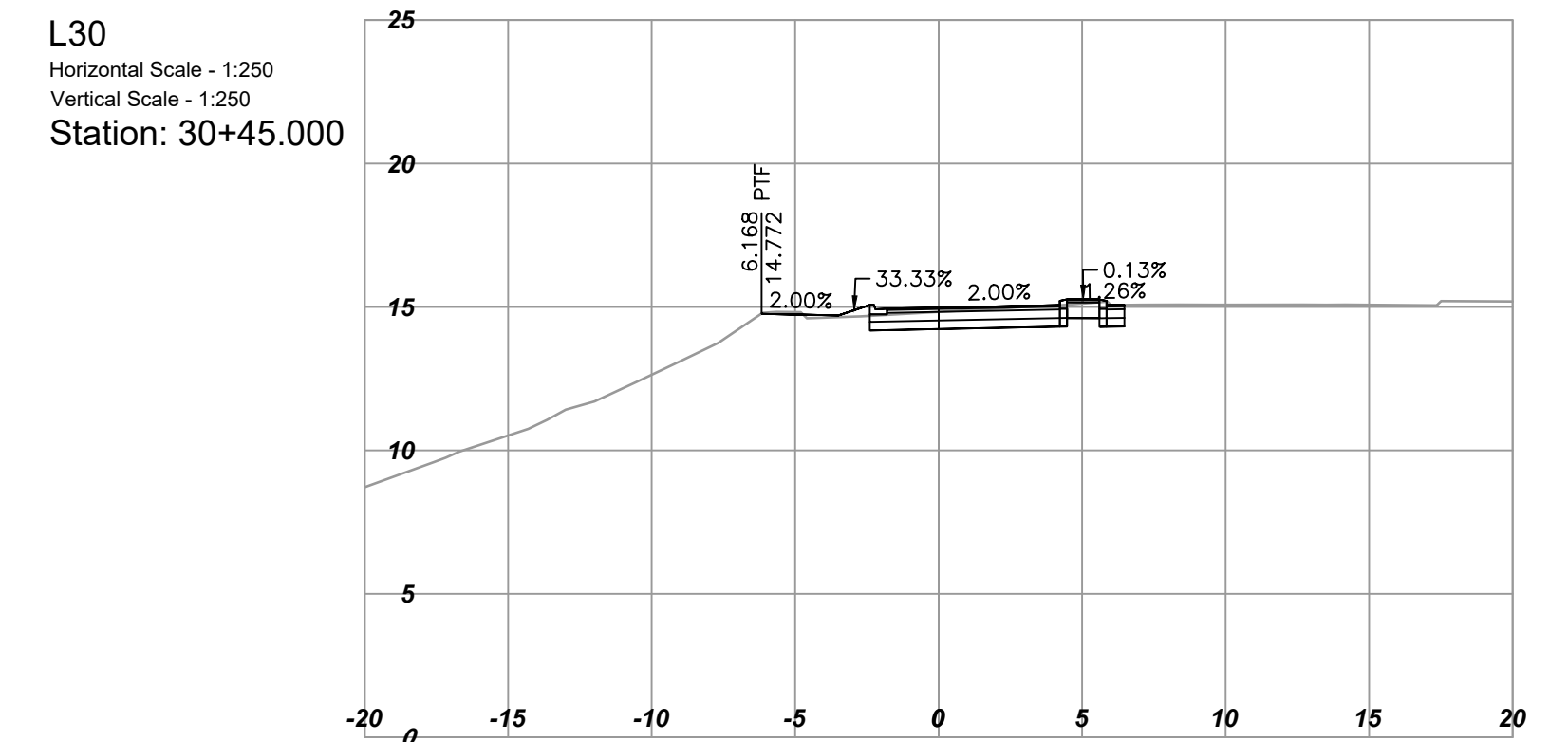
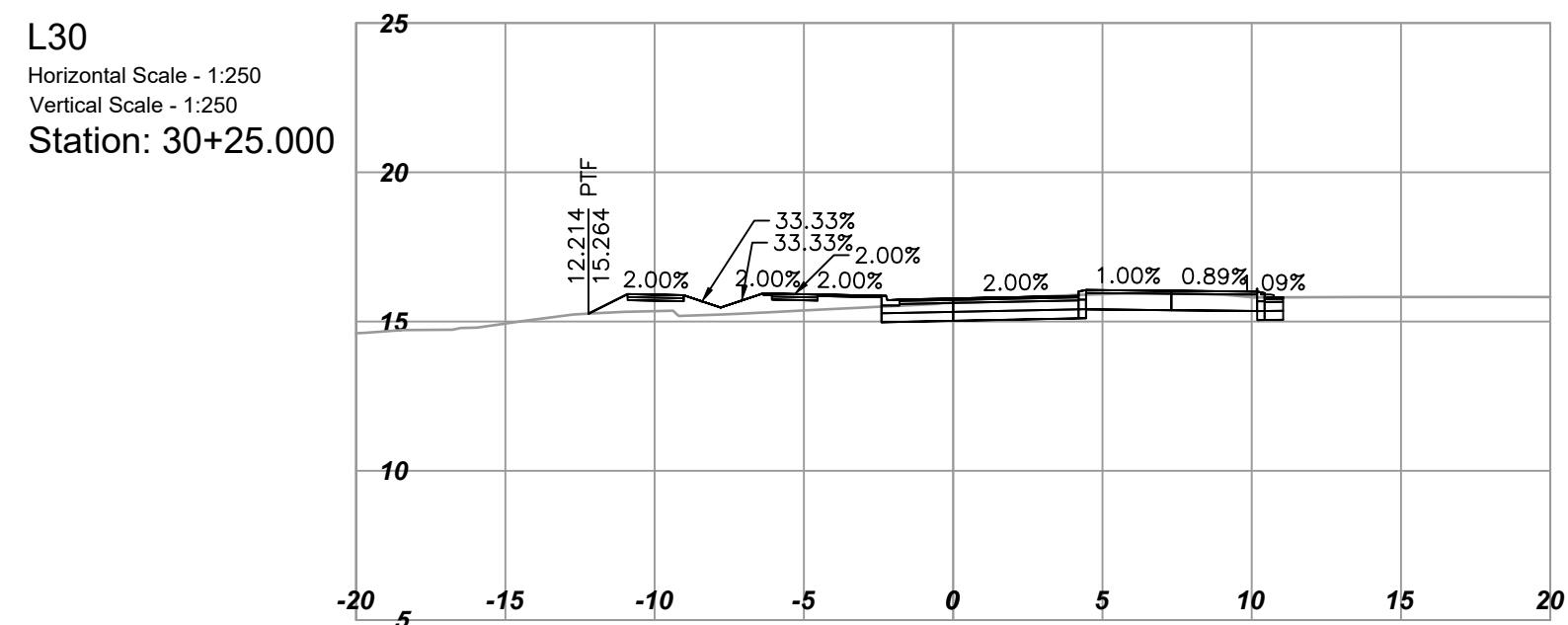
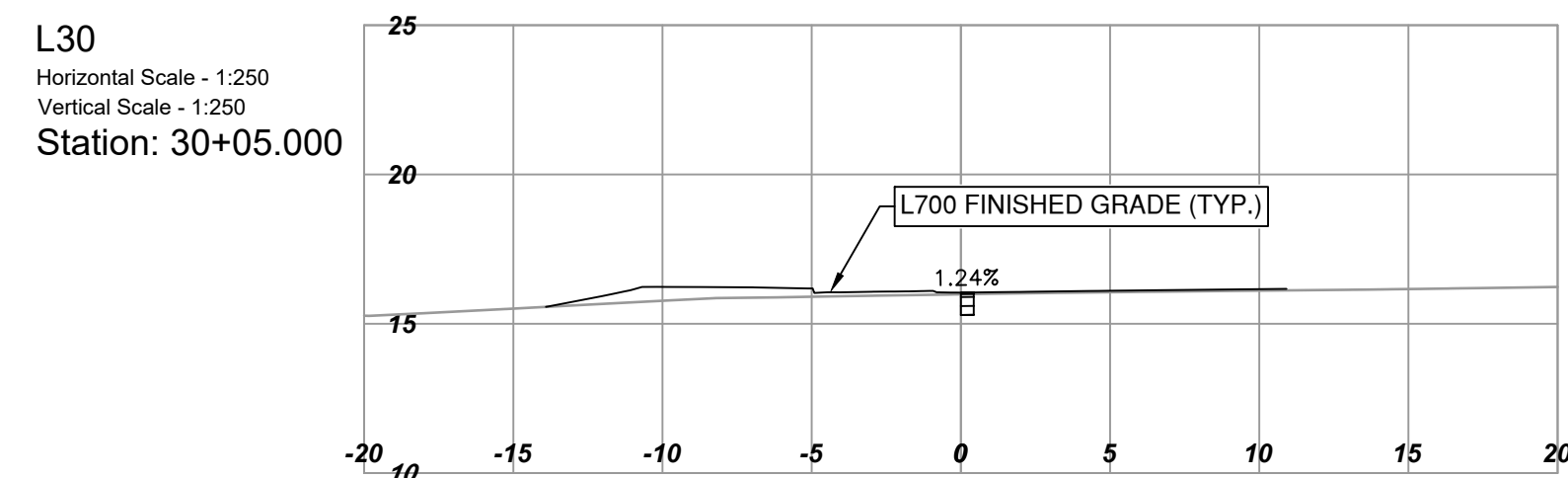
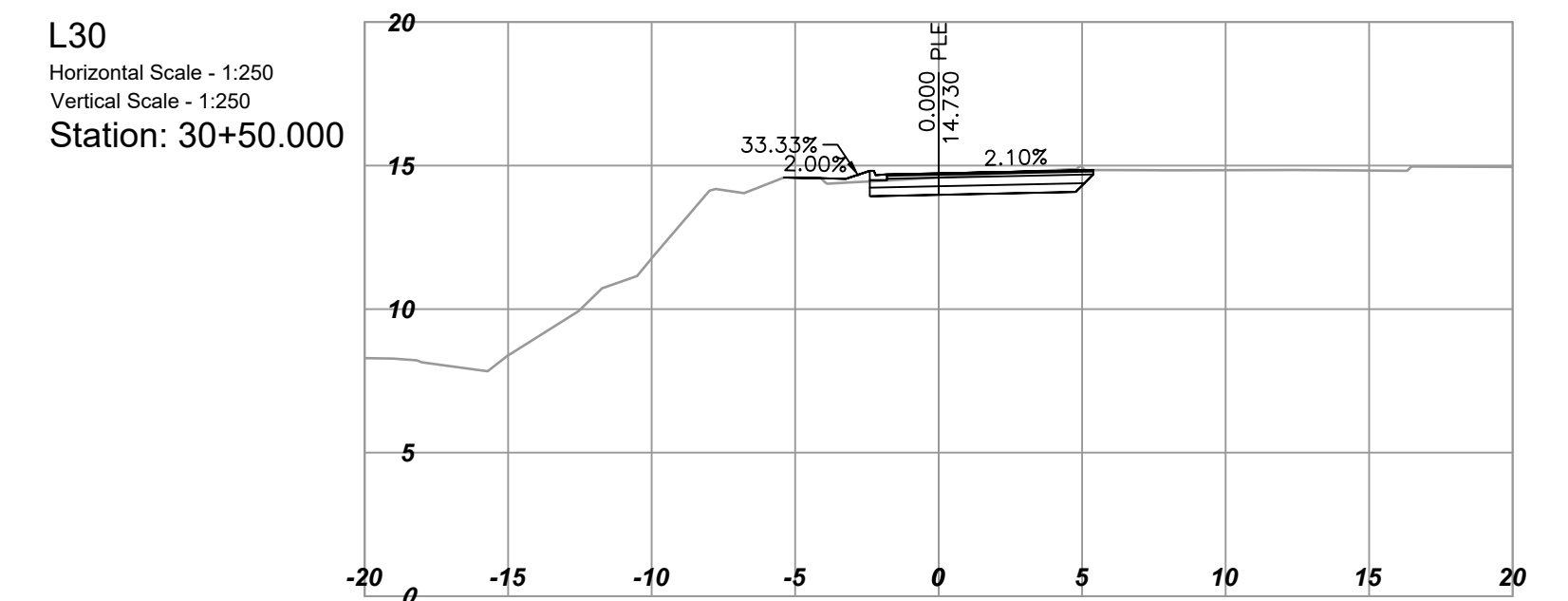
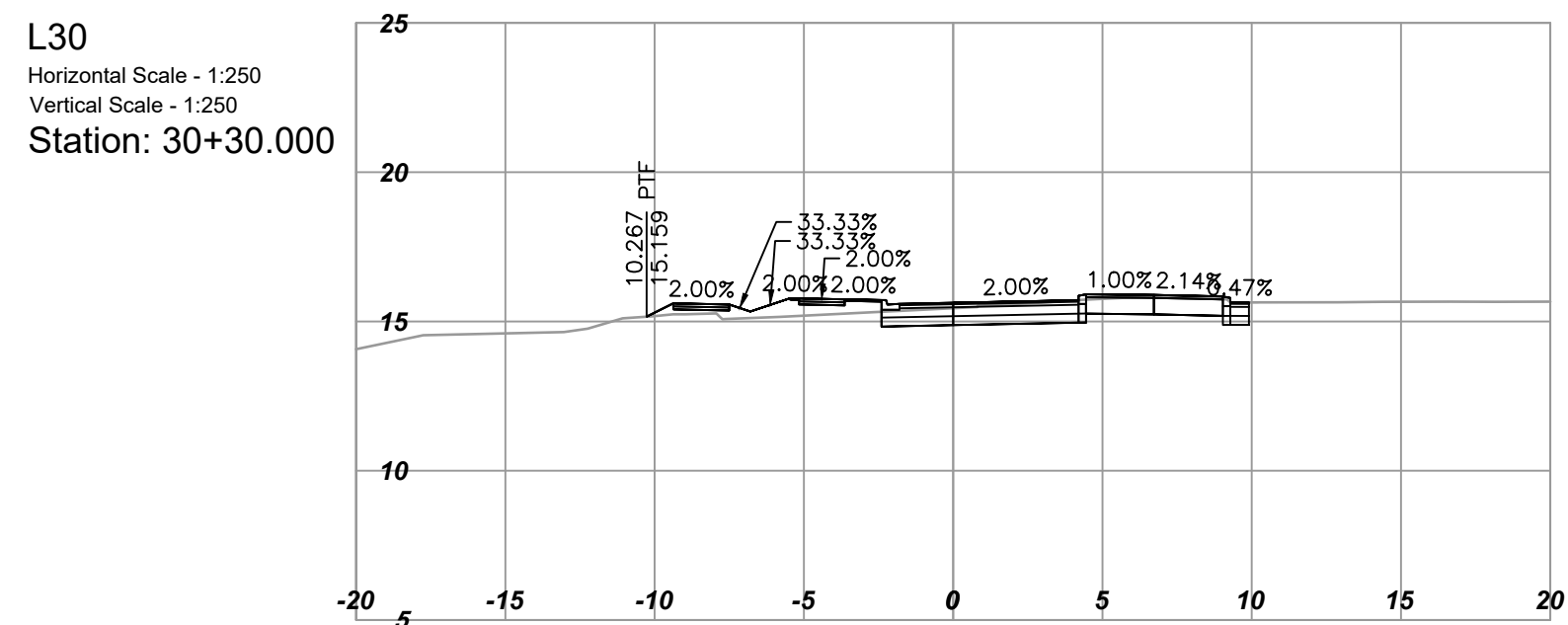
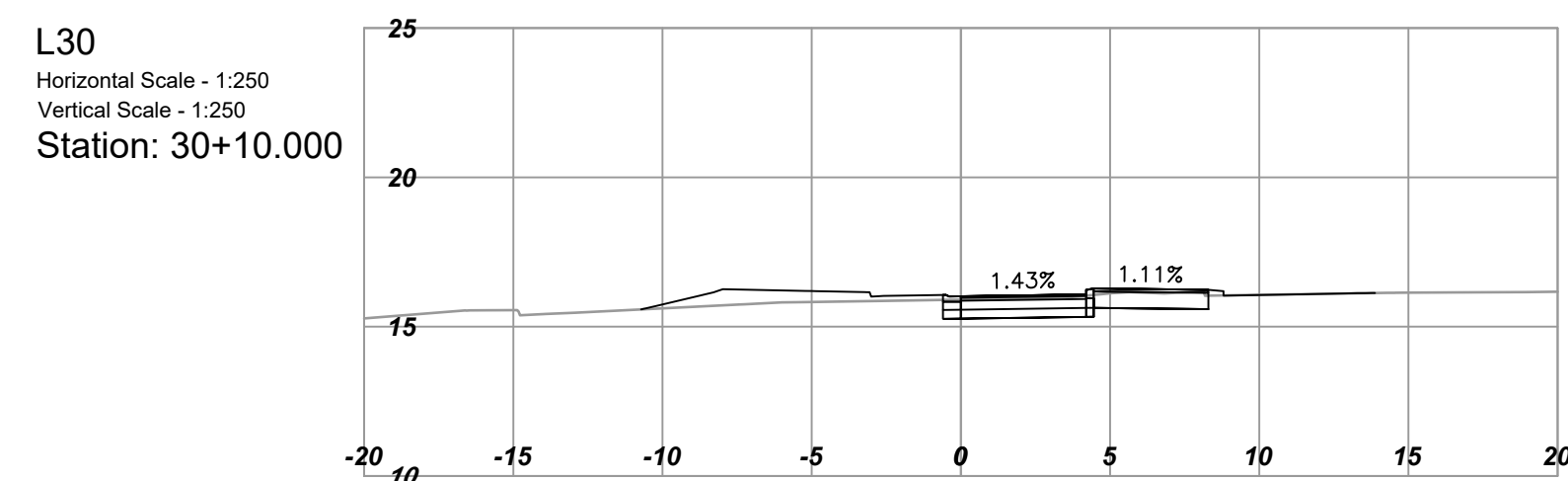
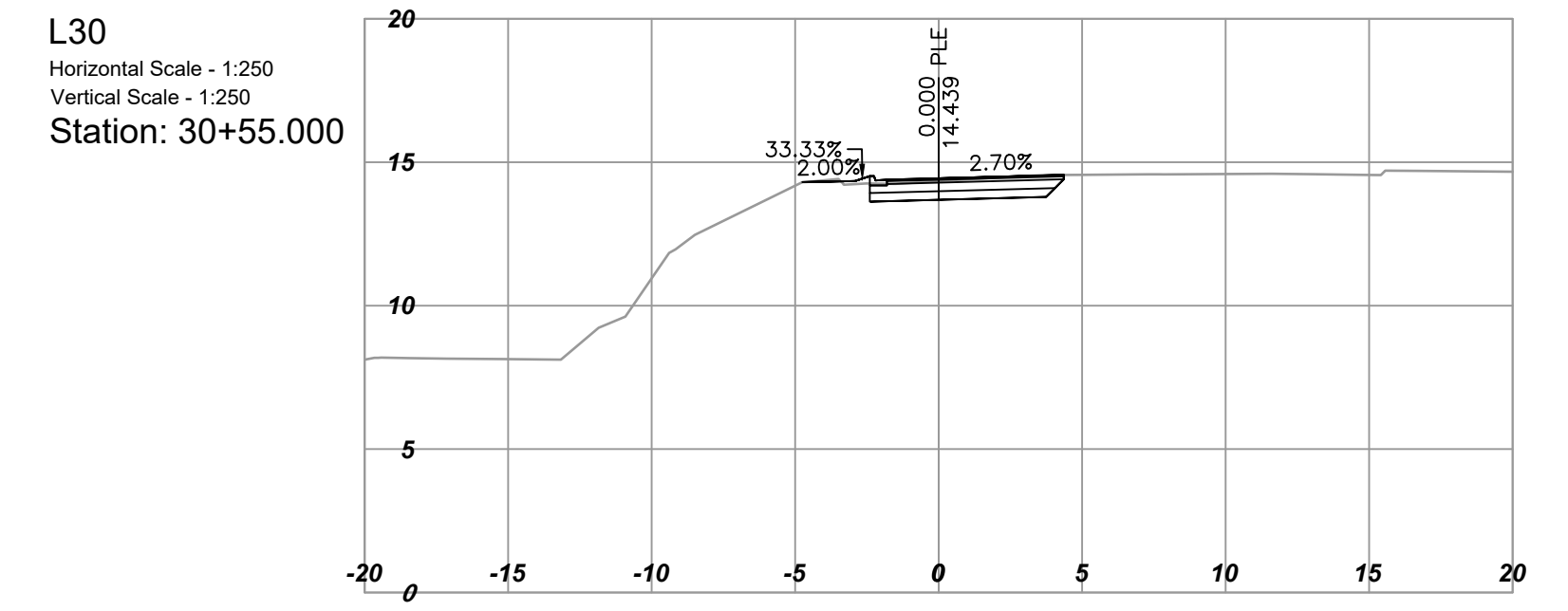
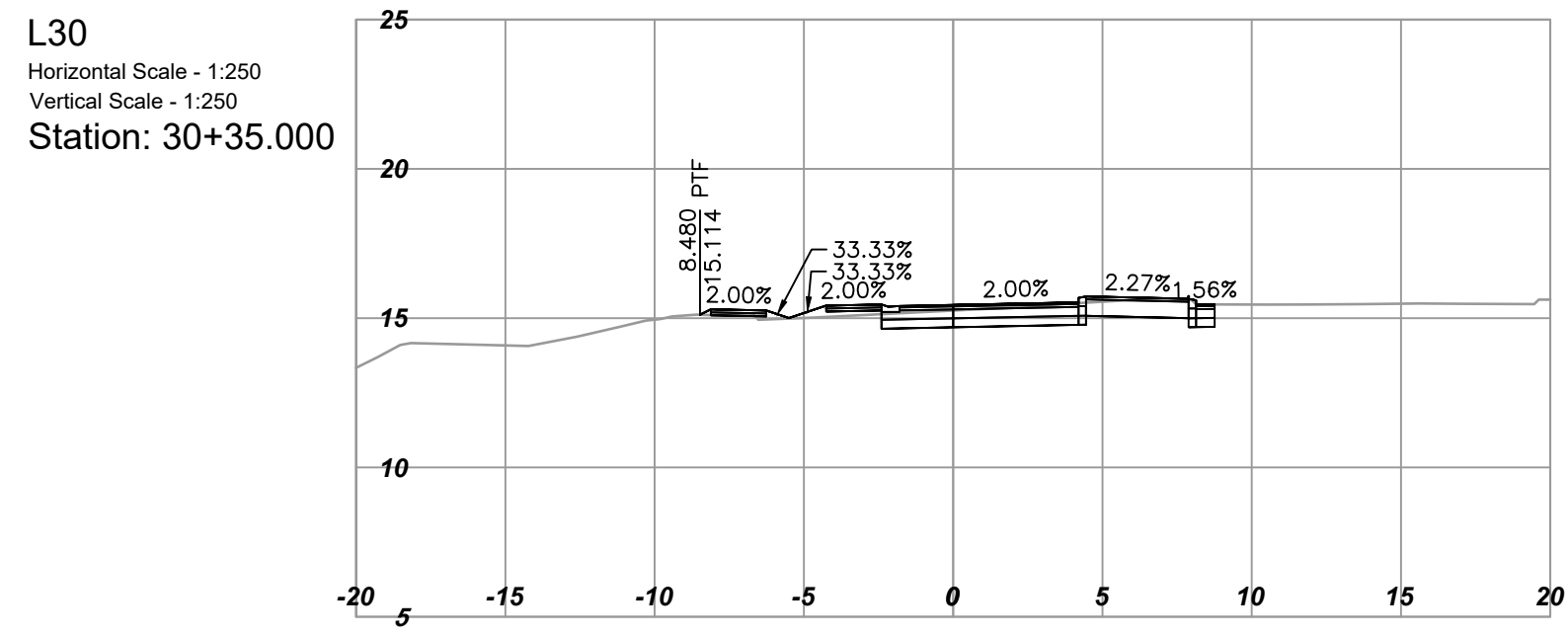
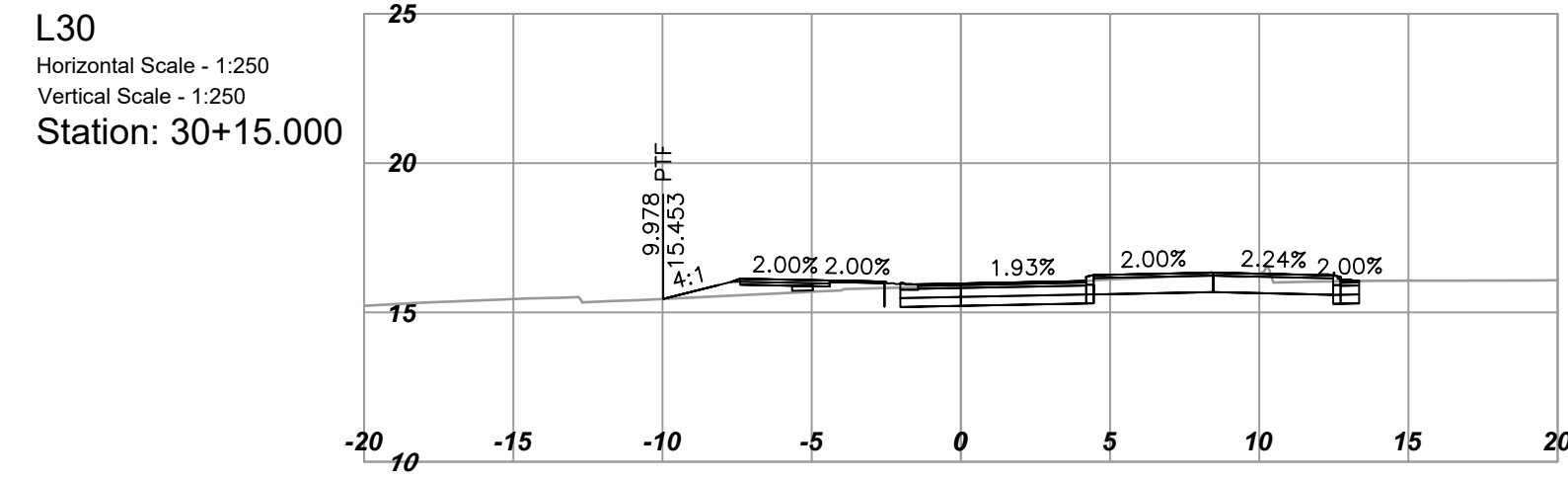
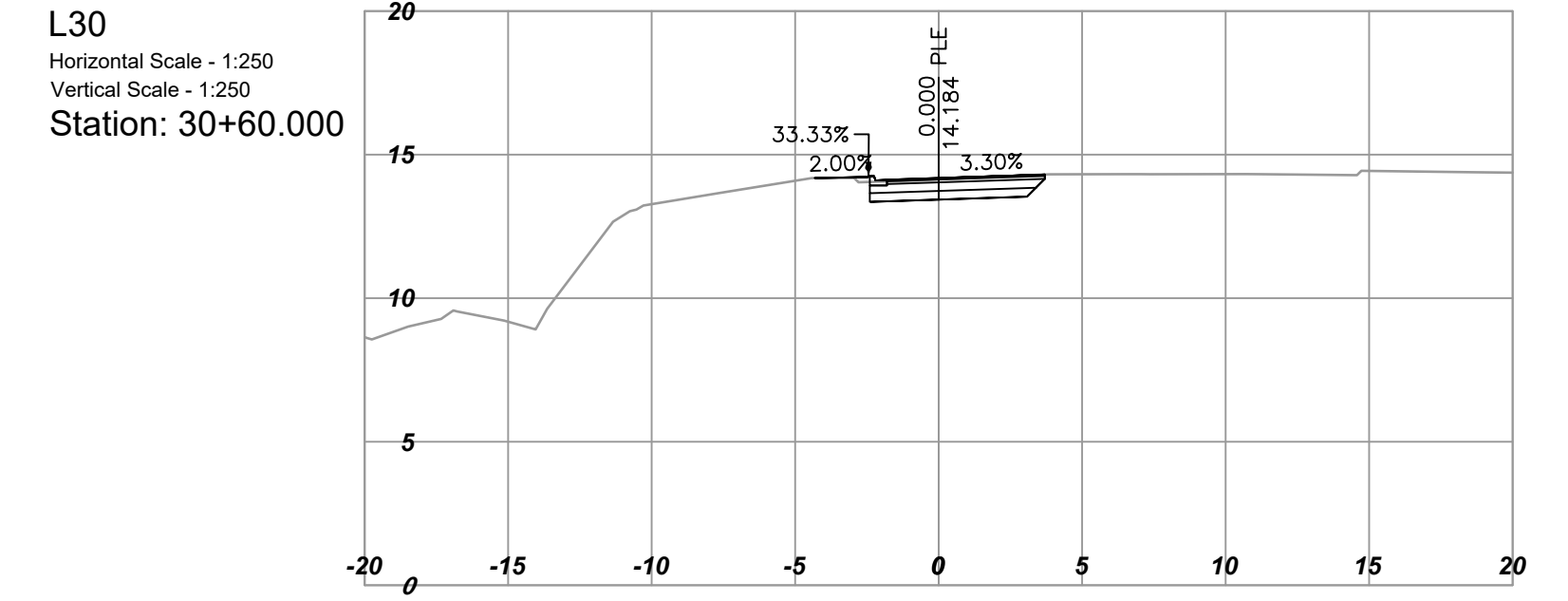
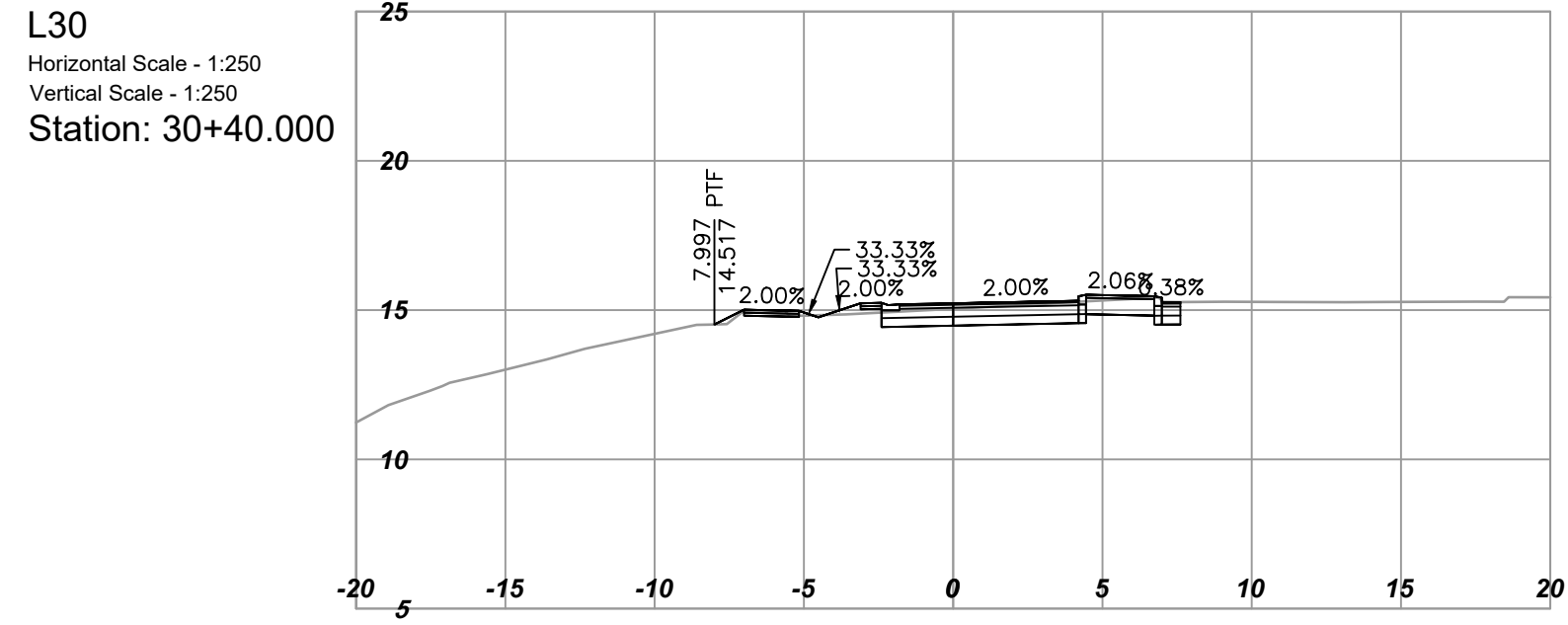
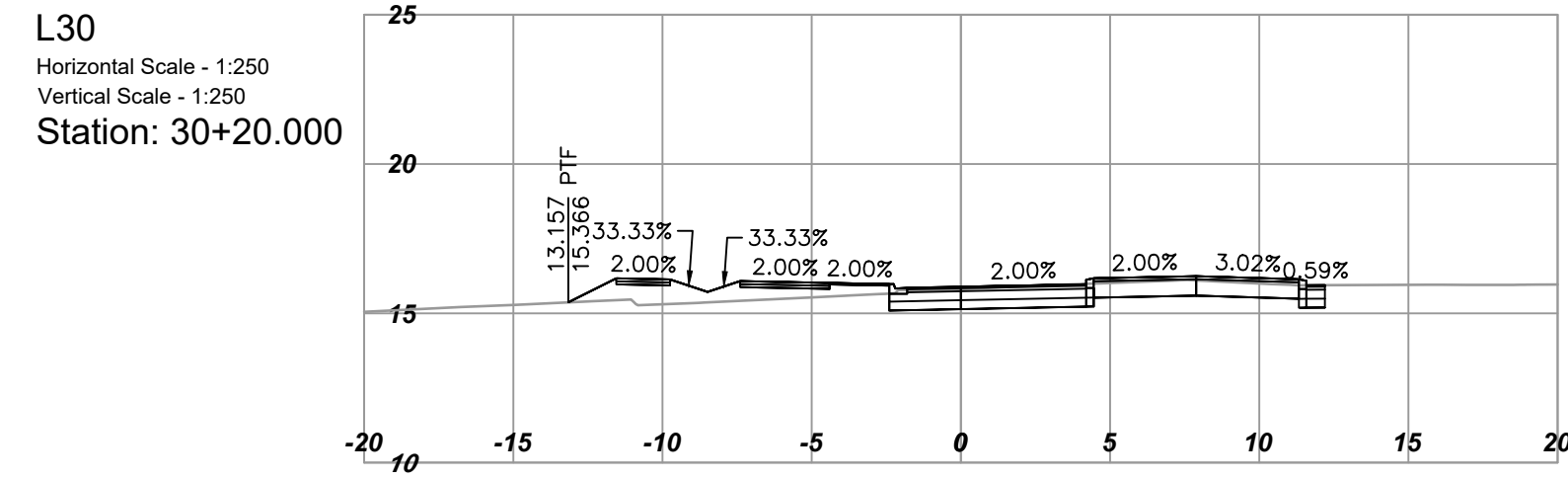


PLOT DATE: 2024-08-29 11:29:04 AM arnis u:\projects_sur\1961\0509\02\Design\CAD\drawingproduction\1000_DesignSections\1000_D_Sections_H1BOS_L30.dwg



REV	DATE	REVISIONS	NAME

BRITISH COLUMBIA
MINISTRY OF TRANSPORTATION AND INFRASTRUCTURE
SOUTH COAST REGION
HIGHWAY ENGINEERING AND GEOMATICS

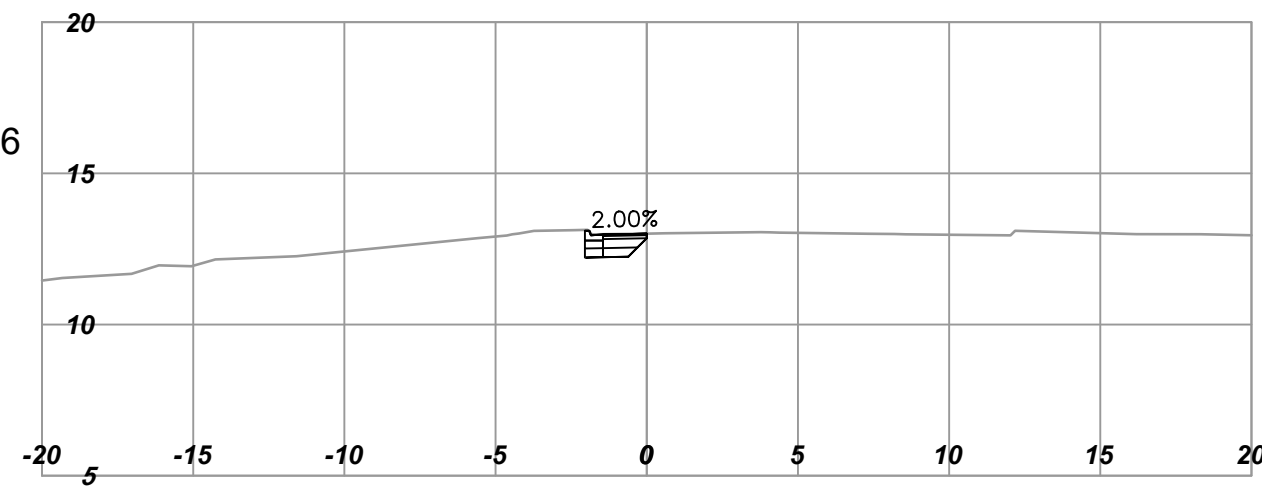
DESIGNED: M. NIKOLICH DATE: 2024-05-24
 QUALITY CONTROL: J. BORCH DATE: 2024-05-24
 FILE NUMBER: 1961.0509.02 QUALITY ASSURANCE: J. BERTONCINI DATE: 2024-05-24
 PLOT DATE: 2024-06-03 DRAWN: J. MCALLISTER DATE: 2024-05-24

DESIGN SECTIONS - L30
HIGHWAY 1 BUS ON SHOULDER
MCKENZIE INTERCHANGE TO COLWOOD INTERCHANGE
STA 30+05 TO STA 30+60

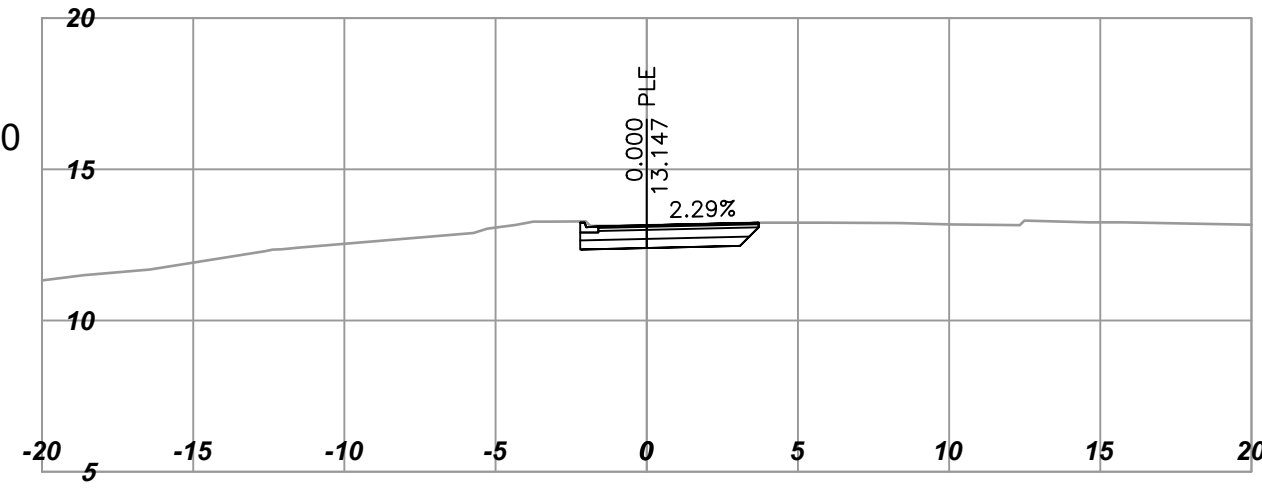
SCALE 0 2 1:250 12m PROJECT NUMBER 17066-0000 REG 1 DRAWING NUMBER R1-1065-1055

PLOT DATE: 2024-08-29 11:29:05 AM arnis u:\projects_sur\1961\0509\02\Design\CAD\drawingproduction\1000_DesignSections\1000_D_Sections_H1BOS_L30.dwg

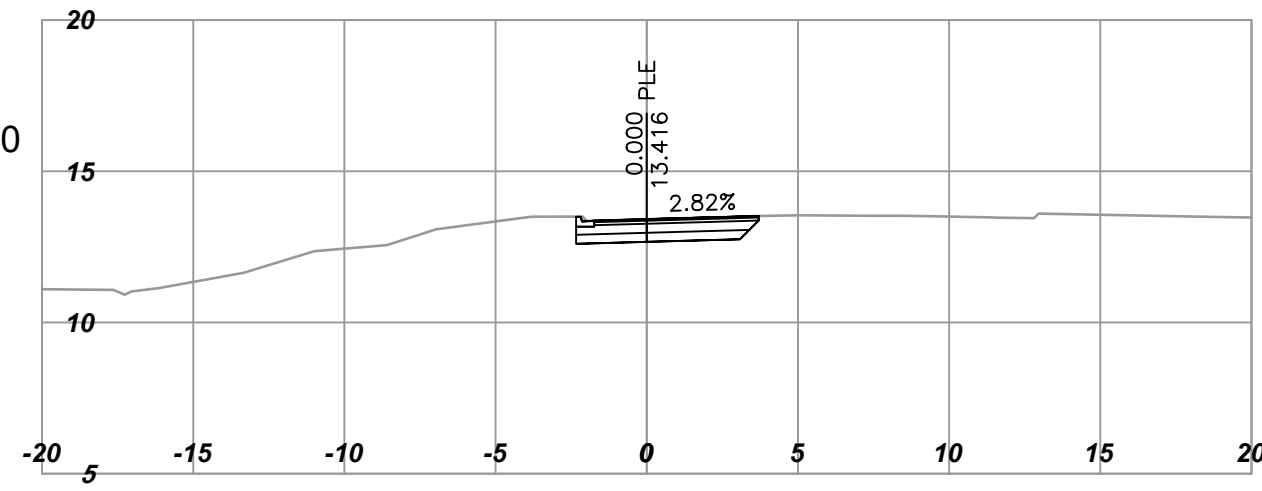
L30
Horizontal Scale - 1:250
Vertical Scale - 1:250
Station: 30+83.466



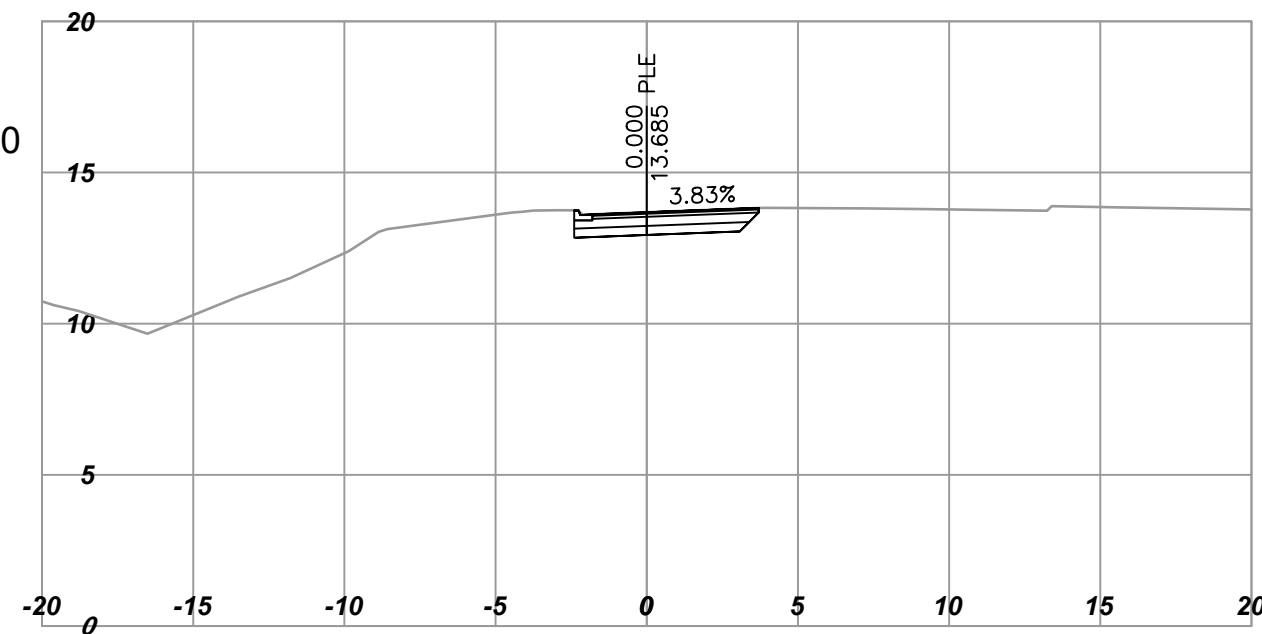
L30
Horizontal Scale - 1:250
Vertical Scale - 1:250
Station: 30+80.000



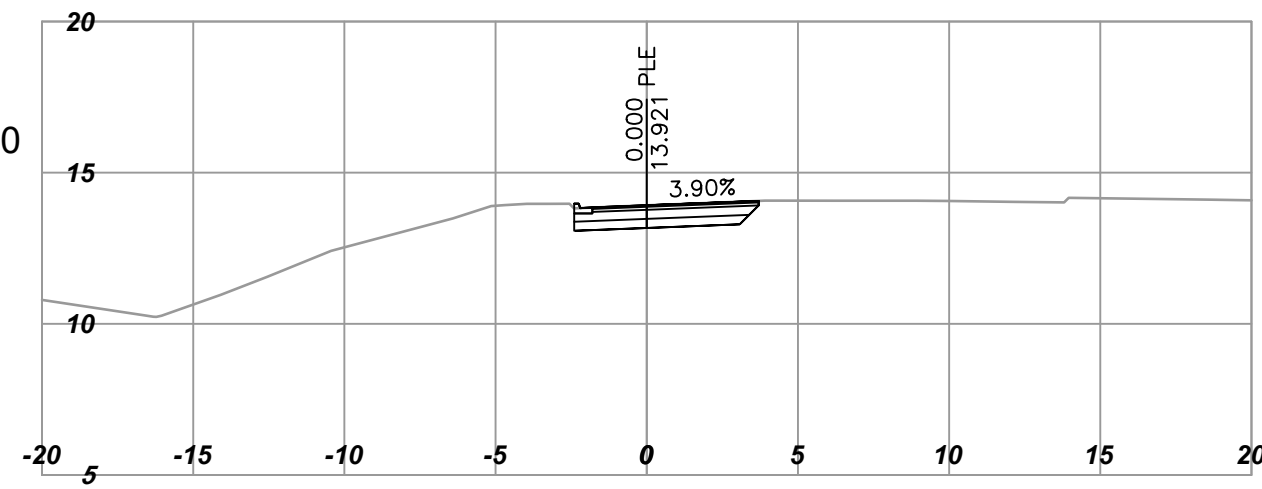
L30
Horizontal Scale - 1:250
Vertical Scale - 1:250
Station: 30+75.000



L30
Horizontal Scale - 1:250
Vertical Scale - 1:250
Station: 30+70.000



L30
Horizontal Scale - 1:250
Vertical Scale - 1:250
Station: 30+65.000



REV	DATE	REVISIONS	NAME



MINISTRY OF TRANSPORTATION AND INFRASTRUCTURE
SOUTH COAST REGION
HIGHWAY ENGINEERING AND GEOMATICS



CAD FILENAME	1000_D_SECTIONS_H1BOS_L30	DESIGNED	M.NIKOLICH	DATE	2024-05-24
FILE NUMBER	1961.0509.02	QUALITY CONTROL	J. BORCH	DATE	2024-05-24
PLOT DATE	2024-06-03	QUALITY ASSURANCE	J. BERTONCINI	DATE	2024-05-24
		DRAWN	J. MCALLISTER	DATE	2024-05-24

DESIGN SECTIONS - L30

HIGHWAY 1 BUS ON SHOULDER
MCKENZIE INTERCHANGE TO COLWOOD INTERCHANGE

STA 30+65 TO STA 30+83.406

SCALE 0 2 1:250 12m	PROJECT NUMBER 17066-0000	REG 1	DRAWING NUMBER R1-1065-1056	REV
------------------------	------------------------------	----------	--------------------------------	-----