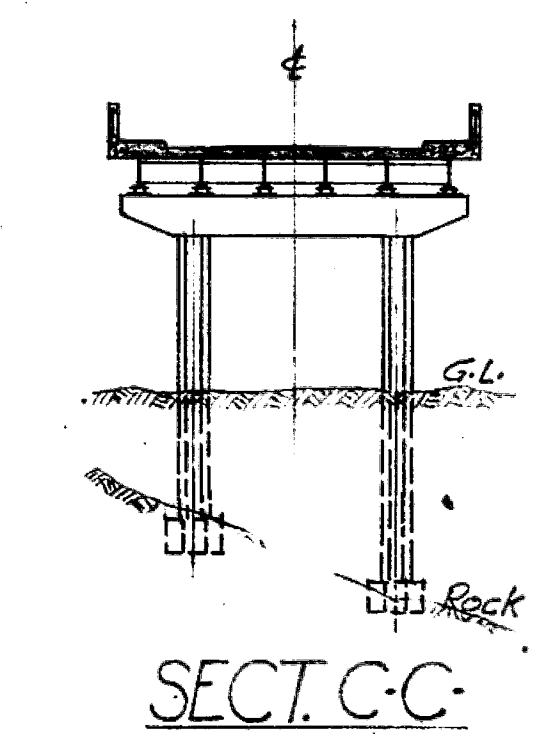
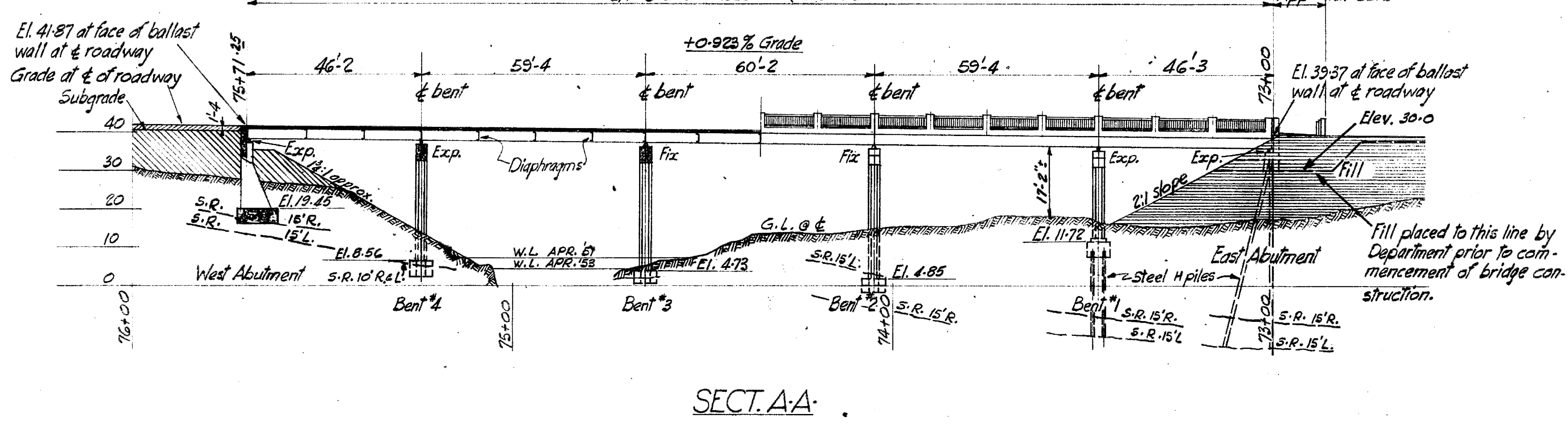
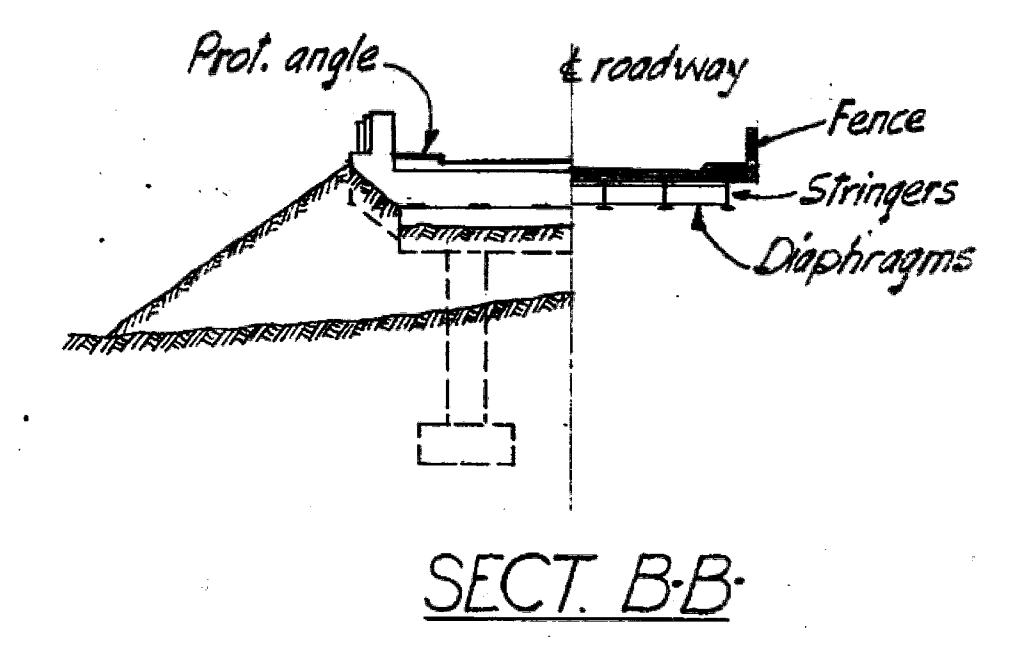
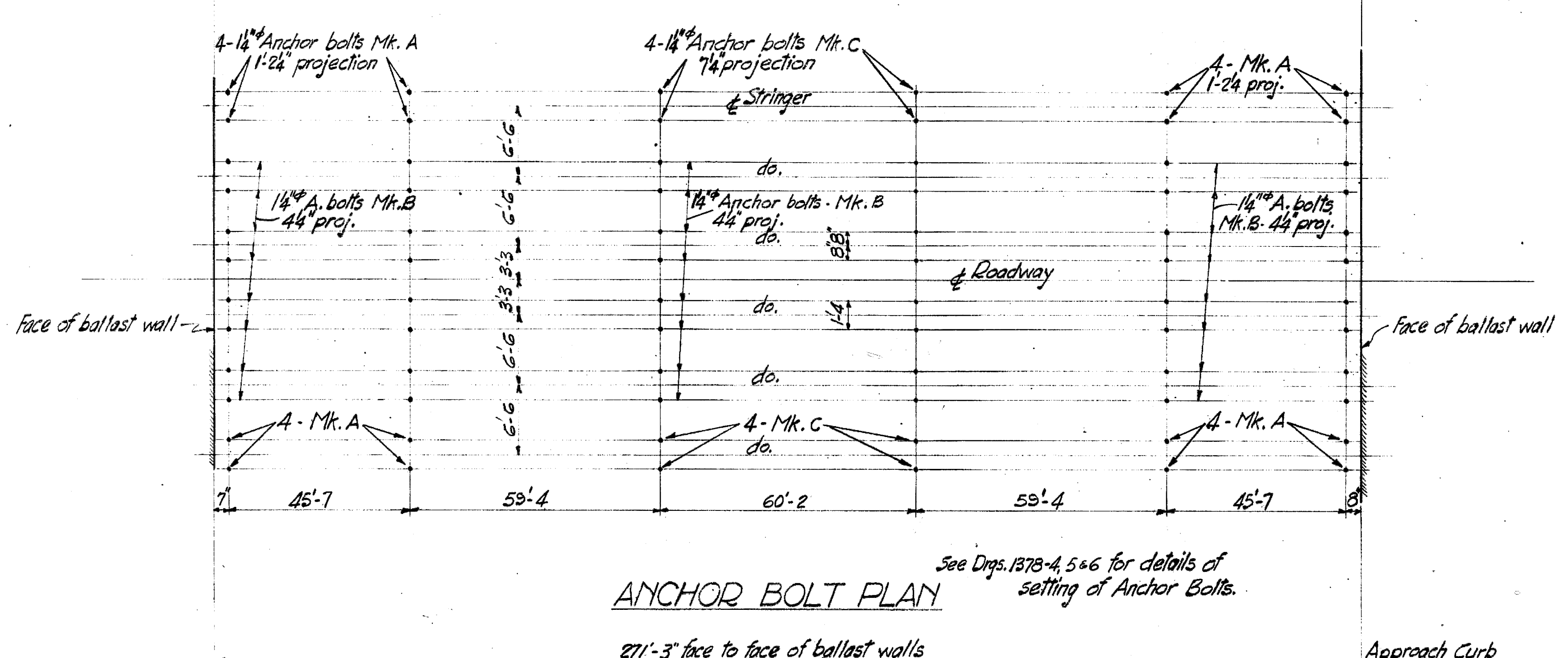


LIST OF DRAWINGS

DRG. NO.	TITLE
1378-3	Layout, Key Map & Anchor Bolt Plan.
-4	West Abutment
-5	East Abutment
-6	Bents #2 & 3
-7	Bents #1 & 4
-8	Steelwork Details
-9	Deck Details
-10	Anchor Bolt Assemblies
1810 597-7	Std. Roadway Fence



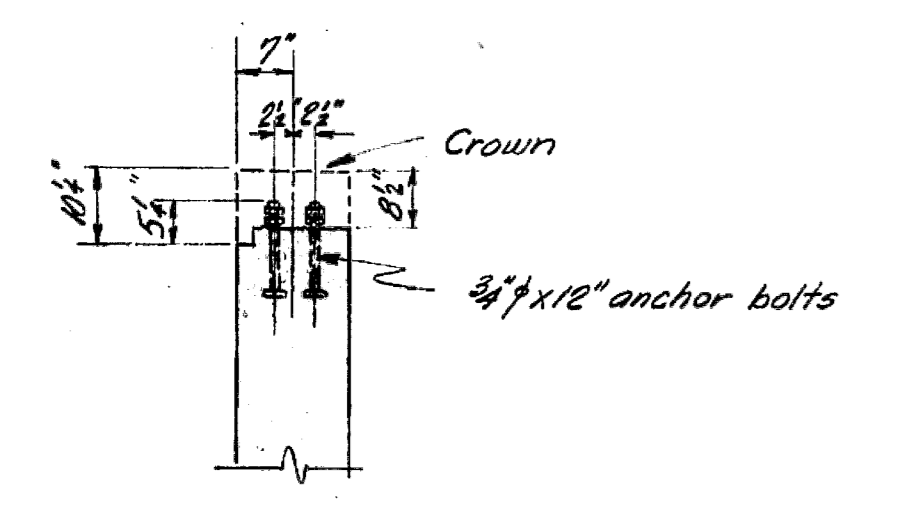
SAANICH DISTRICT
TRANS-CANADA HIGHWAY-MILE 1-4
COLQUITZ RIVER BRIDGE
LAYOUT, KEY MAP & ANCHOR BOLT PLAN
SCALE: 1" = 20' 0" & AS NOTED

REVISIONS			
Rev.	Particulars	Init.	Date
A	10' added to centre span	GED	Nov. 1952
B	As built	AW	Apr. 1954

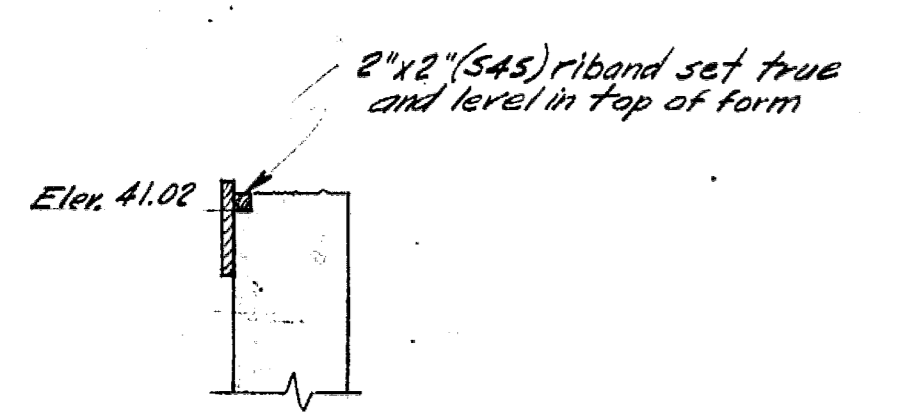
GOVT. OF BRITISH COLUMBIA DEPT. OF PUBLIC WORKS BRIDGE ENGINEER'S OFFICE			
Init.	Date	DRAWING NO.	
Made by	J. O. Coe	452	
Checked by	KW	Apr. 24, 1954	
Total		1378-3	

Note:
Spec: Dept of Public Works & Trans-Canada.
Live Load: H20-316.

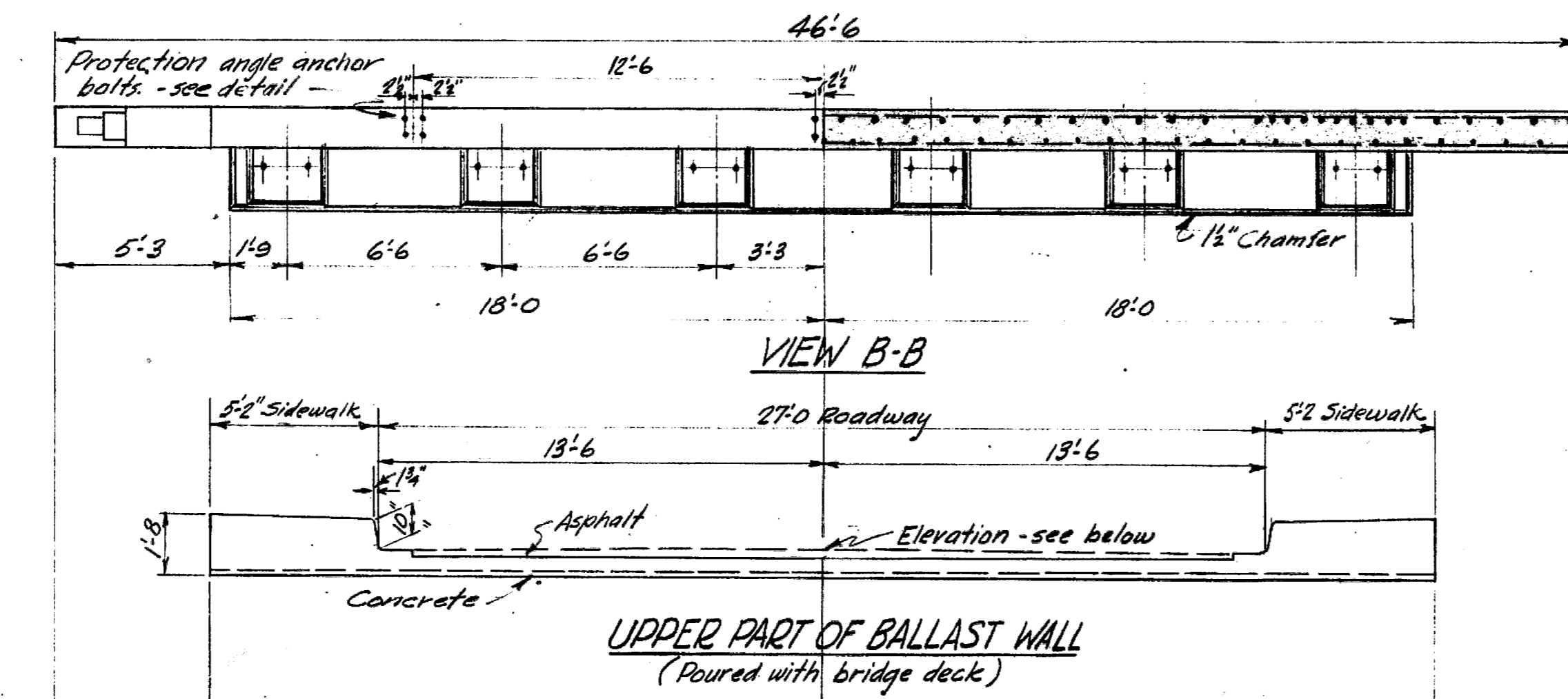
LIST OF REINFORCING					
LOCATION	LENGTH	SIZE	NO	MK.	BENDING
Footings	10'-0"	#5	14	A	
	9'-6"	#5	32	B	
	12'-6"	#5	14	C	
Bridge Seat Ties		#4	49	T1	
Columns	10'-0"	#7	10	Straight bars	
	15'-0"	#7	18		
	21'-3"	#7	4		
	22'-0"	#7	12		
	27'-3"	#7	4		
Back of Ballast Wall	7'-8"	#4	37	Straight bars	
Footings Stubs	6'-0"	#7	48	Straight bars	
Horiz. Bars in Wing Post	9'-3"	#5	8	Straight bars	
Bridge Seat	19'-3"	#9	40	Straight bars	
Ballast Wall	24'-9"	#7	14	Straight bars	
	1300	#4		Lin. ft. straight bars	
	40	#3		Lin. ft. straight bars	
*15 gauge black annealed wire = 80 lbs.					
Total Weight = 8050 lbs.					



PROTECTION ANGLE ANCHOR BOLT SETTING
Scale: 1/2" = 1'-0"

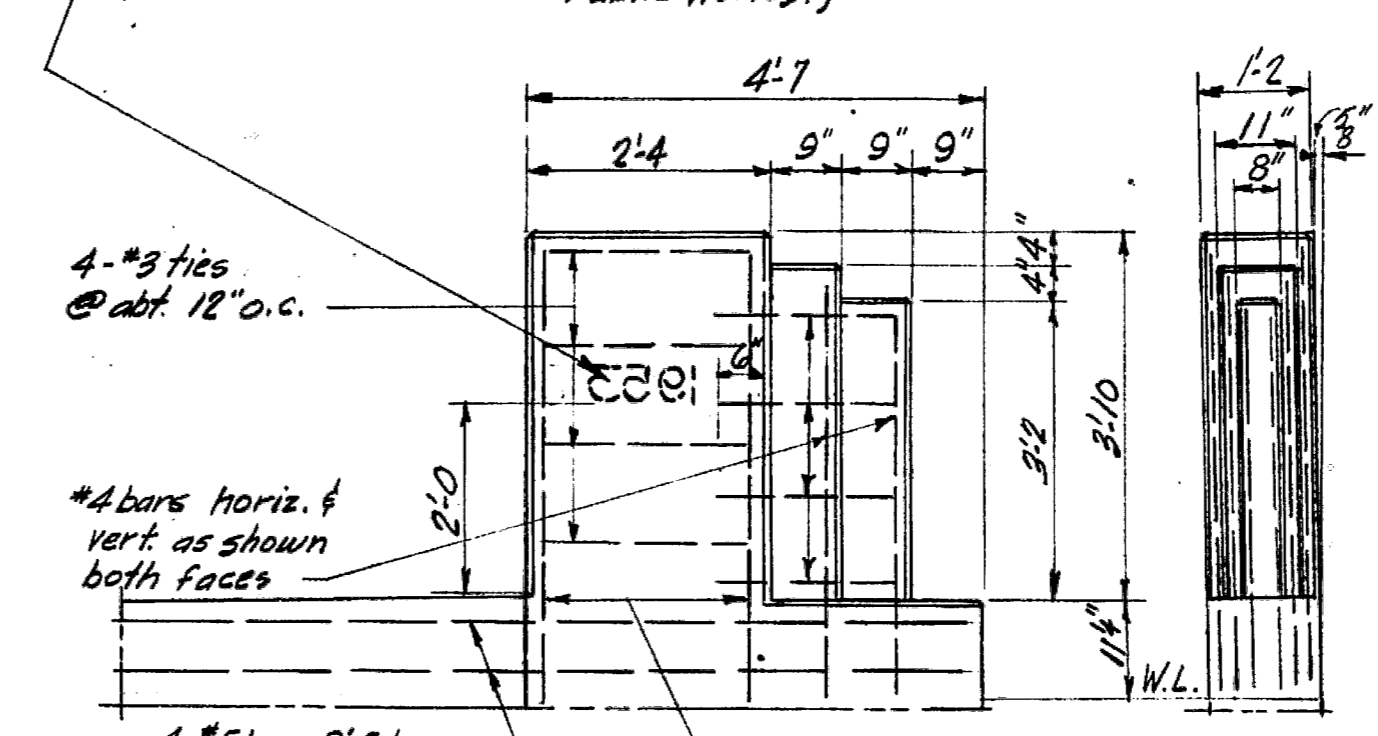


DETAIL OF FORMING AT FRONT OF BALLAST WALL
Scale: 1/2" = 1'-0"

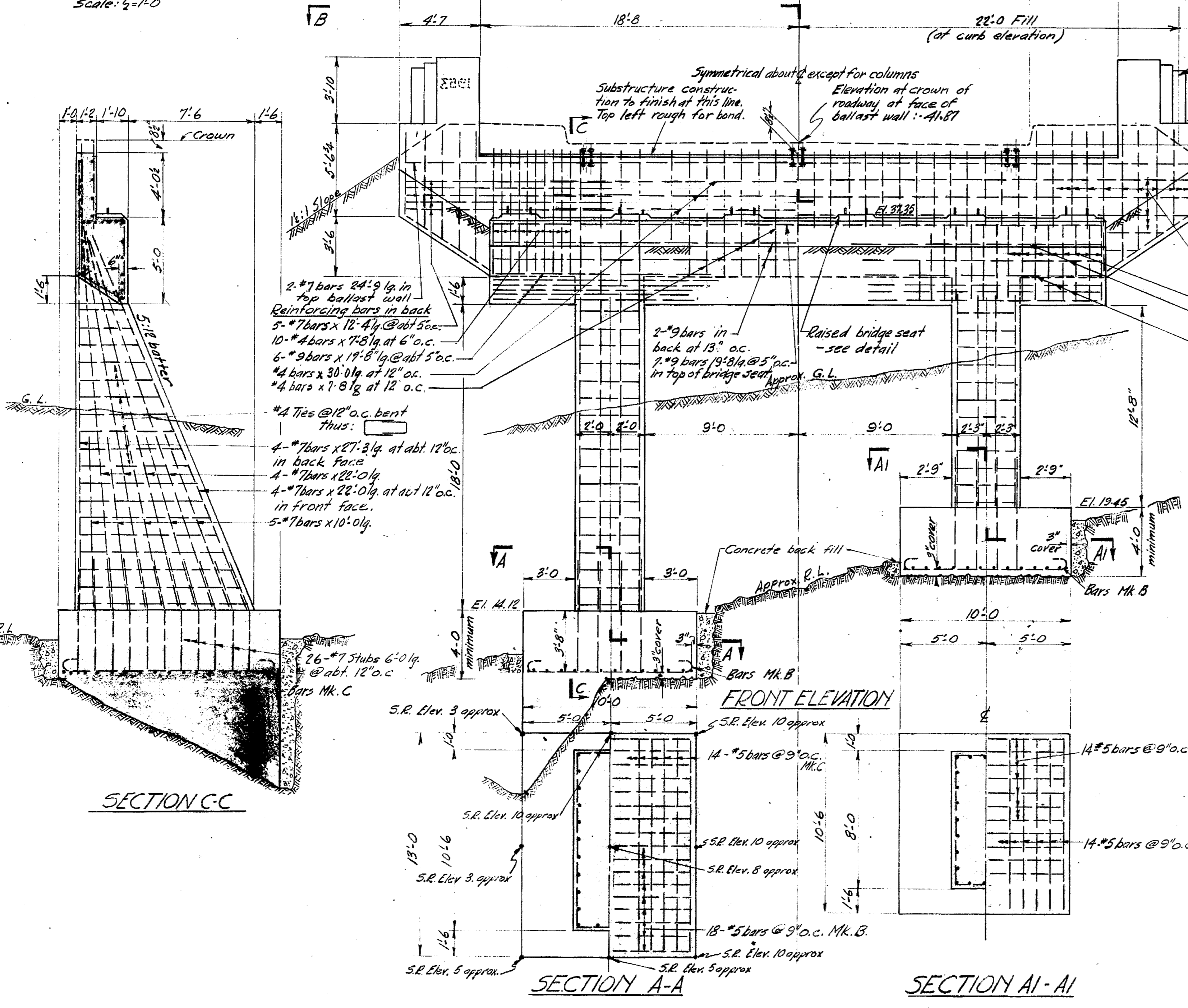


UPPER PART OF BALLAST WALL
(Poured with bridge deck)

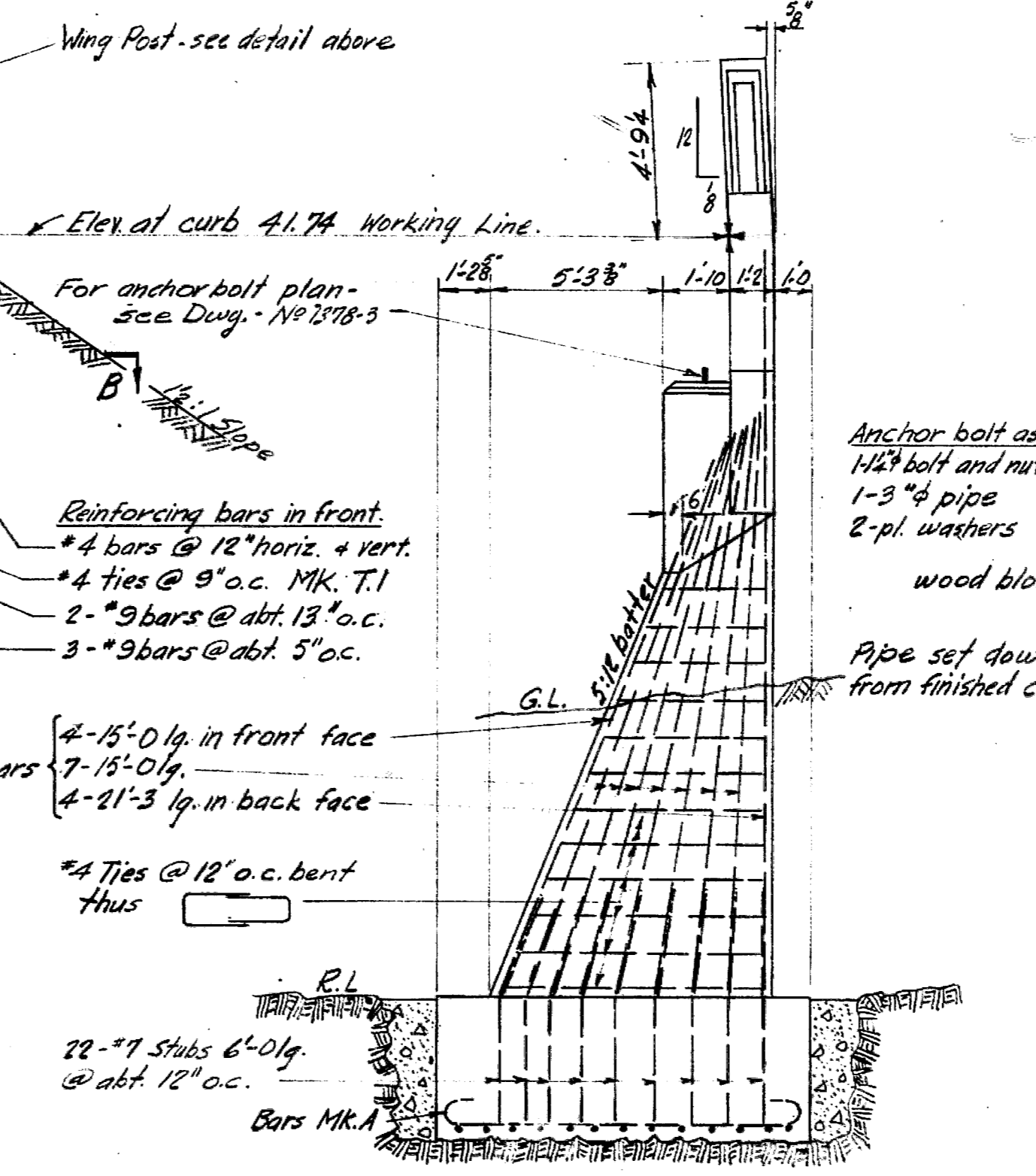
Year of construction cast in 5" high numerals on rear face of right hand post only of each approach (Numerals loaned by Dept. of Public Works.)



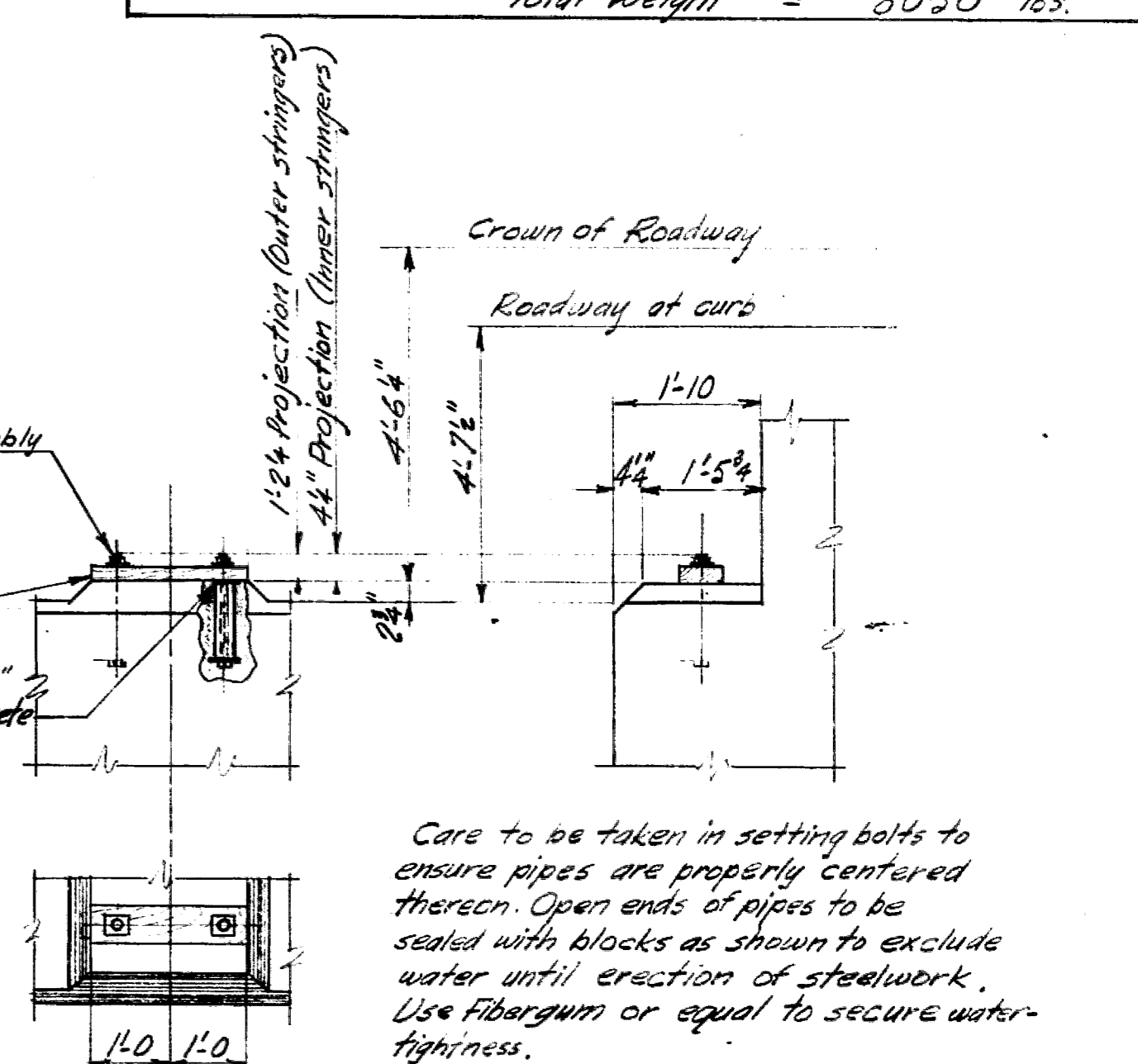
FRONT ELEVATION WING POST
Scale: 1/2" = 1'-0"



FRONT ELEVATION



SIDE ELEVATION



RAISED BRIDGE SEAT
Scale: 1/2" = 1'-0"

- Notes:**
- Concrete to be class "A" throughout.
 - Exposed edges to be chamfered 1" except where otherwise noted.
 - Footings to be carried down to elevation shown or to such lower elevations as may be ordered by the Engineer.
 - Anchor bolt pipes to be filled with sand-cement grout by steelwork erector immediately before placing stringers in final position.
 - All reinforcing to have 2" cover except where noted.
 - Bars to be lapped 40 diameters at splices.

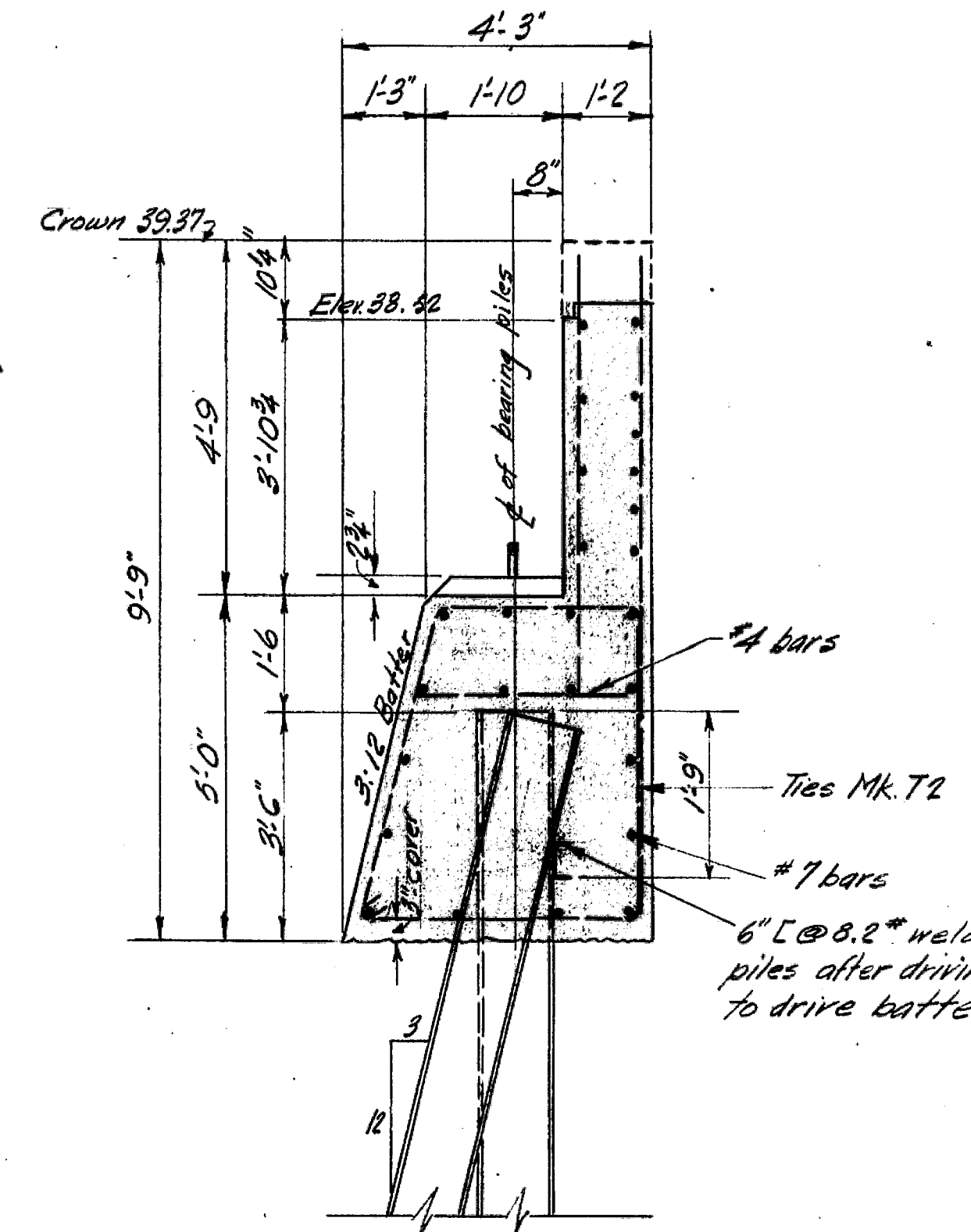
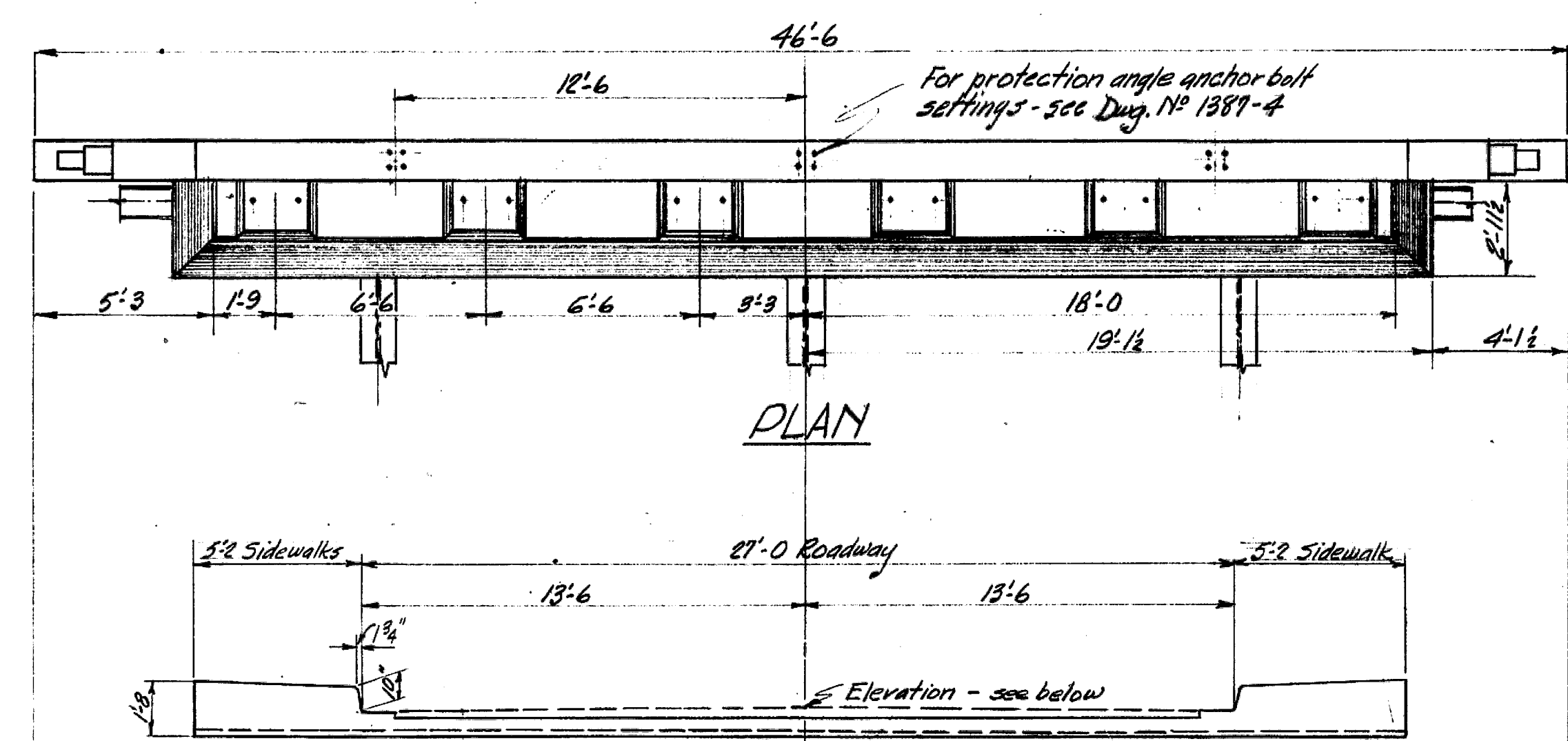
Estimated conc. quantities: Class "A" = 91 cu. yds.

**SAANICH DISTRICT
TRANS-CANADA HIGHWAY - MILE 1.4
COLQUITZ RIVER BRIDGE
WEST ABUTMENT
SCALE: 1/2" = 1'-0" & AS NOTED**

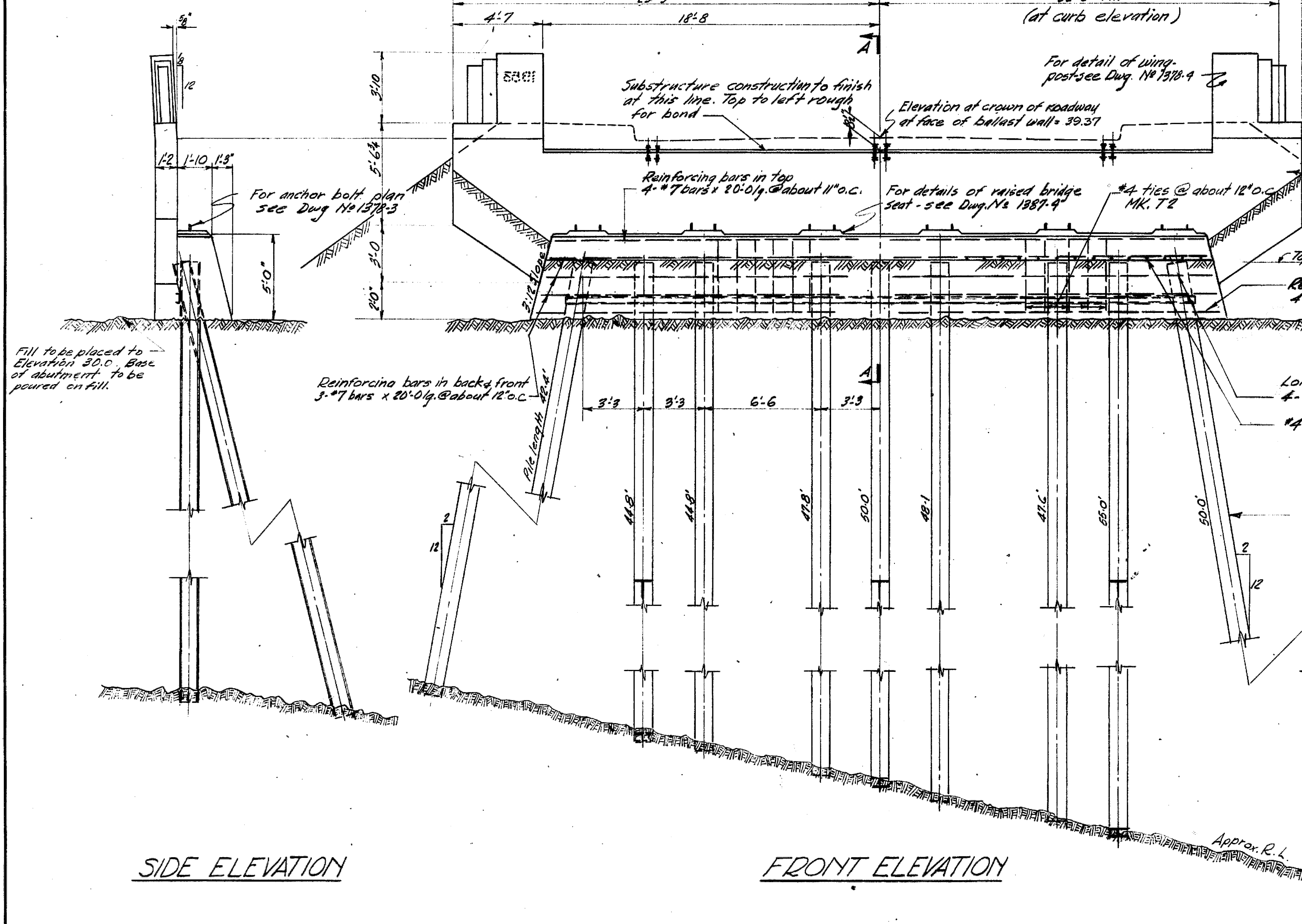
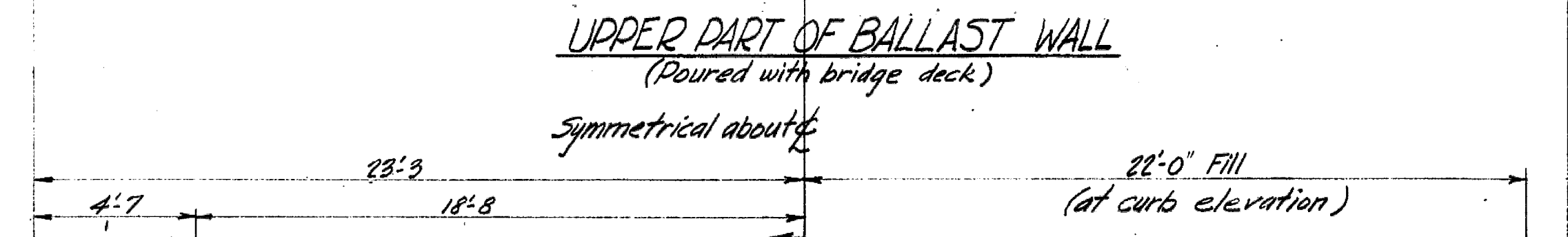
REVISIONS			
Rev.	Particulars	Init.	Date
A	Ballast wall reinforcing	RLD	Dec 7/52
B	As built	RLD	Aug 4/53

GOVT. OF BRITISH COLUMBIA DEPT. OF PUBLIC WORKS BRIDGE ENGINEER'S OFFICE			
Made by	Init.	Date	DRAWING NO.
R.L.D.	RLD	Mar 24/53	BRIDGES
Checked by	RLD	Apr 2/53	1378-4

LIST OF REINFORCING					
LOCATION	LENGTH	SIZE	NO	MARK.	BENDING
Bridge seat ties		#4	34	T2	
Back of Ballast Wall	8'-7"	#4	31		Straight bars
Horiz. bars in Wing Posts	9'-3"	#5	8		Straight bars
Horiz. bars over piling	3'-0"	#4	38		Straight bars
Ballast Wall	24'-9"	#7	14		Straight bars
Bridge Seat	20'-0"	#7	34		Straight bars
	650	#4			Lin. ft. Straight bars
	40	#3			Lin. ft. Straight bars
					#5 gauge black annealed wire - 30 lbs
					Total weight = 3250 lbs

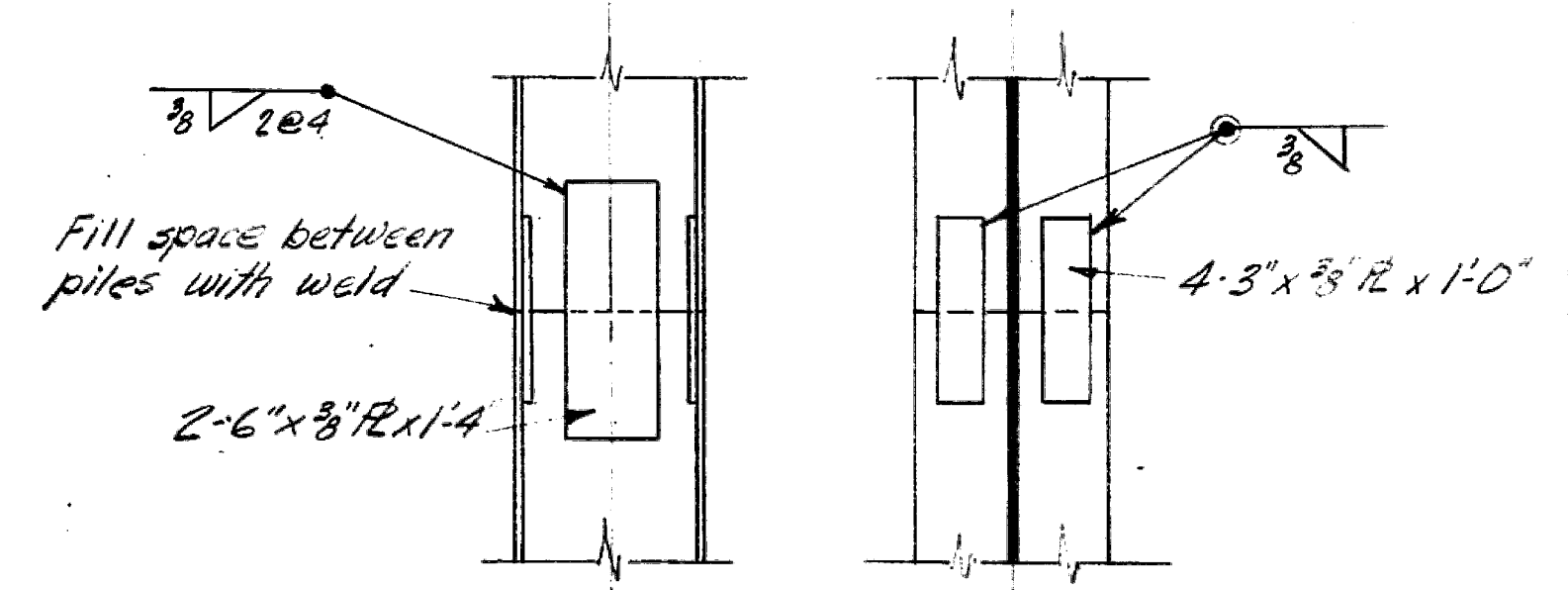


SECTION A-A
Scale: 1/2" = 1'-0"



SIDE ELEVATION

FRONT ELEVATION



DETAIL OF PILE SPLICE
Scale: 1" = 1'-0"

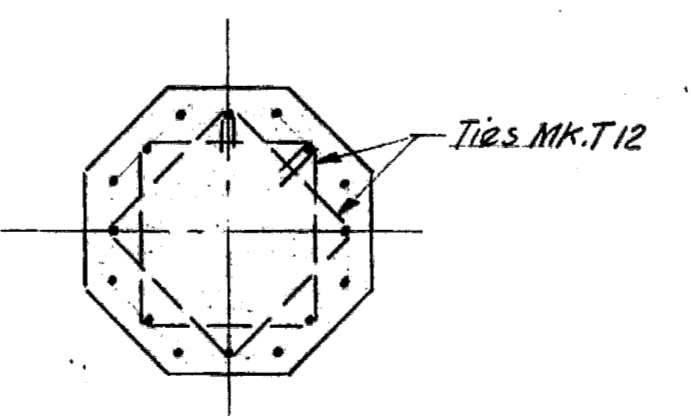
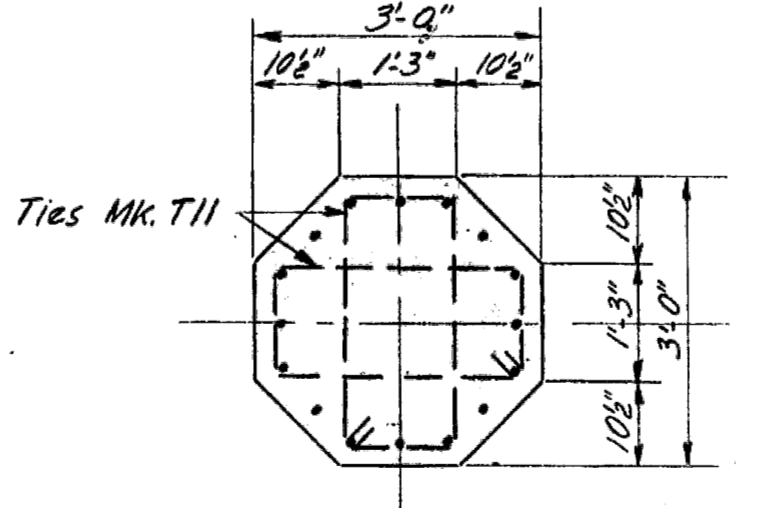
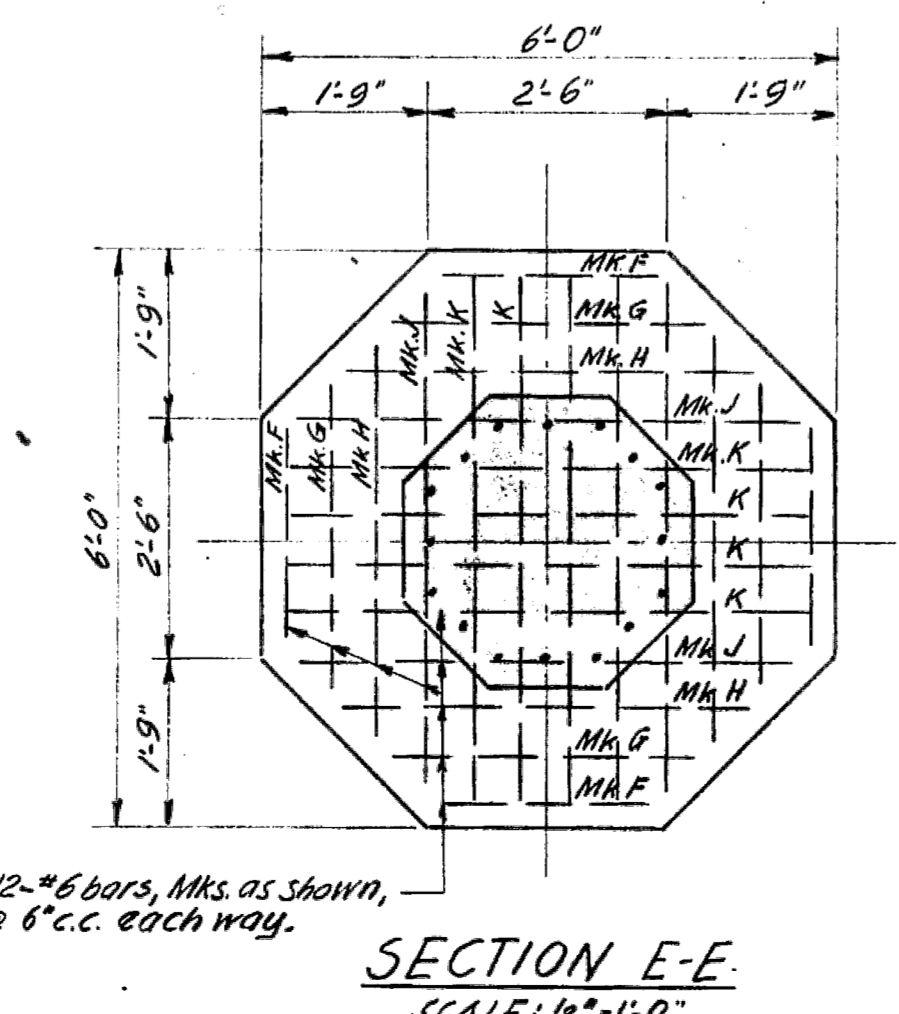
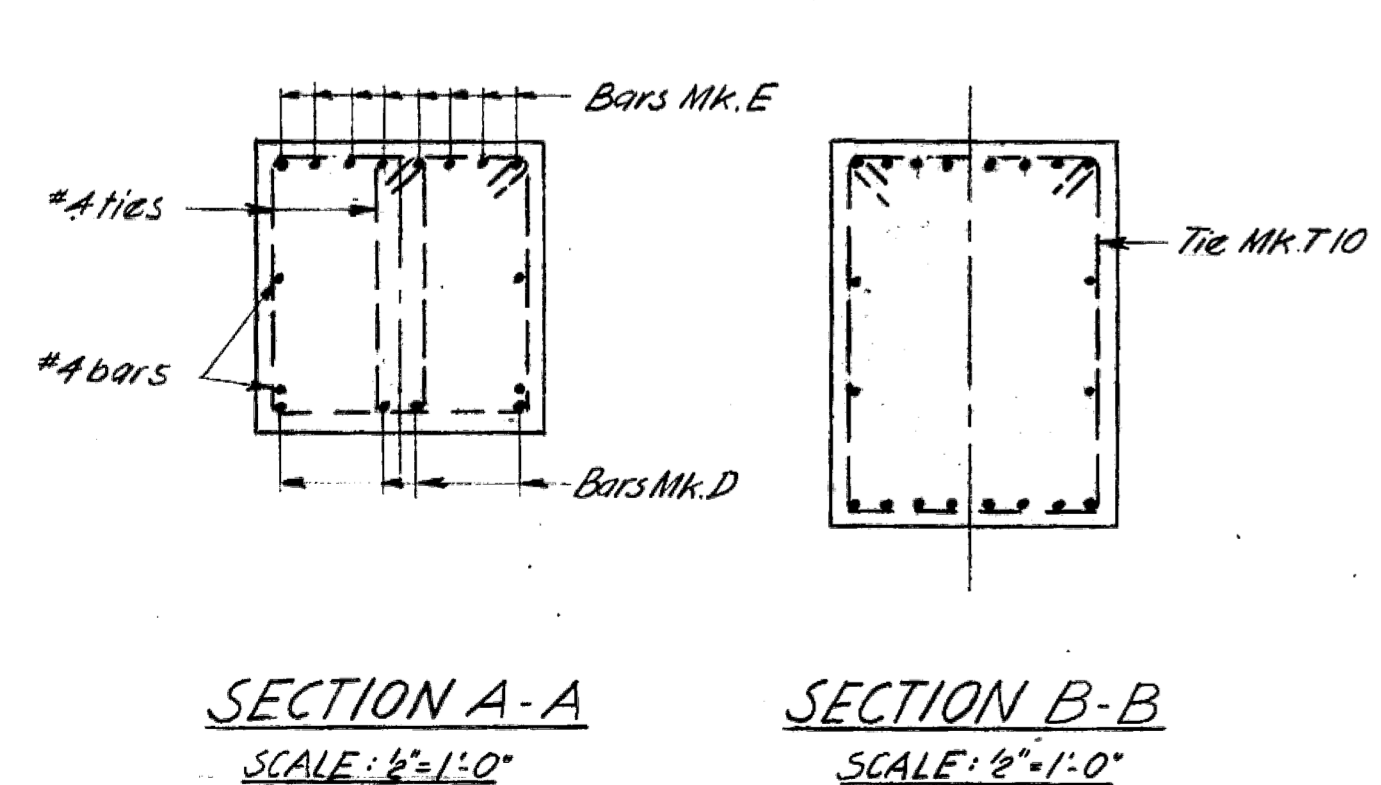
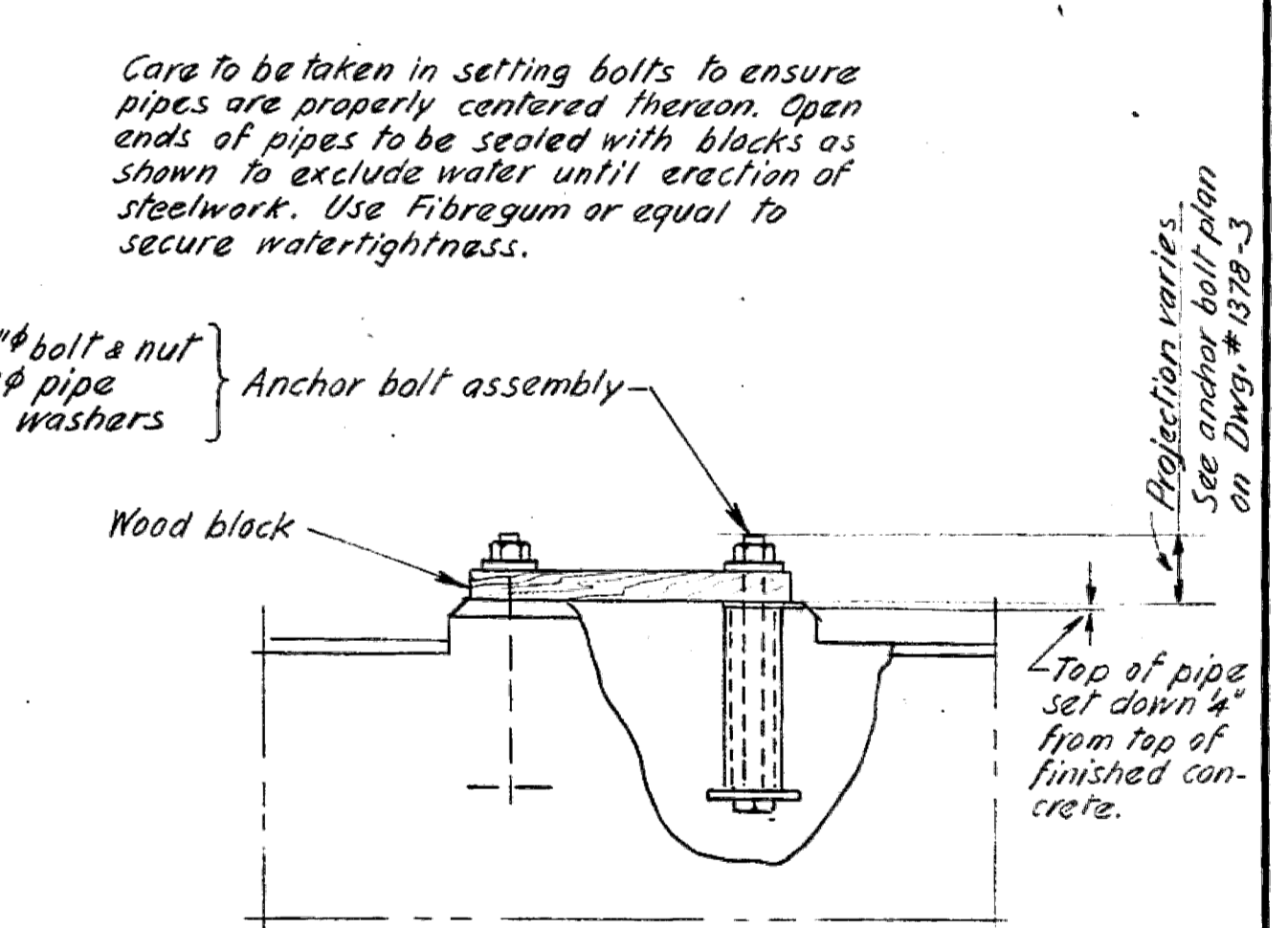
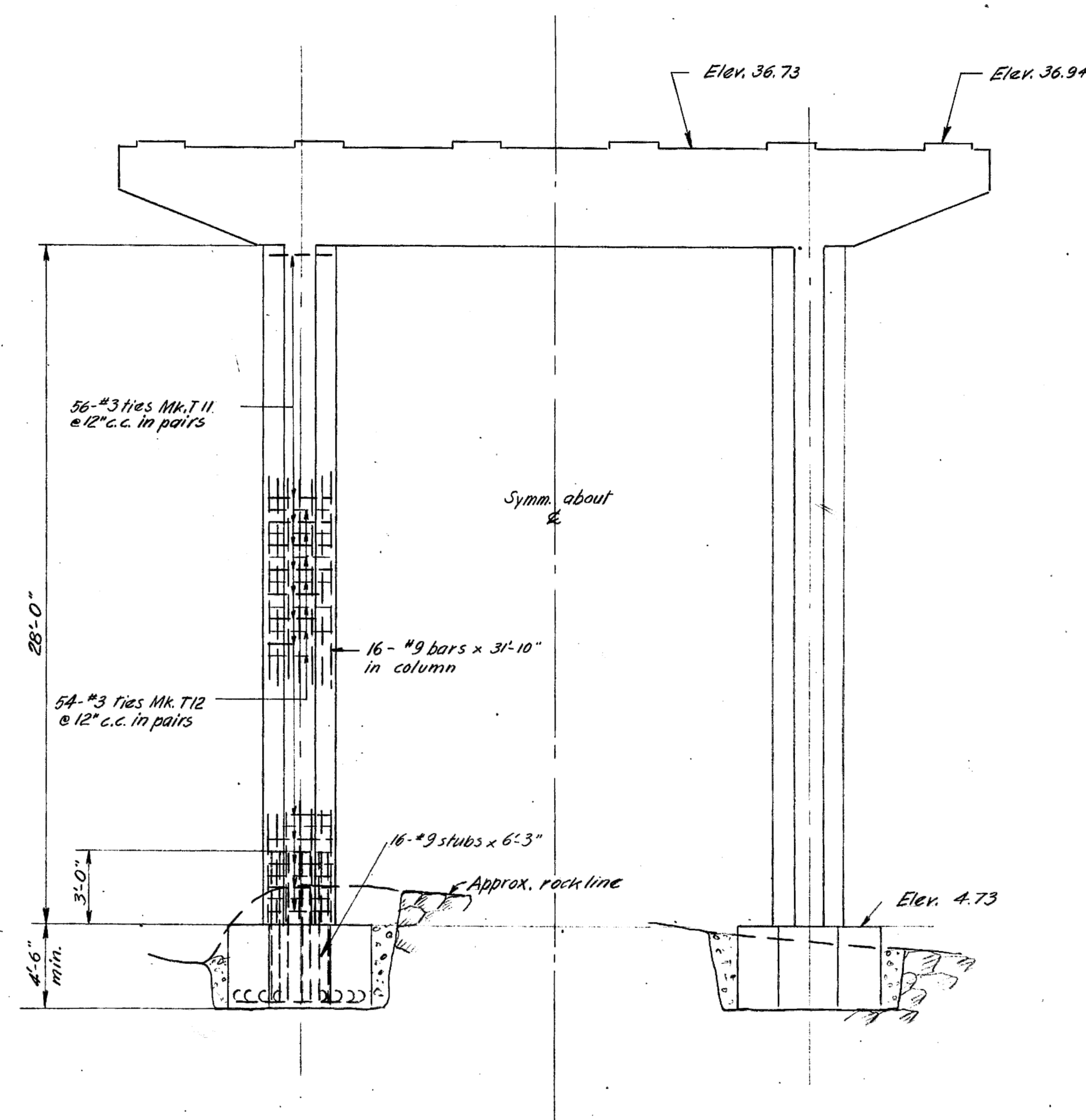
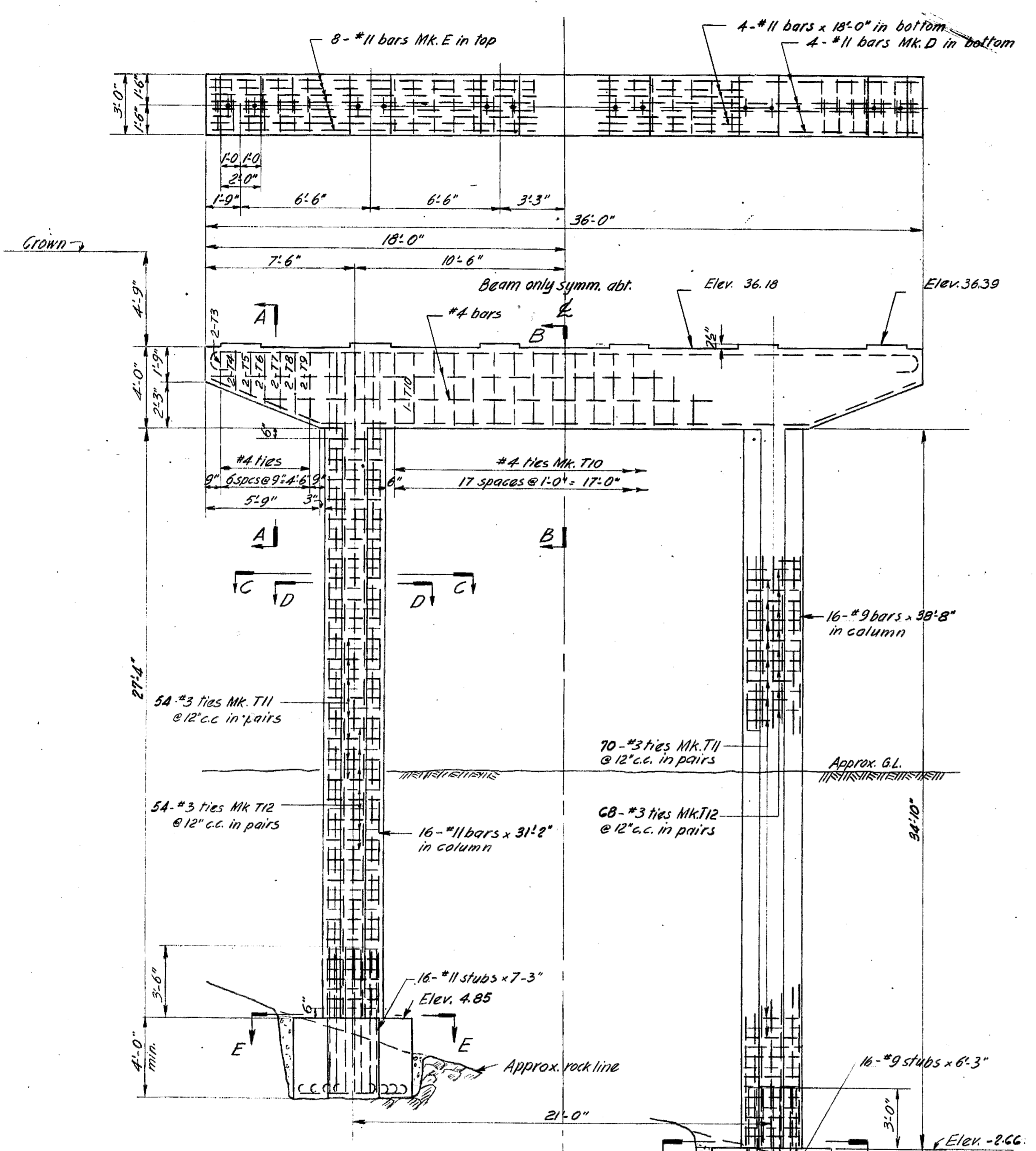
For general notes see Dwg. No. 1387-4
Estimated Conc. quantities: Class 'A' = 33 cu. yds.
9-12" H piles @ 53" required (50' long).

SAANICH DISTRICT
TRANS-CANADA HIGHWAY-MILE 1.4
COLQUITZ RIVER BRIDGE
EAST ABUTMENT
SCALE: 4" = 1'-0" & AS NOTED

REVISIONS			
Rev.	Particulars	Init.	Date
A	Ballast wall reinforcing	asb	Dec 2/53
B	As built	asb	Aug 15/54

GOVT. OF BRITISH COLUMBIA DEPT. OF PUBLIC WORKS BRIDGE ENGINEER'S OFFICE		Init.	Date	DRAWING NO.
Made by	R.I.D.	Apr. 29/53		
Checked by	asb	Apr 29/53		BRIDGES
Approved	Tom McCall			1378-5

LIST OF REINFORCING (FOR BENT 2 & 3)						
LOCATION	SIZE	MK.	NR.	H	L	BENDING
Btm. of beams	11	D	8	-	-	
Top of beams	11	E	16	-	35'-8"	
Footings	6	F	16	-	2'-4"	
	6	G	16	-	3'-4"	
	6	H	16	-	4'-4"	
	6	J	16	-	5'-4"	
Ties in beams	6	K	32	-	5'-6"	
	4	T3	8	11.8 1/2	1-7 1/2	
	4	T4	8	2-0	1-7 1/2	
	4	T5	8	2-3 1/2	1-7 1/2	
	4	T6	8	2-7	1-7 1/2	
	4	T7	8	2-10 1/2	1-7 1/2	
Ties in columns	4	T8	8	3'-2"	1-7 1/2	
	4	T9	8	3'-5 1/2	1-7 1/2	
	4	T10	36	3'-8"	2'-8"	
Btm. of beams	11	-	8	-	-	18'-0" straight bars
Cols. (Bent 2)	11	-	16	-	-	33'-4" " "
Stubs	11	-	16	-	-	7'-3" " "
Cols. (Bent 2)	9	-	16	-	-	39'-10" " "
Cols. (Bent 3)	9	-	32	-	-	31'-10" " "
Stubs	9	-	48	-	-	6'-3" " "
Sides of beams	4	-	-	-	-	280 lin. ft. straight bars
						* 15 ga. black annealed wire lbs 190
						Total weight lbs. 19,000



- NOTES:
- Concrete to be class A throughout.
 - Chamfer edges of beam 1".
 - Reinforcing steel cover 3" in footings, 2" elsewhere.
 - Splices, where necessary, are to be 40 diameters.
 - Footings of bents to be carried down to solid rock as directed by the engineer.

Estimated quantity of concrete for Bent 2 & 3 79 cu. yds.

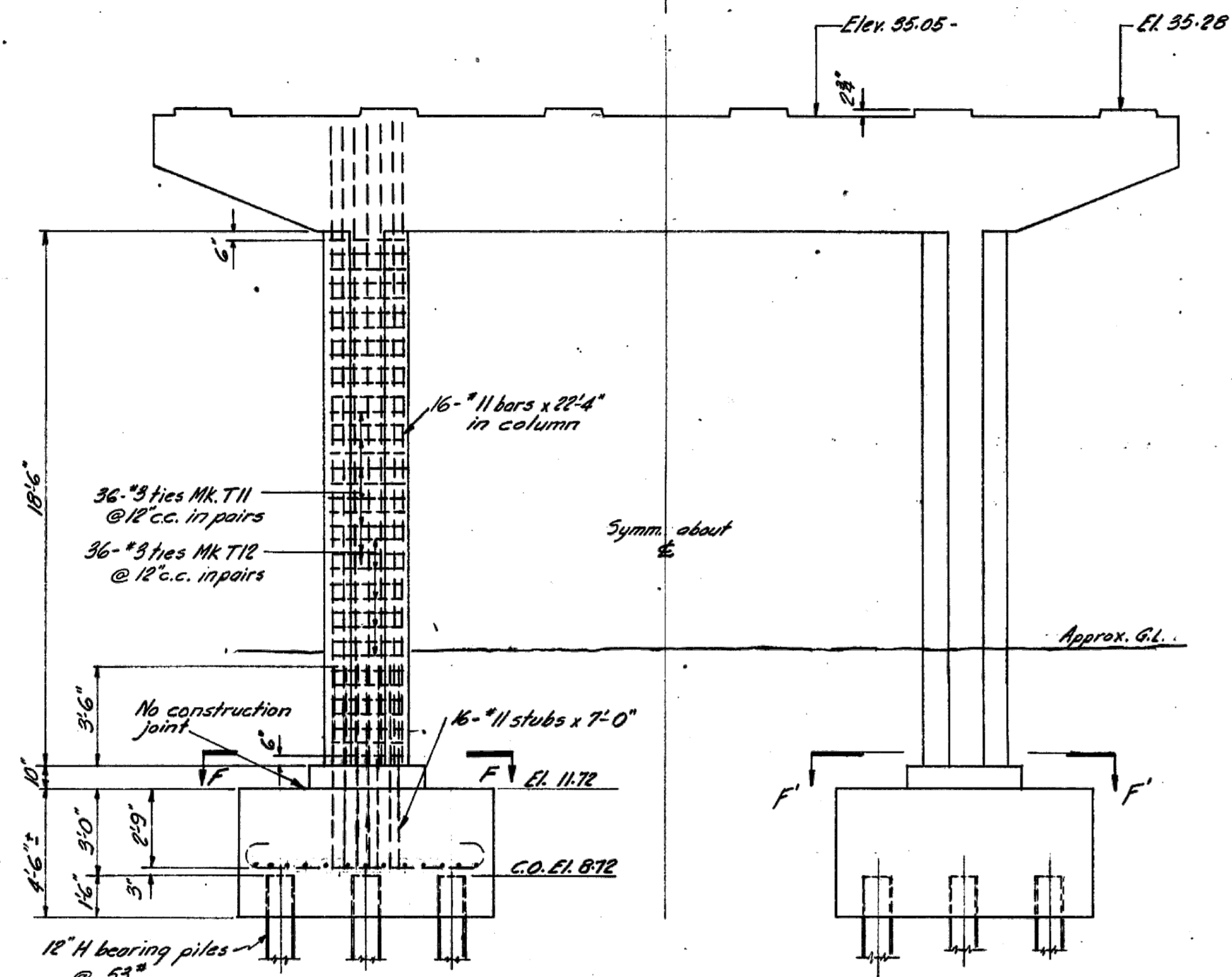
SAANICH DISTRICT
 TRANS-CANADA HIGHWAY - MILE 1.4
 COLQUITZ RIVER BRIDGE
 BENTS 2 & 3
 SCALE: 1/2" = 1'-0" & AS NOTED

REVISIONS			
Rev.	Particulars	Init.	Date
A	As built		24 Aug '54

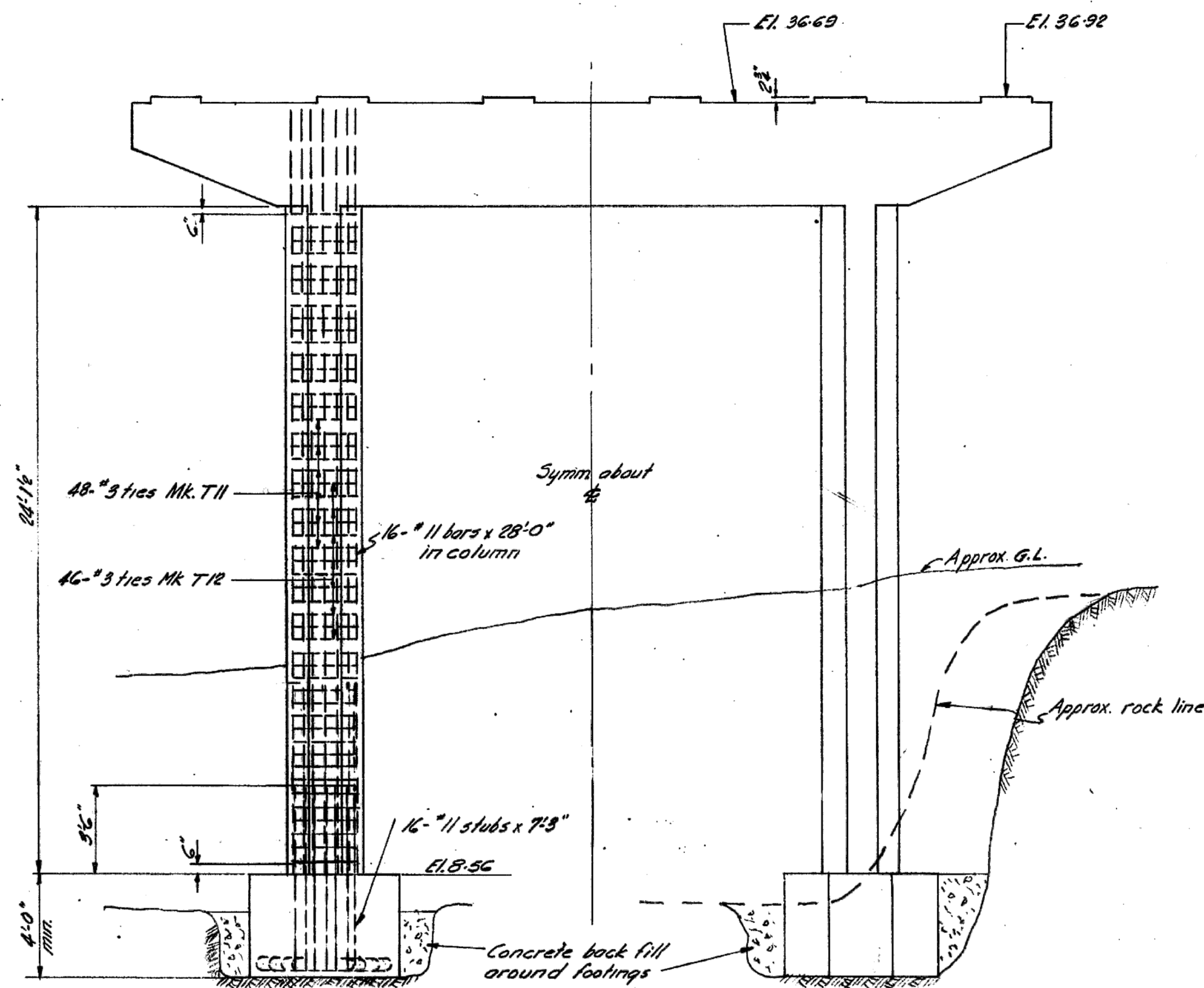
GOVT. OF BRITISH COLUMBIA
 DEPT. OF PUBLIC WORKS
 BRIDGE ENGINEER'S OFFICE

Made by H.F. May '53
 Checked by H.F. May '53
 Approved by T. J. Callan

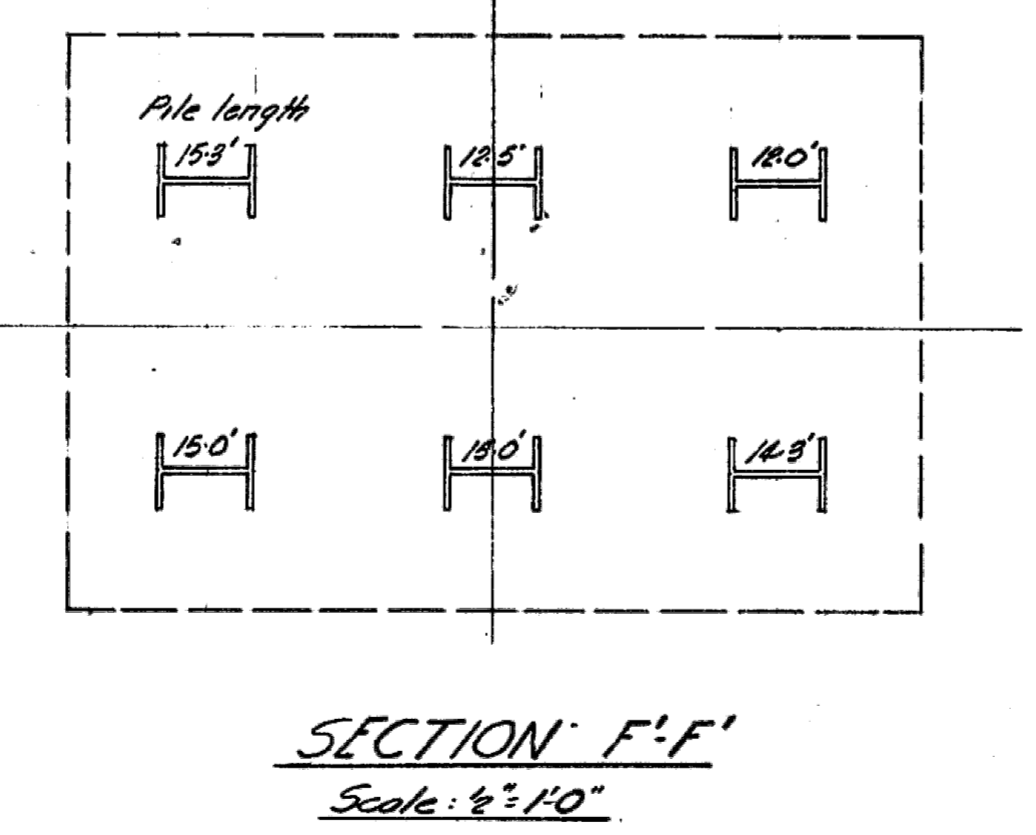
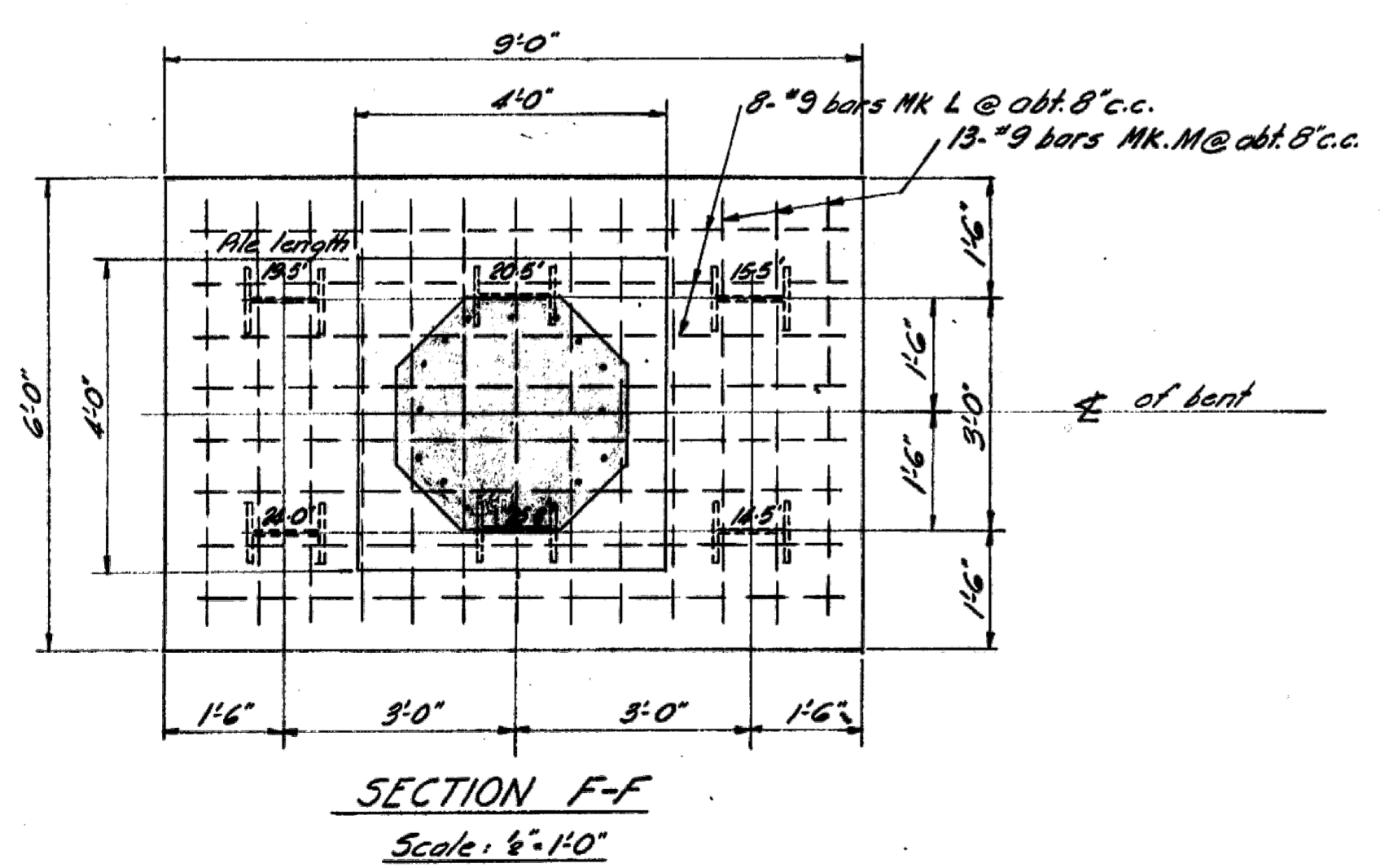
DRAWING NO. BRIDGES 1378-6



BENT 1
All details not shown same as bent 2
drawing 1378-6



BENT 4
All details not shown same as bent 2
drawing 1378-6



LIST OF REINFORCING (FOR BENTS 1 & 4)						
LOCATION	SIZE	MK.	Nº.	H	L	BENDING
Btm. of beams	11	D	8	-	-	
Top of beams	11	E	16	-	35'-8"	
Footings (Bent 4)	6	F	8	-	2'-4"	
	6	G	8	-	3'-4"	
	6	H	8	-	4'-4"	
	6	J	8	-	5'-4"	
Footings (Bent 1)	9	L	16	-	8'-6"	
	9	M	26	-	5'-6"	
Ties in beams	4	T3	8	1'-8"	1'-7"	
	4	T4	8	2'-0"	1'-7"	
	4	T5	8	2'-3"	1'-7"	
	4	T6	8	2'-7"	1'-7"	
	4	T7	8	2'-10"	1'-7"	
	4	T8	8	3'-2"	1'-7"	
	4	T9	8	3'-5"	1'-7"	
Ties in Cols.	3	T11	176	2'-8"	1'-2"	
	3	T12	172	1'-11"	1'-11"	
Btm. of beams	11	-	8	-	-	18'-0" straight bars
Cols. (Bent 1)	11	-	38	-	-	22'-4" do do
Cols. (Bent 4)	11	-	38	-	-	29'-10" do do
Stubs (Bent 1)	11	-	32	-	-	7'-0" do do
Stubs (Bent 4)	11	-	32	-	-	7'-9" do do
Sides of beams	4	-	-	-	-	280 lin. ft. straight bars
						* 15 ga. black annealed wire lbs 205
						Total weight lbs. 29600

- NOTES:**
- Concrete to be class A throughout.
 - Chamfer edges of beam 1"
 - Reinforcing steel cover 3" in footings, 2" elsewhere.
 - Splices, where necessary, are to be 40 diameters.
 - Footings for bent 1 to be carried down to elevations shown or to such lower elevations as may be ordered by the Engineer.
 - Footings for bent 4 to be carried down to solid rock as directed by the Engineer.

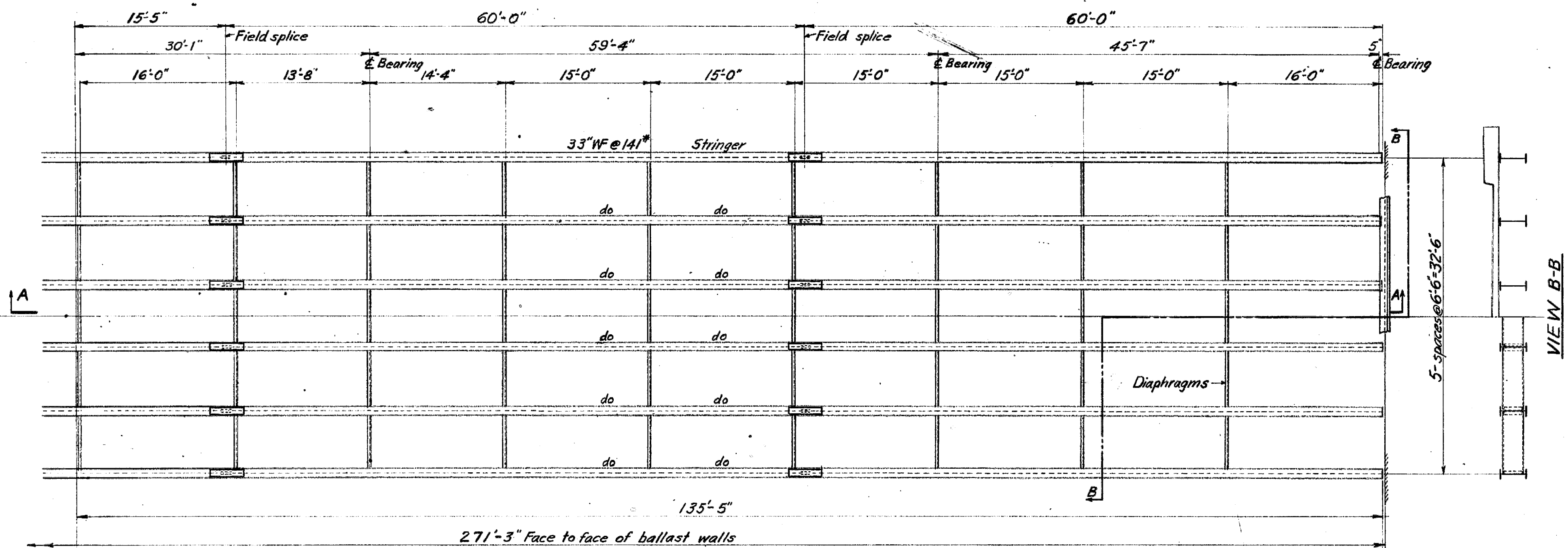
Estimated quantity of concrete for bents 1 & 4 = 81 cu. yds
Nº of 12" H piles required = 6 @ 50'

SAANICH DISTRICT
TRANS-CANADA HIGHWAY - MILE 1.4
COLQUITZ RIVER BRIDGE
BENTS 1 & 4
SCALE: 1/2" = 1'-0" & AS NOTED

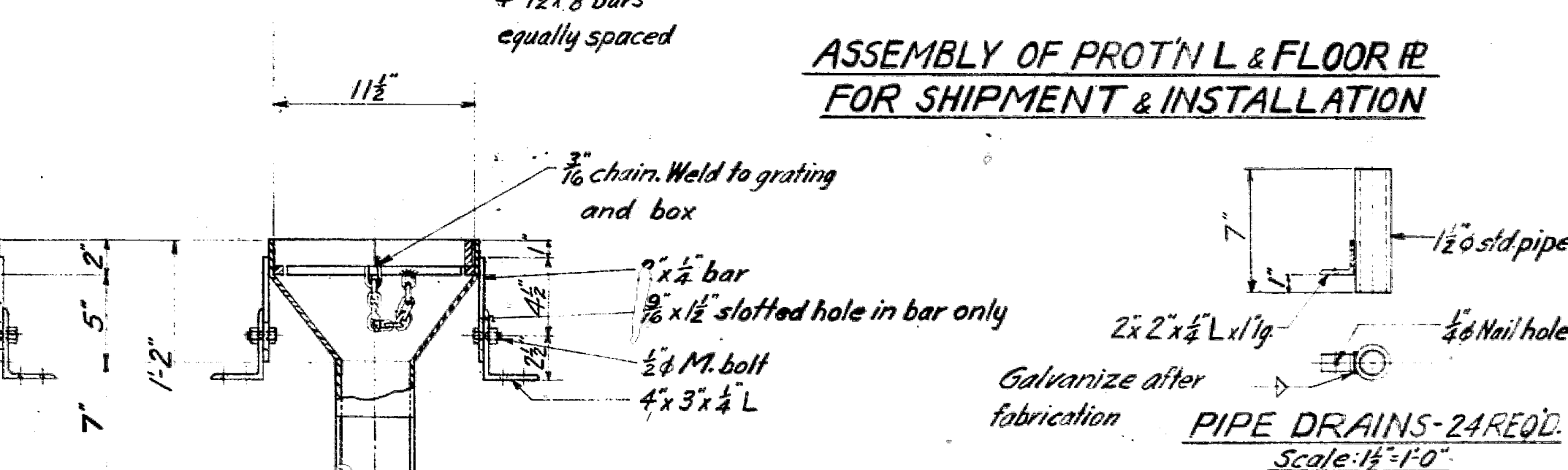
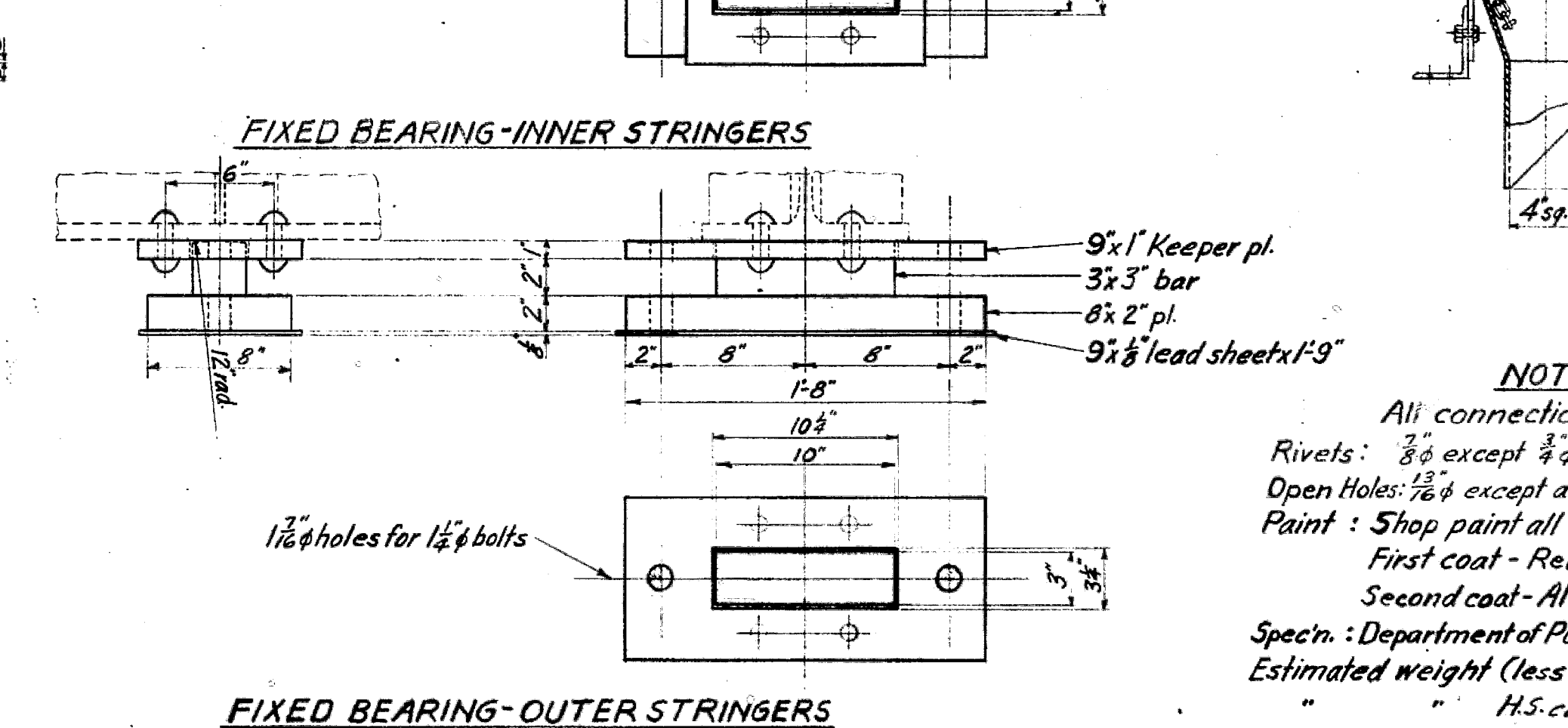
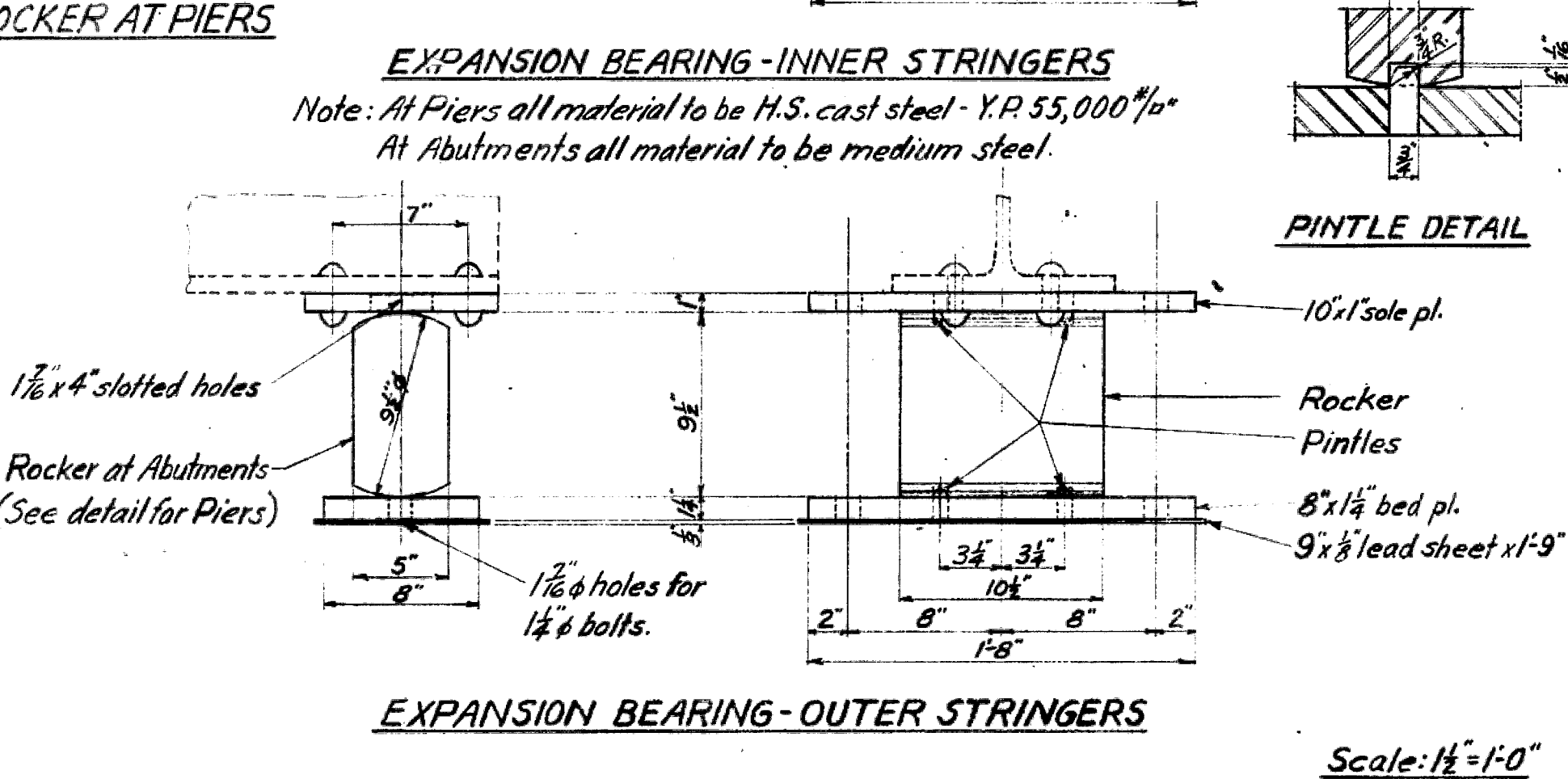
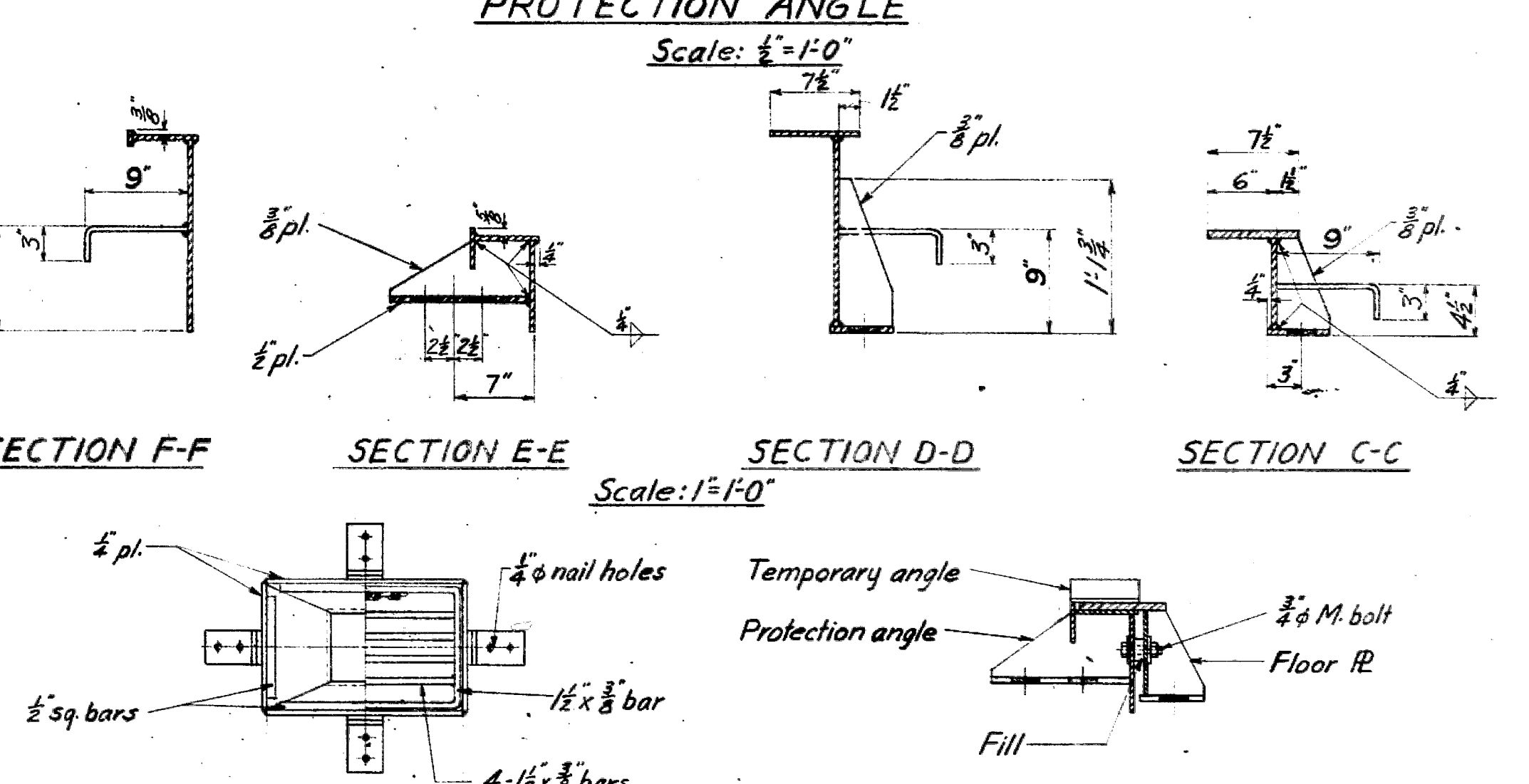
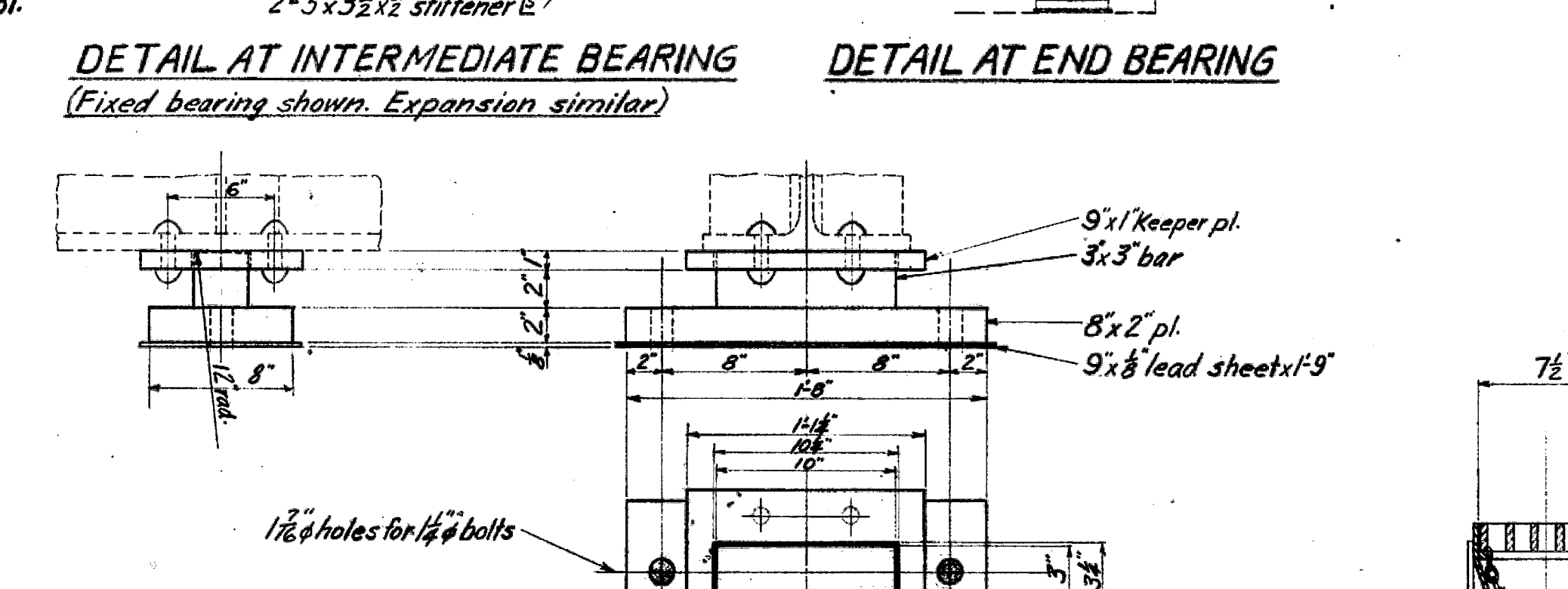
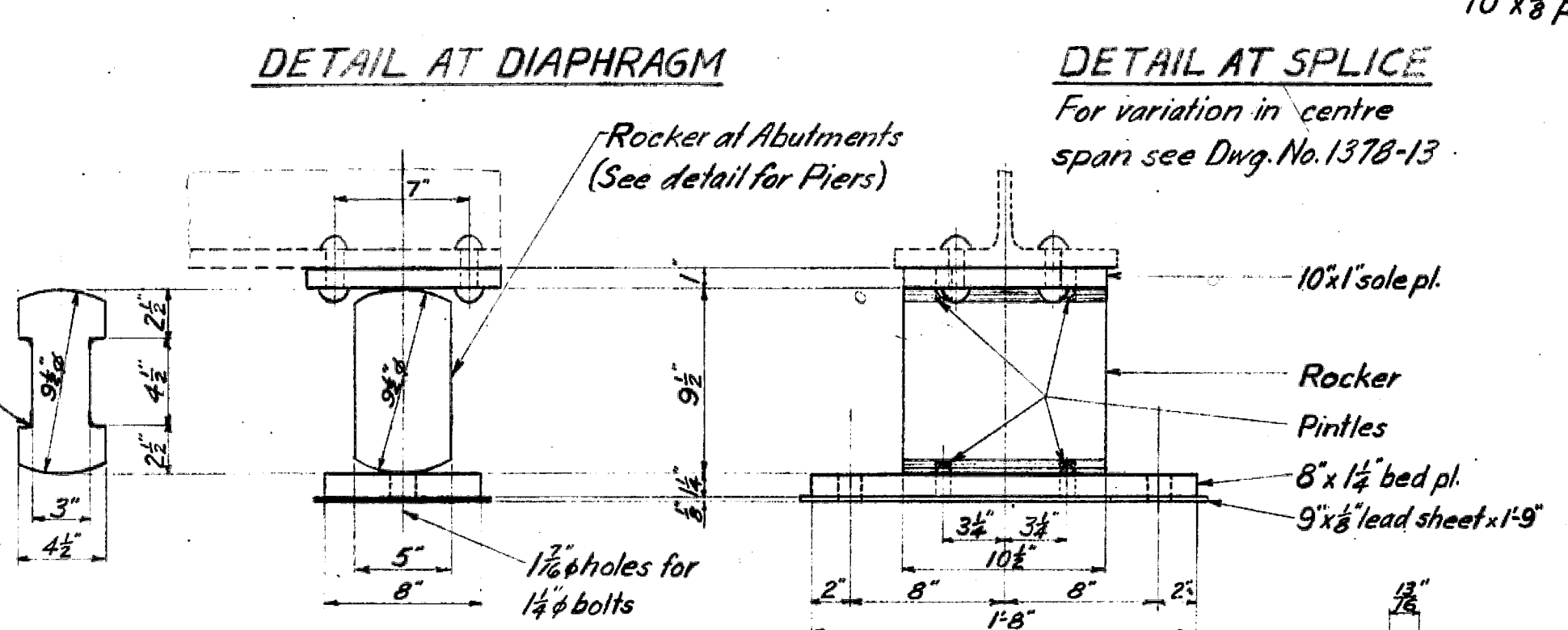
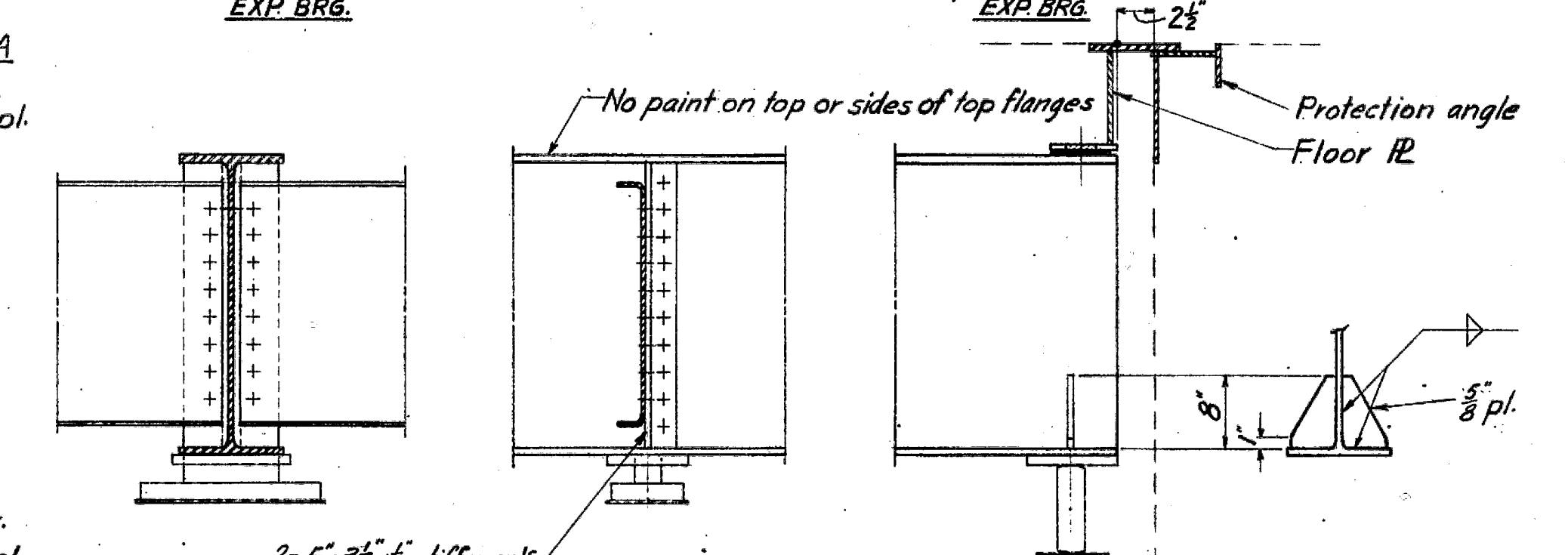
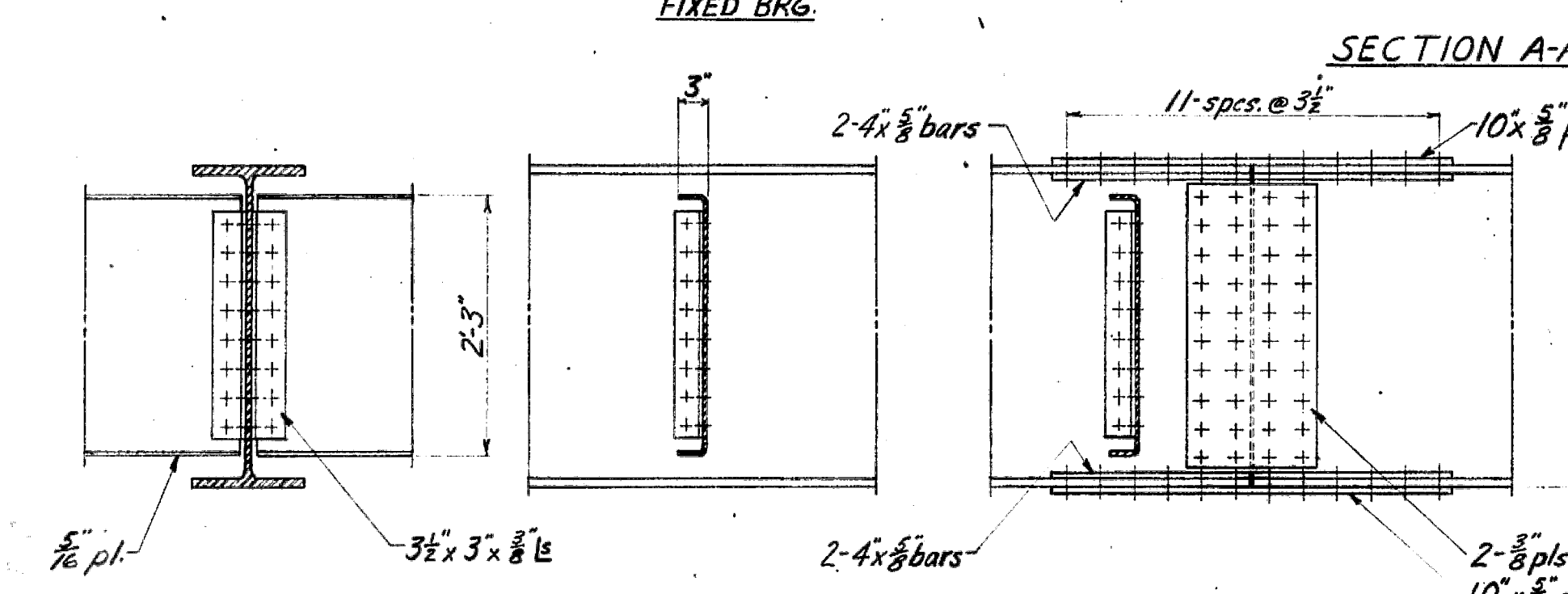
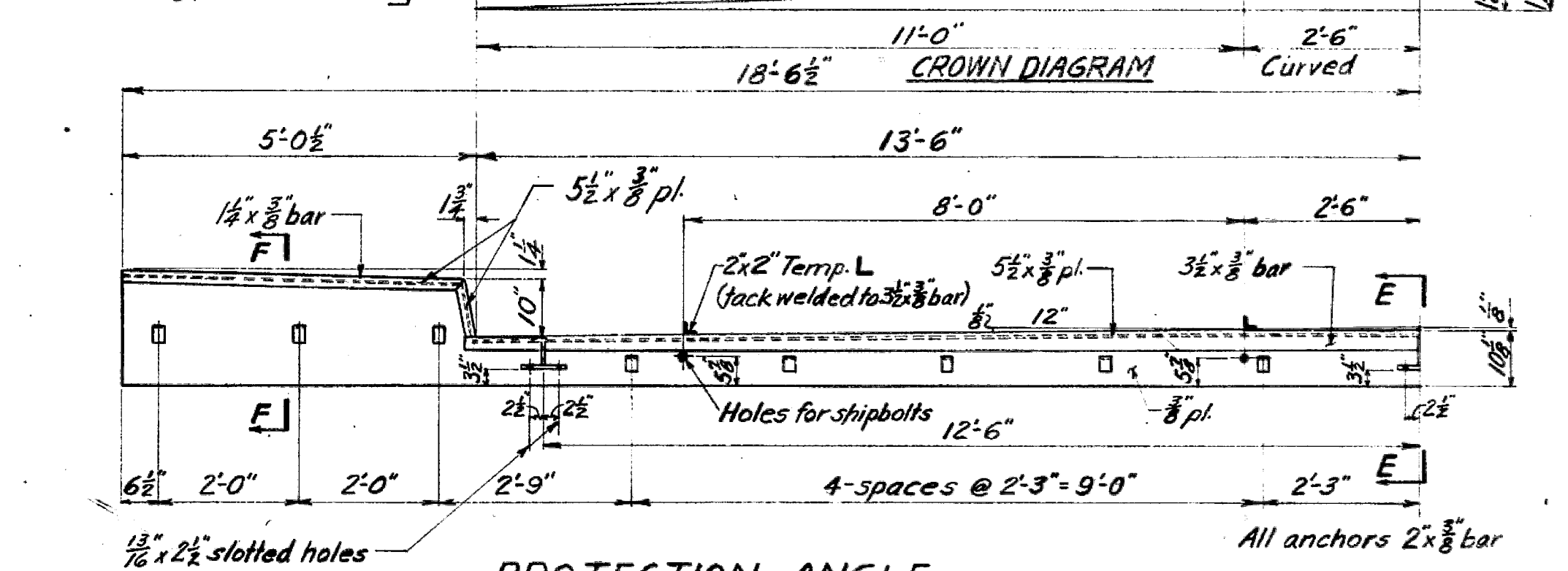
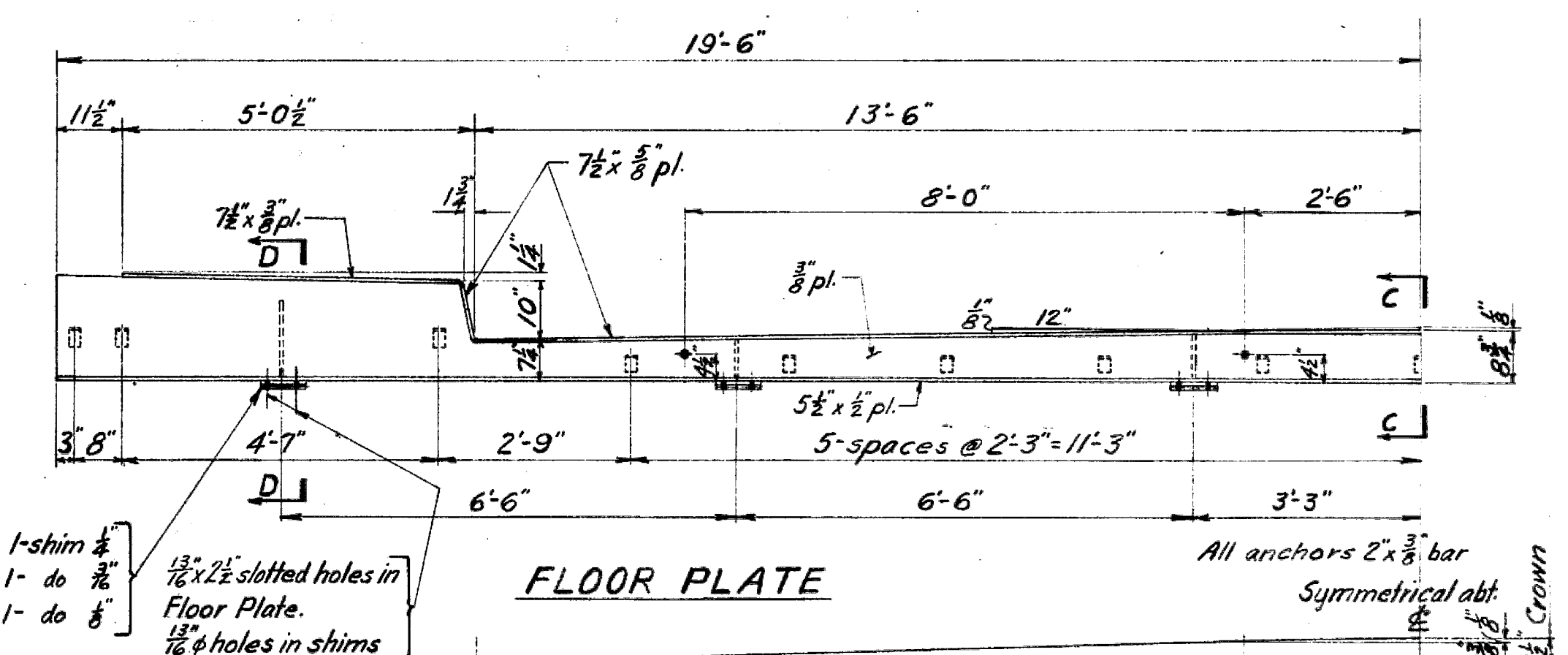
REVISIONS			
Rev.	Particulars	Init.	Date
A	As built	AL	Aug 7/54

Govt. of British Columbia Dept. of Public Works Bridge Engineer's Office	Init. Date Made by AL May 3/53	DRAWING NO. BRIDGES 1378-7
--	-----------------------------------	----------------------------------

Checked by H.F. May 4/54
Approved by H.F. May 4/54



Note: Steelwork to be erected on grade of +0.923% which will be accommodated by inclining the bearings and by take-up at expansion joints.



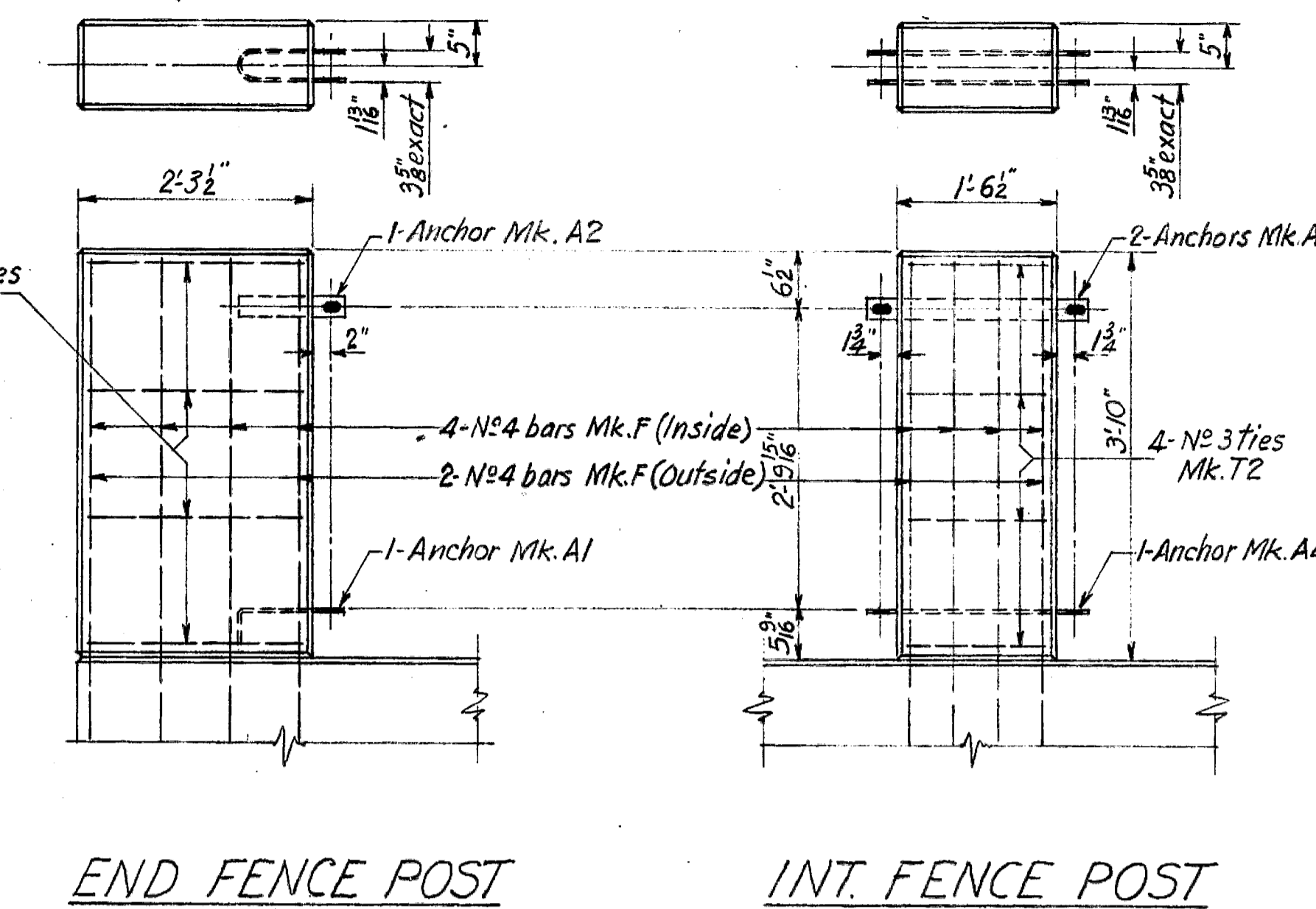
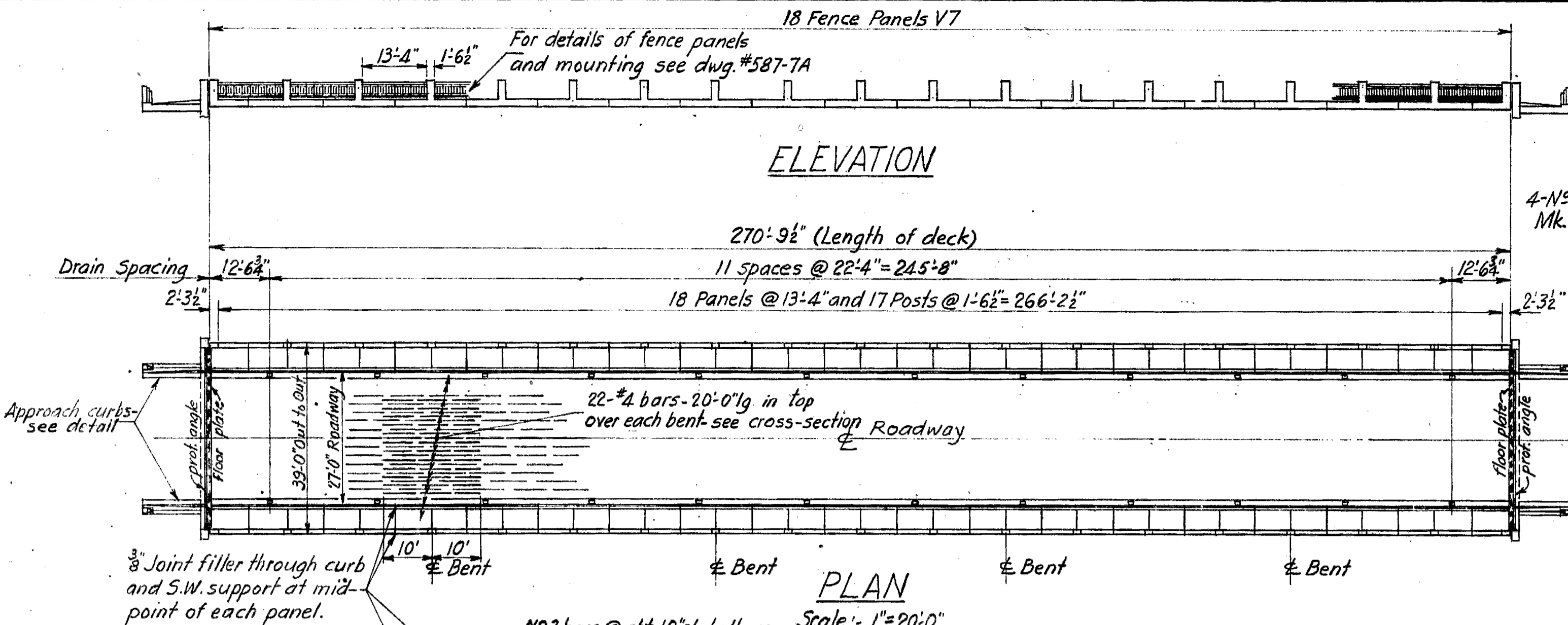
NOTES
All connections rivetted
Rivets: 3/8" except 1/2" for diaphragm connections.
Open Holes: 1/2" except as noted.
Paint: Shop paint all surfaces except where noted
First coat - Red Lead
Second coat - Aluminum #2
Spec'n: Department of Public Works Spec'n for highway bridges.
Estimated weight (less H.S. cast steel math) 277,900 lbs.
" " H.S. cast steel math. Y.P. 55,000 psi 2,300 "
Total wt. 280,300 "

SAANICH DISTRICT
TRANS-CANADA HIGHWAY MILE 1-4
COLQUITZ RIVER BRIDGE
STEELWORK DETAILS
SCALE: AS NOTED

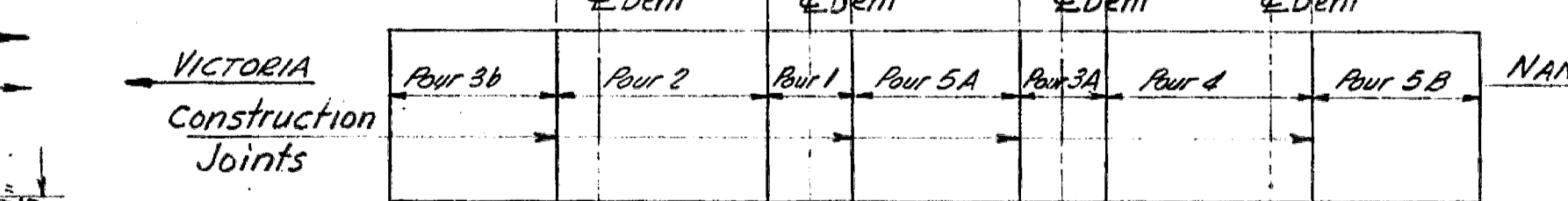
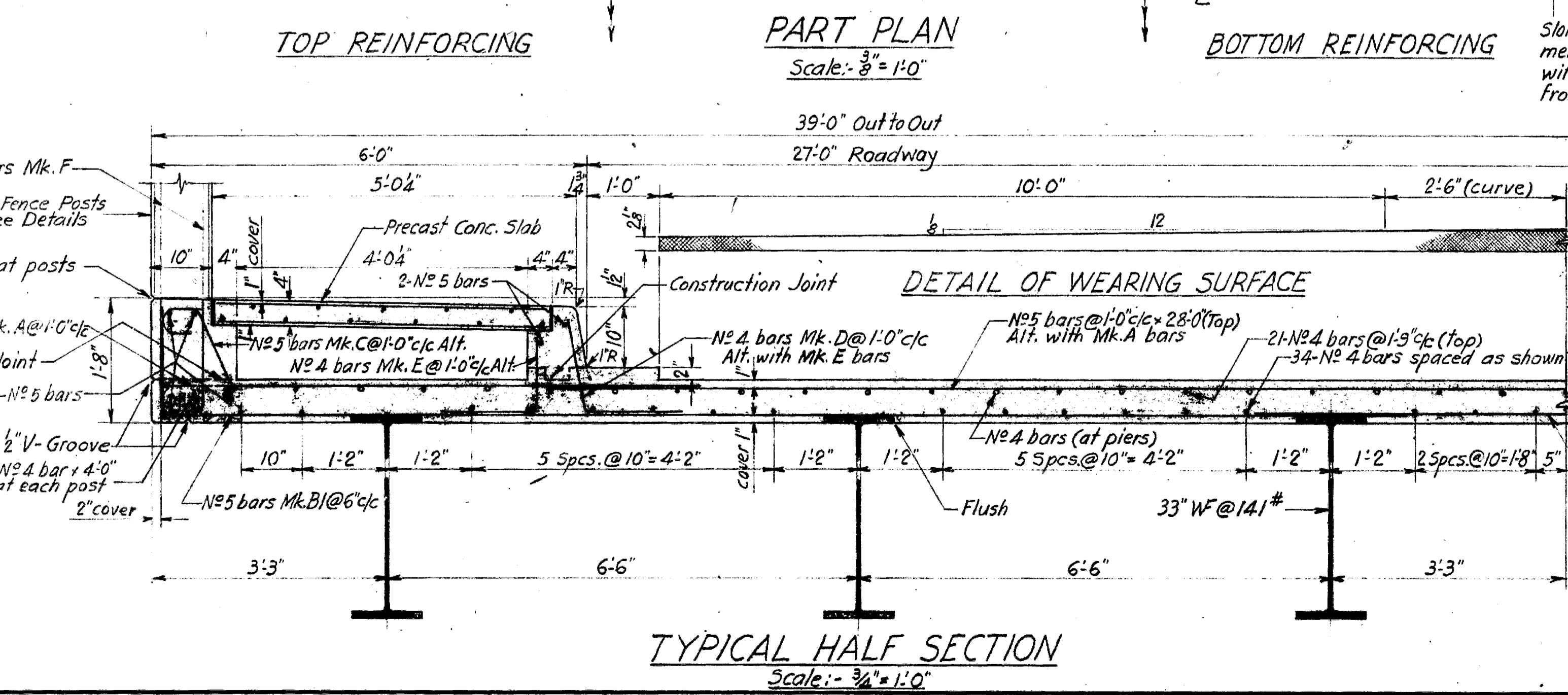
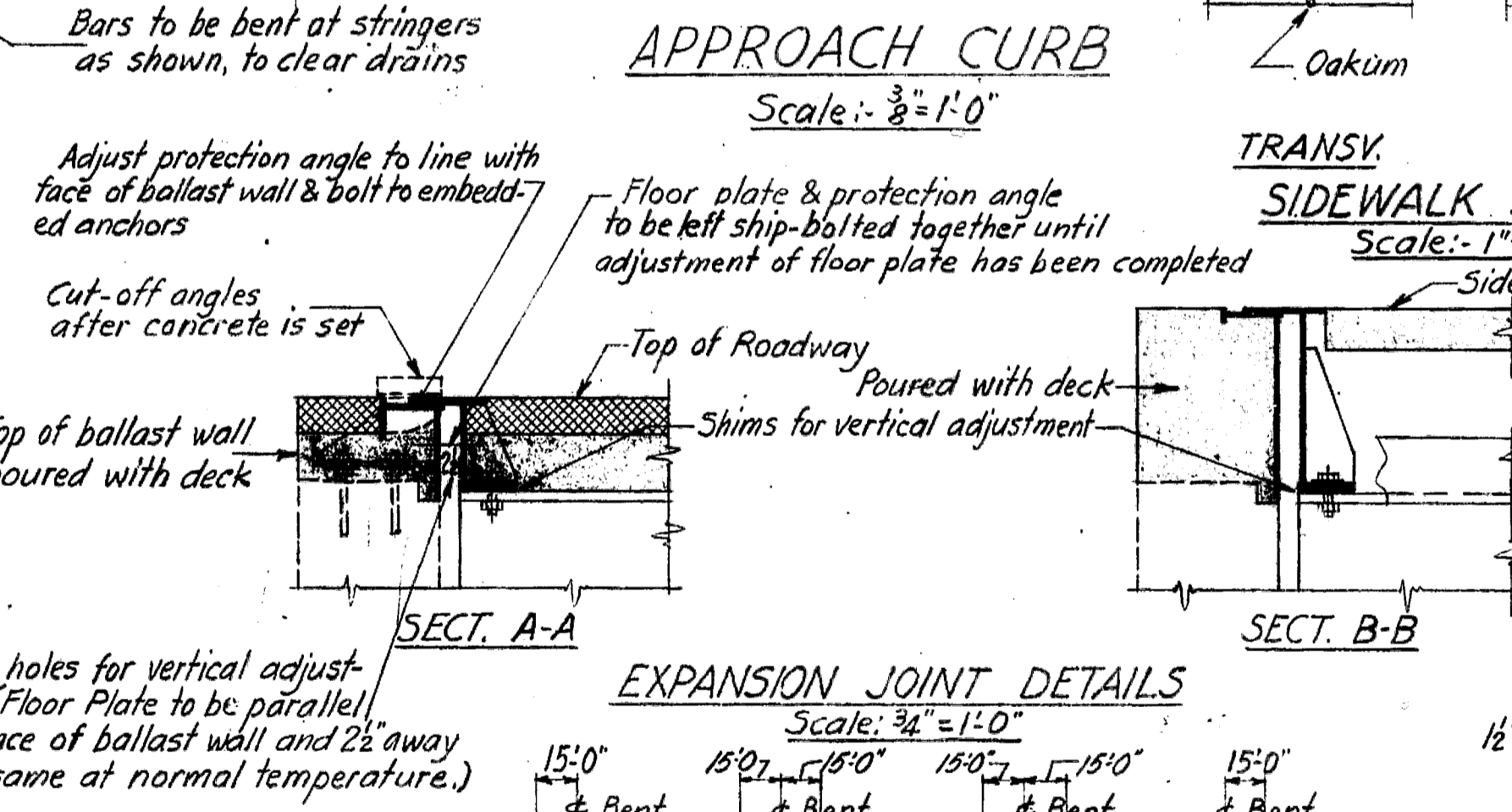
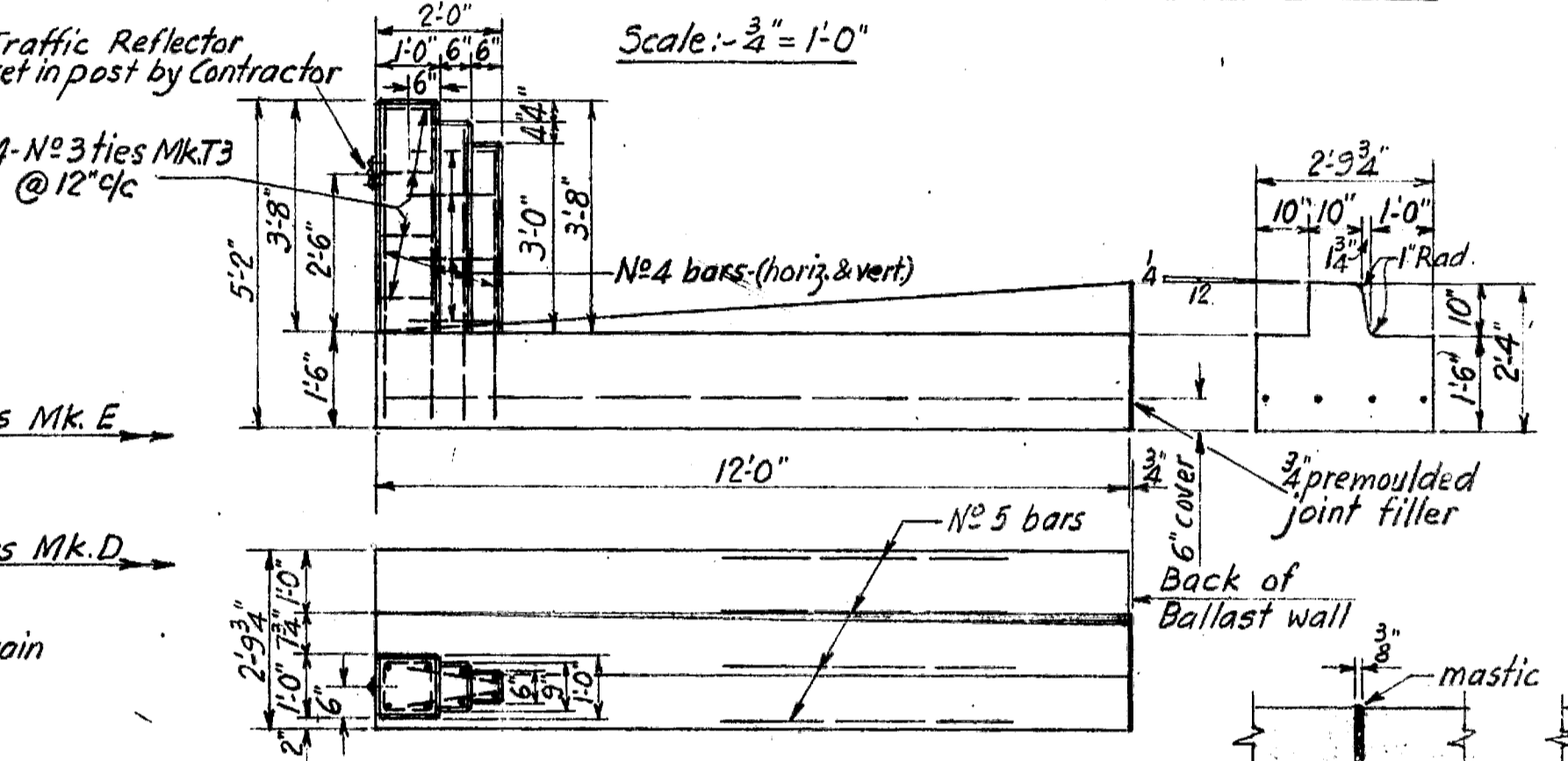
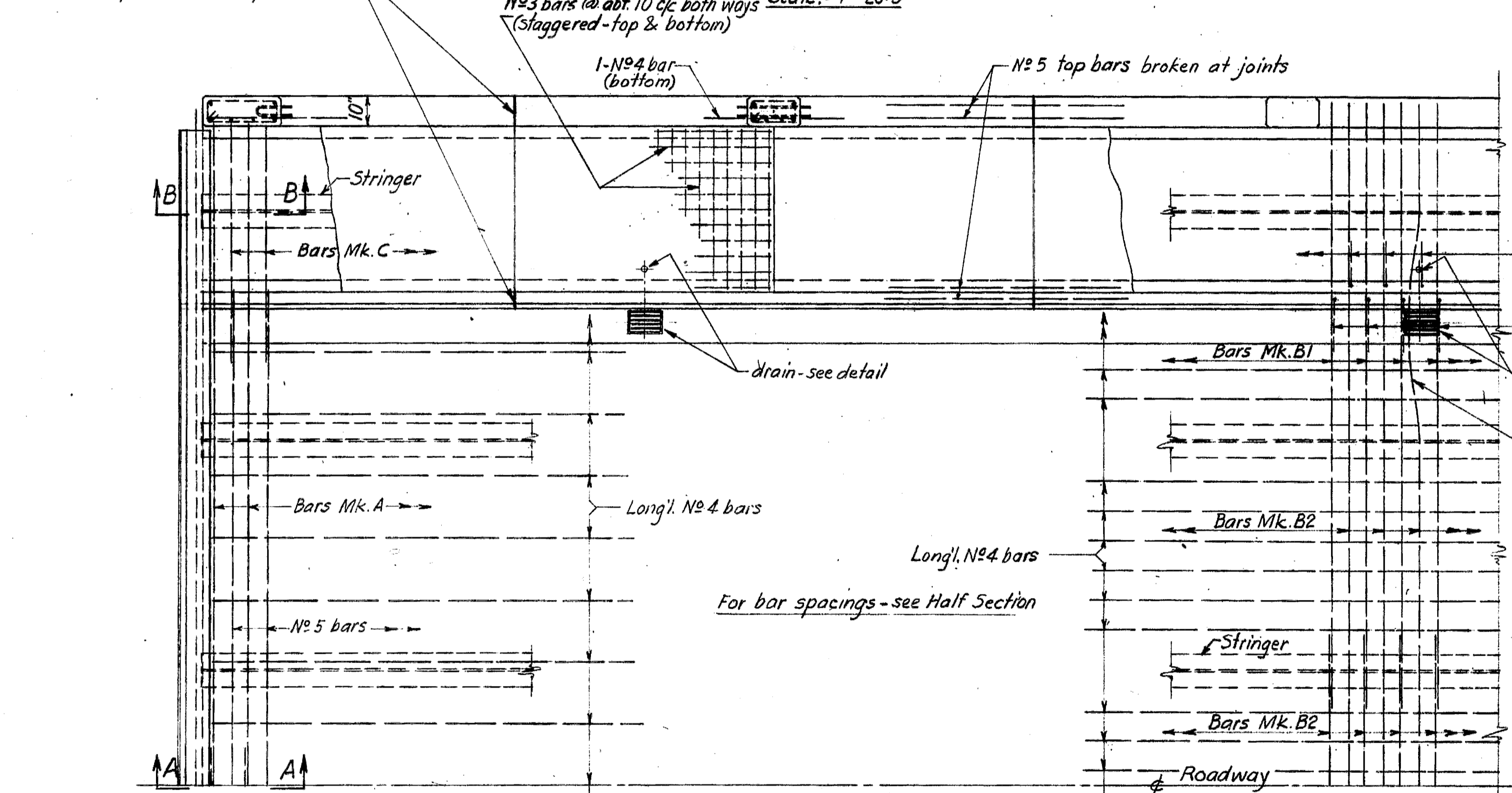
REVISIONS		
Rev.	Particulars	Init. Date
A	Bearings, Floor Pl. & Prot. L	G.E.D. 12 Sep 53
B	10' added to centre span	G.E.D. 17 Nov 53

GOVT. OF BRITISH COLUMBIA DEPT. OF PUBLIC WORKS BRIDGE ENGINEER'S OFFICE	
Init.	Date
Made by G.E.D.	12 Dec 52
Checked by K.W.	Mar 53

DRAWING NO. BRIDGES 1378-8
M. McCallum
18390
Cancel prints bearing earlier letter



LIST OF REINFORCING STEEL					
LOCATION	MK. NO.	SIZE	LENGTH	BENDING DIAGRAM	
Deck-top trans.	A	540	5		
Deck-btm.trans.	B1	539	5		
	B2	539	5		
Deck-top trans.	C	538	5		
Curb.trans.	D	540	4		
Curb.trans.	E	540	4		
Fence posts	F	228	4		
End fence posts	T1	16	3	L=1'-11 1/2"	
Int. fence posts	T2	136	3	L=1'-3"	
Ties in approach	T3	16	3		
Deck-top trans.		270	5	28'-0"	Straight bars
Long. in all curbs		-	-	5	3600 Lin. ft. str. bars-30' lvs
Long. in deck-top & btm. & app. posts		-	-	4	18500 do. do.
End S.W. Slabs		44	3	8'-6"	Straight bars
Inter. do. do.		748	3	7'-2"	do. do.
All do. do.		1384	3	4'-5"	do. do.
#15 ga. black annealed wire-730'					
Total weight-73200'					



- Notes:-
- All concrete to be Class A.
 - All exposed edges to have 1/2" chamfer unless shown otherwise.
 - Reinforcing steel to have 1/2" cover except where otherwise shown.
 - Reinforcing splices to be staggered and bars to be lapped 40 diameters to make a splice.
 - Deck line to be straight throughout the length of bridge at grade shown, screeds being set for anticipated dead load deflections of 1/2" in centre of 47' spans and 1/4" in centre of 59' span.
 - Curbs and sidewalk supports to be formed and poured after roadway slab is set. Top of curbs to finish straight throughout the length of bridge.

SAANICH DISTRICT
TRANS-CANADA HIGHWAY, MILE 1.4
COLQUITZ RIVER BRIDGE
DECK DETAILS
SCALE: AS NOTED

REVISIONS		GOVT. OF BRITISH COLUMBIA DEPT. OF PUBLIC WORKS BRIDGE ENGINEER'S OFFICE	
Rev.	Particulars	Init.	Date
A	Length of deck increased to 270'-9 1/2"	GED	12 Nov 53
B	As built	AL	11 Nov 54

Made by: J.D.J. 3 Nov 52
Checked by: K.W. Mar 53
Approved by: W.C. McCallum 1378-9

Estimated quantity of concrete including tops of ballast walls-298 cu yds

DEPARTMENT OF PUBLIC WORKS
BRIDGE ENGINEER'S OFFICE

SCHEDULE OF MATERIAL

For COLQUITZ RIVER BRIDGE
SAANICH DISTRICT
TRANS. CANADA HIGHWAY - MILE 1.4

Sheet No.	1
Dwg. File No.	1378
Corr. File No.	41
Made by	RLD
Date	May 7/53
Checked by	RLD
Date	May 7/53

ITEM	QUANTITY	DESCRIPTION	BILL	DRAWING	WEIGHT	REQ'D
SUBSTRUCTURE						
1.	2030 sks	Cement (including 42 spaces)				
2.	1 lot	Reinforcing steel (Abutts) - X1			11,300	
3.	1 lot	do do (Bents) - X2			32,600	
4.	1 set	Date numerals - 5" high				
5.	4 sets	Sunstone collectors - Code D				
6.	4 pcs.	Reflector anchors		590M		
7.	24 only	Pat. L anchor bolts - 3/4" dia bolts x 14" (Hex. Hd. & 2 Hex. nuts)			50	
8.	1 lot	Anchor bolt assemblies		1378-10	1640	
9.	16 pcs.	12" H. piles @ 53" x 50" O.D. (Calculated requirements: 1-57, 1-55, 1-53, 2-52, 3-50, 1-47, 4-27, 2-26, 2-24 & 4-23.)			42,400	
10.	1 only	6" L x 8" x 3/8" O.			295	
11.	10 only	6 x 3/8" bar x 1'4"			102	
12.	20 only	3 x 3/8" bar x 1'0"			77	
SUPERSTRUCTURE						
13.	1 lot	Steelwork (incl. floor & Pat. L)		1378-B	279,200	
14.	1 lot	Fence panels & anchors		587-7	13,970	
15.	52 gals.	Aluminum paint, N°2				
16.	35 gals.	Exterior bronze liquid				
17.	70 lbs.	Aluminum bronze powder				
18.	5 gals.	Jade green N°1				
19.	32 gals.	Jade green N°2				
20.	1 quart	Cobalt drier				
21.	2 gals.	Red lead N°1				
DECK						
22.	800 sks	Cement (incl. 14 spaces)				
23.	1 lot	Reinforcing steel			11,300	
24.	150 lin ft.	3/8" x 7" precast joint filler				
25.	50 lbs.	Mastic				
26.	100 lbs.	Oakum				
27.	130 tons	Asphalt surfacing				

BILL OF REINFORCING STEEL

PROJECT ABUTMENTS BILL NO. 1378-X1
COLQUITZ RIVER BRIDGE SHEET NO. 141
DRAWING FILE NO. 1378 MADE BY R.L.D.
LETTER FILE NO. _____ CHECKED BY RLD
DATE Apr. 23, 53

TYPE L

TYPE T3

Bar Size		U	V	A	G	E	F
1 1/8"	8"	5"	1"	3"			
1 1/8"	8"	4 1/2"	1"	2 1/2"			
1"	7"	4"	1"	0 1/2"			
7/8"	6"	3 1/2"	10 1/4"				
3/4"	5"	3"	9"				
5/8"	4"	2 1/2"	7"				
1/2"	3"	2"	5"				
3/8"	2 1/2"	2"	5"				

All dimensions are out to out
Bars to be structural grade reinforcing steel

ITEM	DESCRIPTION				BENDS								WEIGHT	
	MARK	TYPE	No	SIZE	LENGTH	A	B	C	D	E	F	G		H
1	A	L	14	#5	7"									10.0
2	B	L	32	"	"									9.6
3	C	L	14	"	"									17.6
4	T1	T3	49	#4	3'2"	2'8"	4'8"	3'0 1/2"	4"					
5	T2	T3	34	#4	12'8"	4'1"	3'8"	4'2 1/2"	4"					
6			40	#3	11-8									
7			43	#7	6'-0"									
8			10	"	10'-0"									
9			18	"	15'-0"									
10			32	"	20'-0"									
11			4	"	21'-3"									
12			12	"	27'-0"									
13			28	"	24'-4"									
14			4	"	27'-3"									
15			16	#5	9'-3"									
16			38	#4	3'-0"									
17			37	"	7'-8"									
18				"	8'-7"									
19				"	19'-0"									
20				#3	20									
21														
#5 gauge black annealed wire = 110 Total Weight = 11,300														

BILL OF REINFORCING STEEL

PROJECT SUBSTRUCTURE - BENTS BILL NO. 1378-X2
COLQUITZ RIVER BRIDGE SHEET NO. 141
DRAWING FILE NO. 1378 MADE BY RLD
LETTER FILE NO. 3639 CHECKED BY H.E.
DATE May 7th 53

TYPE A

TYPE T1

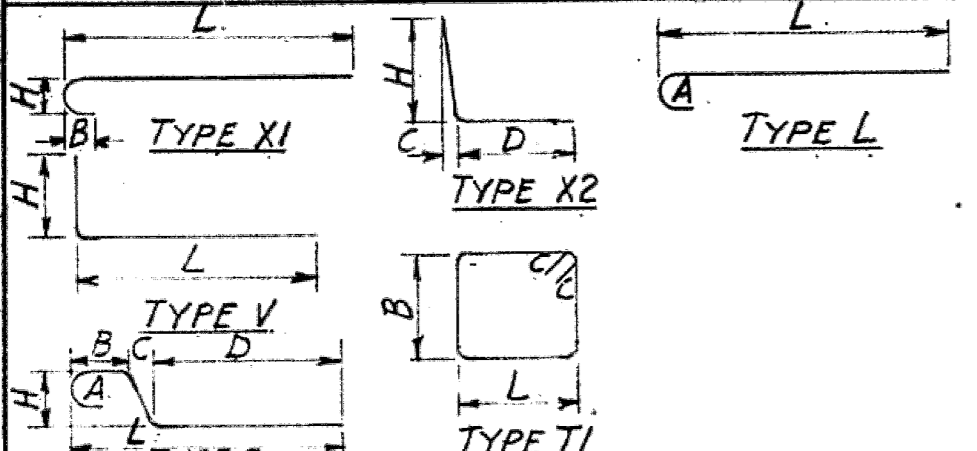
Bar Size		U	V	A	G	E	F
1 1/8"	8"	5"	1"	3"			
1 1/8"	8"	4 1/2"	1"	2 1/2"			
1"	7"	4"	1"	0 1/2"			
7/8"	6"	3 1/2"	10 1/4"				
3/4"	5"	3"	9"				
5/8"	4"	2 1/2"	7"				
1/2"	3"	2"	5"				
3/8"	2 1/2"	2"	5"				

All dimensions are out to out
Bars to be structural grade reinforcing steel

ITEM	DESCRIPTION				BENDS								WEIGHT	
	MARK	TYPE	No	SIZE	LENGTH	A	B	C	D	E	F	G		H
1	D	A	16	#11										35.8
2	E	L	32	#11	12.3									35.8
3	F	L	24	#6	9"									2.4
4	G	L	24	#6	9"									3.4
5	H	L	24	#6	9"									4.4
6	I	L	24	#6	9"									5.4
7	K	L	18	#6	9"									5.6
8	L	L	16	#9	12.6									21.6
9	M	L	26	#9	12.6									5.6
10	T3	T1	16	#4	17.2	18.2	4"							
11	T4	T1	16	#4	17.2	21.0	4"							
12	T5	T1	16	#4	17.2	23.2	4"							
13	T6	T1	16	#4	17.2	27	4"							
14	T7	T1	16	#4	17.2	21.0	4"							
15	T8	T1	16	#4	17.2	3.2	4"							
16	T9	T1	16	#4	17.2	3.5	4"							
17	T10	T1	72	#4	2.8	3.8	4"							
18	T11	T1	418	#3	1.8	2.8	4"							
19	T12	T1	428	#3	1.11	1.41	4"							
20			16	#11	18.2									
21			32	#11	22.4									
22			32	#11	22.4									
23			18	#11	7.3									
24			11	#11	7.0									
25			16	#11	33.4									
26			16	#9	32.70									
27			32	#9	31.70									
28			43	#9	6.3									
29			4	560										
#11 go black annealed wire TOTAL WEIGHT 39,600														

BILL OF REINFORCING STEEL

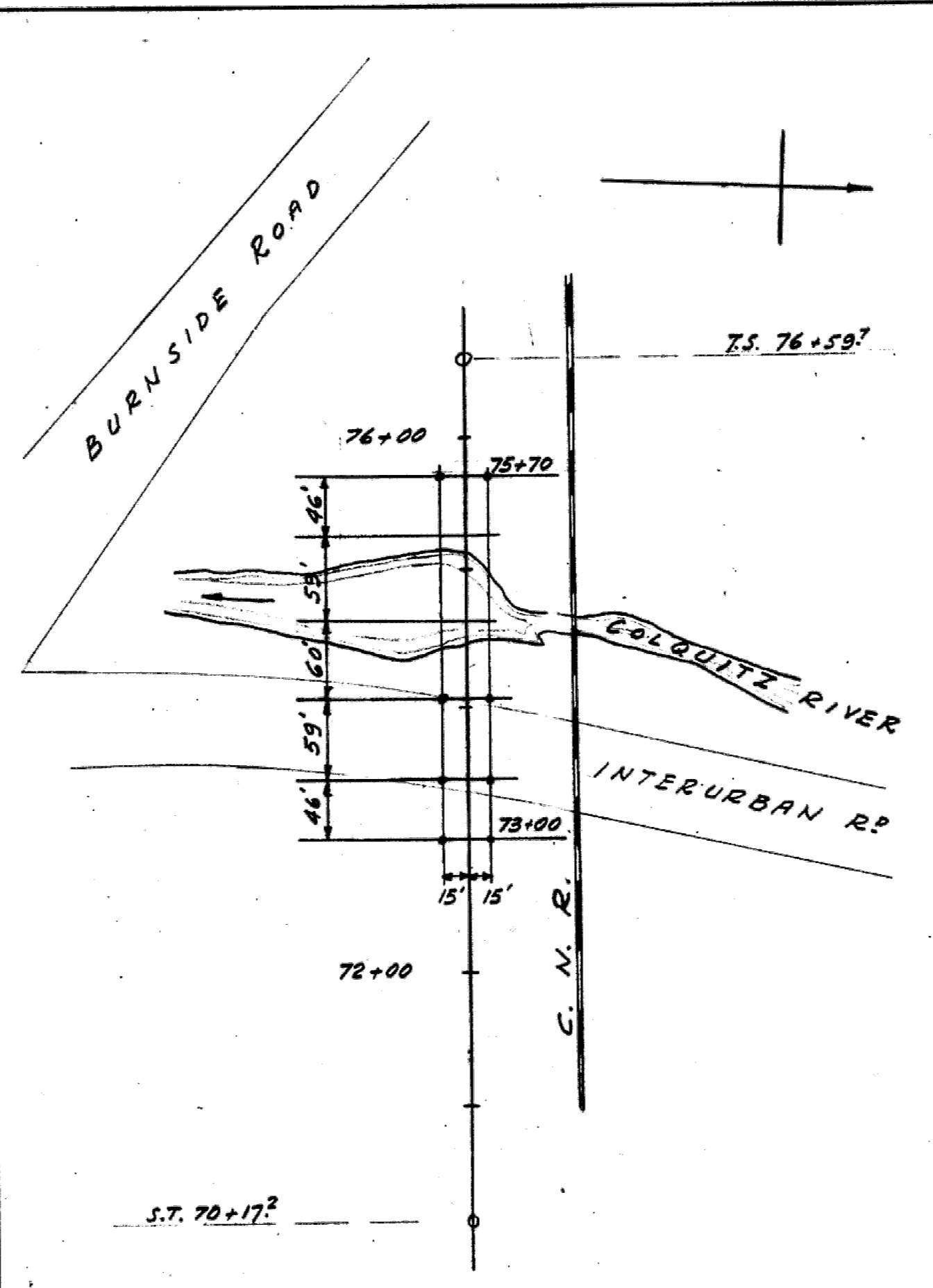
PROJECT DECK BILL NO 1378-X3
COLQUITZ RIVER BRIDGE SHEET NO 1 of 1
 DRAWING FILE NO 1378 MADE BY J.D.J.
 LETTER FILE NO 41 CHECKED BY MW
 DATE Mar. 6/53



STANDARD HOOKS

Bar Size	U	V	A	G	E	F
1 1/4"	8"	5"	1-3"			
1 1/8"	8"	4 1/2"	1-2 1/2"			
1"	7"	4"	1-0 1/2"			
3/4"	6"	3 1/2"	10 1/4"			
5/8"	5"	3"	9"			
1/2"	4"	2 1/2"	7"			
3/8"	3"	2"	5"			

ITEM	MARK	TYPE	NO	SIZE	LENGTH	BENDS											WEIGHT		
						A	B	C	D	E	F	G	H	L					
1	A	XI	540	5			5"												
2	B1	V	539	5															
3	B2	V	539	5															
4	C	E	538	5		7"	6"	4"	6-6 1/2"										
5	D	X2	540	4				2 1/2"	1-4"										
6	E	V	540	4															
7	F	L	228	4		5"													
8	T1	T1	16	3			7"	4"											
9	T2	T1	136	3			7"	4"											
10	T3	T1	16	3			9"	4"											
11			270	5	28-0"	Straight bars													
12			5	3600	Lin. ft. straight bars (30ft. lengths)														
13			4	18500	" " " "														
14	S1		44	3	8-6"	Straight bars													
15	S2		748	3	7-2"	" " " "													
16			1384	3	4-5"	" " " "													
17						#15 ga. black annealed wire											730#		
						Total weight											73200#		



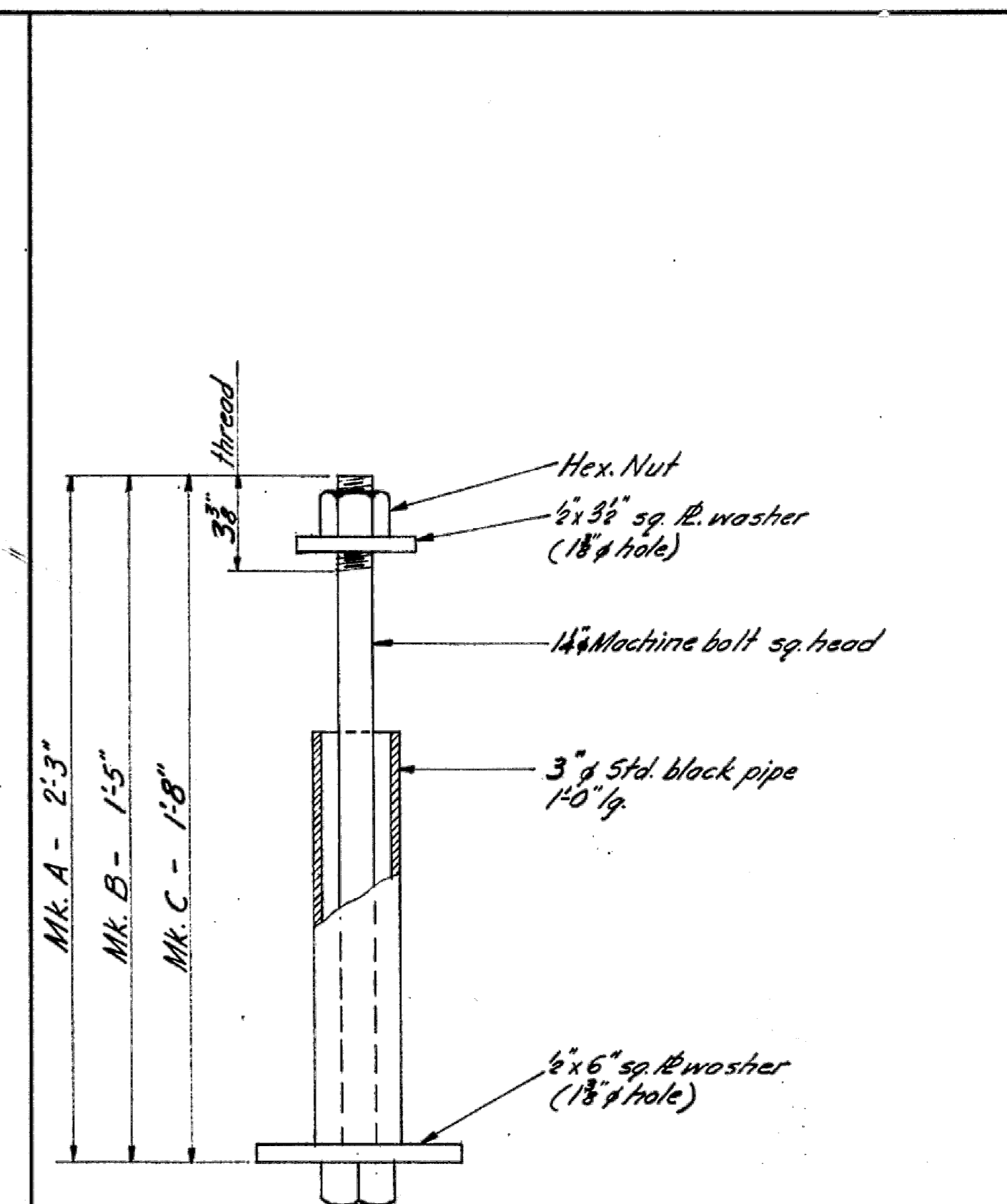
+ Test hole

GOVT. OF BRITISH COLUMBIA, DEPT. OF PUBLIC WORKS
 BRIDGE ENGINEER'S OFFICE.

LOCATION OF TEST HOLES
 COLQUITZ RIVER
 TRANS CANADA HIGHWAY

Made by J.G.R.	Checked by S.K.
Init. Date	Init. Date
Approved-	

S. K.
Bridges
1378-2



NOTE Assembly not to be painted

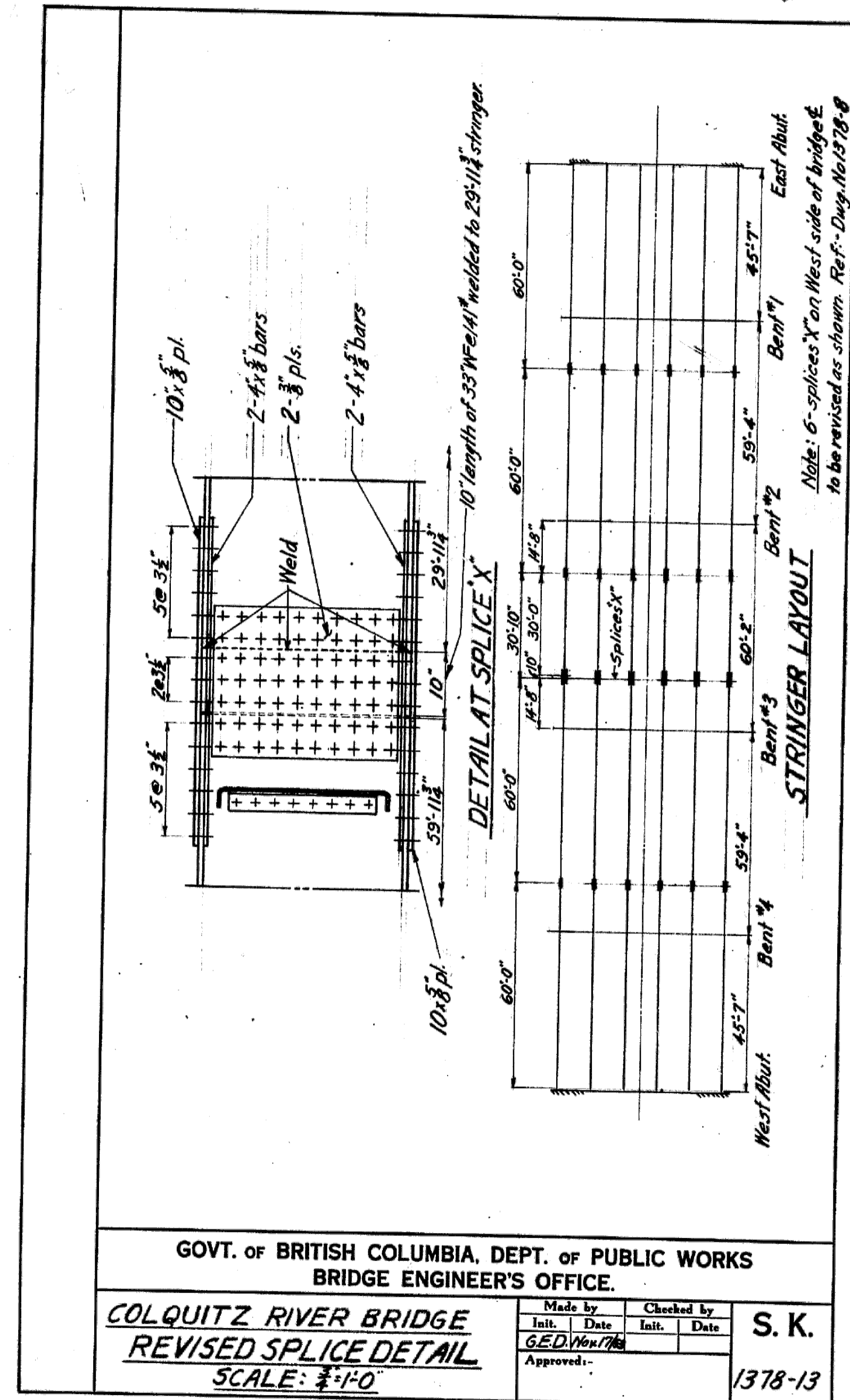
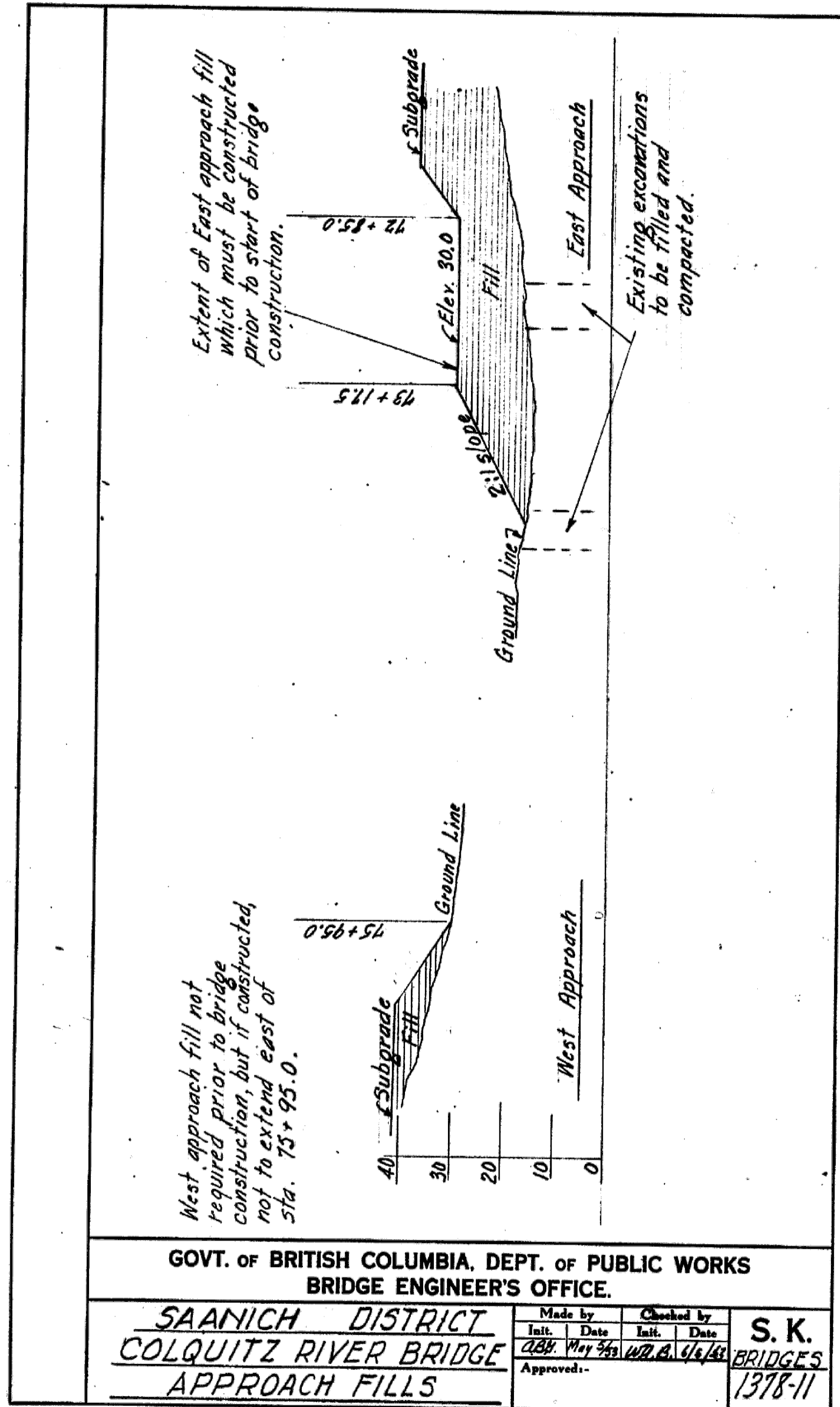
Mk. A - weight of one assembly - 25 lbs. - 16 required
 Mk. B - do do do do - 22 lbs. - 48 required
 Mk. C - do do do do - 23 lbs. - 8 required

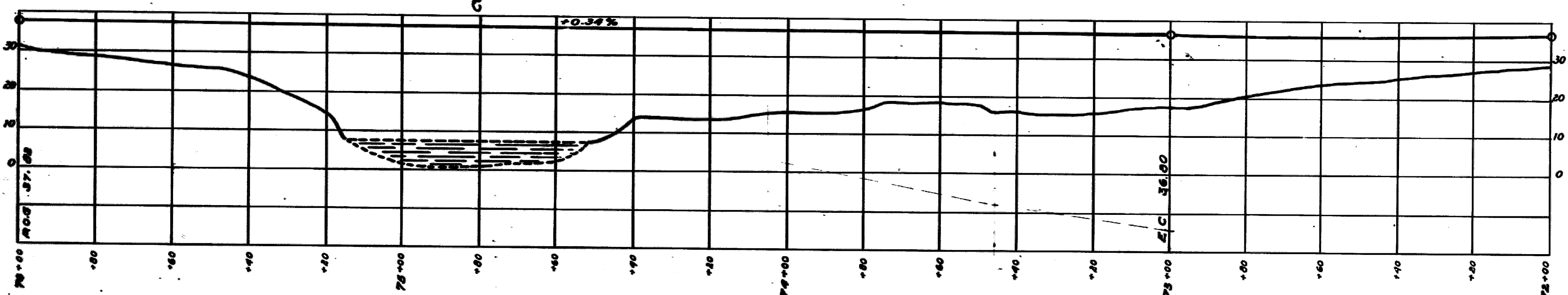
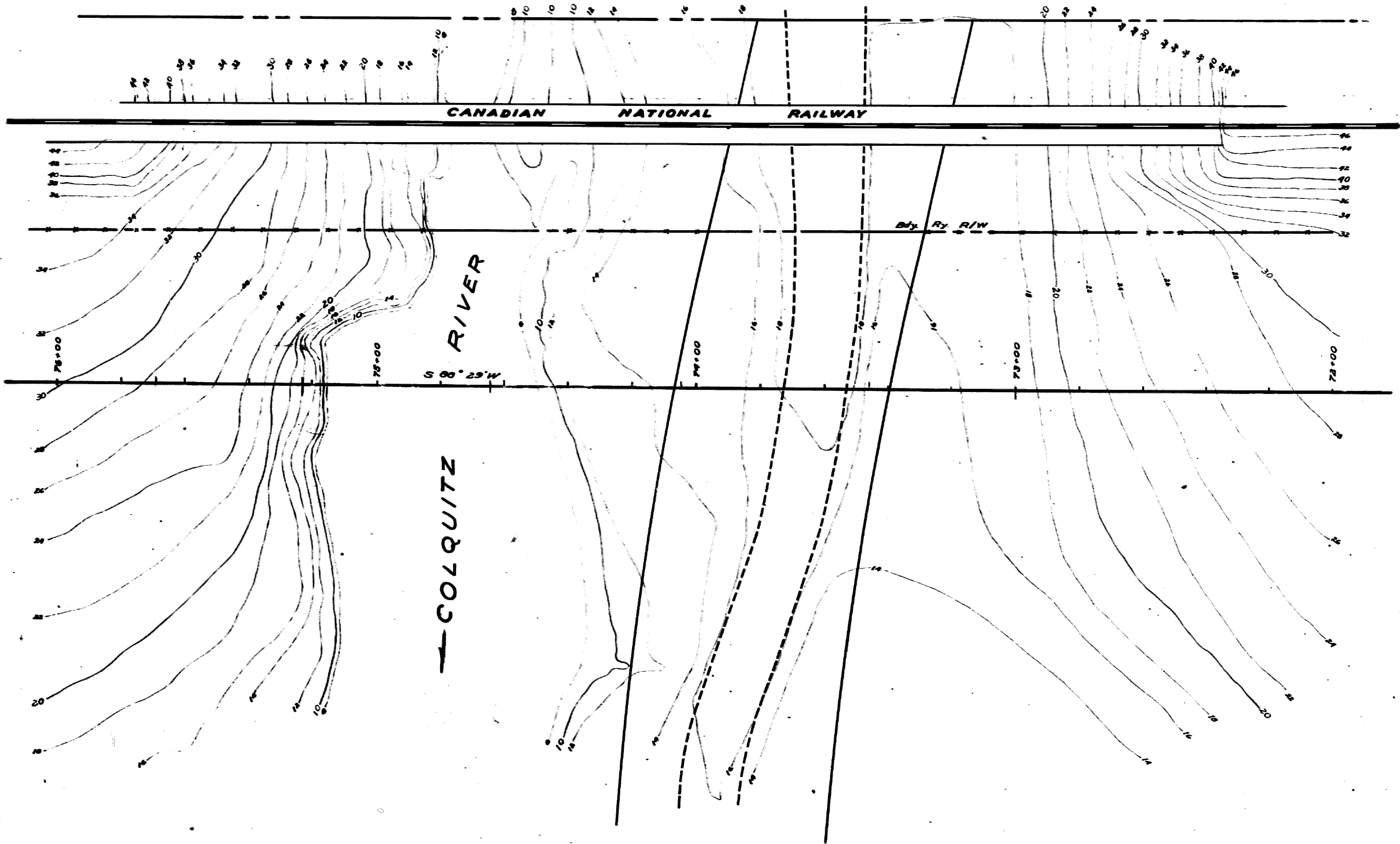
GOVT. OF BRITISH COLUMBIA, DEPT. OF PUBLIC WORKS
 BRIDGE ENGINEER'S OFFICE.

COLQUITZ RIVER BRIDGE
 ANCHOR BOLT ASSEMBLIES
 NOT TO SCALE

Made by G.E.D.	Checked by S.K.
Init. Date	Init. Date
Approved-	

S. K.
1378-10





Department of Public Works

SITE PLAN

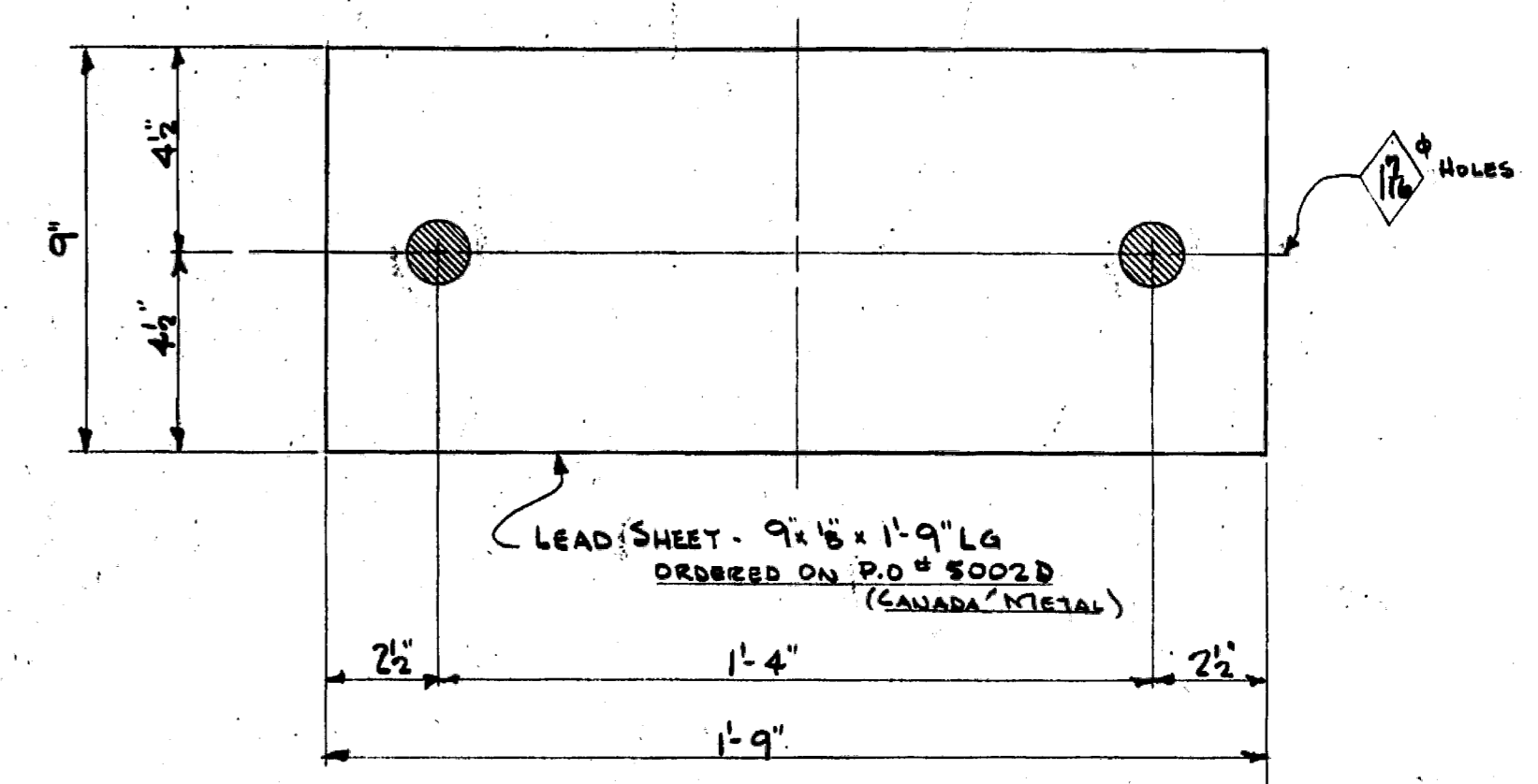
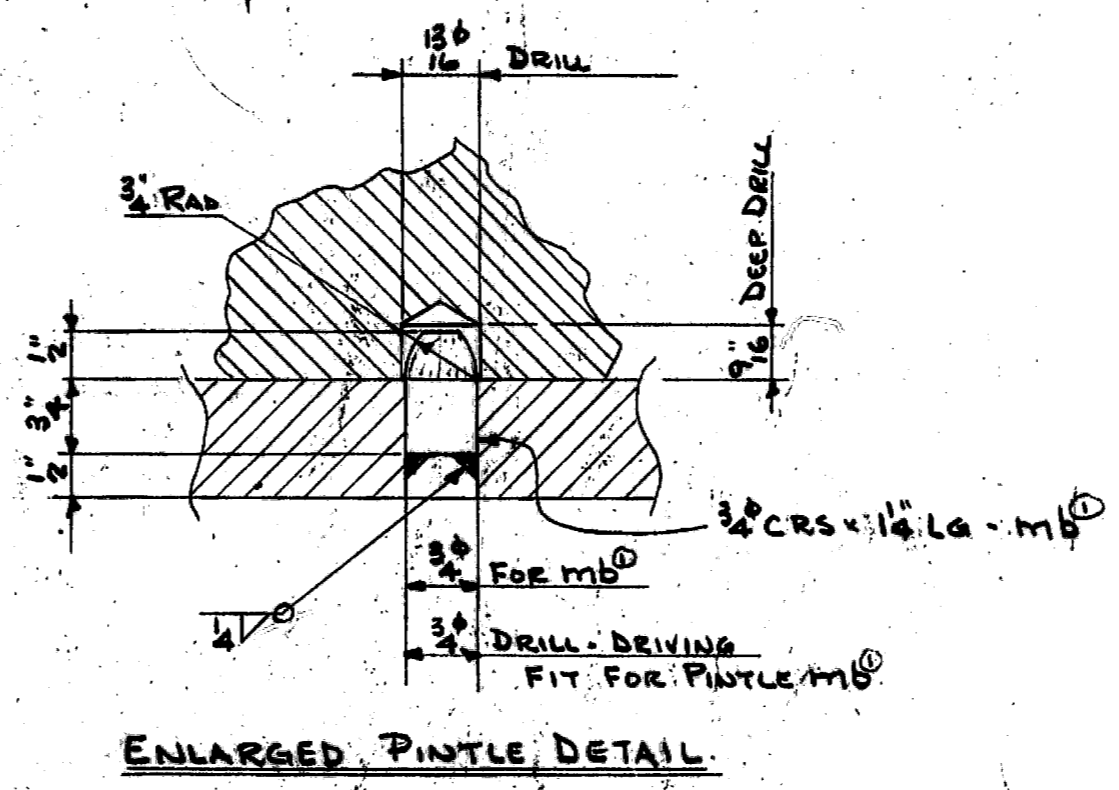
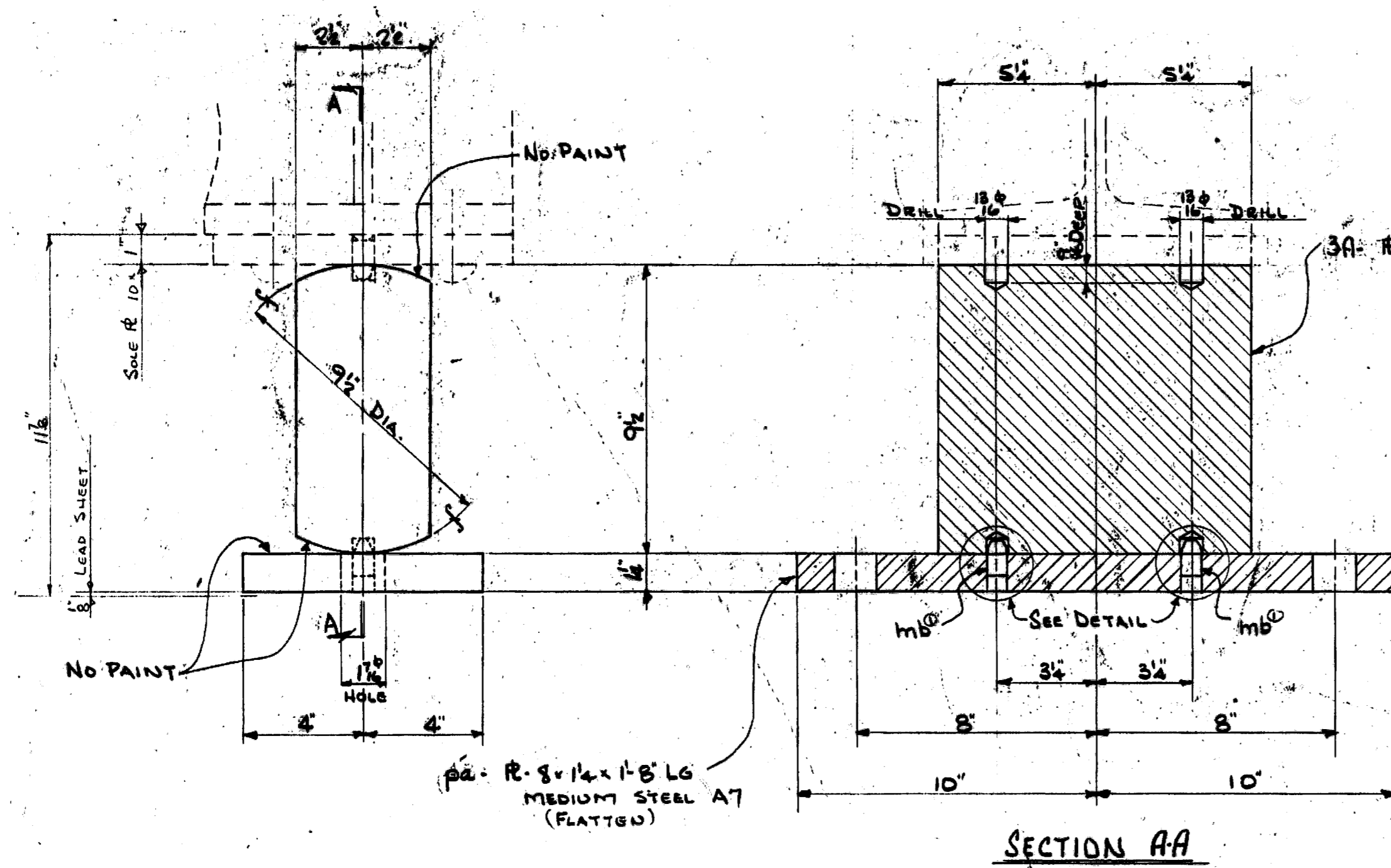
TRANS CANADA HIGHWAY

VICTORIA-PARSON'S BRIDGE
COLQUITZ RIVER
INTERURBAN ROAD
STA. - 74+80
Scales As Shown

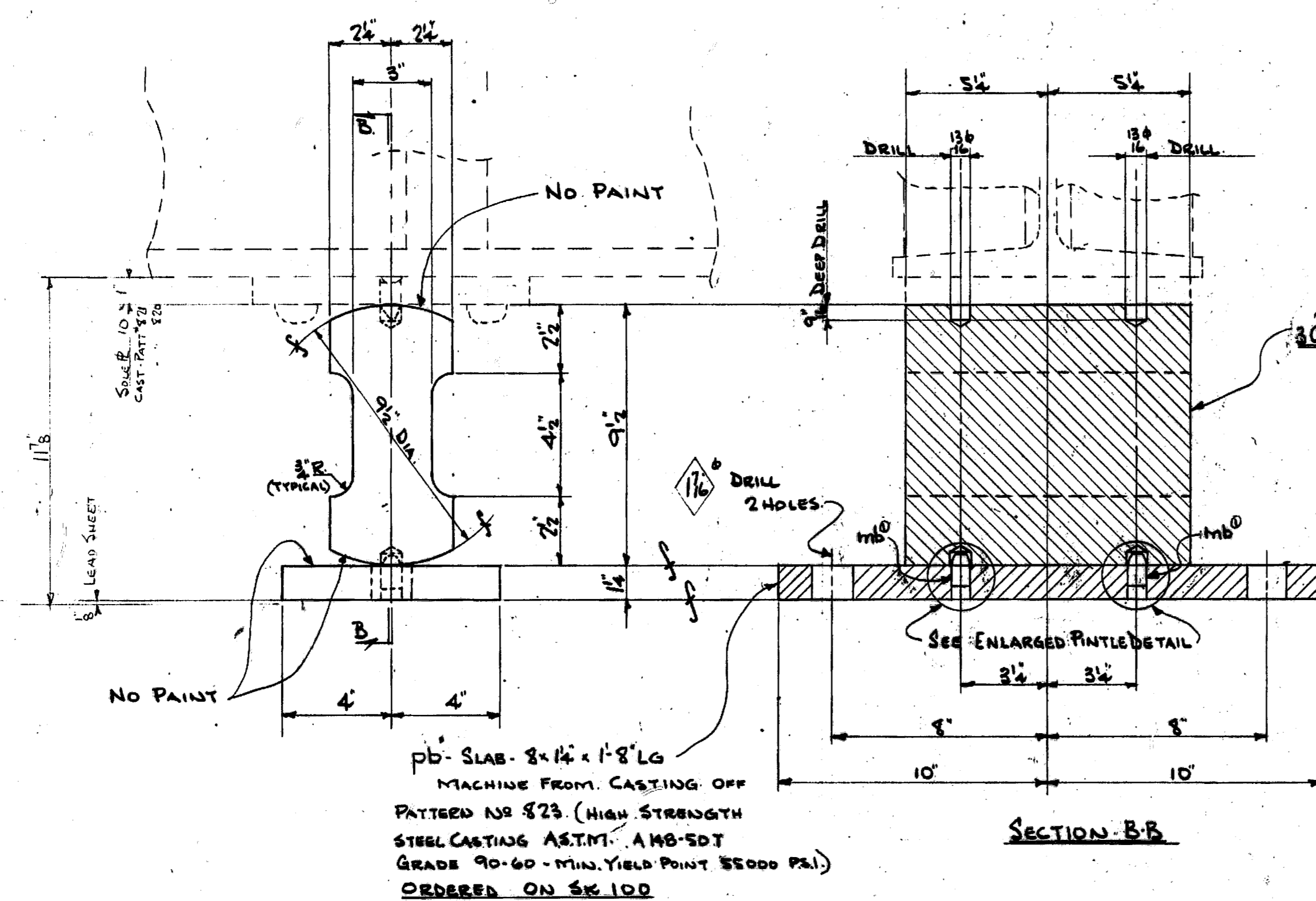
Dist. Plan No. 237-5
Location Engineer
Date: - 2- April 1952.

BRIDGES

1378-1

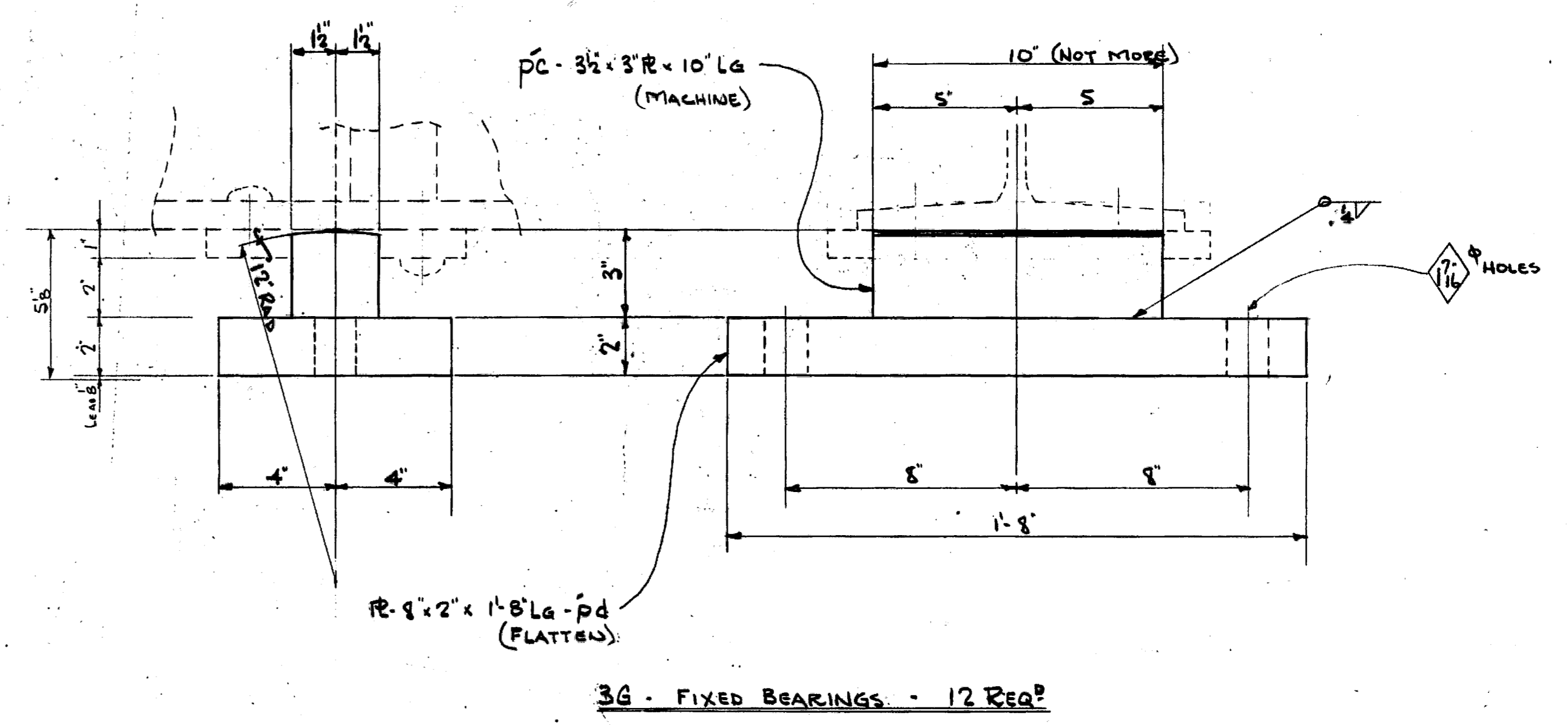


END EXPANSION BEARINGS
3A - SEGMENTAL ROLLERS - 12 REQ²
3B - BED PLATE - 12 REQ²



3C - MACHINE FROM CASTING OFF PATTERN NO 822 (HIGH STRENGTH STEEL CASTINGS ASTM. A148-SQT. GRADE 90-60 MINIMUM YIELD POINT 55,000 P.S.I.) ORDERED ON SK 100

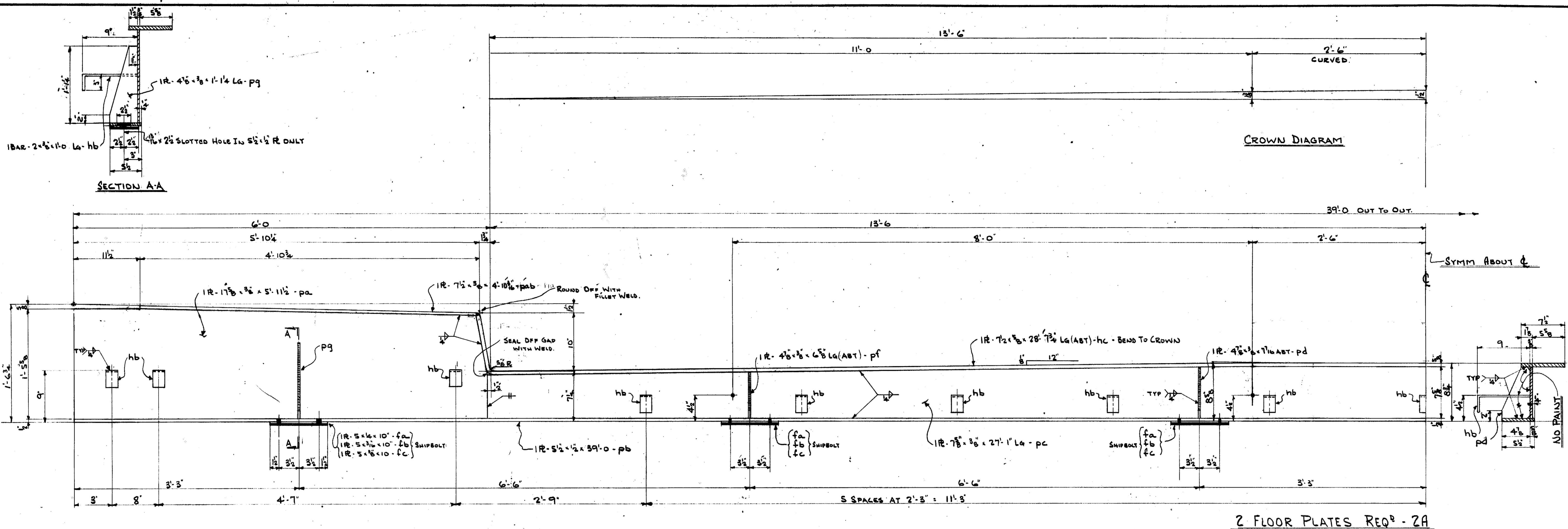
INTERMEDIATE EXPANSION BEARINGS
3C - SEGMENTAL ROLLERS - 12 REQ²
3D - BED PLATES - 12 REQ²



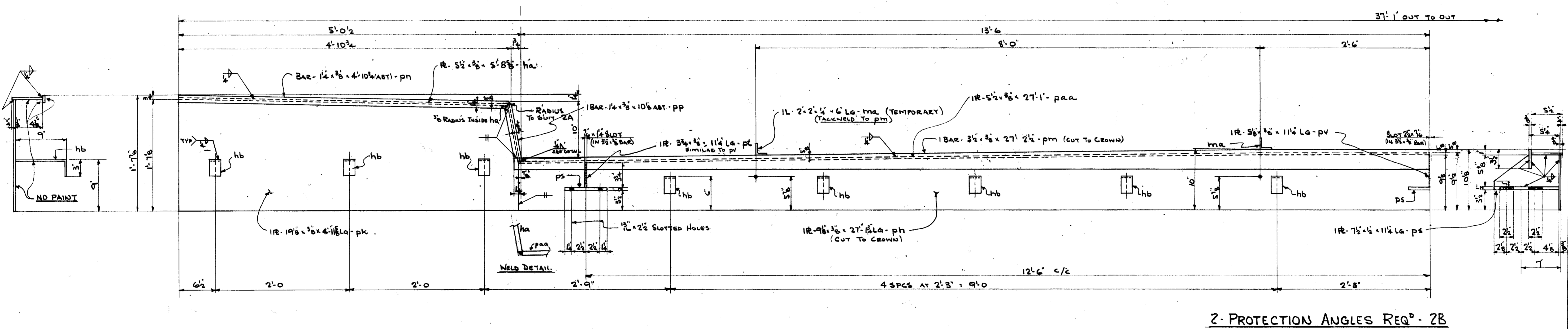
52667

Ref. D.P.W. 220 - 1310-B

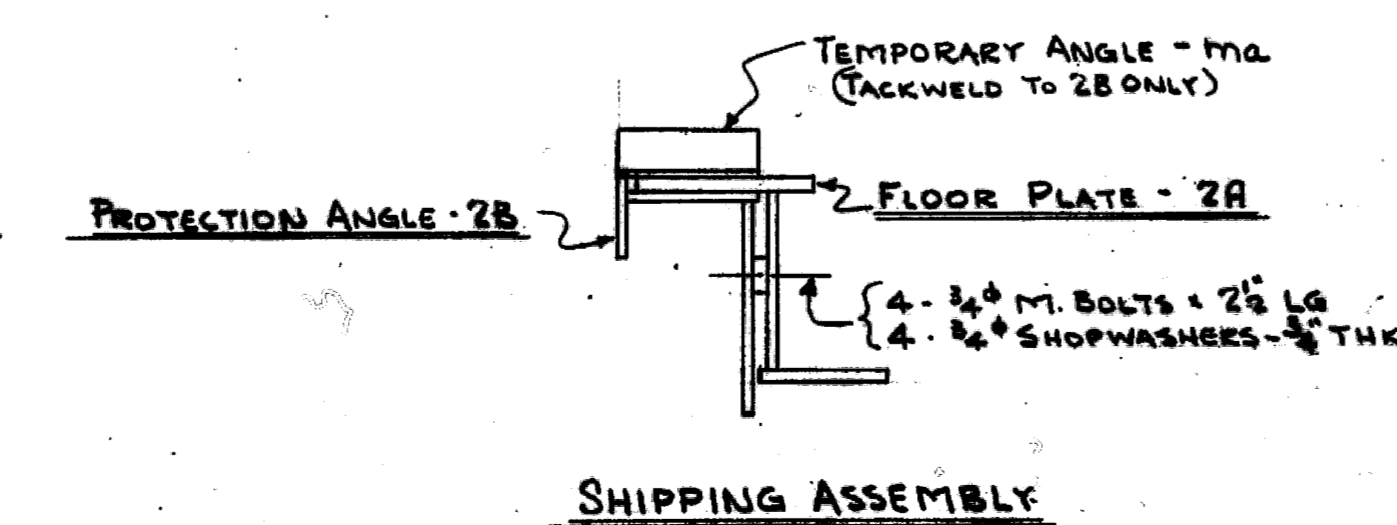
MATERIAL ON LOOSE BILL TO SPECIFICATION		30	
DRAWN BY	APPROVED BY	DOMINION BRIDGE COMPANY LIMITED - Vancouver, B.C.	
DESIGNED BY	CHECKED BY	FOR THE GOVT OF B.C. - DEPT. OF HIGHWAYS	CONTRACT NO. S 3127
REVISIONS	DATE	BRIDGE COLLETT RIVER BRIDGE	NO. 3
		BRIDGE CANADA HIGHWAYS DEPARTMENT	
		SCALE	



2 FLOOR PLATES REQ^o - 2A



2 PROTECTION ANGLES REQ^o - 2B



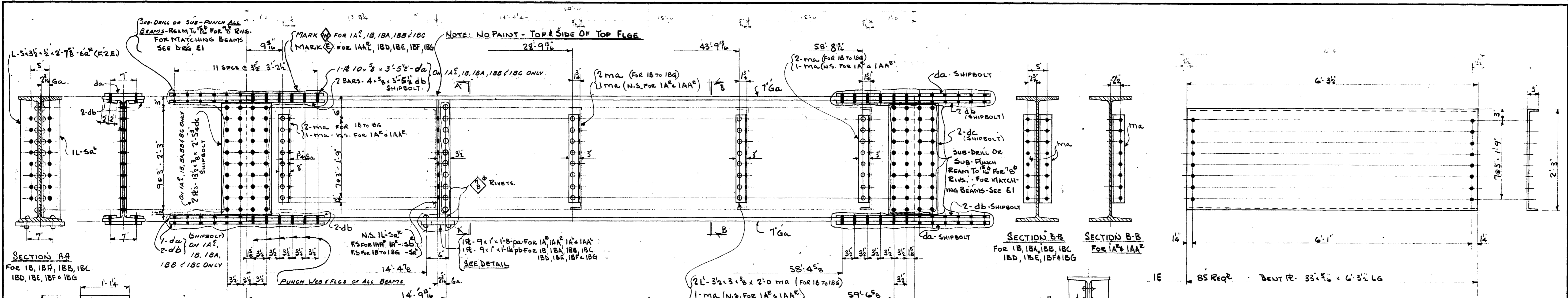
52668

MATERIAL ON LOOSE BILL No. 2a

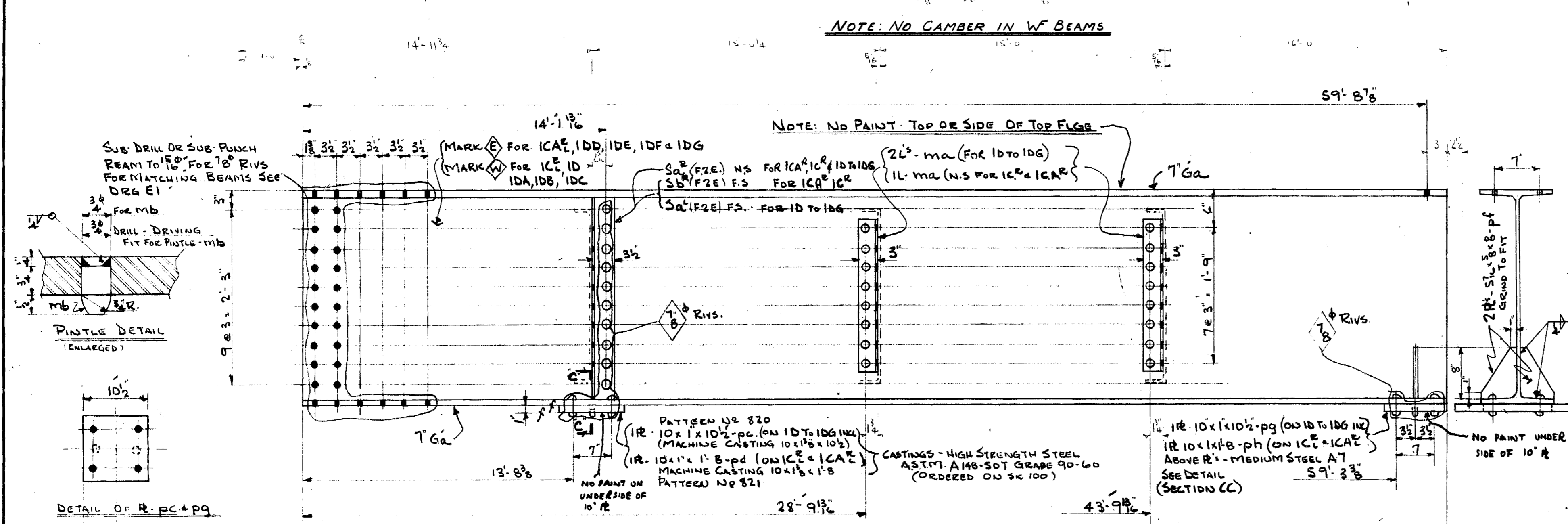
SPECIFICATION	WELDED
CONNECTIONS	WELDED
OPEN HOLES	UNLESS NOTED
PAIN	COAT RED LEAD + COAT ALUMINUM #2 EXCEPT AS NOTED
REVISIONS	

REF: D.P.W. Des. Bridges 1378-B

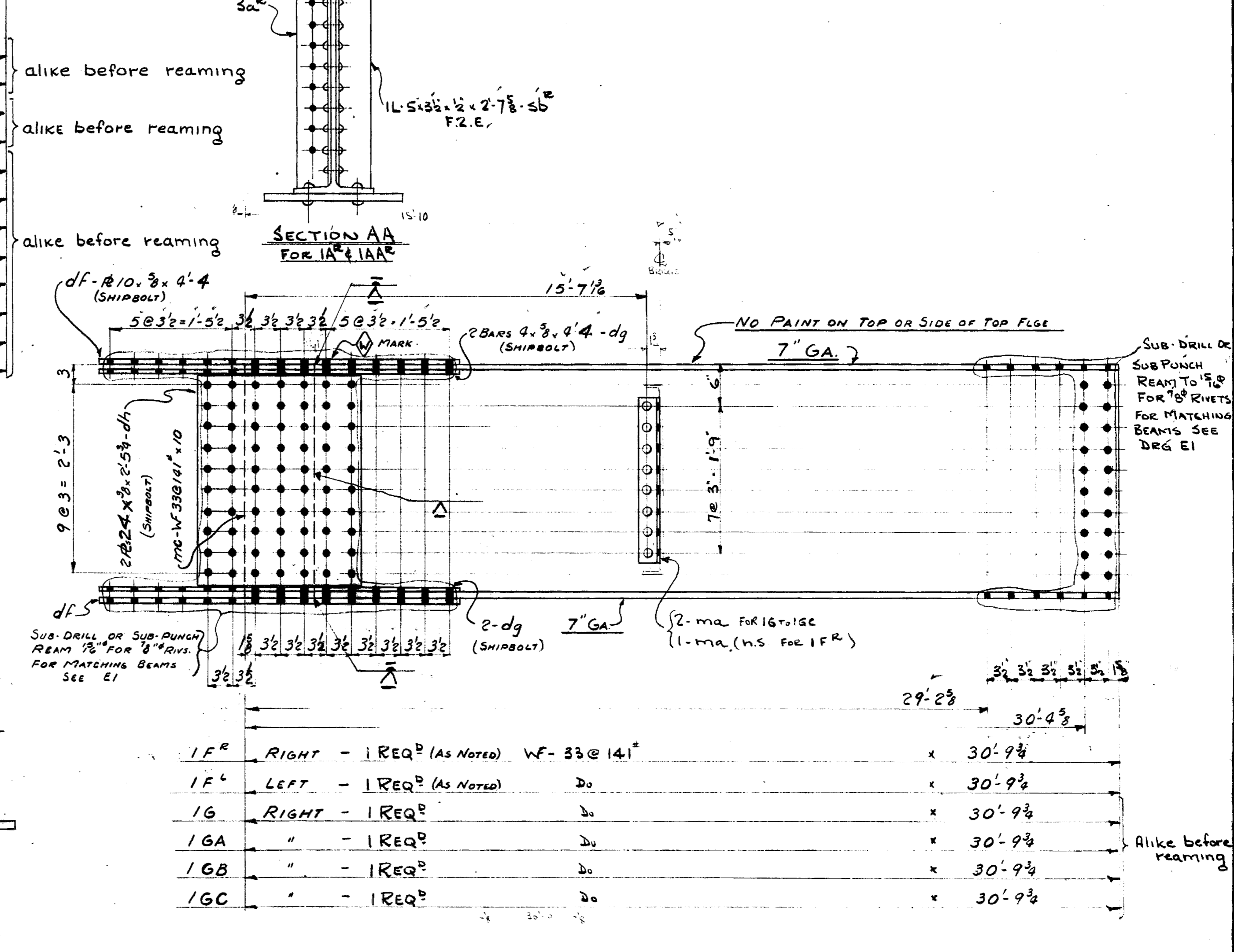
DOMINION BRIDGE COMPANY LIMITED - Vancouver, B.C.		
DRAWN KM 2/1/53	PROPRIETOR GOVT OF B.C. - DEPT OF PUBLIC WORKS	CONTRACT No. S 3189
CHECKED C.M. 3/1/53	PURCHASER DO	DRAWING No. 2
APPROVED 3/25/53	DESCRIPTION COLQUITZ RIVER BRIDGE - SPAN 1378-B	
SCALE	DETAIL FLOOR PLATES & PROTECTION LT	



Beam Label	Position	Requirement	Material	Length	Notes
1AA ^R	RIGHT (AS NOTED)	1 REQ ^d	WF-33 $\frac{1}{2}$ x 11 $\frac{1}{2}$ x 5 $\frac{1}{2}$ @ 141"	59'-11 $\frac{1}{2}$ " Lg	alike before reaming
1A ^R	RIGHT (AS NOTED)	1 REQ ^d	Do	59'-11 $\frac{1}{2}$ " Lg	
1A ^L	LEFT (AS NOTED)	1 REQ ^d	Do	59'-11 $\frac{1}{2}$ " Lg	alike before reaming
1AA ^L	LEFT (AS NOTED)	1 REQ ^d	Do	59'-11 $\frac{1}{2}$ " Lg	
1B	RIGHT	1 REQ ^d	Do	59'-11 $\frac{1}{2}$ " Lg	
1BA	"	1 REQ ^d	Do	59'-11 $\frac{1}{2}$ " Lg	
1BB	"	1 REQ ^d	Do	59'-11 $\frac{1}{2}$ " Lg	alike before reaming
1BC	"	1 REQ ^d	Do	59'-11 $\frac{1}{2}$ " Lg	
1BD	"	1 REQ ^d	Do	59'-11 $\frac{1}{2}$ " Lg	
1BE	"	1 REQ ^d	Do	59'-11 $\frac{1}{2}$ " Lg	
1BF	"	1 REQ ^d	Do	59'-11 $\frac{1}{2}$ " Lg	
1BG	"	1 REQ ^d	Do	59'-11 $\frac{1}{2}$ " Lg	



Beam Label	Position	Requirement	Material	Length	Notes
1C ^R	RIGHT	1 REQ ^d	WF-33 @ 141"	59'-11 $\frac{1}{2}$ "	alike before reaming
1C ^L	LEFT	1 REQ ^d	Do	59'-11 $\frac{1}{2}$ "	
1CA ^L	LEFT	1 REQ ^d	Do	59'-11 $\frac{1}{2}$ "	alike before reaming
1C ^L	"	1 REQ ^d	Do	59'-11 $\frac{1}{2}$ "	
1D	RIGHT	1 REQ ^d	Do	59'-11 $\frac{1}{2}$ "	
1DA	"	1 REQ ^d	Do	59'-11 $\frac{1}{2}$ "	
1DB	"	1 REQ ^d	Do	59'-11 $\frac{1}{2}$ "	alike before reaming
1DC	"	1 REQ ^d	Do	59'-11 $\frac{1}{2}$ "	
1DD	"	1 REQ ^d	Do	59'-11 $\frac{1}{2}$ "	
1DE	"	1 REQ ^d	Do	59'-11 $\frac{1}{2}$ "	
1DF	"	1 REQ ^d	Do	59'-11 $\frac{1}{2}$ "	
1DG	"	1 REQ ^d	Do	59'-11 $\frac{1}{2}$ "	



Beam Label	Position	Requirement	Material	Length	Notes
1F ^R	RIGHT	1 REQ ^d (AS NOTED)	WF-33 @ 141"	30'-9 $\frac{3}{4}$ "	
1F ^L	LEFT	1 REQ ^d (AS NOTED)	Do	30'-9 $\frac{3}{4}$ "	
1G	RIGHT	1 REQ ^d	Do	30'-9 $\frac{3}{4}$ "	
1GA	"	1 REQ ^d	Do	30'-9 $\frac{3}{4}$ "	alike before reaming
1GB	"	1 REQ ^d	Do	30'-9 $\frac{3}{4}$ "	
1GC	"	1 REQ ^d	Do	30'-9 $\frac{3}{4}$ "	

MATERIAL ON LOOSE BILL No. 16

REF. DRW. DES. 1378-B Rev. 10 added to 1F, 1G, 1GA, 1GB - dimensions changed

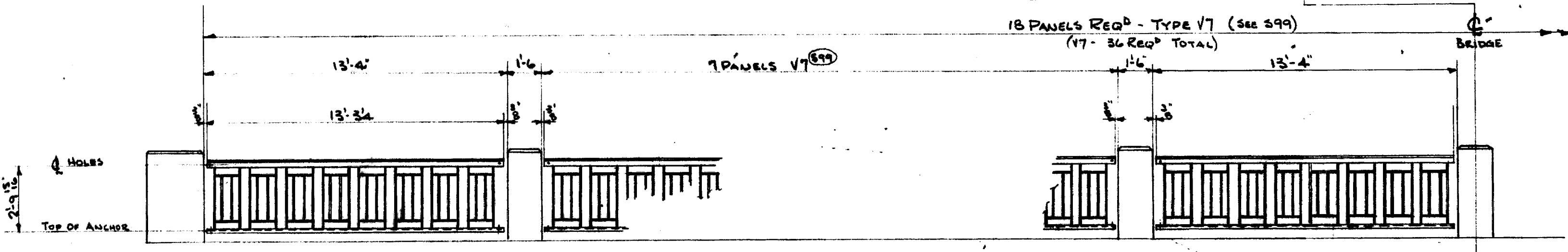
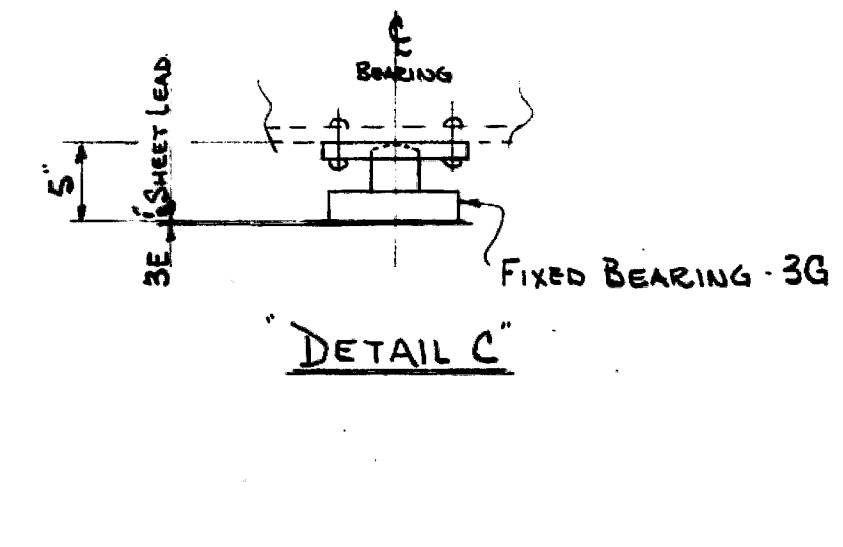
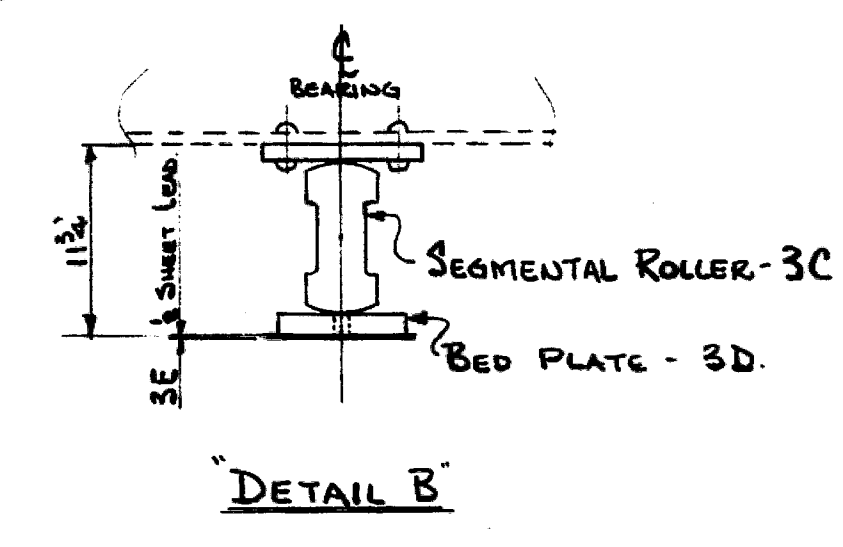
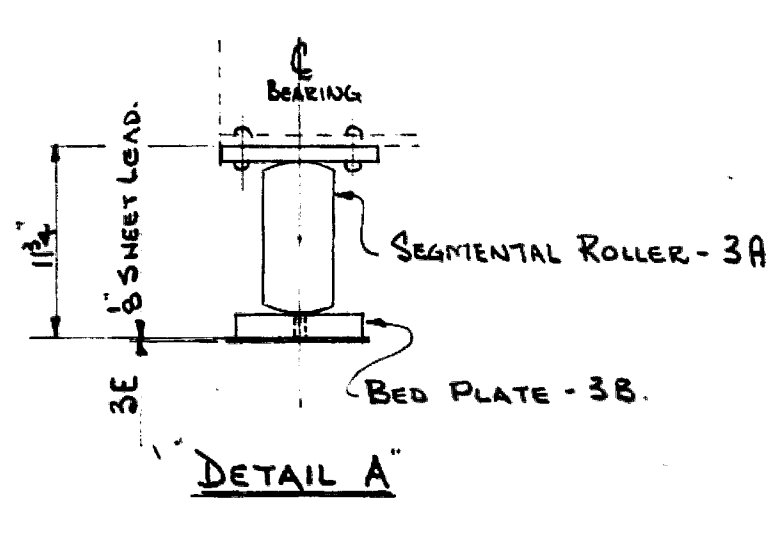
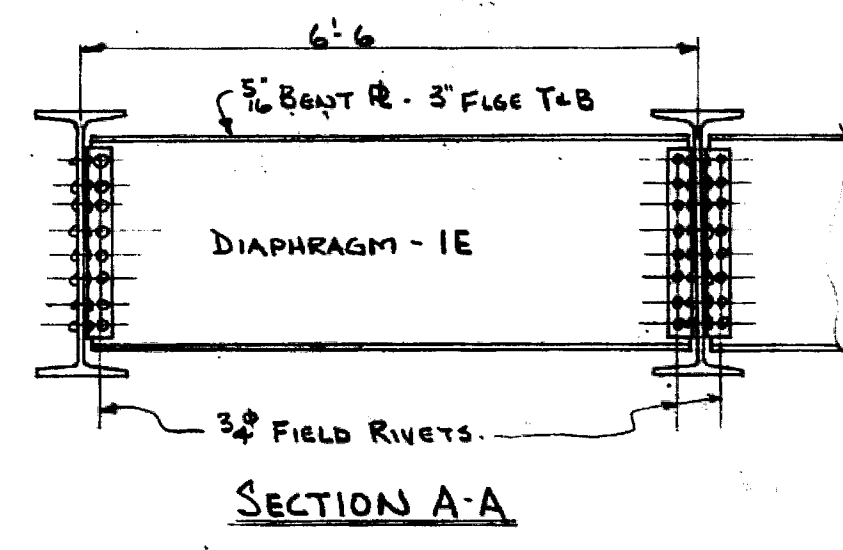
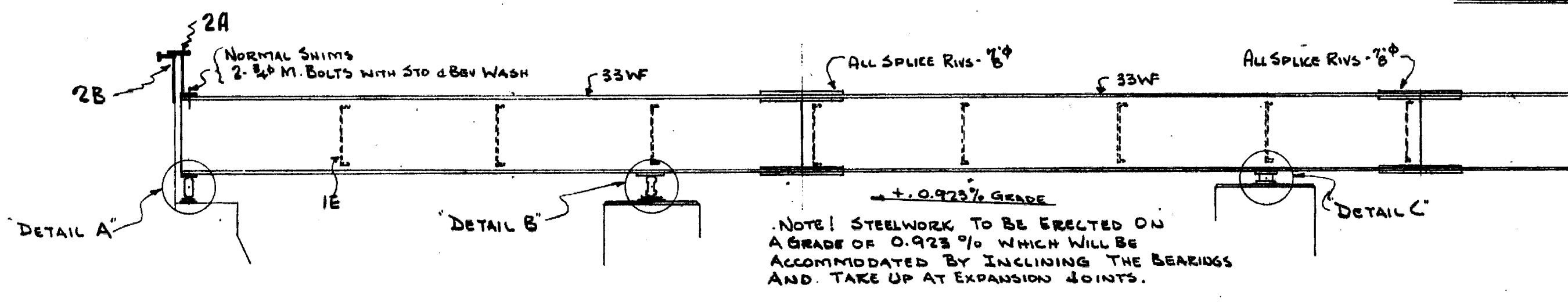
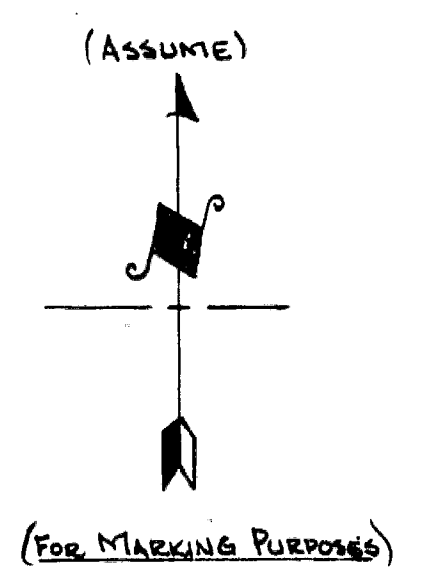
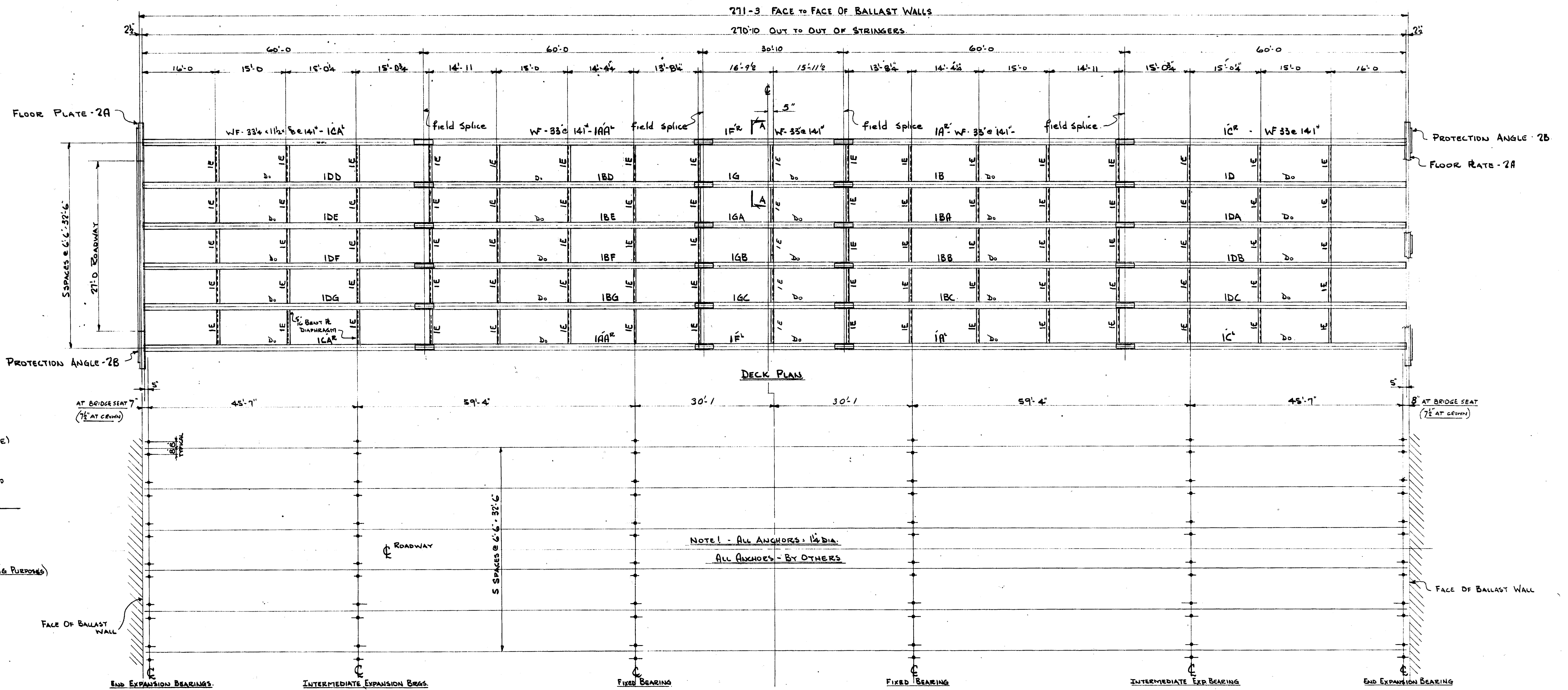
DOMINION BRIDGE COMPANY LIMITED - Vancouver, B.C.

PROPRIETOR: DEPARTMENT OF PUBLIC WORKS
 PURCHASER: GOVT OF B.C.
 DESCRIPTION: COLQUITZ RIVER BRIDGE
 TRAVEL CANADA HIGHWAY, MILE 14 - SEARCH DISTRICT

DRAWN: KM 27/53
 CHECKED: CM 27/53
 APPROVED: 2/2/53
 SCALE: DETAIL

CONTRACT No. S3189
 DRAWING No. 1

1910 PRINTED IN CANADA



FENCE PANELS
(SAME BOTH SIDES)

52670

MATERIAL ON LOOSE BILL No.	
SPECIFICATION	
CONNECTIONS	
OPEN HOLES	
PAINT	
REVISIONS	

REF: DEPT PUBLIC WKS DRG 1378-8 & 587-7		
DOMINION BRIDGE COMPANY LIMITED — Vancouver, B. C. —		
DRAWN KM 2/1/53	PROPRIETOR GOVT OF BC - DEPT OF PUBLIC WORKS	CONTRACT No.
CHECKED JH/1/53	PURCHASER	83189
APPROVED	DESCRIPTION COLQUITZ RIVER BRIDGE JAANICH DIST	DRAWING No.
	TRANS CANADA HIGHWAY M10 1.4	E1
SCALE	DETAIL	ERECTOR DIAGRAM

TABLE OF WEIGHTS	
Fence panel excluding connecting couplings and bolts	each 1.40 lbs
Top rail couplings with hex. nut and 2 bolts	each .91 "
Bottom rail bolt with lock washer and nut	each .37 "
Anchors A1	6.1 "
A2	6.0 "
A3	6.0 "
A4	6.0 "

TABLE OF DIMENSIONS								
TYPE	A	B	C	D	N	Dim. "E" for Posts	Weight of one Panel	Remarks
	Max. 5'2"	Max. 5'	Max. 1'3"	Max. 15'-0"				
	Min. 4'2"	Min. 4'	Min. 1'-0"					

QUANTITIES REQUIRED		
Note: With each panel are furnished 2 top rail couplings and 2 bottom rail bolts		
Contract	Fence panels	Anchors
Name	Dwg.	A1 A2 A3 A4

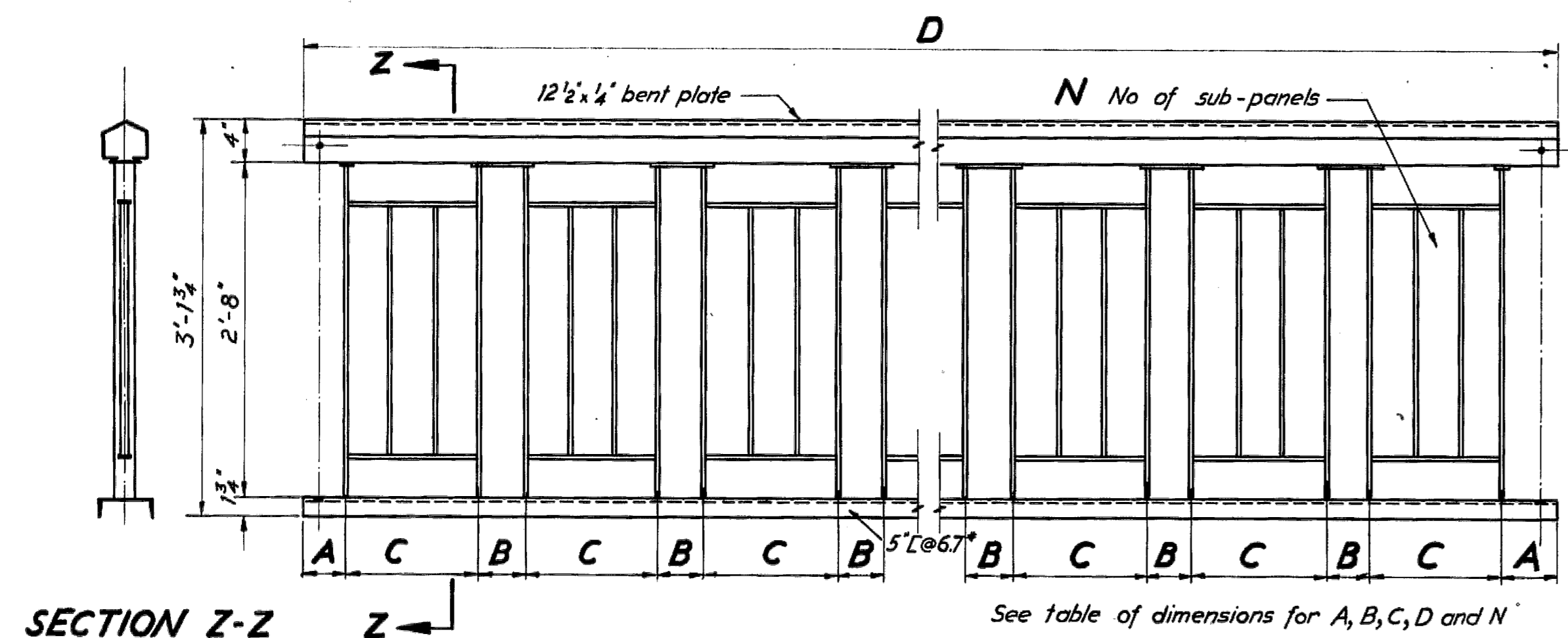
NOTE:
All steelwork painted one shop coat of red lead point except where noted.

Formerly Dwg. NR 587-7

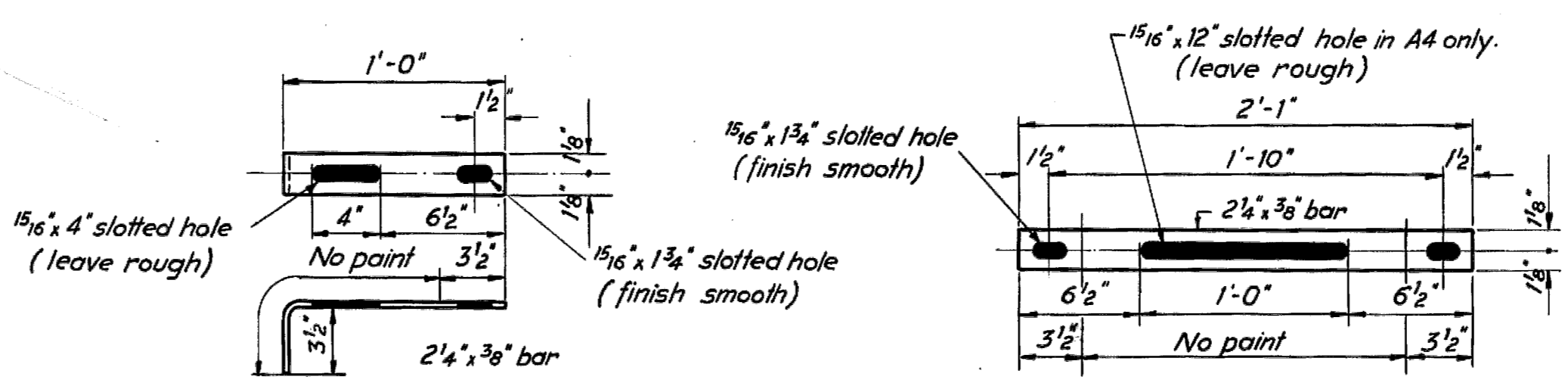
STANDARD ROADWAY FENCE (HEIGHT 3'-6")

REVISIONS				GOVT. OF BRITISH COLUMBIA DEPT. OF HIGHWAYS BRIDGE ENGINEER'S OFFICE	
Rev.	Particulars	Init.	Date	Init.	Date
A	#2 Aluminum shop coat added	R.I.D.			
B	Retraced	R.L.	April-55		
C	#2 Aluminum shop coat deleted	R.L.	Aug. 23-56		
D	Retraced	J.P.	Feb. 57	Checked by: A.B.G.	Dec. 1949
E	Retraced - no revisions	J.P.	Feb. 57	Checked by: J.A.	Jan. 1950
F	Reissued	A.G.	Dec. 59	Approved:	

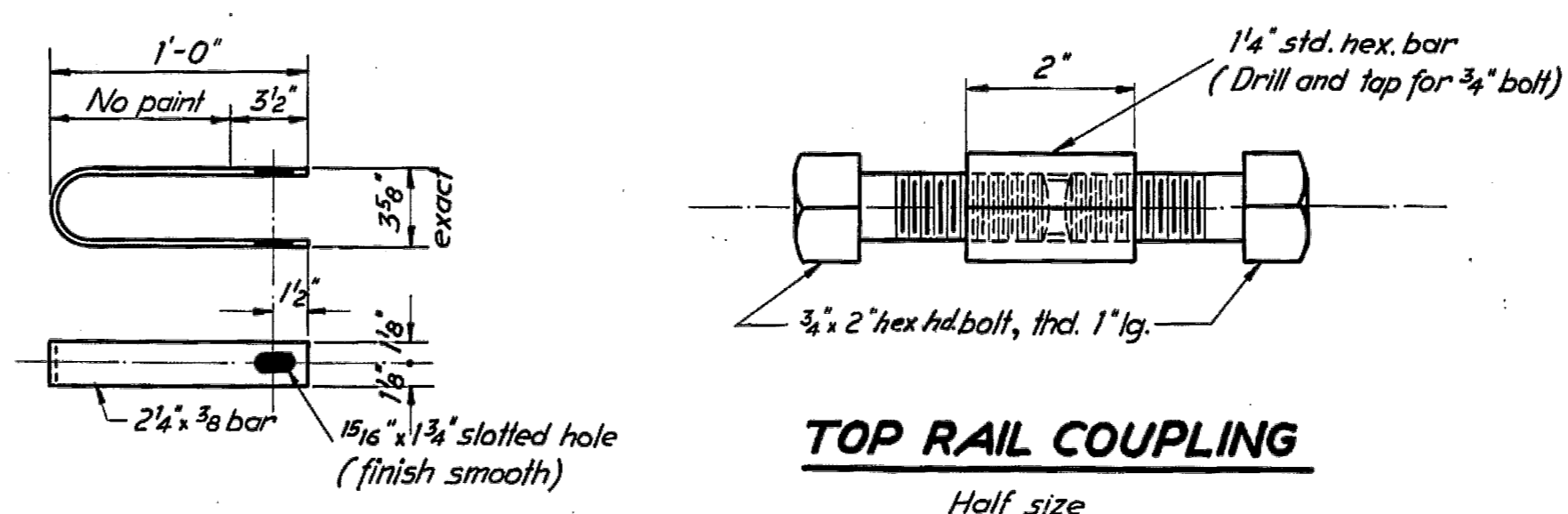
DRAWING NO. 1810-7



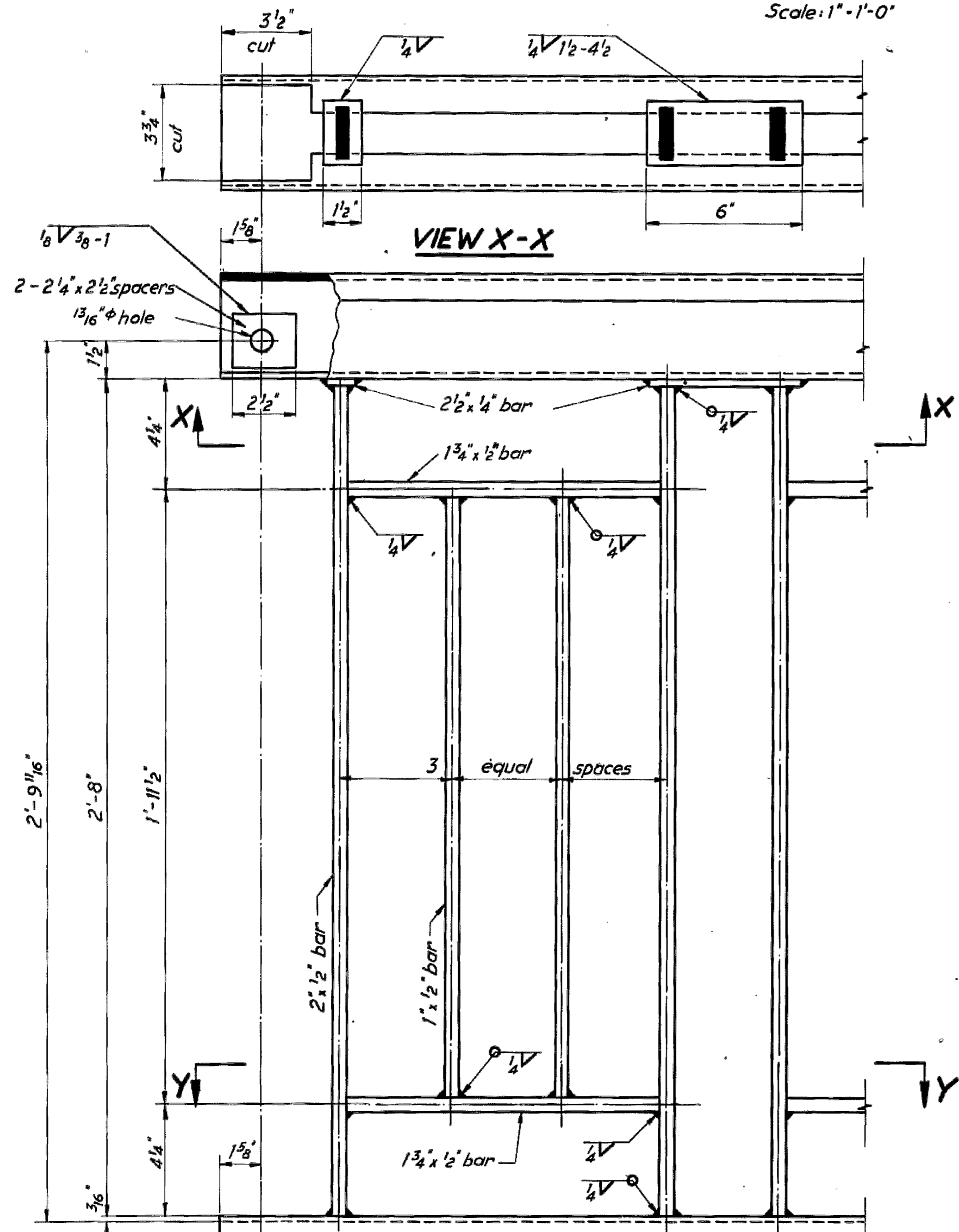
SECTION Z-Z
Scale: 1" = 1'-0"



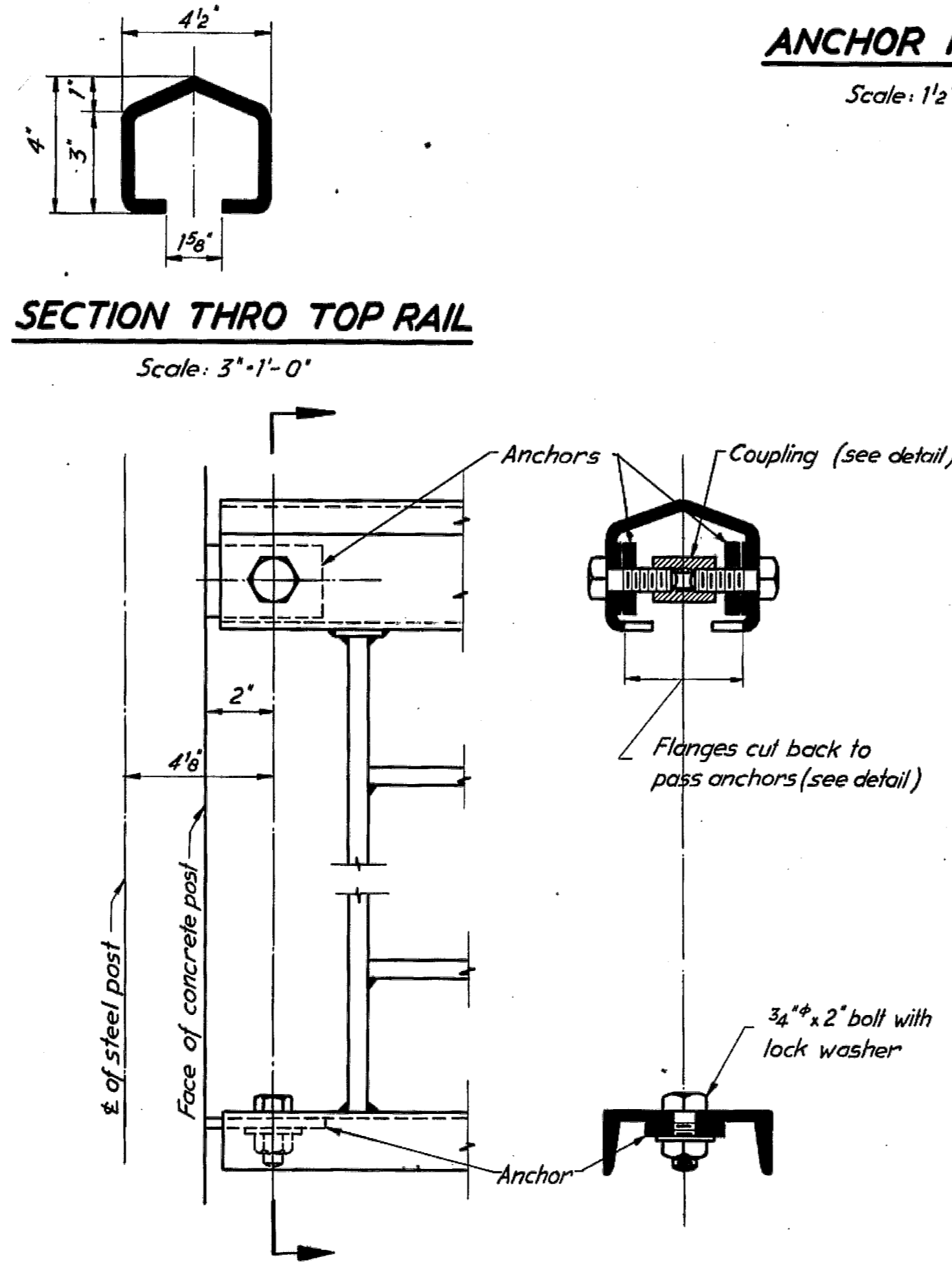
ANCHOR MK. A1 Scale: 1/2" = 1'-0"
ANCHORS MK. A3 AND A4 Scale: 1/2" = 1'-0"



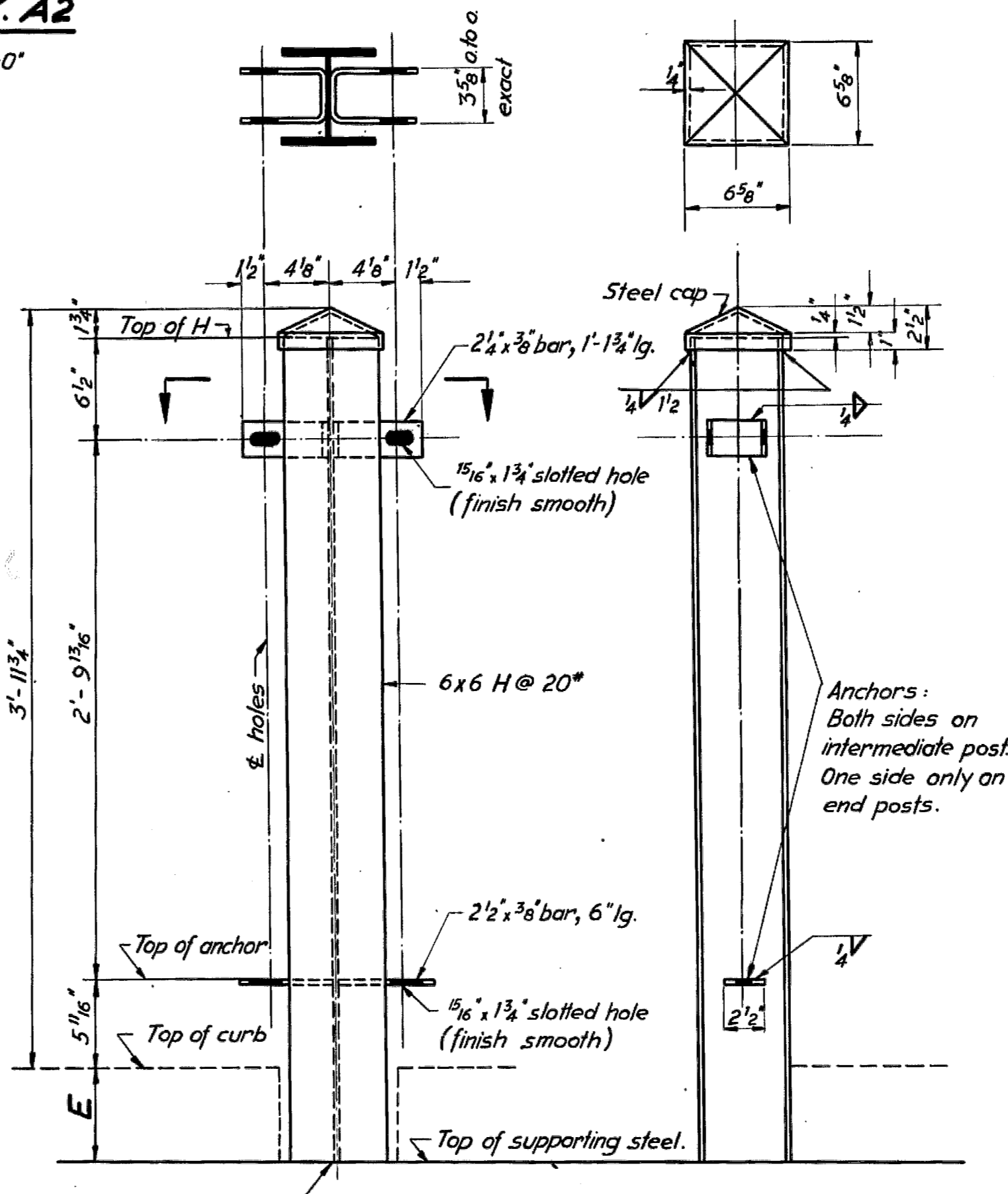
ANCHOR MK. A2 Scale: 1/2" = 1'-0"
TOP RAIL COUPLING Half size



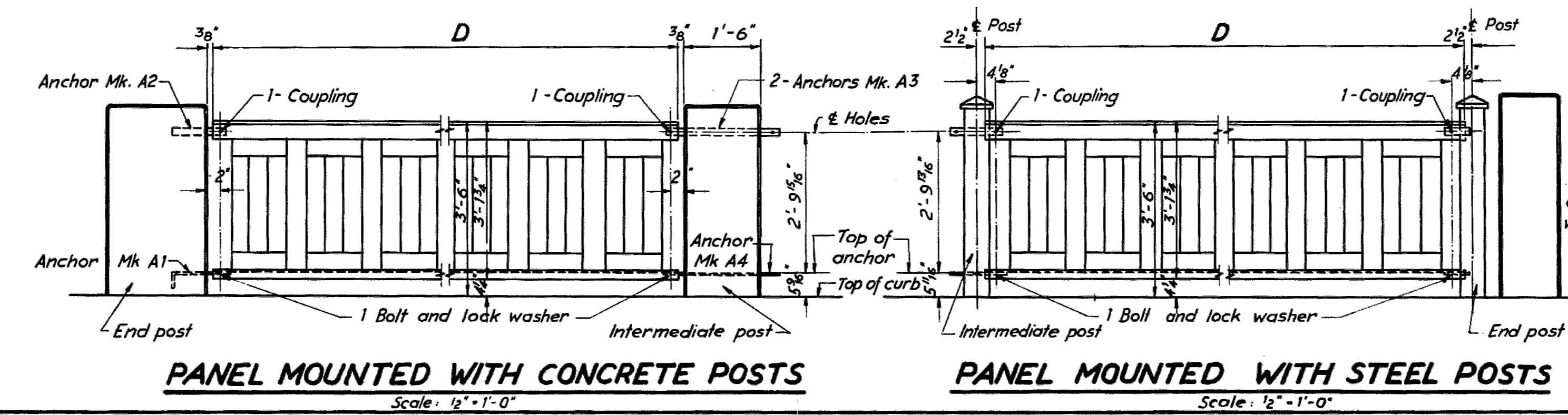
VIEW X-X
VIEW Y-Y
PANEL DETAILS
Scale: 3" = 1'-0"



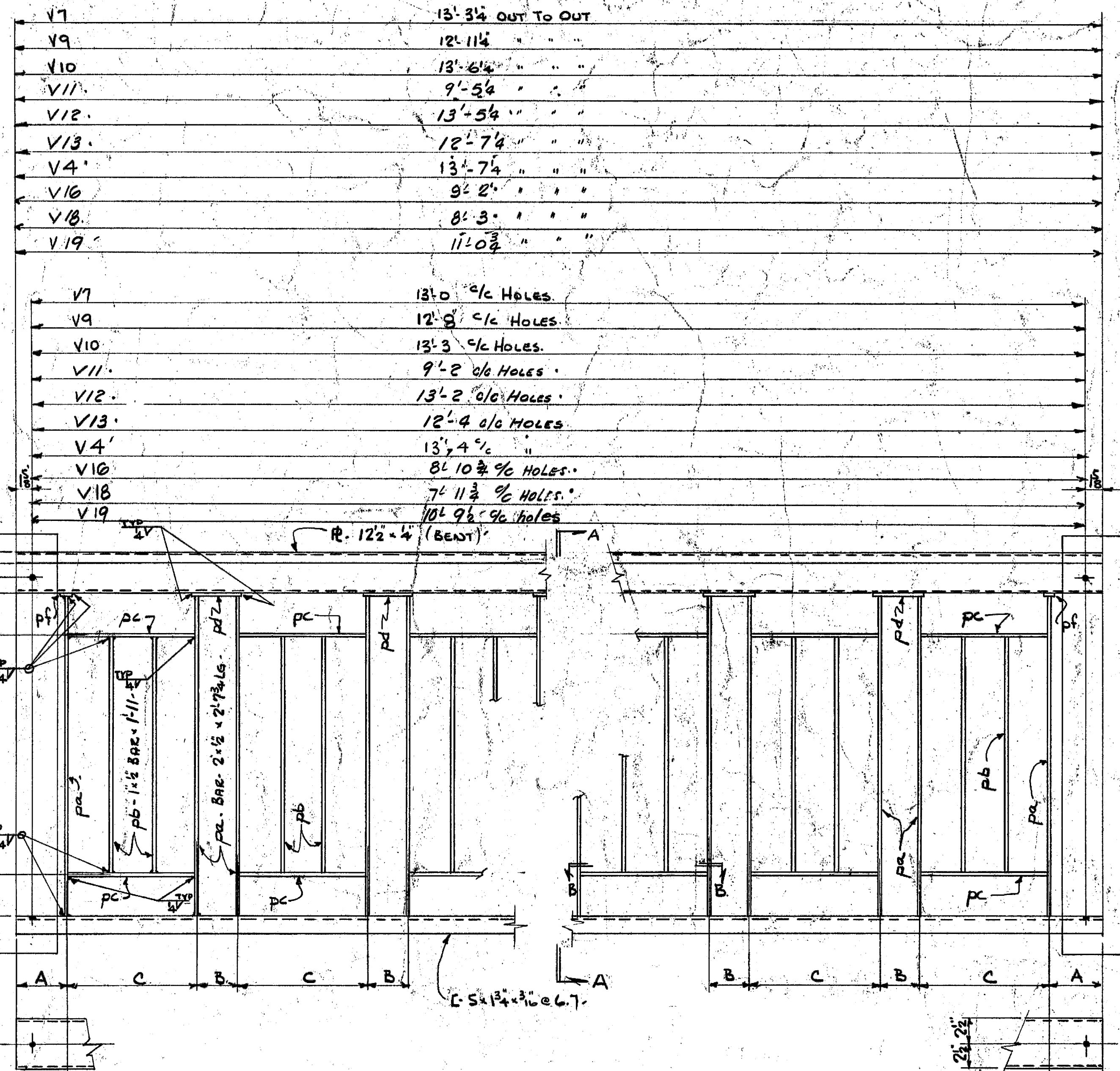
SECTION THRO TOP RAIL Scale: 3" = 1'-0"
DETAIL AT PANEL CONNECTION Scale: 3" = 1'-0"



DETAIL OF POST Scale: 1/2" = 1'-0"

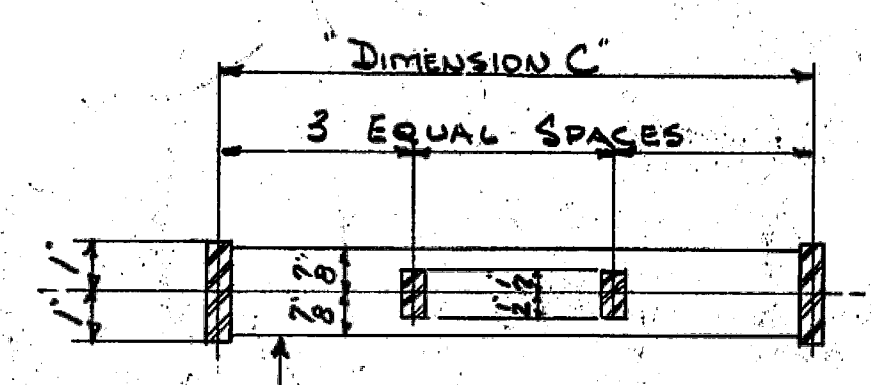


PANEL MOUNTED WITH CONCRETE POSTS Scale: 1/2" = 1'-0"
PANEL MOUNTED WITH STEEL POSTS Scale: 1/2" = 1'-0"

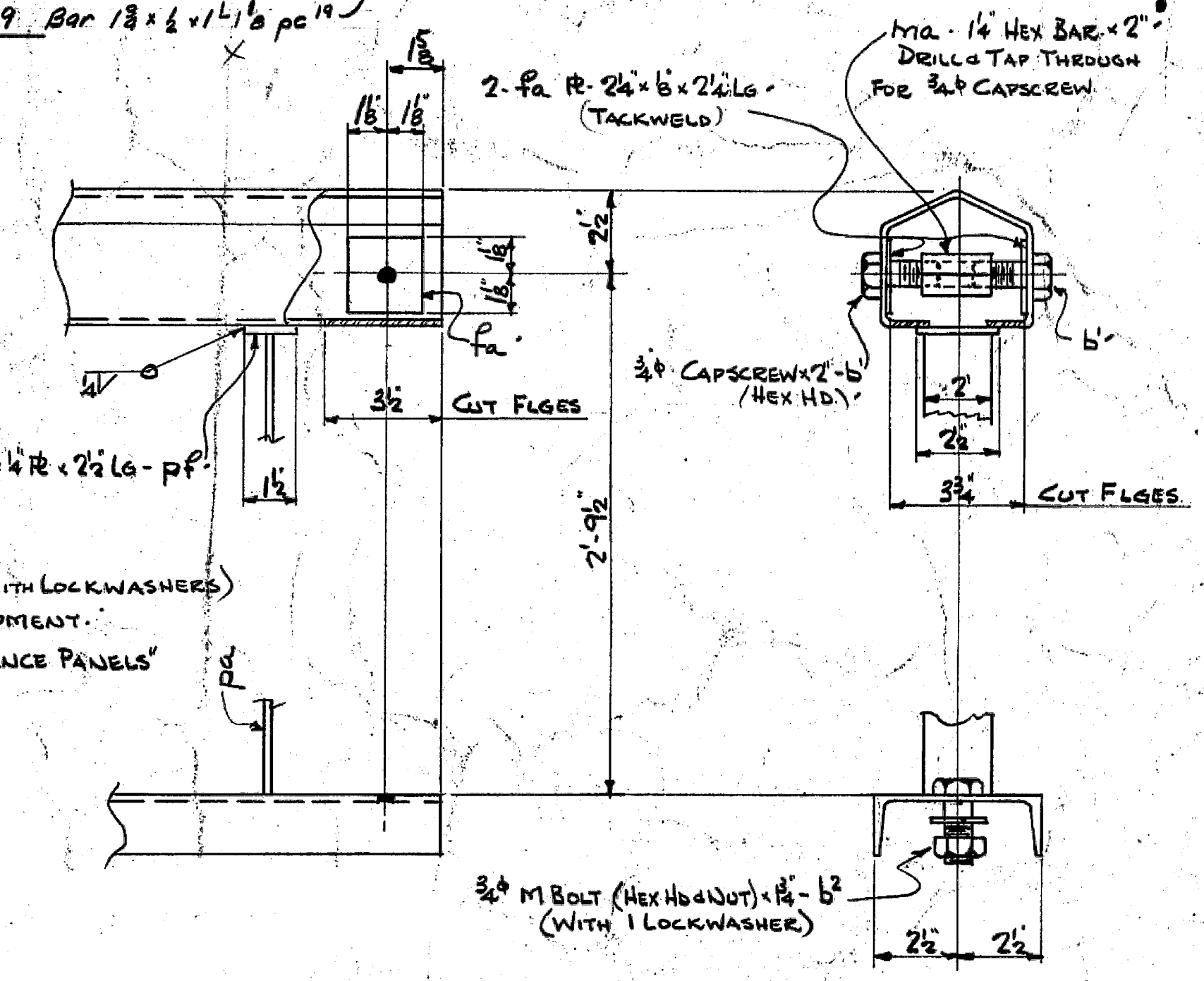


V7	13'-3 1/4" OUT TO OUT
V9	12'-11 1/4"
V10	13'-6 1/4"
V11	9'-5 1/4"
V12	13'-5 1/4"
V13	12'-7 1/4"
V4	13'-7 1/4"
V16	9'-2"
V18	8'-3"
V19	11'-0 3/4"

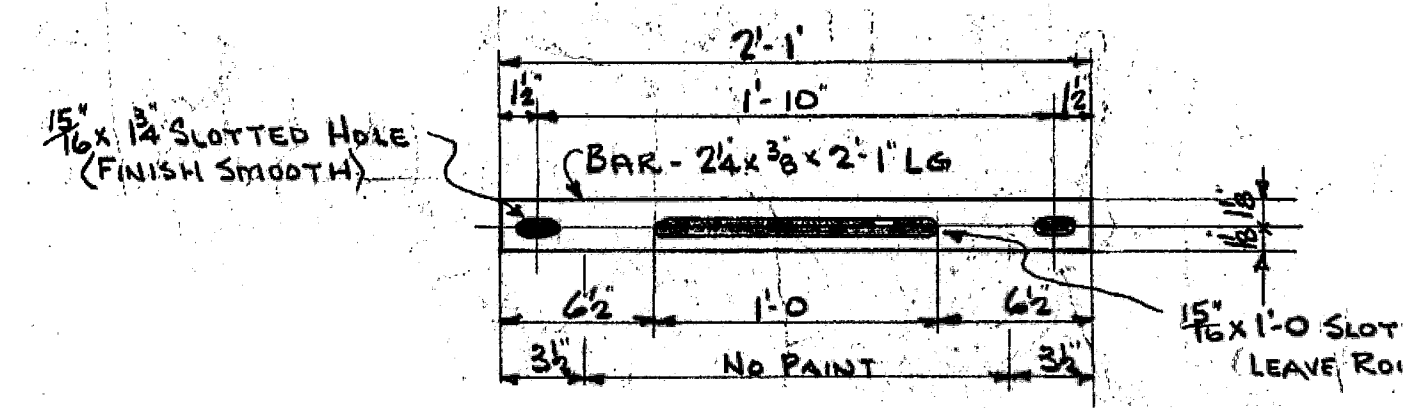
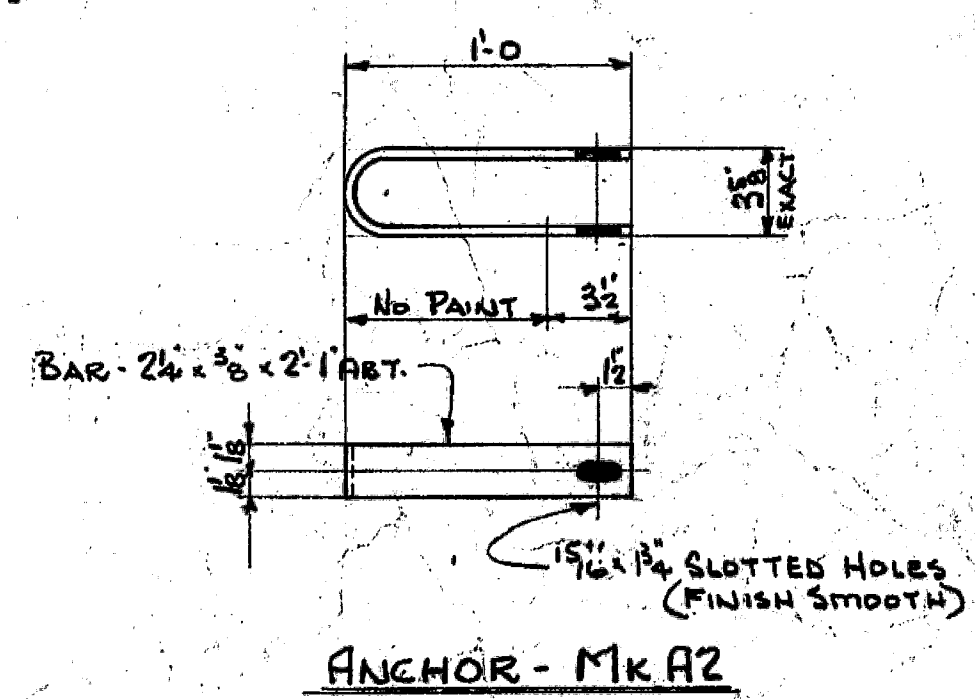
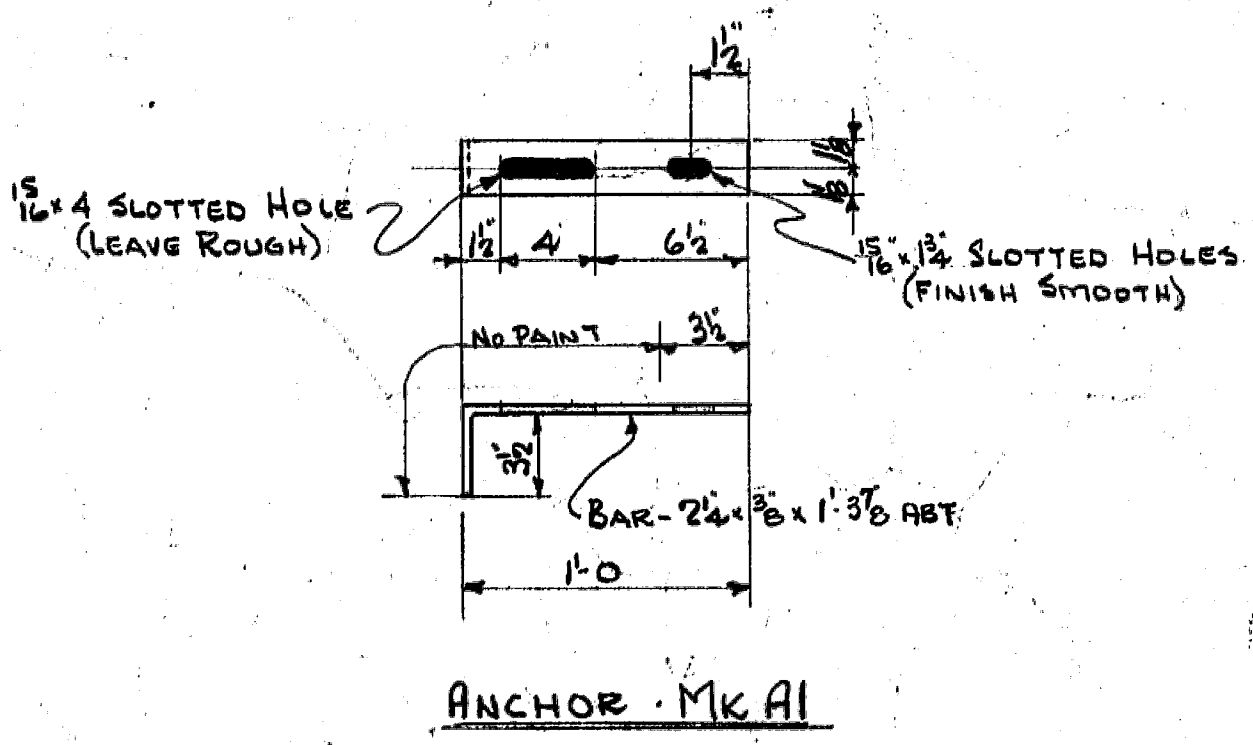
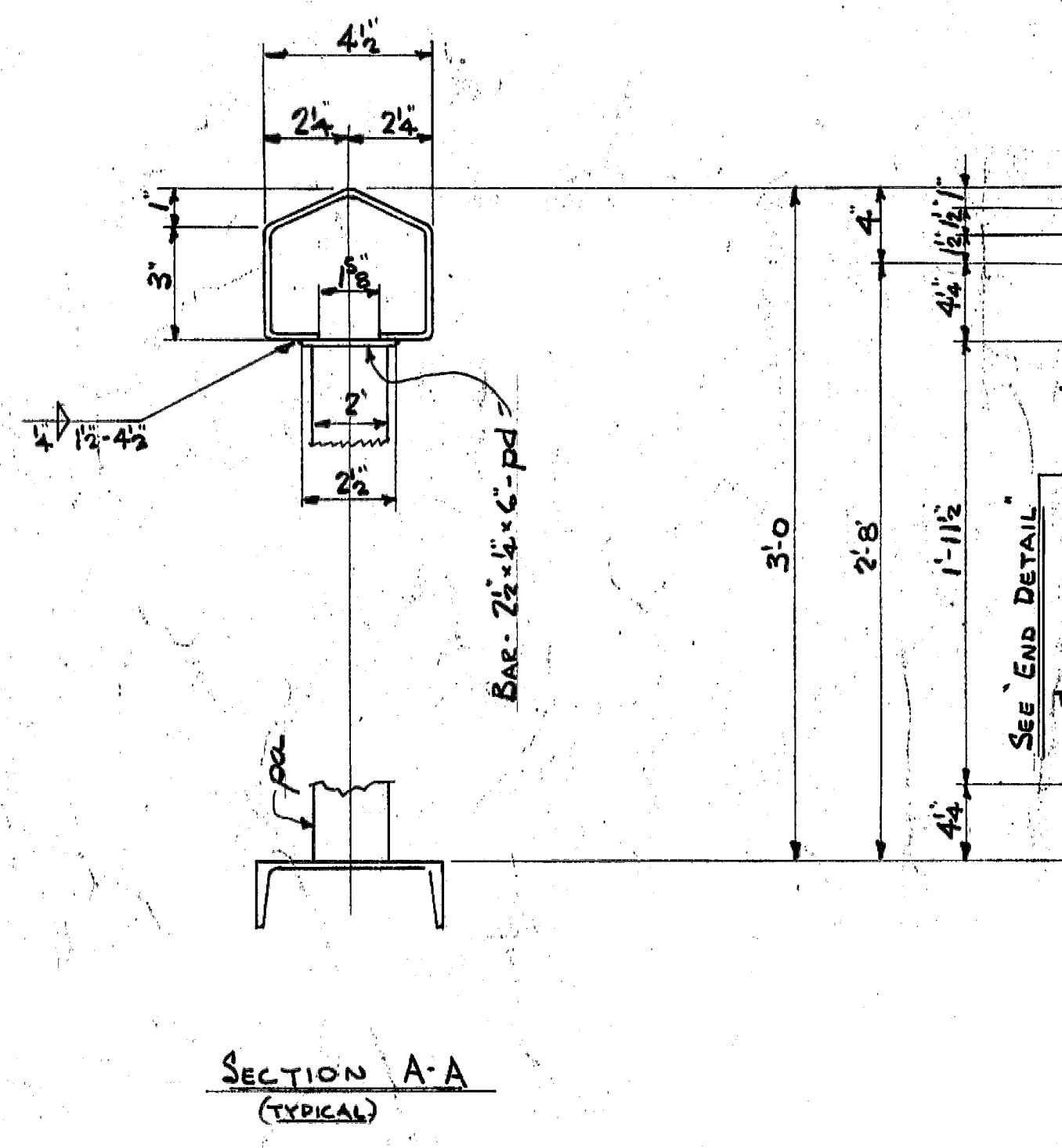
V7	13'-0" c/c HOLES
V9	12'-8" c/c HOLES
V10	13'-3" c/c HOLES
V11	9'-2" o/c HOLES
V12	13'-2" o/c HOLES
V13	12'-4" o/c HOLES
V4	13'-4" c/c
V16	8'-10 3/4" o/c HOLES
V18	7'-11 3/4" o/c HOLES
V19	10'-9 1/2" o/c HOLES



- FOR V7 - BAR 1 3/8 x 1/2 x 1'-13" pc¹⁰
- FOR V9 - BAR 1 3/8 x 1/2 x 1'-12" pc¹⁰
- FOR V10 - BAR 1 3/8 x 1/2 x 1'-10" pc¹⁰
- FOR V11 - BAR 1 3/8 x 1/2 x 1'-10" pc¹⁰
- FOR V12 - BAR 1 3/8 x 1/2 x 1'-10" pc¹⁰
- FOR V13 - BAR 1 3/8 x 1/2 x 1'-10" pc¹⁰
- FOR V4 - BAR 1 3/8 x 1/2 x 1'-10" pc¹⁰
- FOR V16 - BAR 1 3/8 x 1/2 x 1'-10" pc¹⁰
- FOR V18 - BAR 1 3/8 x 1/2 x 1'-10" pc¹⁰
- FOR V19 - BAR 1 3/8 x 1/2 x 1'-10" pc¹⁰



NOTE:
ITEMS mra, b, ab² (WITH LOCKWASHERS)
TO BE BOXED FOR SHIPMENT.
MARK BOX "FOR FENCE PANELS"



ANCHOR - MK A3
ANCHOR - MK A4

PANEL	DIM A'	DIM B'	DIM C'
V7	5'-0"	5'	1'-2 1/4"
V9	5'	4 3/4"	1'-2"
V10	4'-6"	4 3/8"	1'-1"
V11	4'-2"	4'-2"	1'-1 1/8"
V12	4'-2"	4'-2"	1'-3"
V13	4'-2"	4'-4"	1'-2"
V4	4'-5 1/2"	4'-5"	1'-1"
V16	4'-2"	4'	1'-1 1/2"
V18	4'-5 1/2"	4'	1'-2 3/4"
V19	5'-3/8"	4'-2"	1'-1 1/8"

CONTRACT	LOCATION	V7	V9	V10	V11	V12	V13	V4	V16	V18	V19	A1	A2	A3	A4	
S3189	COLQUITZ BR	36										4	4	68	34	
S3190	RYAN OVERHEAD			22								4	4	40	20	
S3181	SAVONA OVERHEAD		22									4	4	40	20	
S3247	MILLSTONE R.				8	26						12	12	56	28	
S3259	ALDRIDGE BR						48					8	8	88	44	
S3337	THETIS LAKE							46				4	4	92	44	
S3356	YALE CREEK								11	11		4	4	40	20	
T1949	ROYAL AVE UNDER											14	12	12	16	8

REF: D.R.W. - DRG Misc Bridges 587-7A

DOMINION BRIDGE COMPANY LIMITED - Vancouver, B. C.

SPECIFICATION CONNECTIONS WELDED.

CHECKED *[Signature]* PURCHASER Do

APPROVED *[Signature]* DESCRIPTION STANDARD ROADWAY FENCE

REVISIONS

SCALE: DETAIL

CONTRACT No. STD

DRAWING No. 599