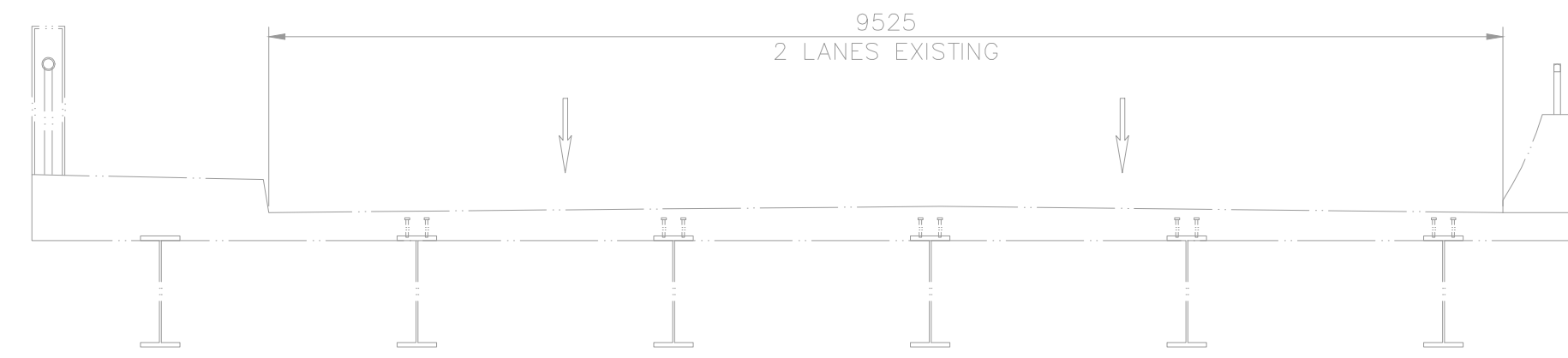
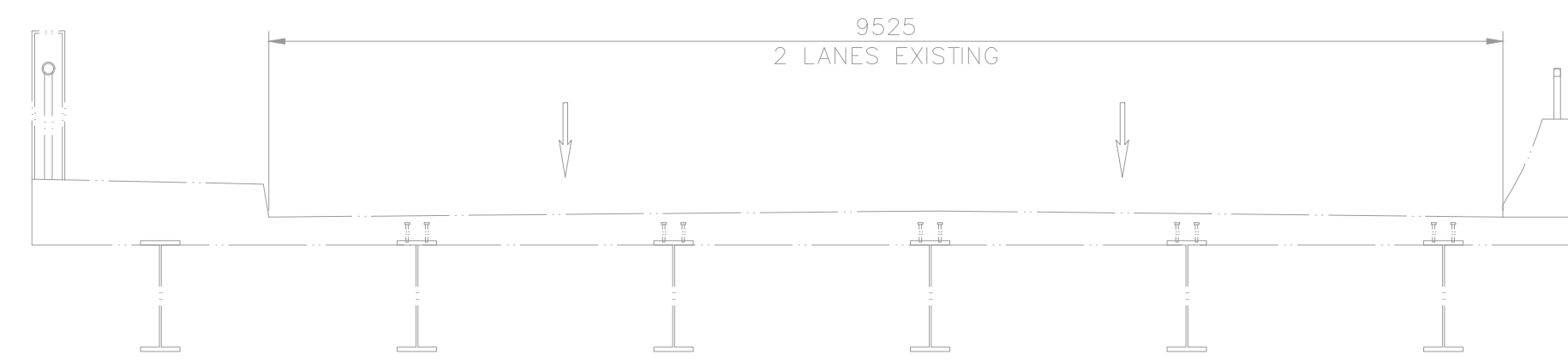
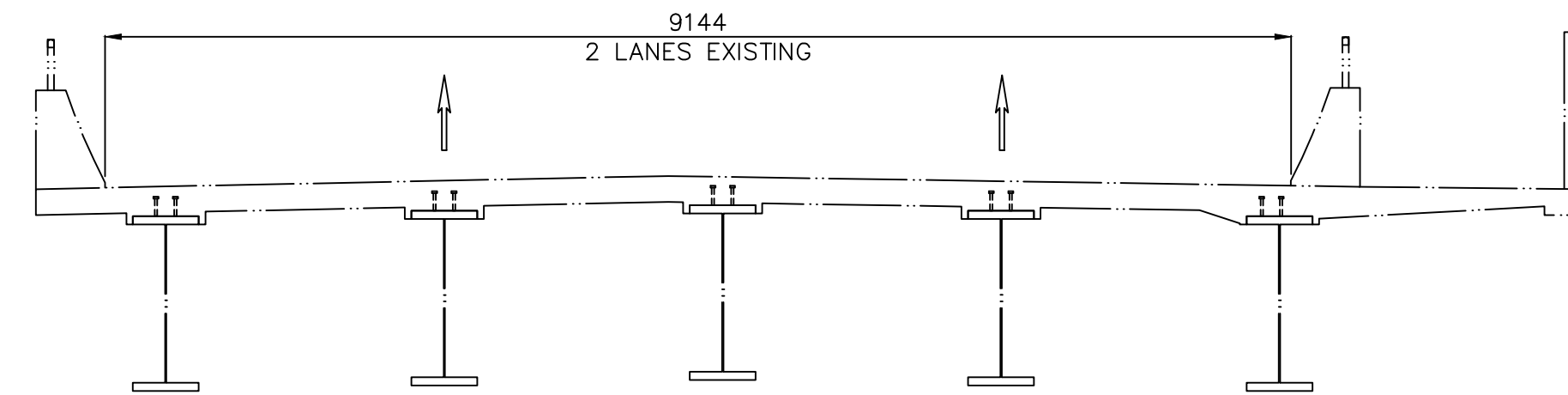


COLQUITZ RIVER BRIDGE NO. 01378 – LOOKING EAST

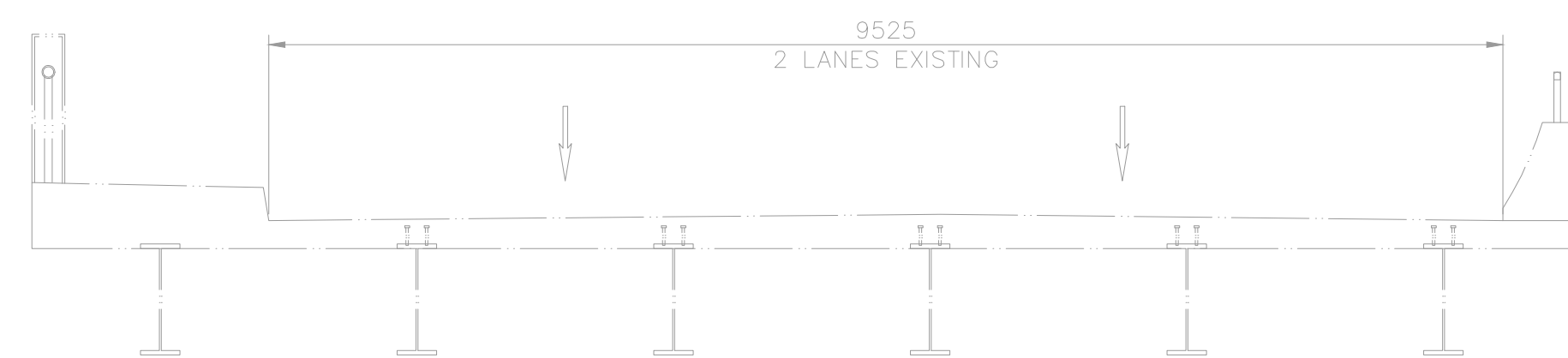
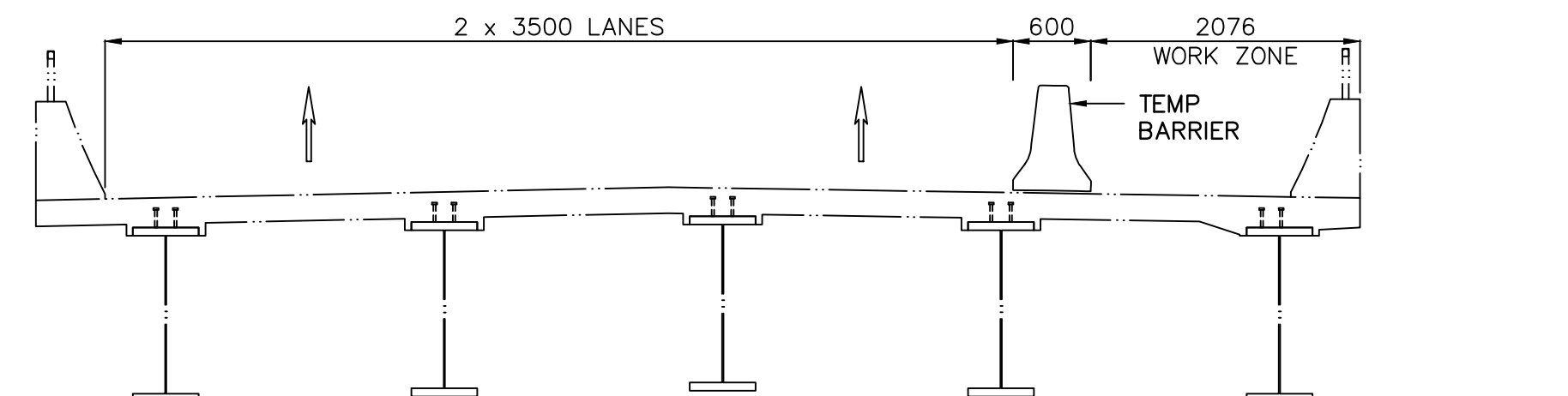
COLQUITZ RIVER BRIDGE NO. 02655 – LOOKING EAST



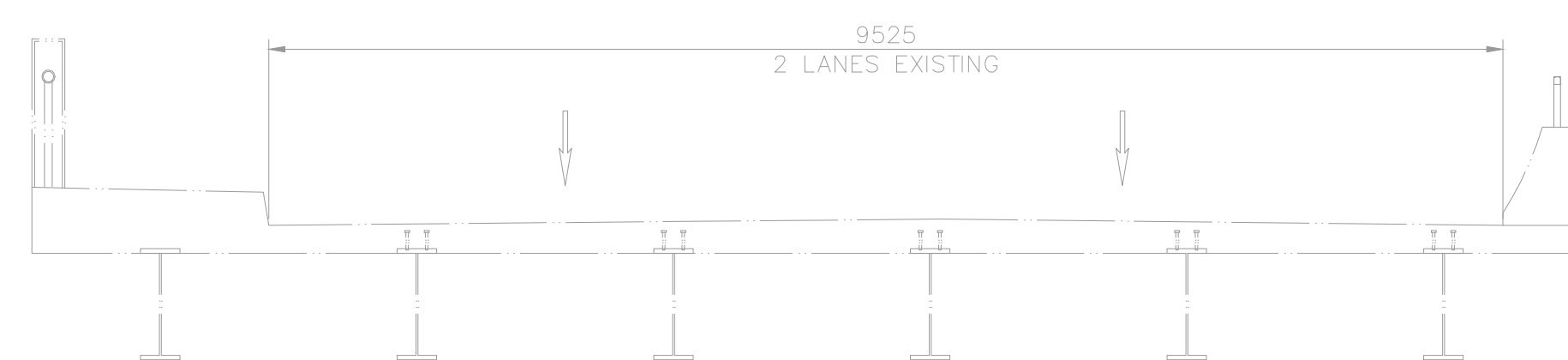
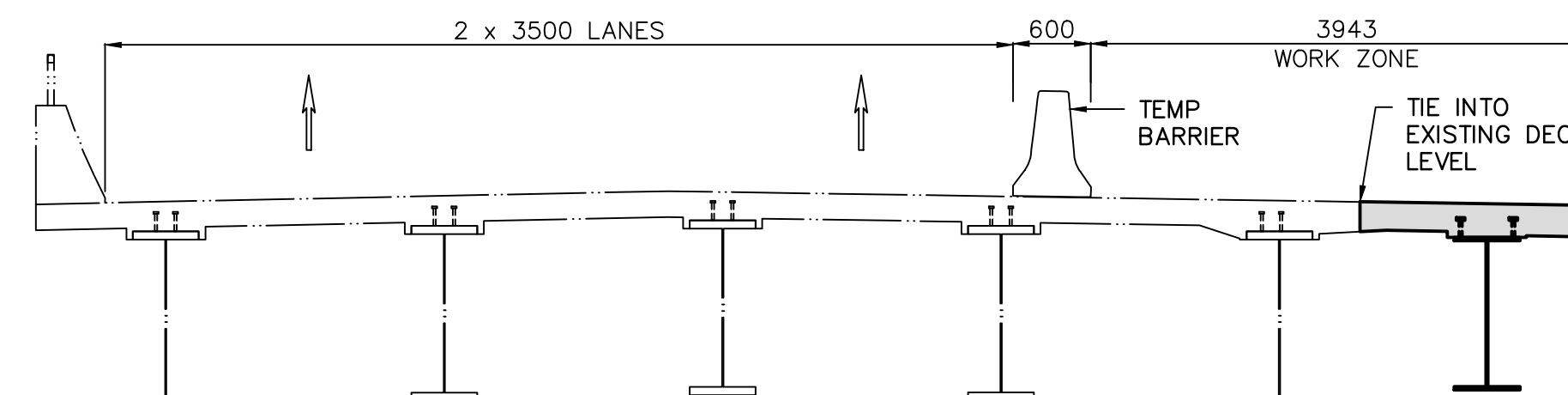
STAGE 0



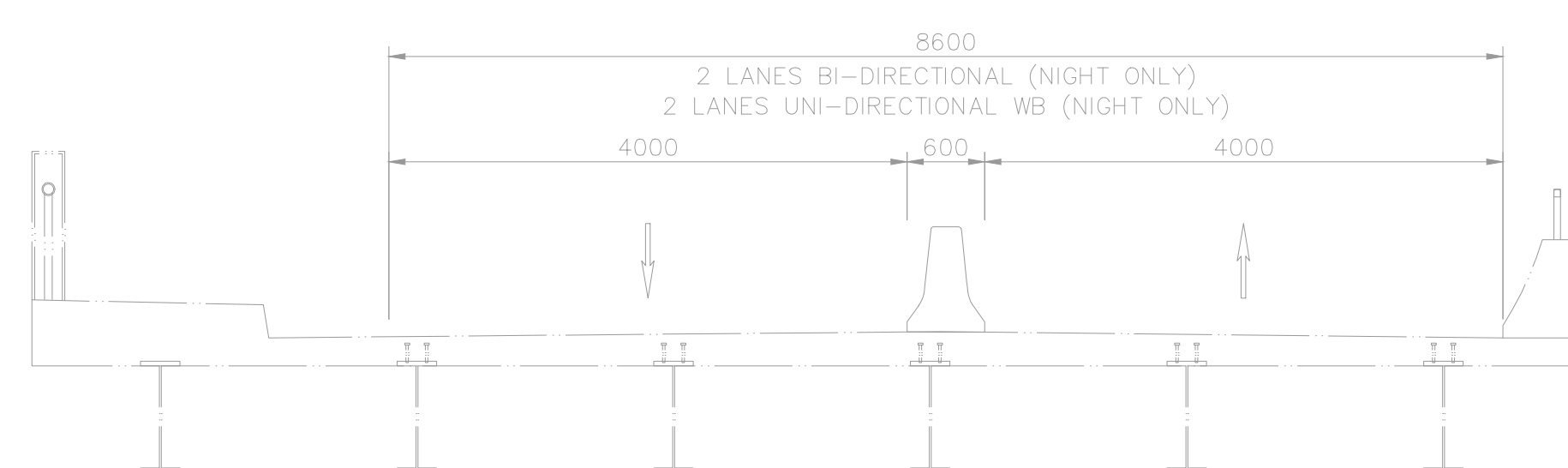
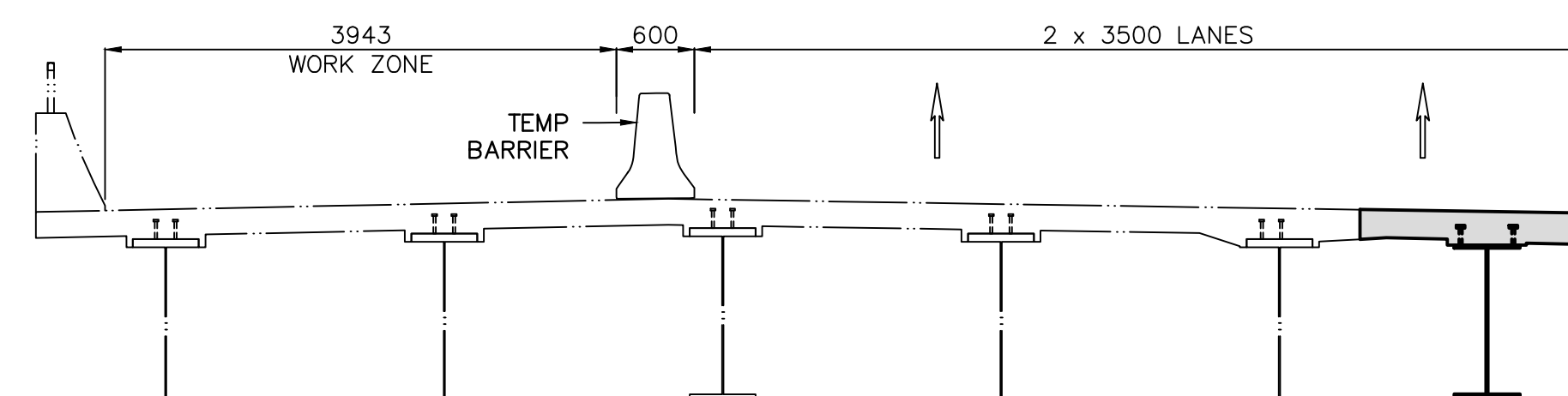
STAGE 1



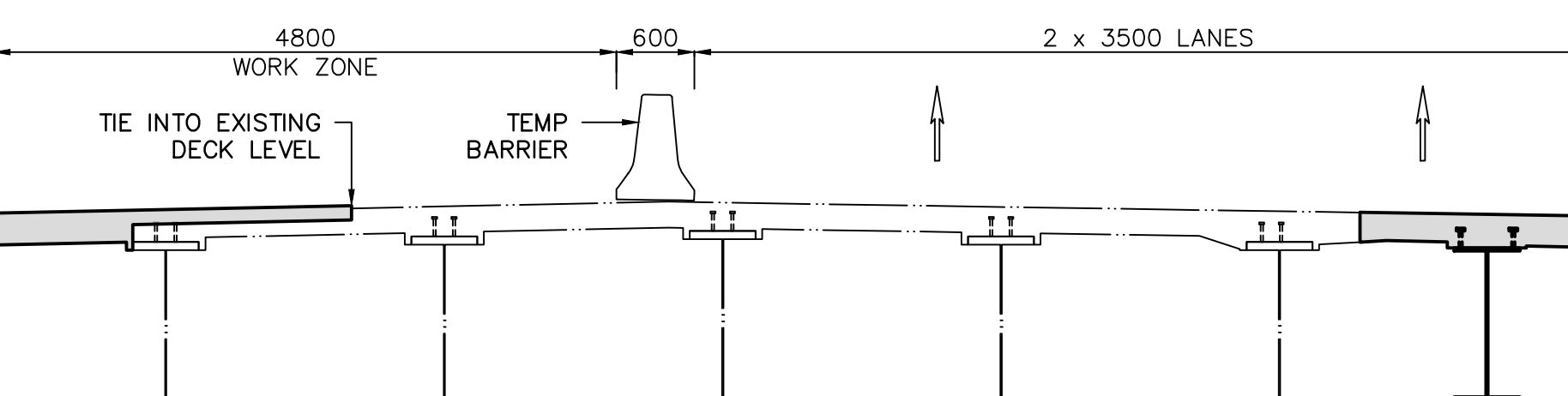
STAGE 2



STAGE 3



STAGE 4



PROPOSED CONSTRUCTION STAGING

CONSTRUCTION STAGING IS THE RESPONSIBILITY OF THE CONTRACTOR. THE SUGGESTED CONSTRUCTION STAGING IS SHOWN FOR REFERENCE ONLY.

STAGE 0:

EXISTING TRAFFIC ARRANGEMENT CONSISTS OF 2 LANES OF TRAFFIC WESTBOUND ON 01378 AND 2 LANES OF TRAFFIC EASTBOUND ON 02655.

STAGE 1:

DEMOLISH 02655 WALKWAY TO FACILITATE CONSTRUCTION OF NEW GIRDER, PIER AND SOUTHERN DECK EXTENSION. EXISTING BARRIER TO REMAIN. NO CHANGE TO 01378.

STAGE 2:

REMOVE 02655 EXISTING SOUTHERN BARRIER TO CONSTRUCT SOUTHERN DECK EXTENSION TO TIE INTO EXISTING DECK LEVEL. NO CHANGE TO 01378.

STAGE 3:

SWITCH TRAFFIC TO SOUTHERN DECK AND REMOVE NORTHERN BARRIER TO FACILITATE CONSTRUCTION OF NORTHERN DECK EXTENSION. NO CHANGE TO 01378.

STAGE 4:

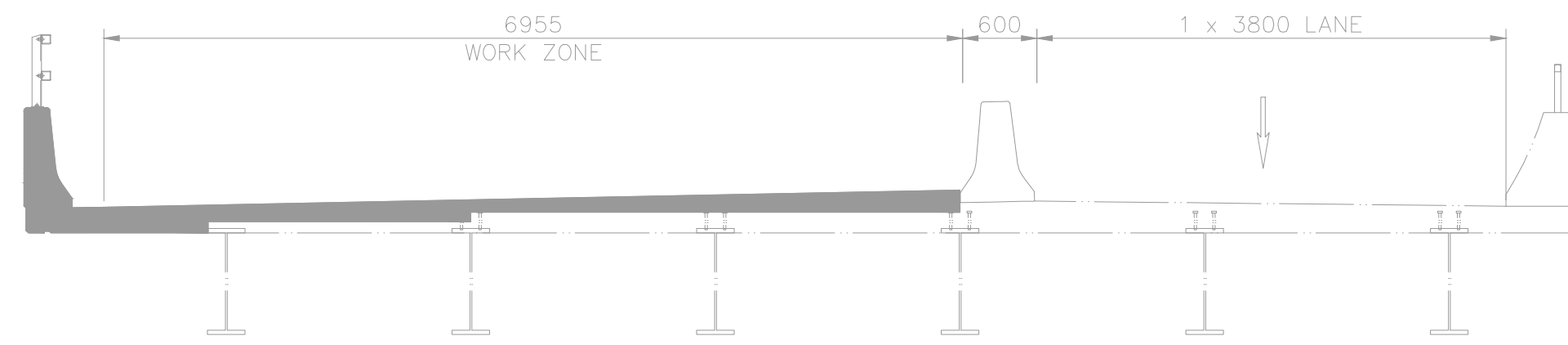
CONSTRUCT 02655 NORTHERN DECK EXTENSION TO TIE INTO EXISTING LEVEL.

TRAFFIC CAN BE SWITCHED FULLY TO 01378 AT NIGHT IF REQUIRED.

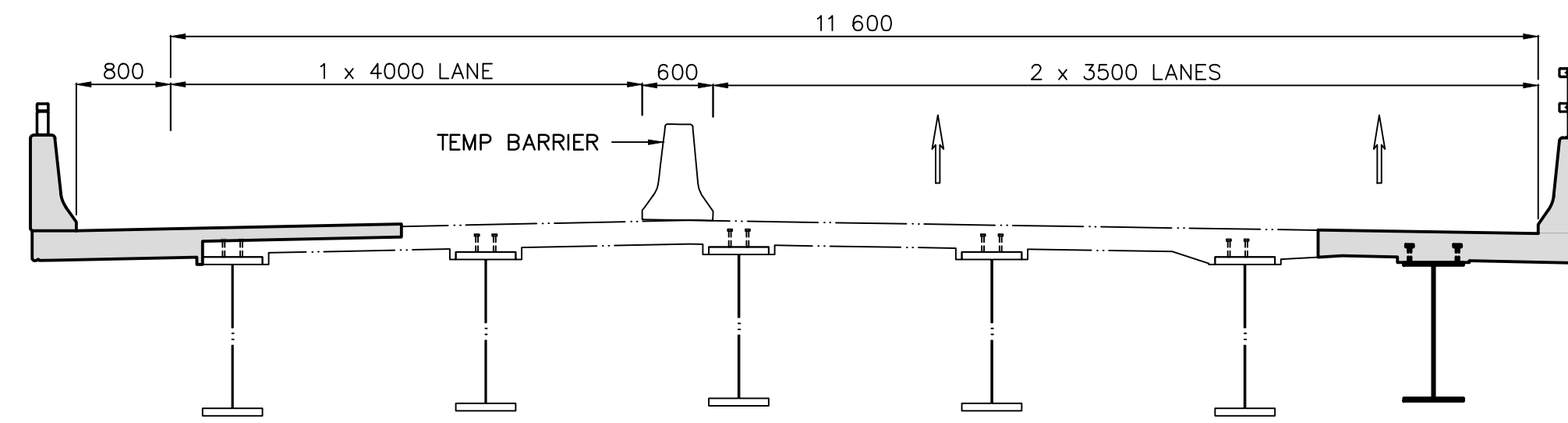
Consultant Logo				ENGINEERS AND GEOSCIENTISTS BRITISH COLUMBIA PERMIT TO PRACTICE NUMBER : 1001591
Rev	Date	Description	Init	
REVISIONS				
		Ministry of Transportation & Infrastructure South Coast Region		
VANCOUVER ISLAND DISTRICT TRANS-CANADA HIGHWAY No. 1 COLQUITZ RIVER BRIDGE No. 02655 – BRIDGE WIDENING, RETROFIT, AND RENEWAL PROPOSED CONSTRUCTION STAGING – SHEET 1 OF 2				
PREPARED UNDER THE DIRECTION OF ARMAN SHAHNAZ ENGINEER OF RECORD		DESIGNED AS DATE 2023/01/06 CHECKED CUL DATE 2023/01/06 DRAWN JF DATE 2023/01/06 SCALE AS NOTED NEGATIVE No.		SEAL
FILE No.	PROJECT No.	REG.	DRAWING No.	
	17065		02655-1018	

COLQUITZ RIVER BRIDGE NO. 01378 – LOOKING EAST

COLQUITZ RIVER BRIDGE NO. 02655 – LOOKING EAST

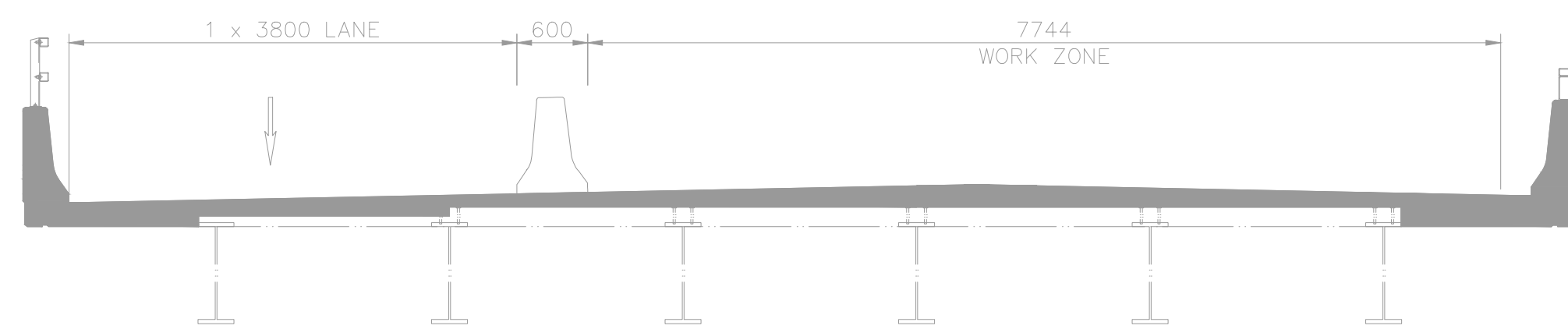


STAGE 5

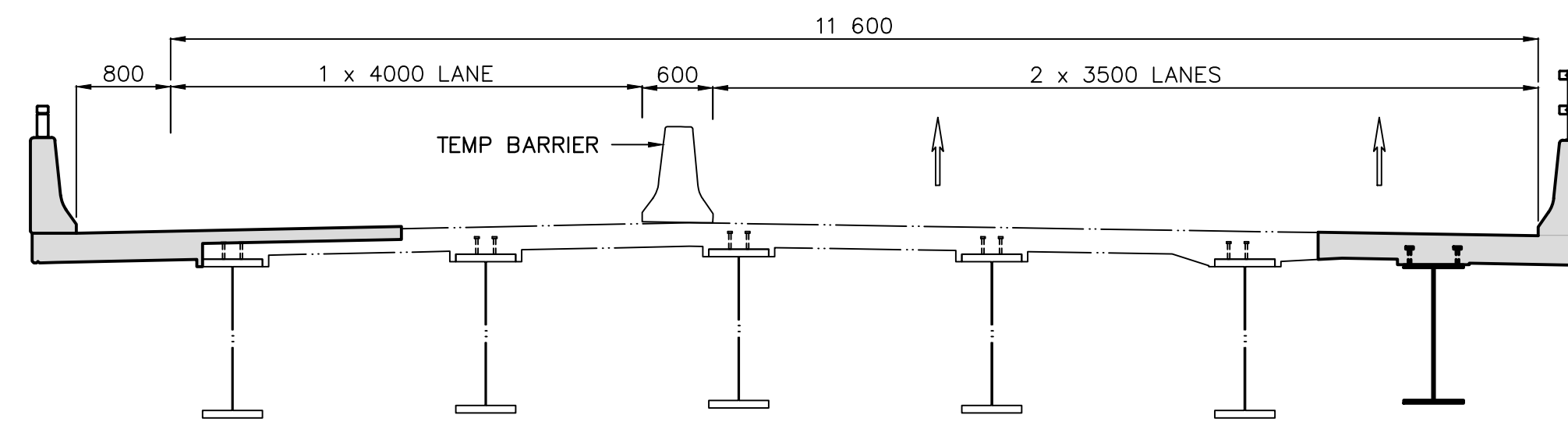


STAGE 5:

PROVIDE 3 LANES OF TRAFFIC TO 02655 (2 EASTBOUND, 1 WESTBOUND). TRAFFIC CAN BE FULLY SWITCHED TO 02655 AT NIGHT IF REQUIRED.
 PROVIDE 1 LANE OF TRAFFIC (WESTBOUND) ON 01378 TO FACILITATE CONSTRUCTION OF NORTHERN DECK EXTENSION AND DECK OVERLAY. TO BE FINISHED WITH DECK MACHINE TO FINAL LEVELS.

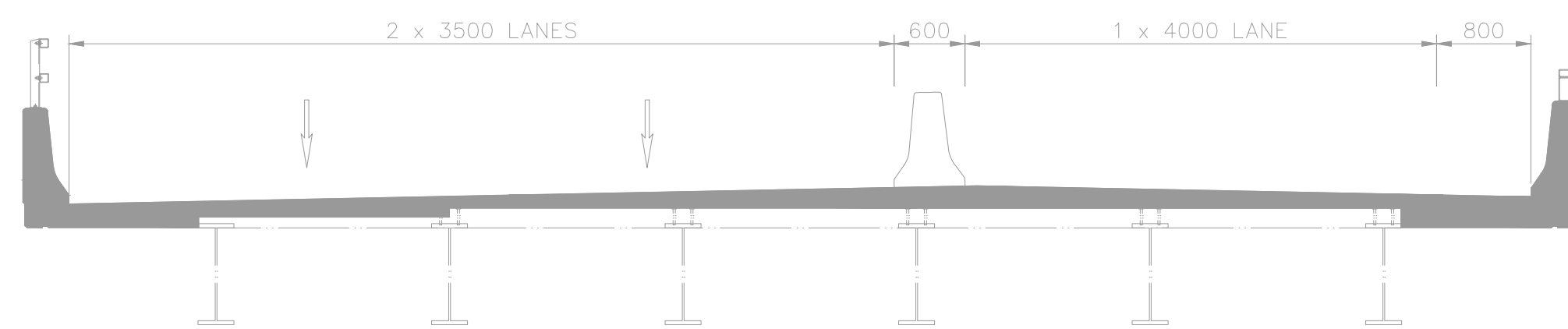


STAGE 6

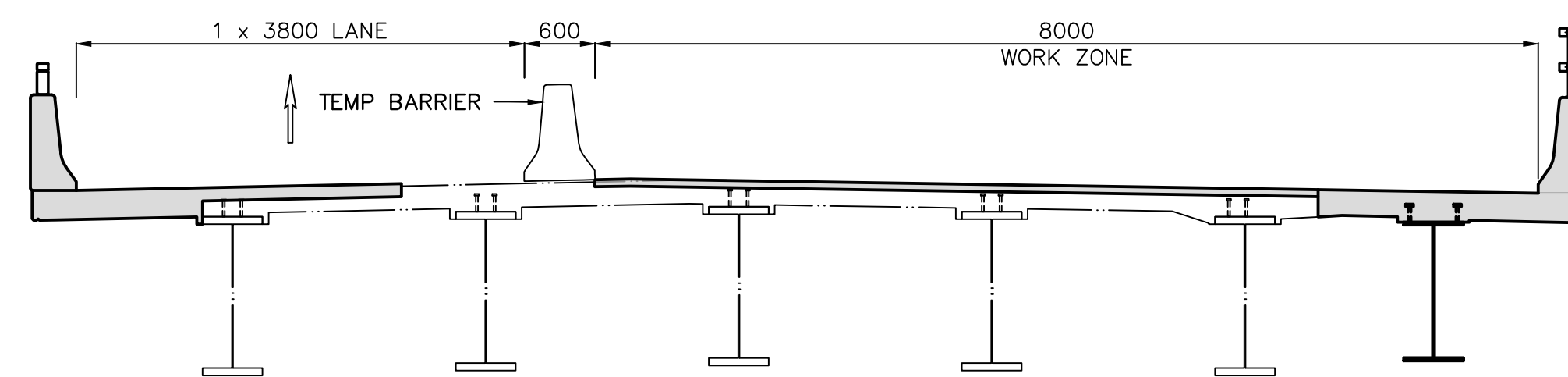


STAGE 6:

NO CHANGE TO 02655.
 PROVIDE 1 LANE OF TRAFFIC (WESTBOUND) ON 01378 TO FACILITATE CONSTRUCTION OF SOUTHERN DECK EXTENSION AND DECK OVERLAY. TO BE FINISHED WITH DECK MACHINE TO FINAL LEVELS.

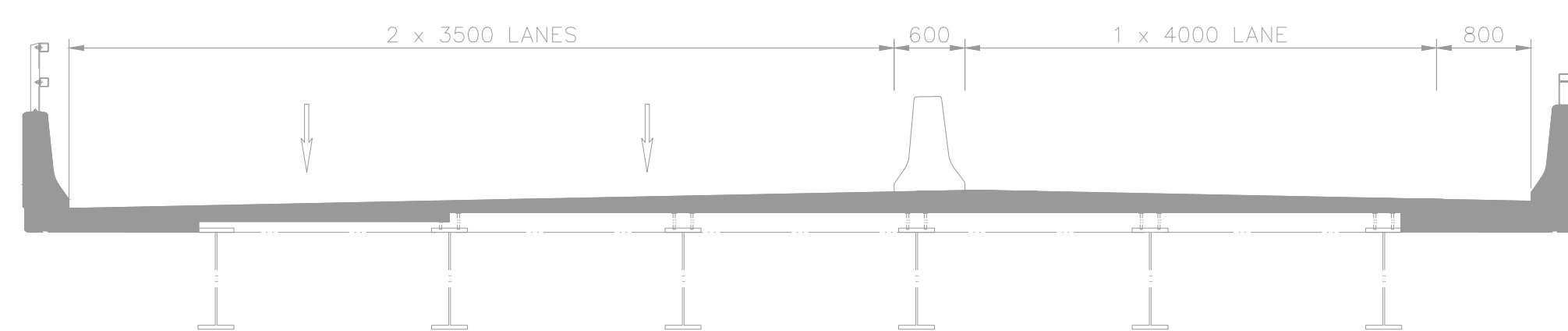


STAGE 7

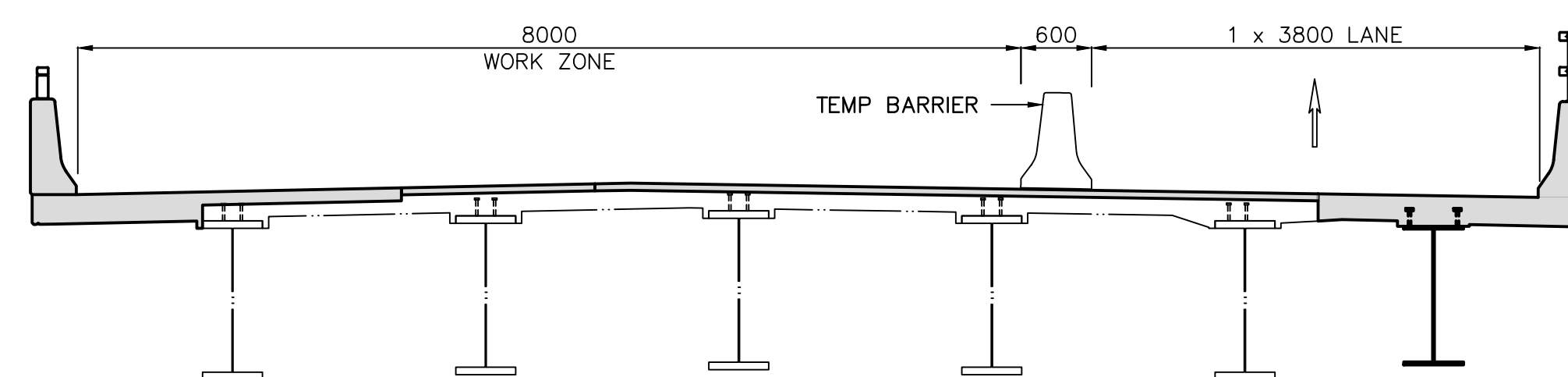


STAGE 7:

PROVIDE 1 LANE OF TRAFFIC (EASTBOUND) ON 02655 TO FACILITATE MILL AND FILL OF THE OVERLAY. FINISHED WITH DECK MACHINE TO FINAL LEVELS.
 PROVIDE 3 LANES OF TRAFFIC TO 01378 (2 WESTBOUND, 1 EASTBOUND). TRAFFIC CAN BE FULLY SWITCHED TO 01378 AT NIGHT IF REQUIRED.

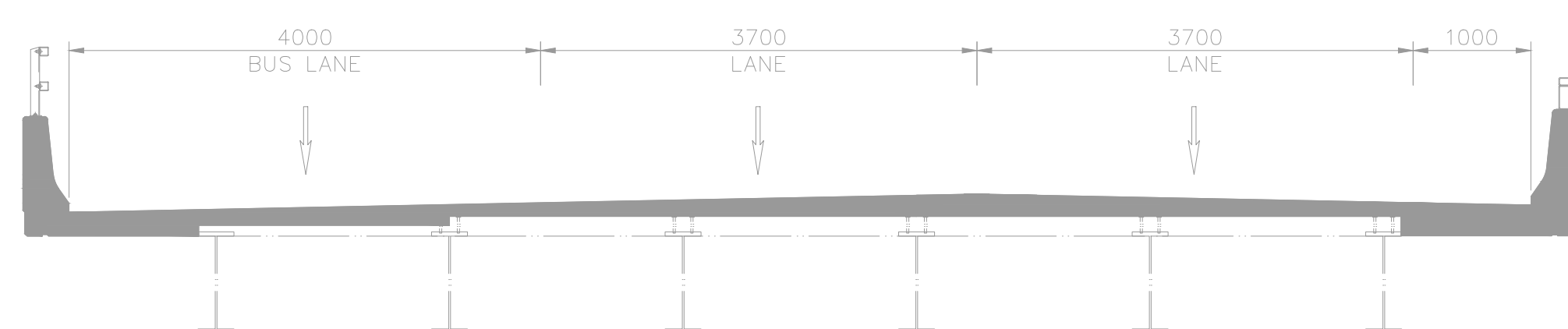


STAGE 8

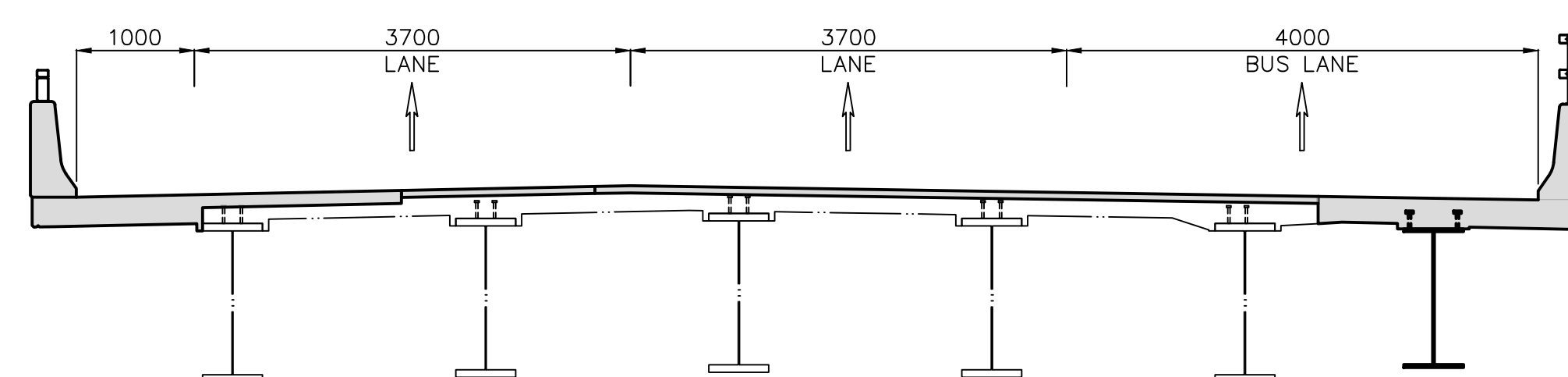


STAGE 8:

PROVIDE 1 LANE OF TRAFFIC (EASTBOUND) ON 02655 TO FACILITATE MILL AND FILL OF THE OVERLAY. FINISH WITH DECK MACHINE TO FINAL LEVELS.
 PROVIDE 3 LANES OF TRAFFIC TO 01378 (2 WESTBOUND, 1 EASTBOUND). TRAFFIC CAN BE FULLY SWITCHED TO 02655 AT NIGHT IF REQUIRED.



STAGE 9

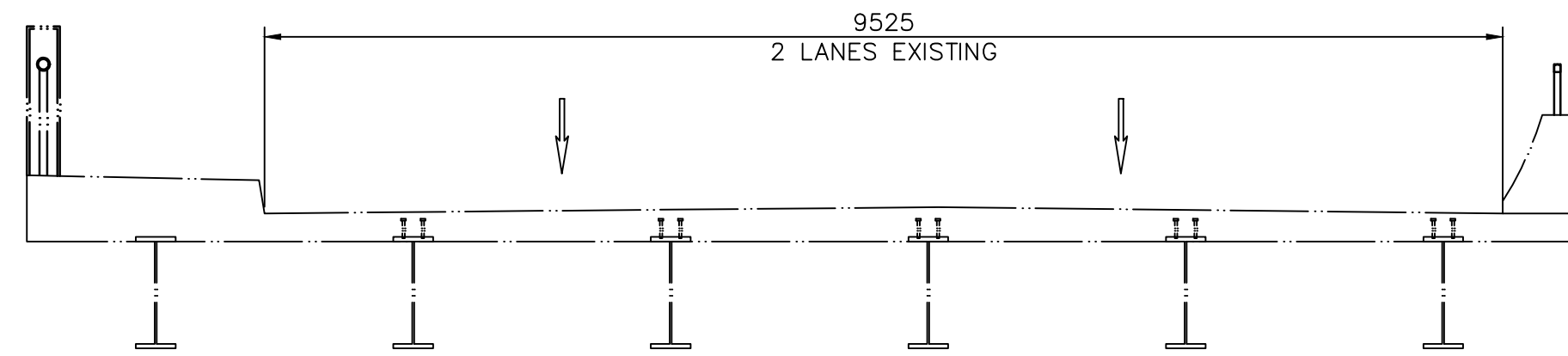


STAGE 9:

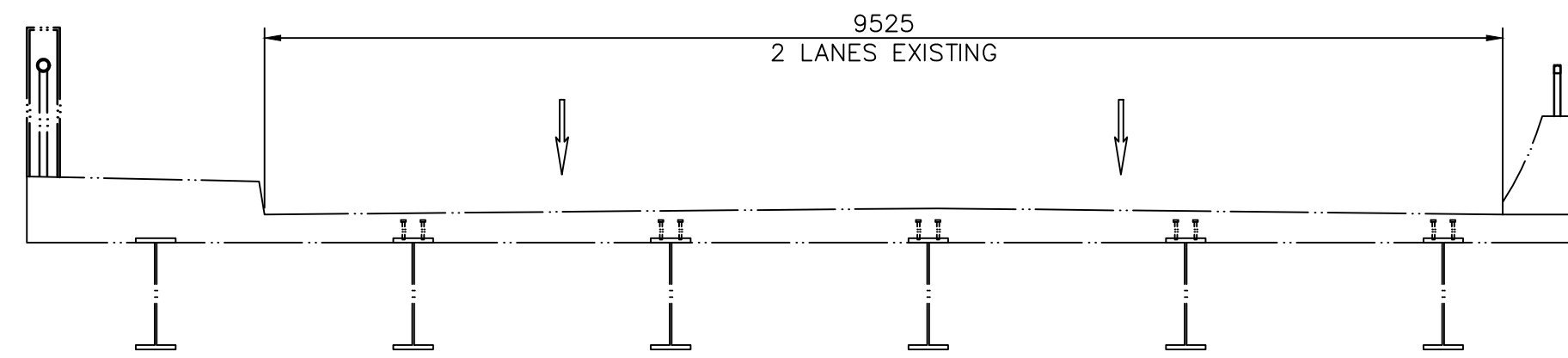
FINAL LANE ARRANGEMENT.

Consultant Logo				ENGINEERS AND GEOSCIENTISTS BRITISH COLUMBIA PERMIT TO PRACTICE NUMBER : 1001591
Rev	Date	Description	Init	
REVISIONS				
		Ministry of Transportation & Infrastructure South Coast Region		
VANCOUVER ISLAND DISTRICT TRANS-CANADA HIGHWAY No. 1 COLQUITZ RIVER BRIDGE No. 02655 – BRIDGE WIDENING, RETROFIT, AND RENEWAL PROPOSED CONSTRUCTION STAGING – SHEET 2 OF 2				
PREPARED UNDER THE DIRECTION OF ARMAN SHAHNAZ ENGINEER OF RECORD		DESIGNED AS DATE 2023/01/06 CHECKED CUL DATE 2023/01/06 DRAWN JF DATE 2023/01/06		SCALE AS NOTED NEGATIVE No.
DATE	FILE No.	PROJECT No.	REG.	DRAWING No.
		17065		02655-1019

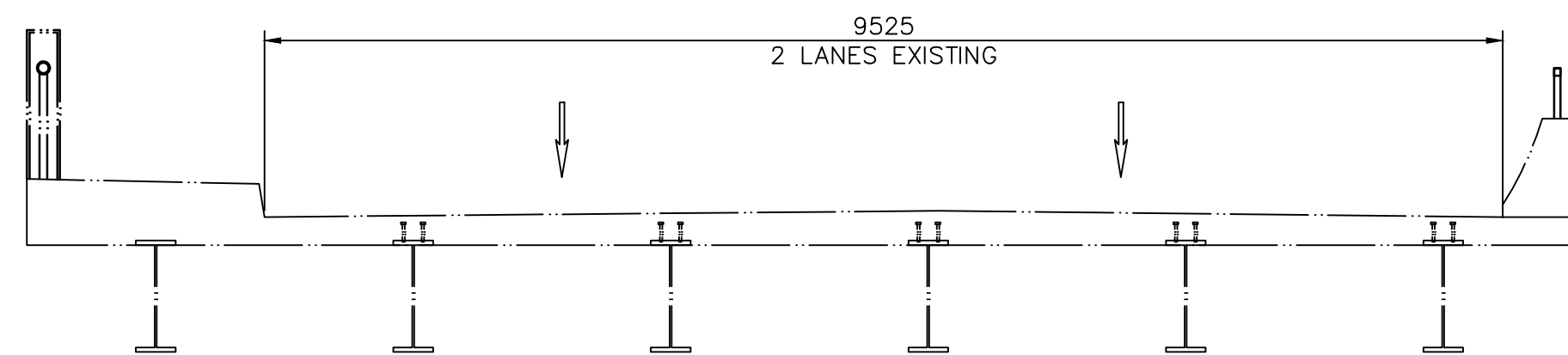
COLQUITZ RIVER BRIDGE NO. 01378 – LOOKING EAST



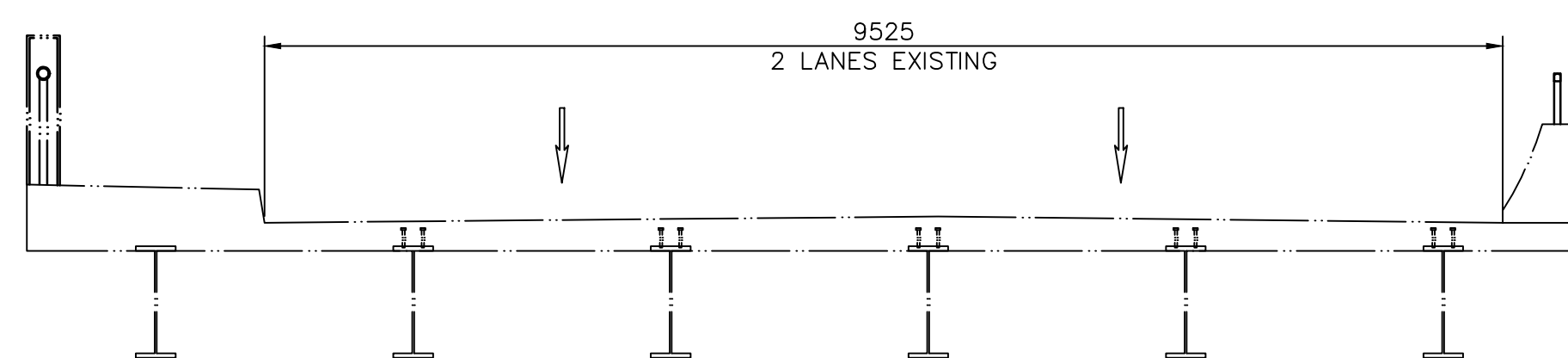
STAGE 0



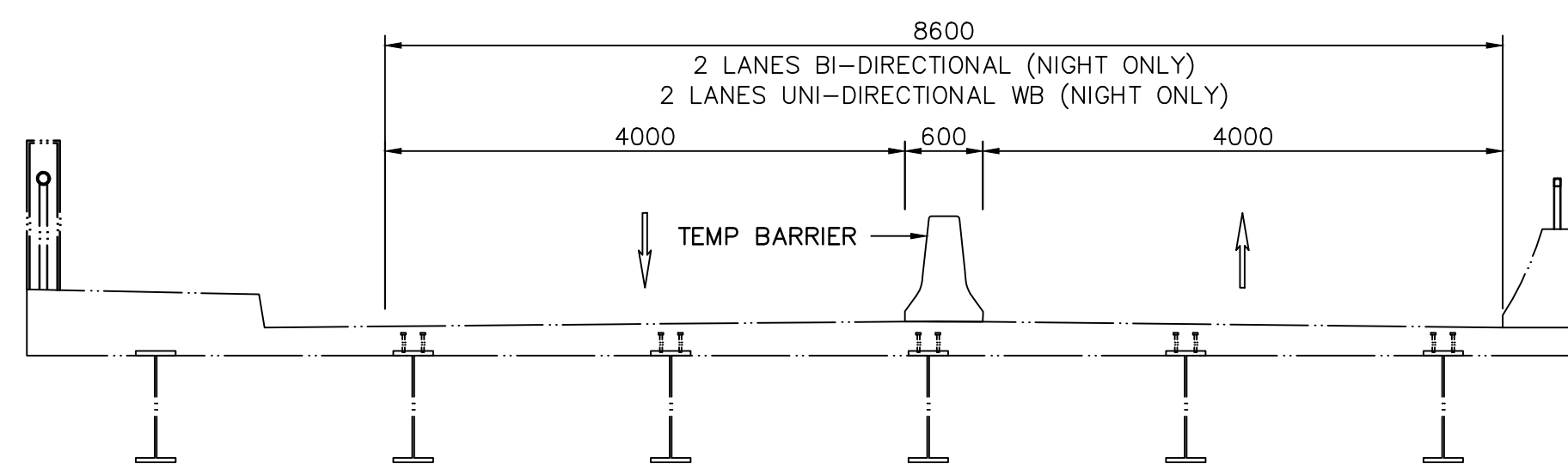
STAGE 1



STAGE 2

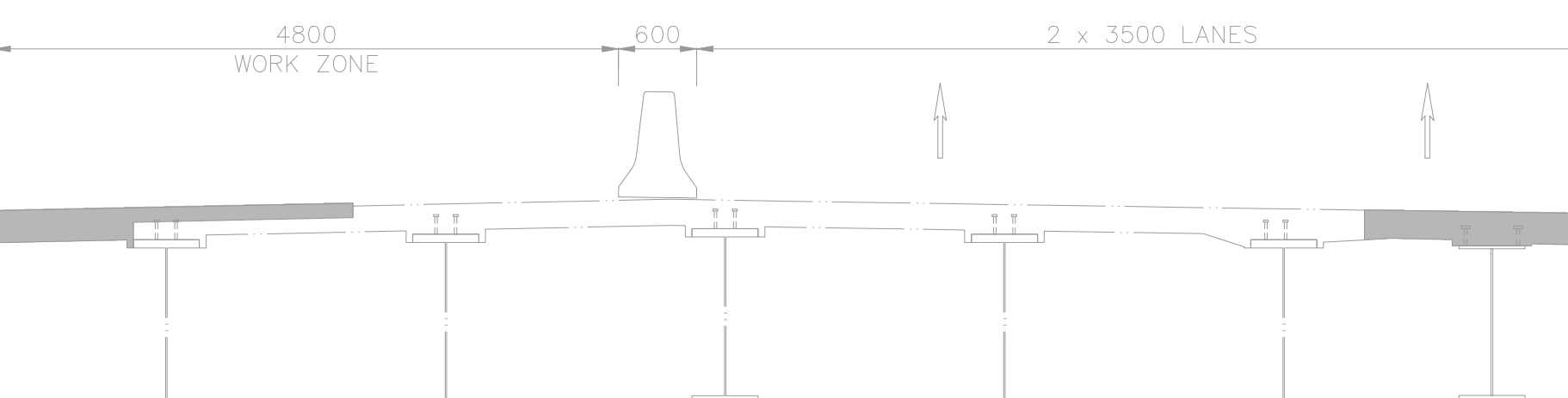
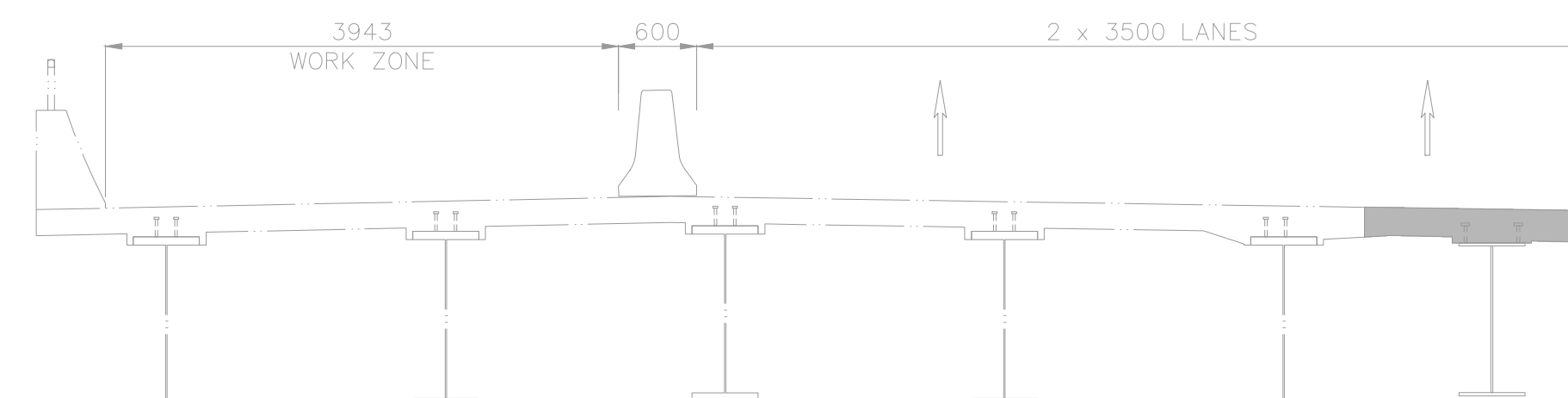
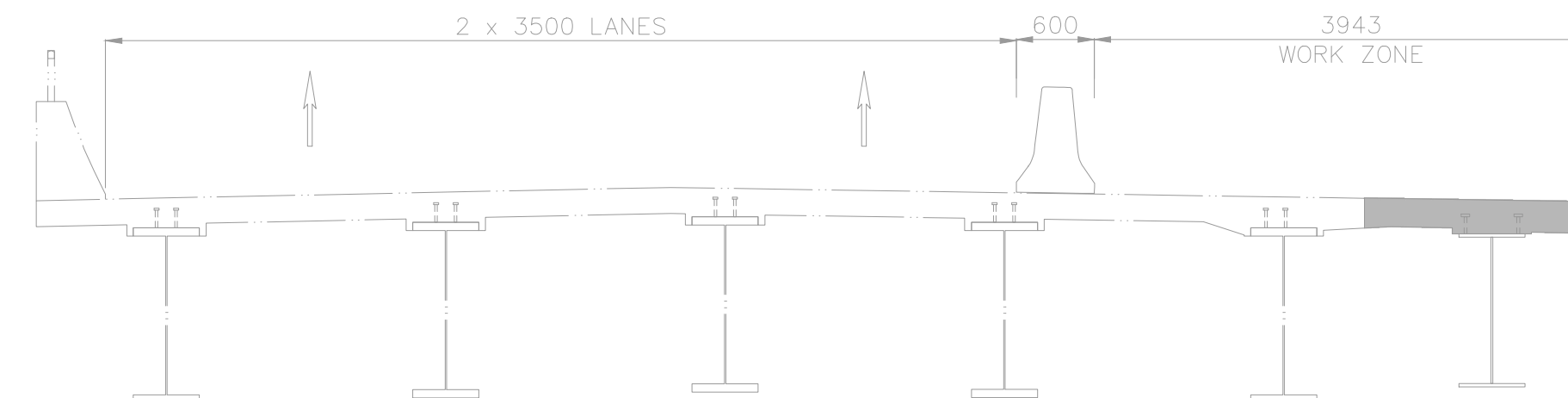
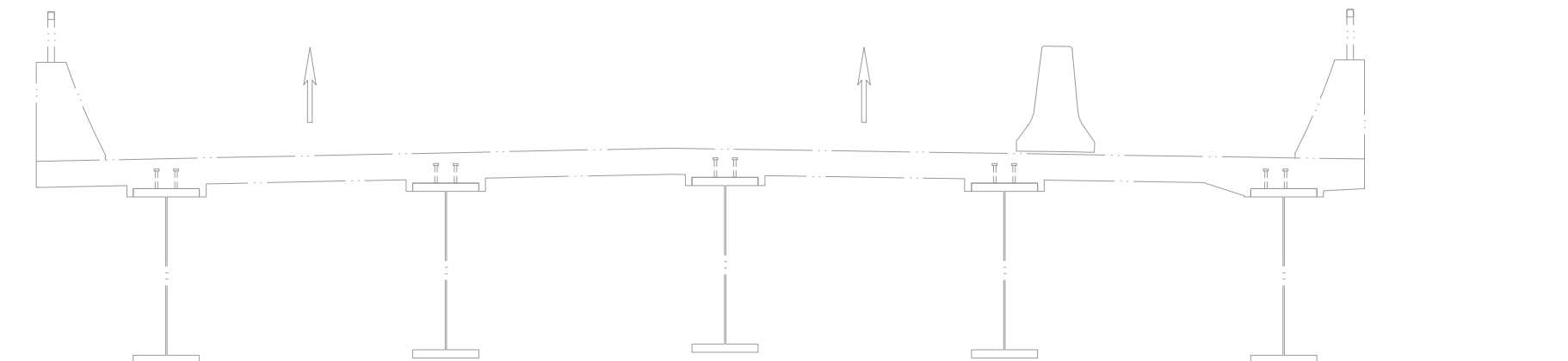
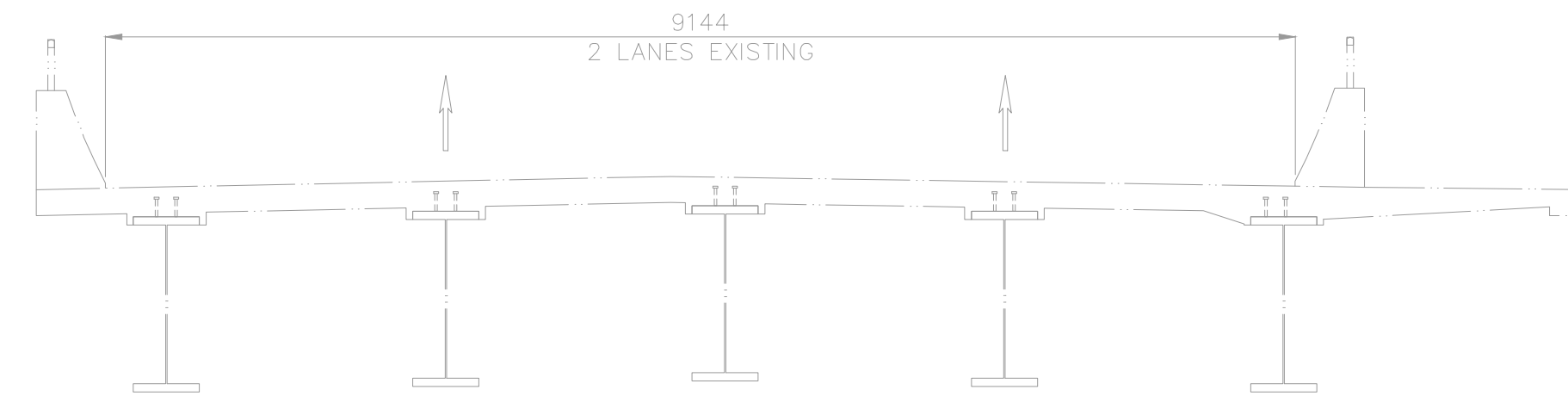


STAGE 3



STAGE 4

COLQUITZ RIVER BRIDGE NO. 02655 – LOOKING EAST



PROPOSED CONSTRUCTION STAGING

CONSTRUCTION STAGING IS THE RESPONSIBILITY OF THE CONTRACTOR. THE SUGGESTED CONSTRUCTION STAGING IS SHOWN FOR REFERENCE ONLY.

STAGE 0:

EXISTING TRAFFIC ARRANGEMENT CONSISTS OF 2 LANES OF TRAFFIC WESTBOUND ON 01378 AND 2 LANES OF TRAFFIC EASTBOUND ON 02655.

STAGE 1:

DEMOLISH 02655 WALKWAY TO FACILITATE CONSTRUCTION OF NEW GIRDER, PIER AND SOUTHERN DECK EXTENSION. EXISTING BARRIER TO REMAIN. NO CHANGE TO 01378.

STAGE 2:

REMOVE 02655 EXISTING SOUTHERN BARRIER TO CONSTRUCT SOUTHERN DECK EXTENSION TO TIE INTO EXISTING DECK LEVEL. NO CHANGE TO 01378.

STAGE 3:

SWITCH TRAFFIC TO SOUTHERN DECK AND REMOVE NORTHERN BARRIER TO FACILITATE CONSTRUCTION OF NORTHERN DECK EXTENSION. NO CHANGE TO 01378.

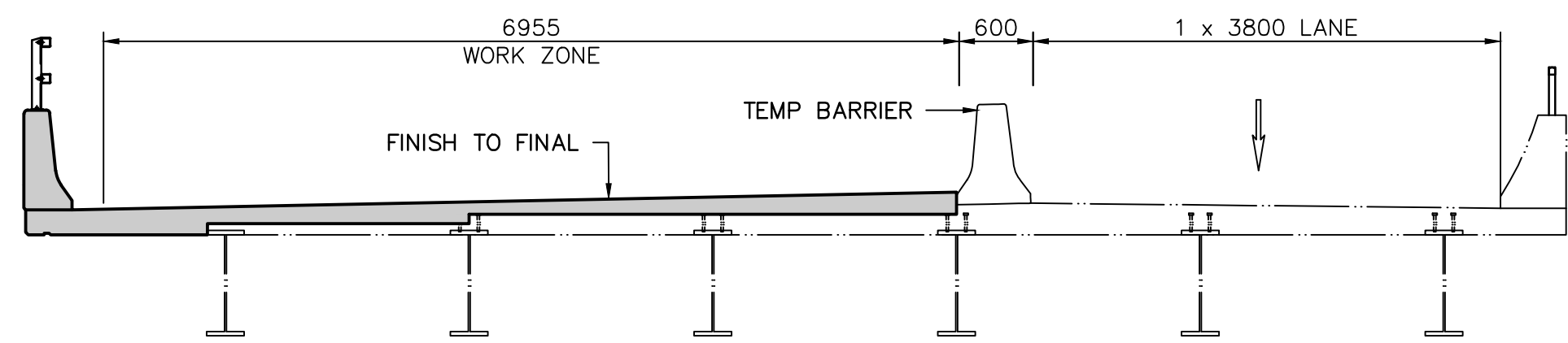
STAGE 4:

CONSTRUCT 02655 NORTHERN DECK EXTENSION TO TIE INTO EXISTING LEVEL. TRAFFIC CAN BE SWITCHED FULLY TO 01378 AT NIGHT IF REQUIRED.

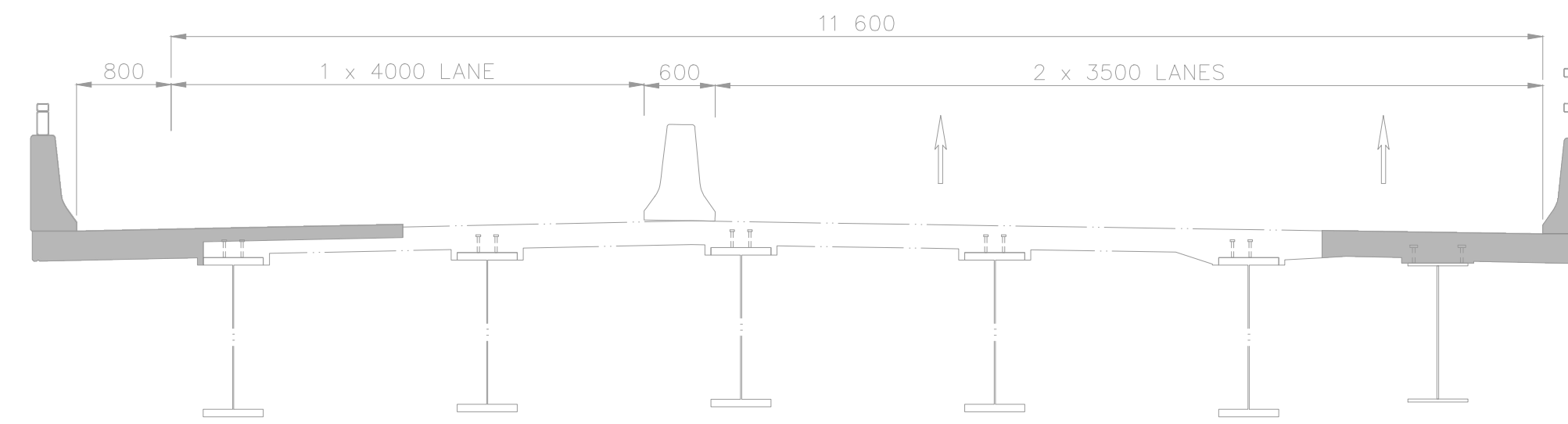
Consultant Logo		 MOTT MACDONALD		ENGINEERS AND GEOSCIENTISTS BRITISH COLUMBIA PERMIT TO PRACTICE NUMBER : 1001591
Rev	Date	Description	Init	
REVISIONS				
 BRITISH COLUMBIA		Ministry of Transportation & Infrastructure South Coast Region		
VANCOUVER ISLAND DISTRICT TRANS-CANADA HIGHWAY No. 1 COLQUITZ RIVER BRIDGE No. 01378 – BRIDGE WIDENING, RETROFIT, AND RENEWAL PROPOSED CONSTRUCTION STAGING – SHEET 1 OF 2				
PREPARED UNDER THE DIRECTION OF BEHRAD ZIBANIA ENGINEER OF RECORD		DESIGNED <u>BZ</u> DATE 2023/01/06 CHECKED <u>CJL</u> DATE 2023/01/06 DRAWN <u>AB</u> DATE 2023/01/06		SCALE AS NOTED NEGATIVE No.
DATE	FILE No.	PROJECT No.	REG.	DRAWING No.
		17065		01378-1015

COLQUITZ RIVER BRIDGE NO. 01378 – LOOKING EAST

COLQUITZ RIVER BRIDGE NO. 02655 – LOOKING EAST

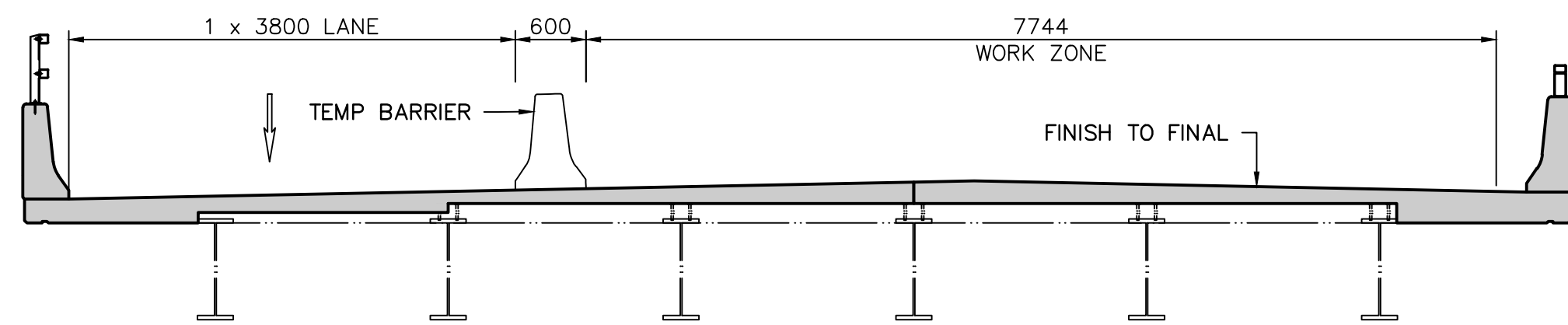


STAGE 5

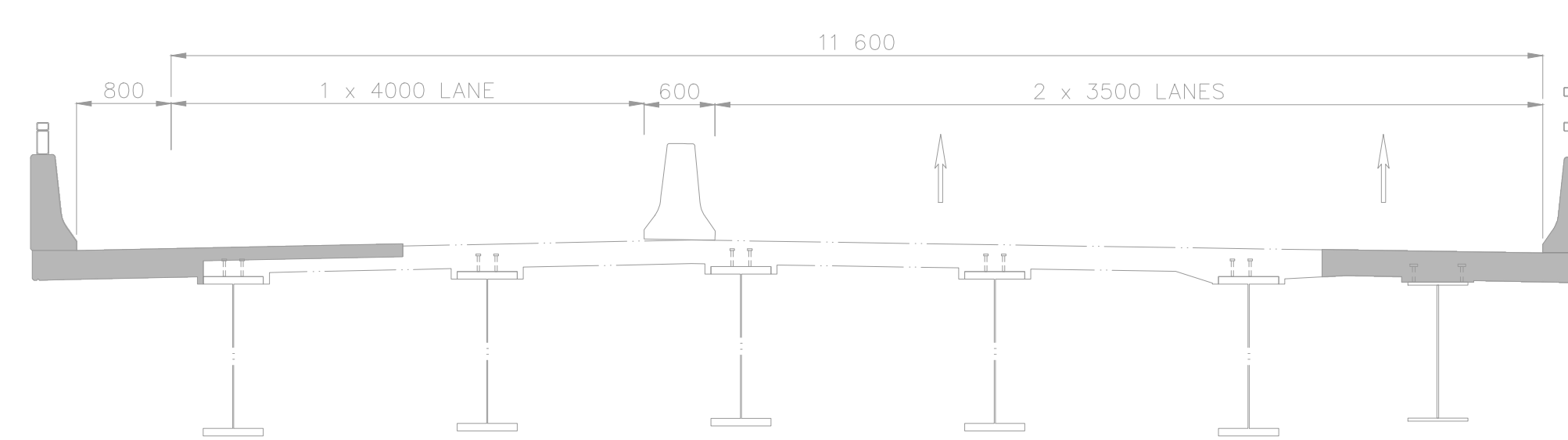


STAGE 5:

PROVIDE 3 LANES OF TRAFFIC TO 02655 (2 EASTBOUND, 1 WESTBOUND). TRAFFIC CAN BE FULLY SWITCHED TO 02655 AT NIGHT IF REQUIRED.
 PROVIDE 1 LANE OF TRAFFIC (WESTBOUND) ON 01378 TO FACILITATE CONSTRUCTION OF NORTHERN DECK EXTENSION AND DECK OVERLAY. TO BE FINISHED WITH DECK MACHINE TO FINAL LEVELS.

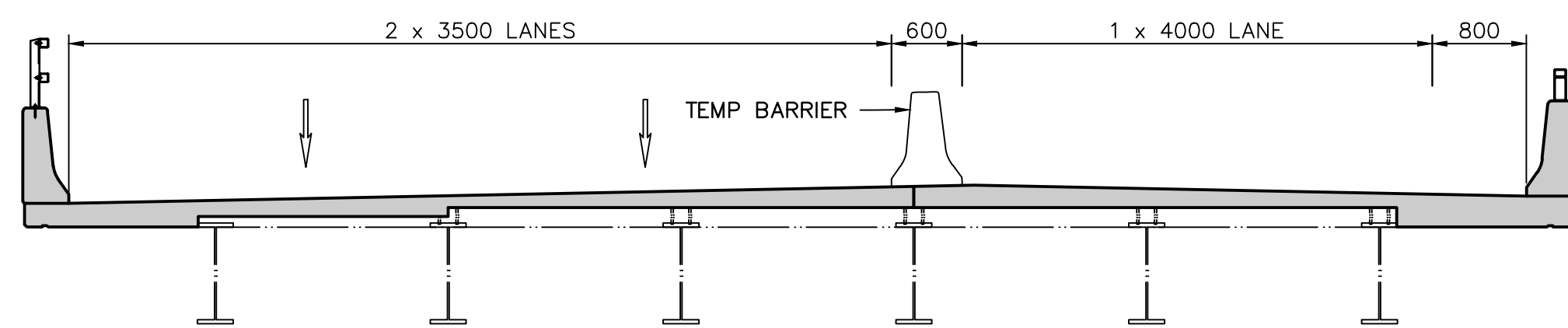


STAGE 6

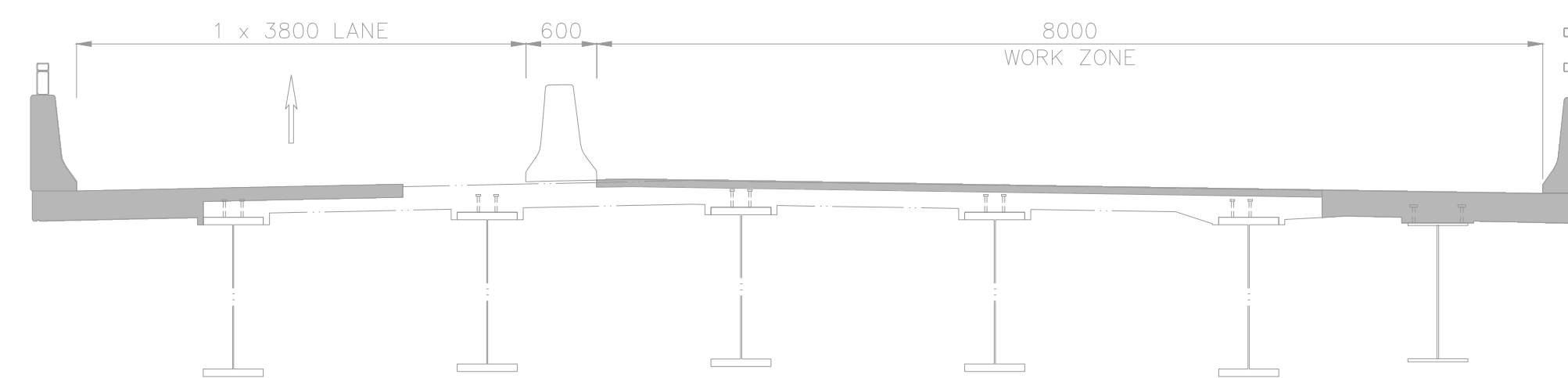


STAGE 6:

NO CHANGE TO 02655.
 PROVIDE 1 LANE OF TRAFFIC (WESTBOUND) ON 01378 TO FACILITATE CONSTRUCTION OF SOUTHERN DECK EXTENSION AND DECK OVERLAY. TO BE FINISHED WITH DECK MACHINE TO FINAL LEVELS.

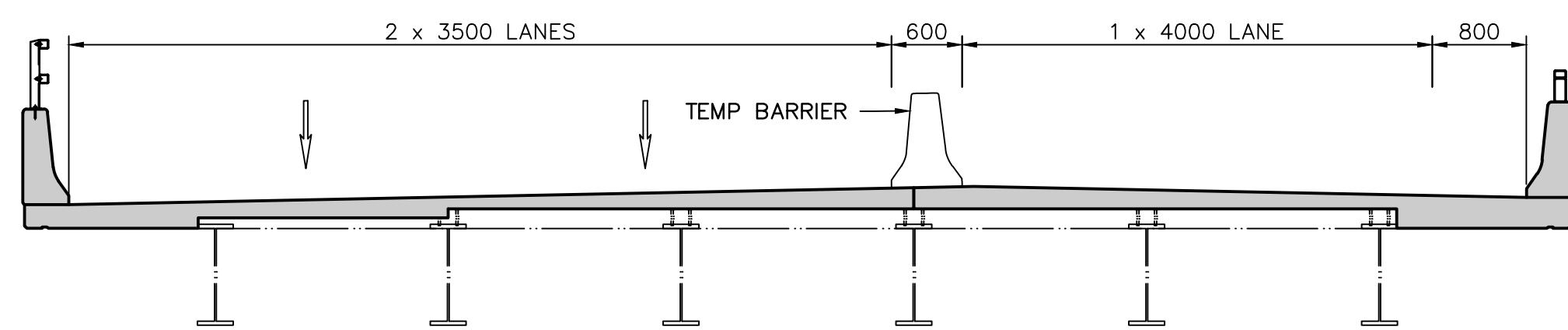


STAGE 7

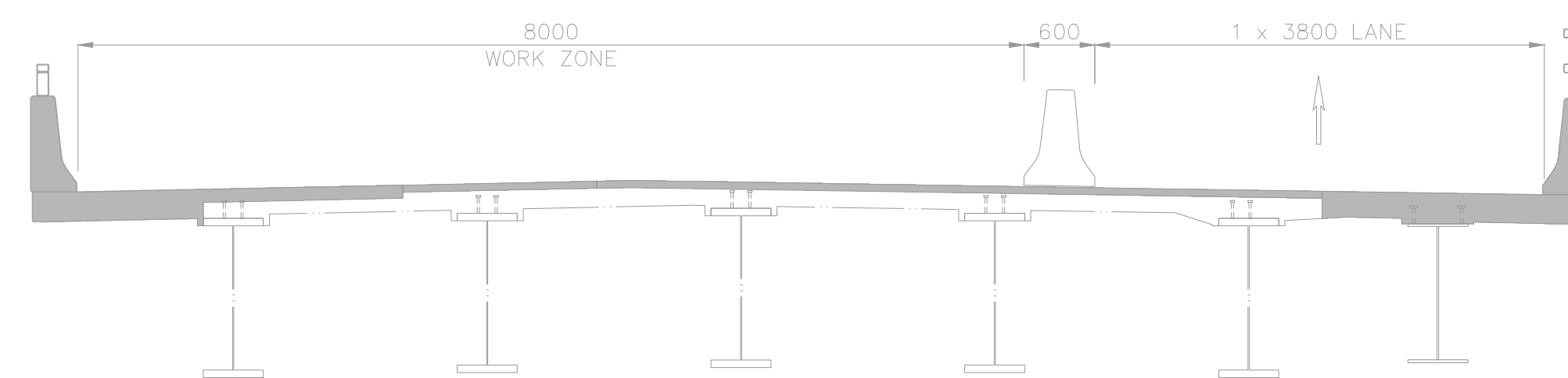


STAGE 7:

PROVIDE 1 LANE OF TRAFFIC (EASTBOUND) ON 02655 TO FACILITATE MILL AND FILL OF THE OVERLAY. FINISHED WITH DECK MACHINE TO FINAL LEVELS.
 PROVIDE 3 LANES OF TRAFFIC TO 01378 (2 WESTBOUND, 1 EASTBOUND). TRAFFIC CAN BE FULLY SWITCHED TO 01378 AT NIGHT IF REQUIRED.

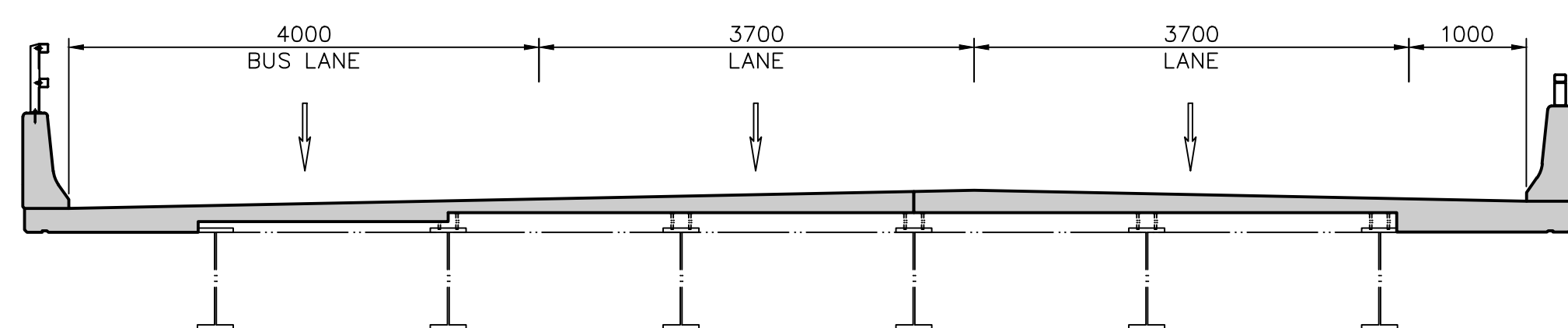


STAGE 8

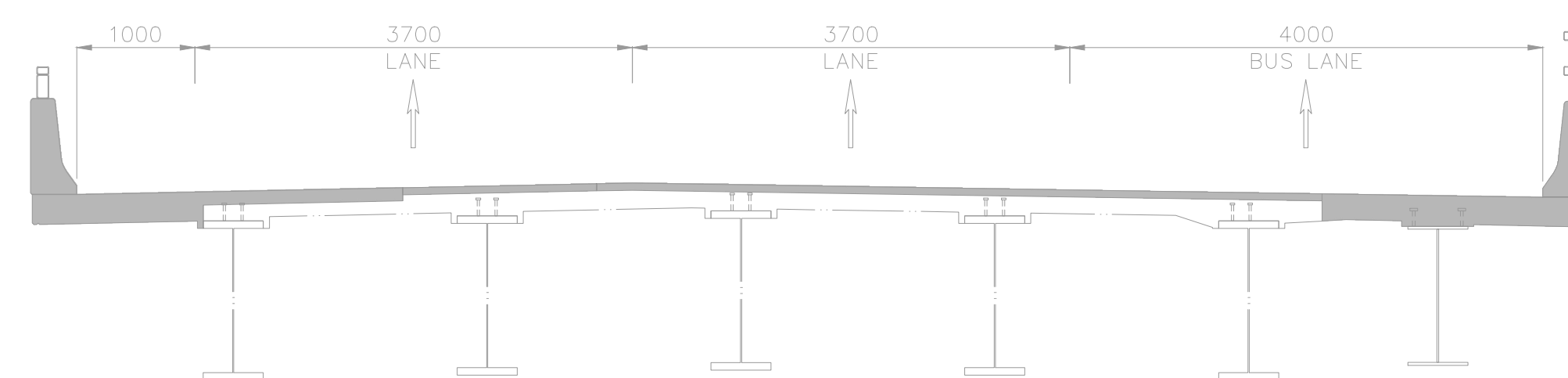


STAGE 8:

PROVIDE 1 LANE OF TRAFFIC (EASTBOUND) ON 02655 TO FACILITATE MILL AND FILL OF THE OVERLAY. FINISH WITH DECK MACHINE TO FINAL LEVELS.
 PROVIDE 3 LANES OF TRAFFIC TO 01378 (2 WESTBOUND, 1 EASTBOUND). TRAFFIC CAN BE FULLY SWITCHED TO 02655 AT NIGHT IF REQUIRED.


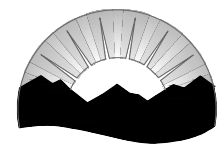


STAGE 9



STAGE 9:

FINAL LANE ARRANGEMENT.

Consultant Logo		 ENGINEERS AND GEOSCIENTISTS BRITISH COLUMBIA PERMIT TO PRACTICE NUMBER : 1001591	
Rev	Date	Description	Init
REVISIONS			
 BRITISH COLUMBIA		Ministry of Transportation & Infrastructure South Coast Region	
VANCOUVER ISLAND DISTRICT TRANS-CANADA HIGHWAY No. 1 COLQUITZ RIVER BRIDGE No. 01378 – BRIDGE WIDENING, RETROFIT, AND RENEWAL PROPOSED CONSTRUCTION STAGING – SHEET 2 OF 2			
PREPARED UNDER THE DIRECTION OF BEHRAD ZIBANIA ENGINEER OF RECORD		DESIGNED: BZ DATE 2023/01/06 CHECKED: CUL DATE 2023/01/06 DRAWN: AB DATE 2023/01/06 SCALE AS NOTED NEGATIVE No.	
FILE No.	PROJECT No.	REG.	DRAWING No.
	17065		01378-1016