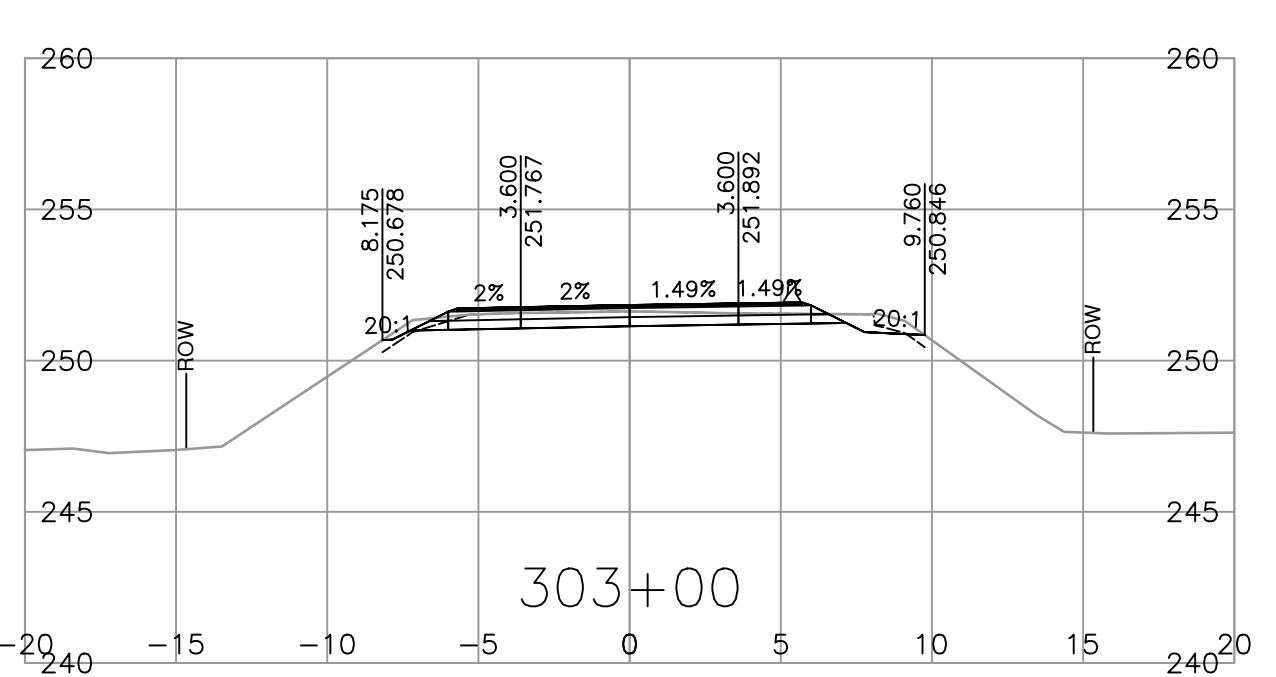
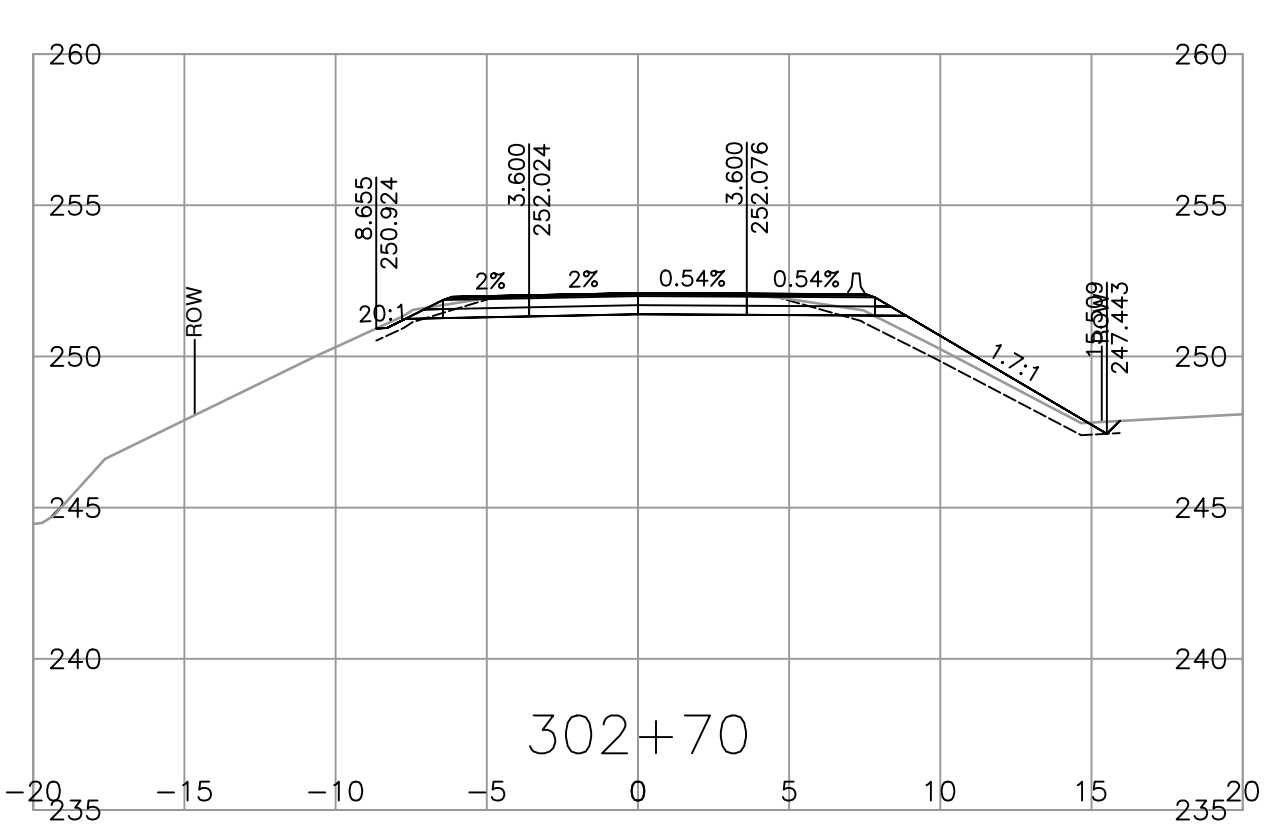
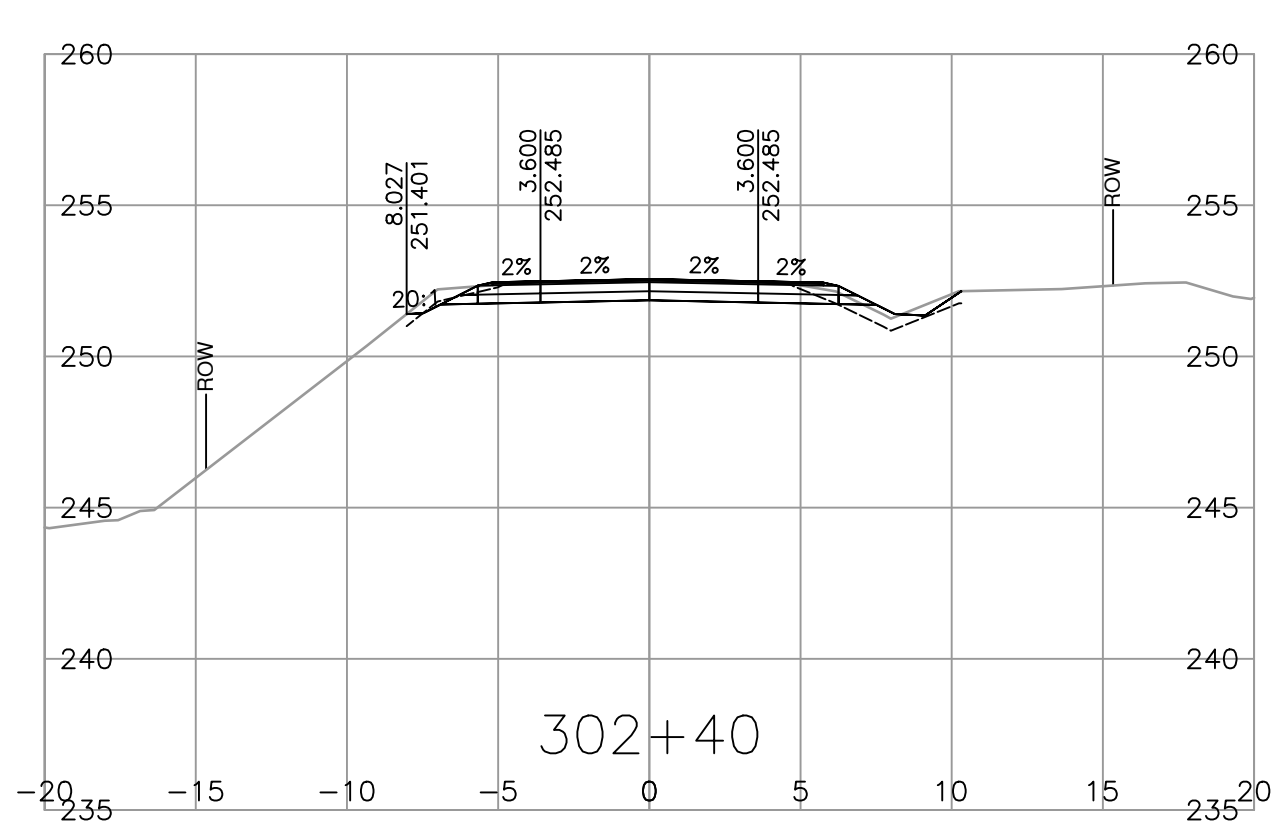
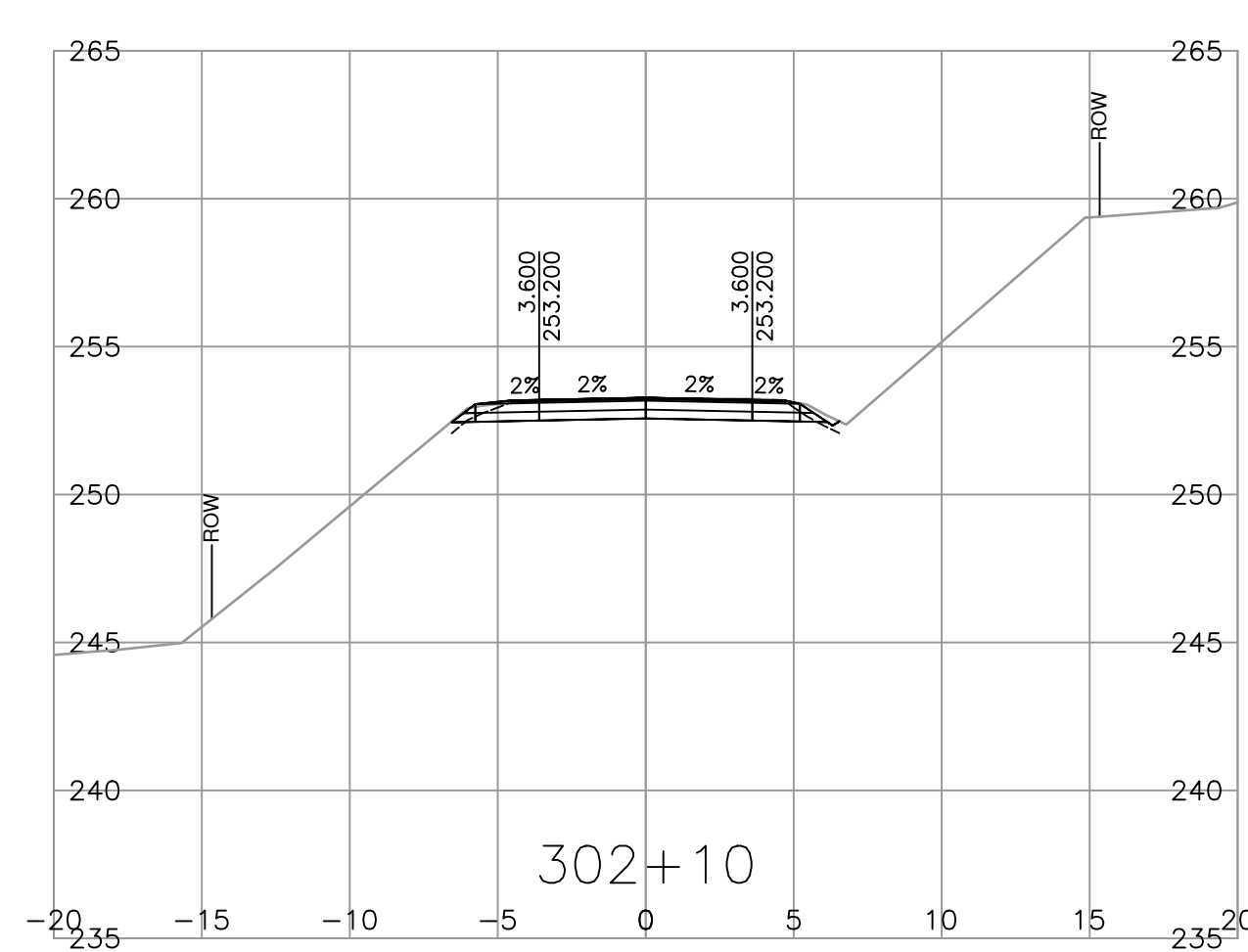
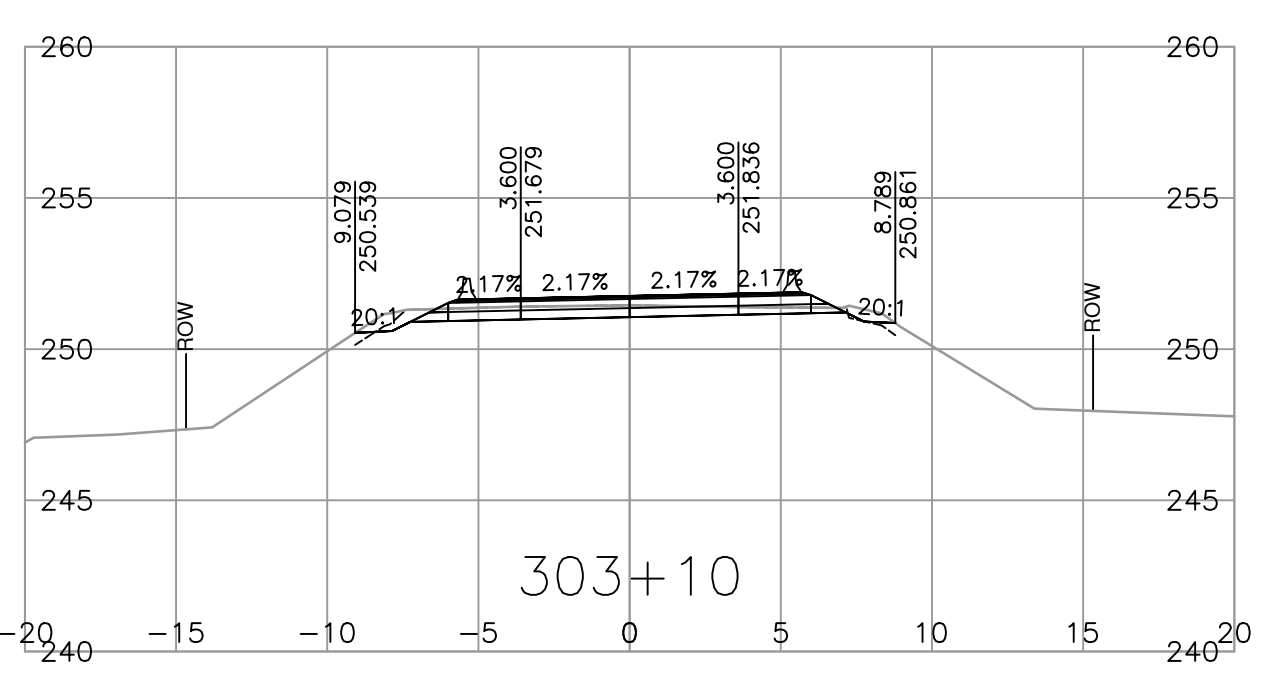
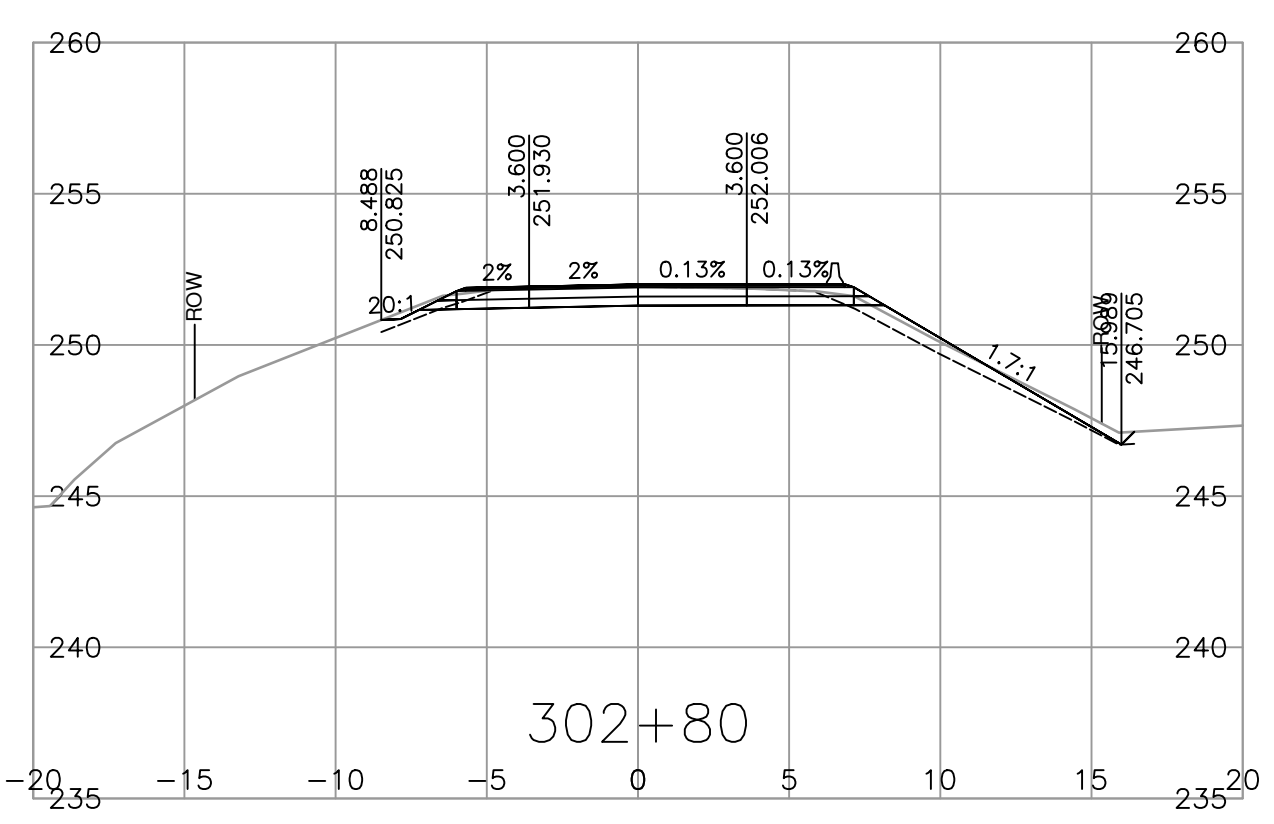
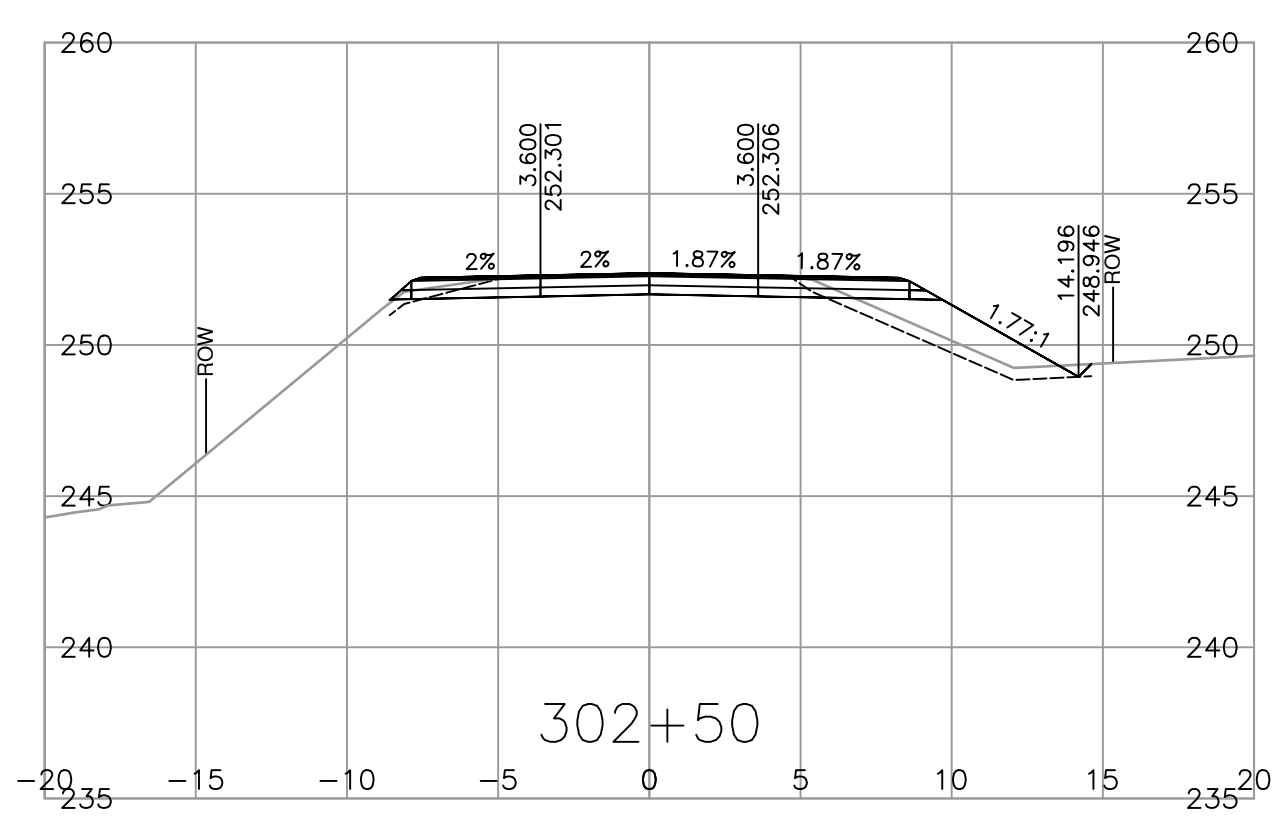
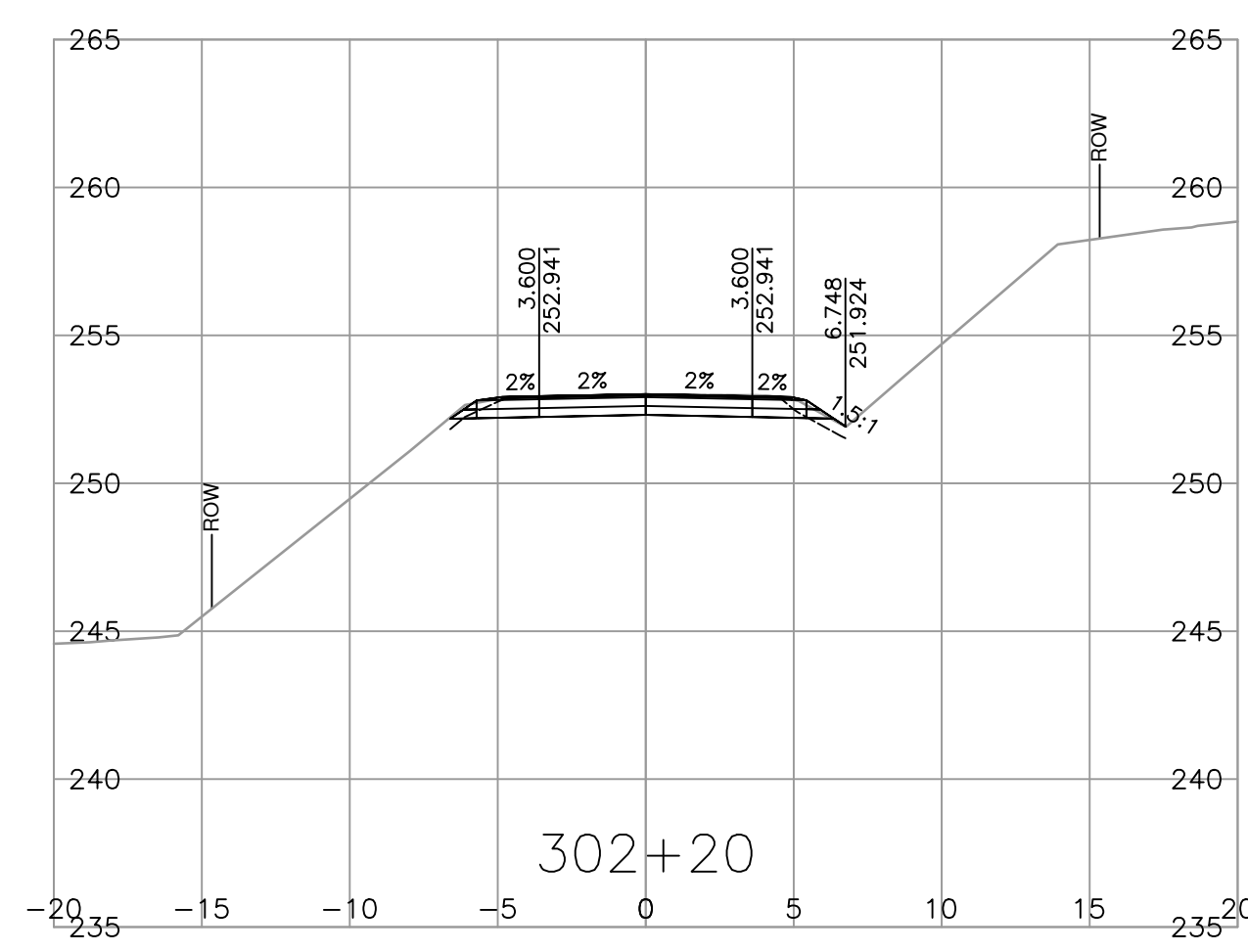
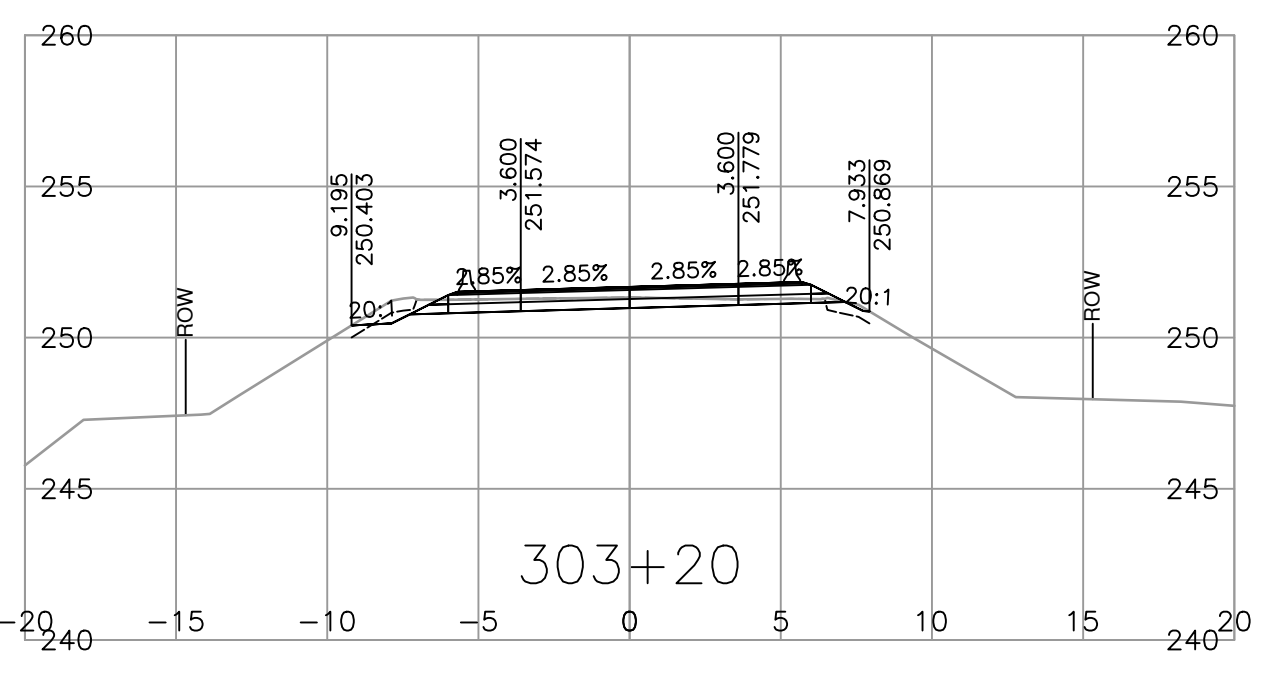
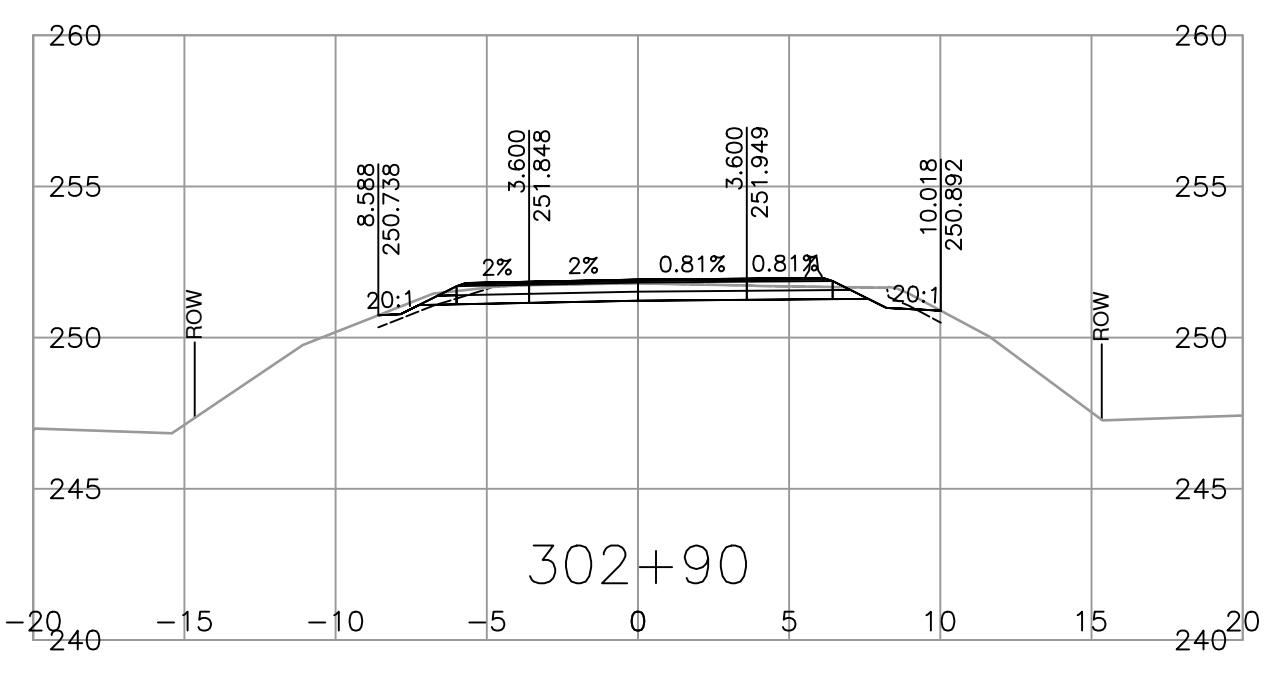
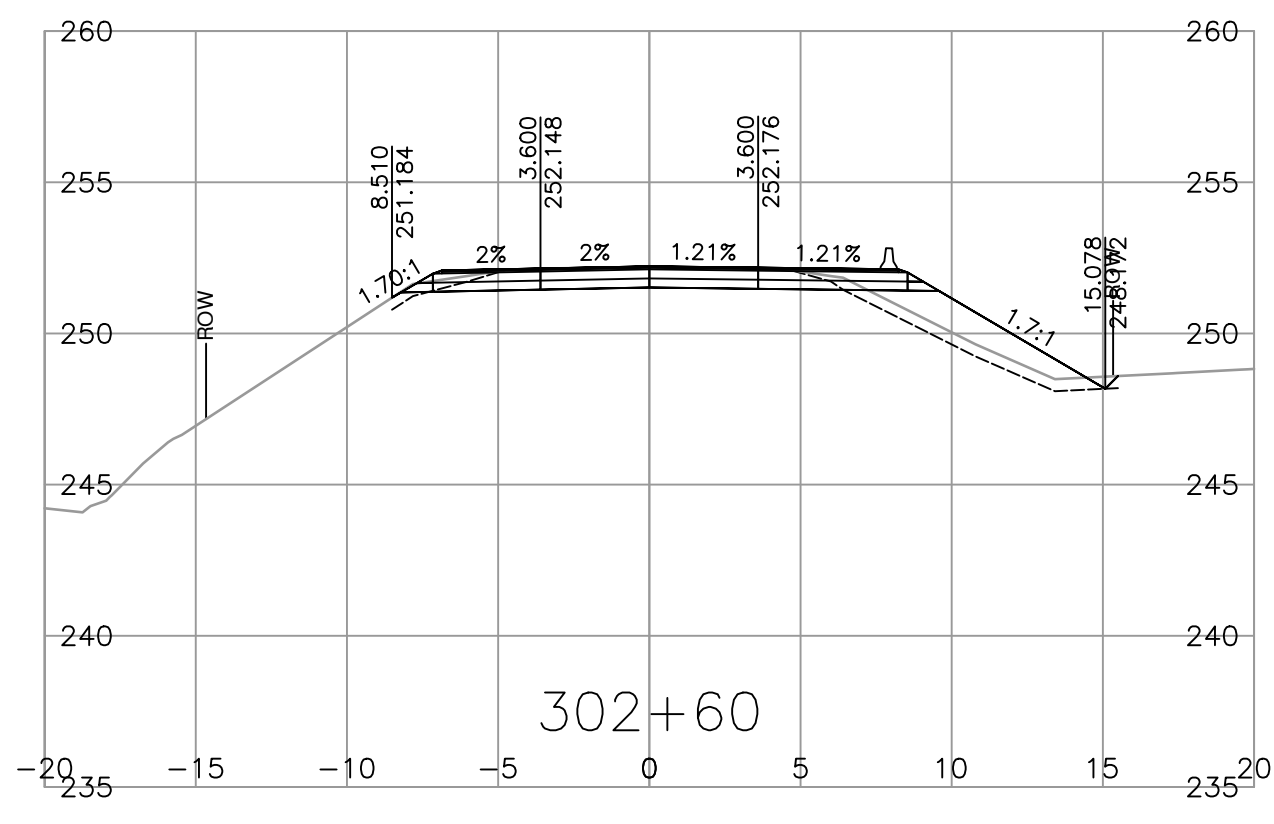
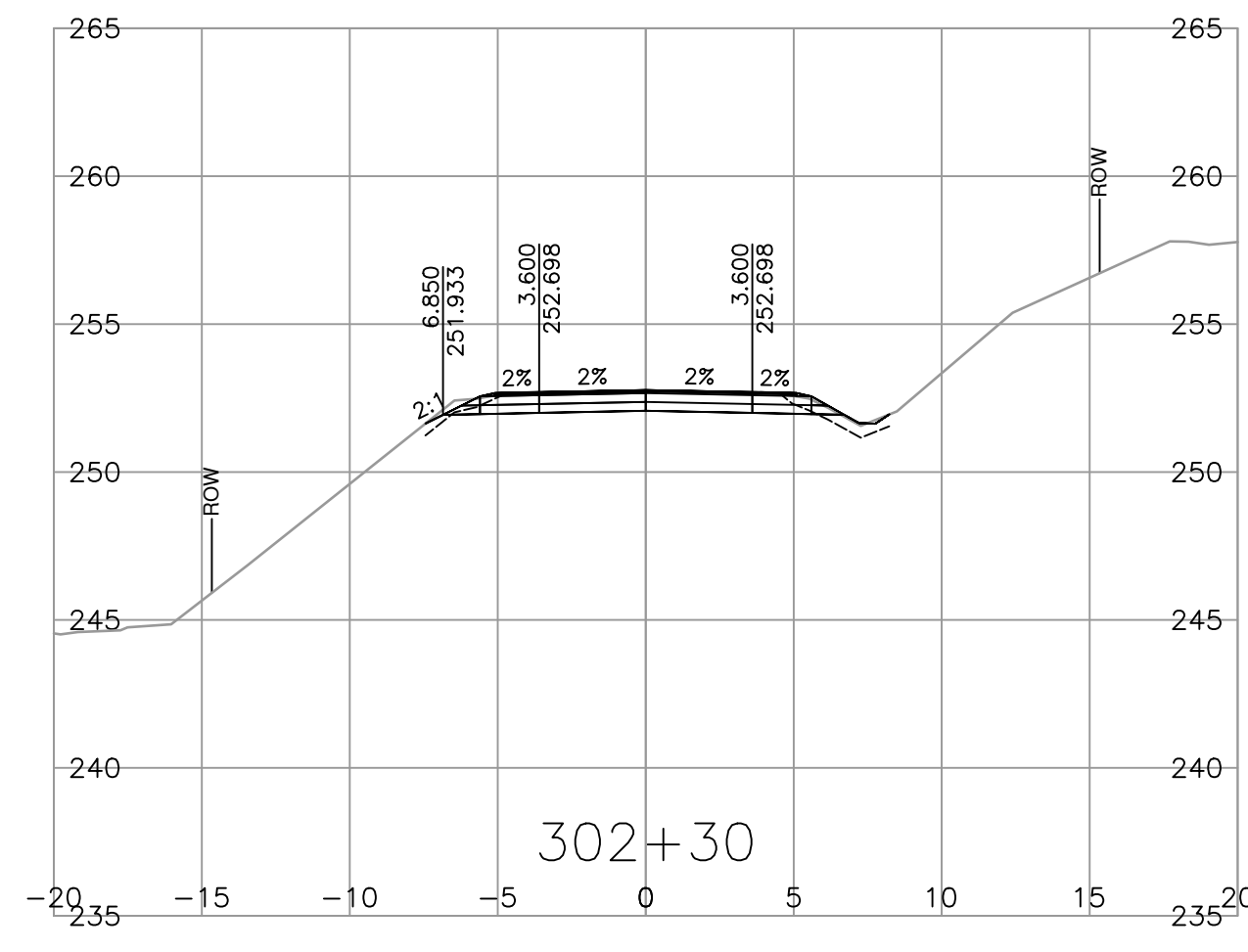
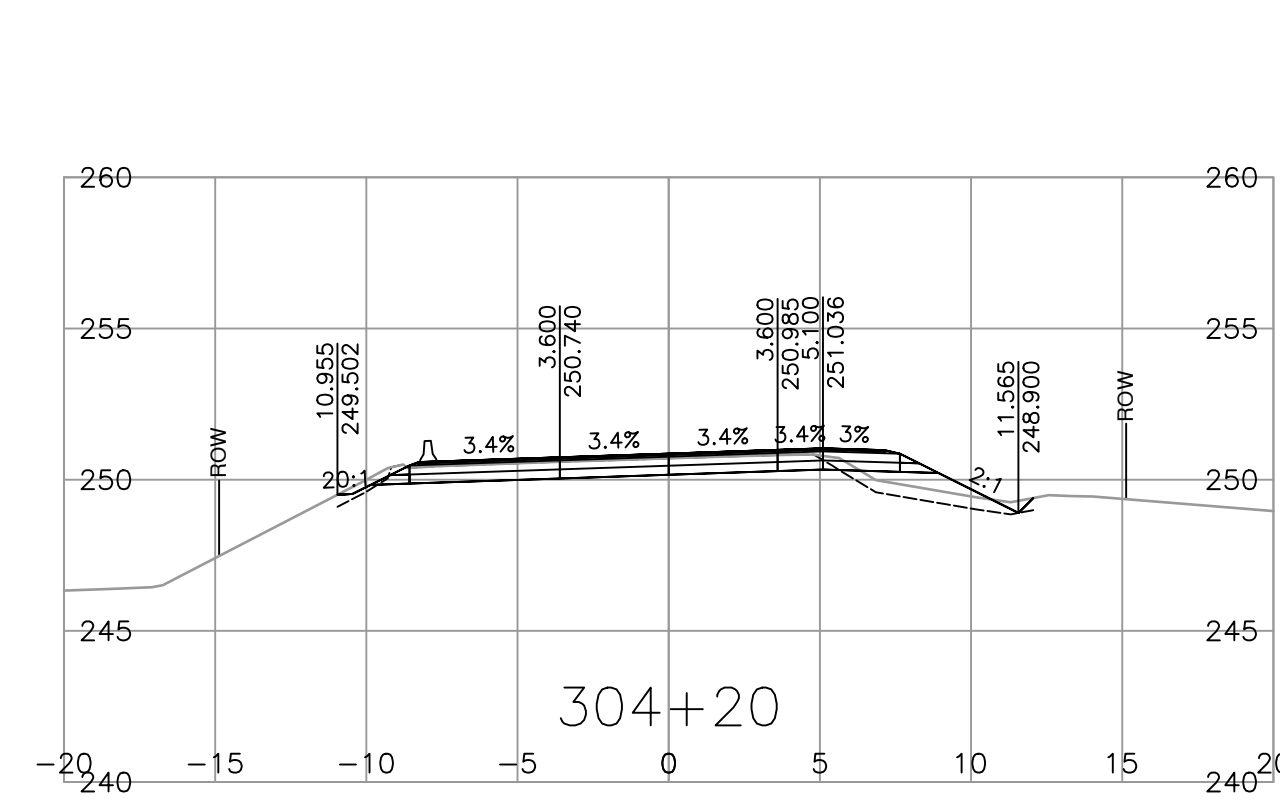
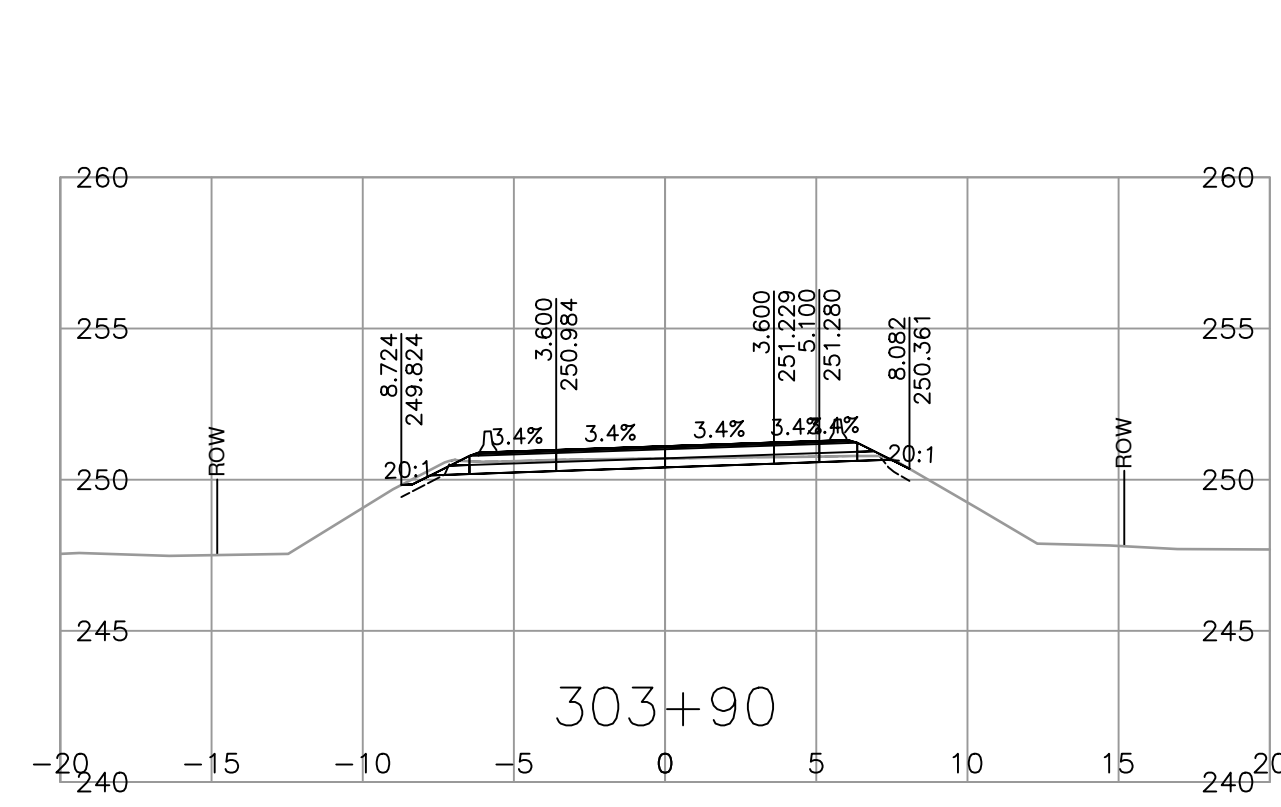
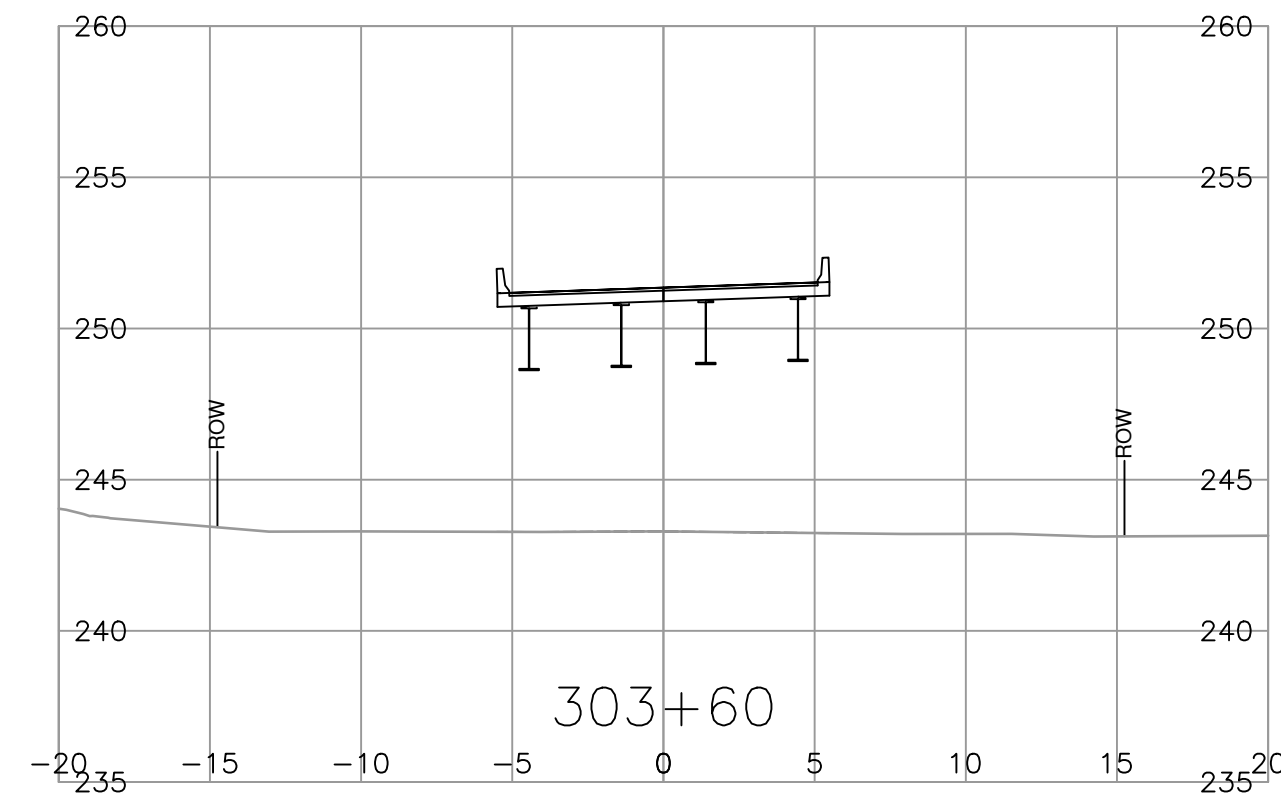
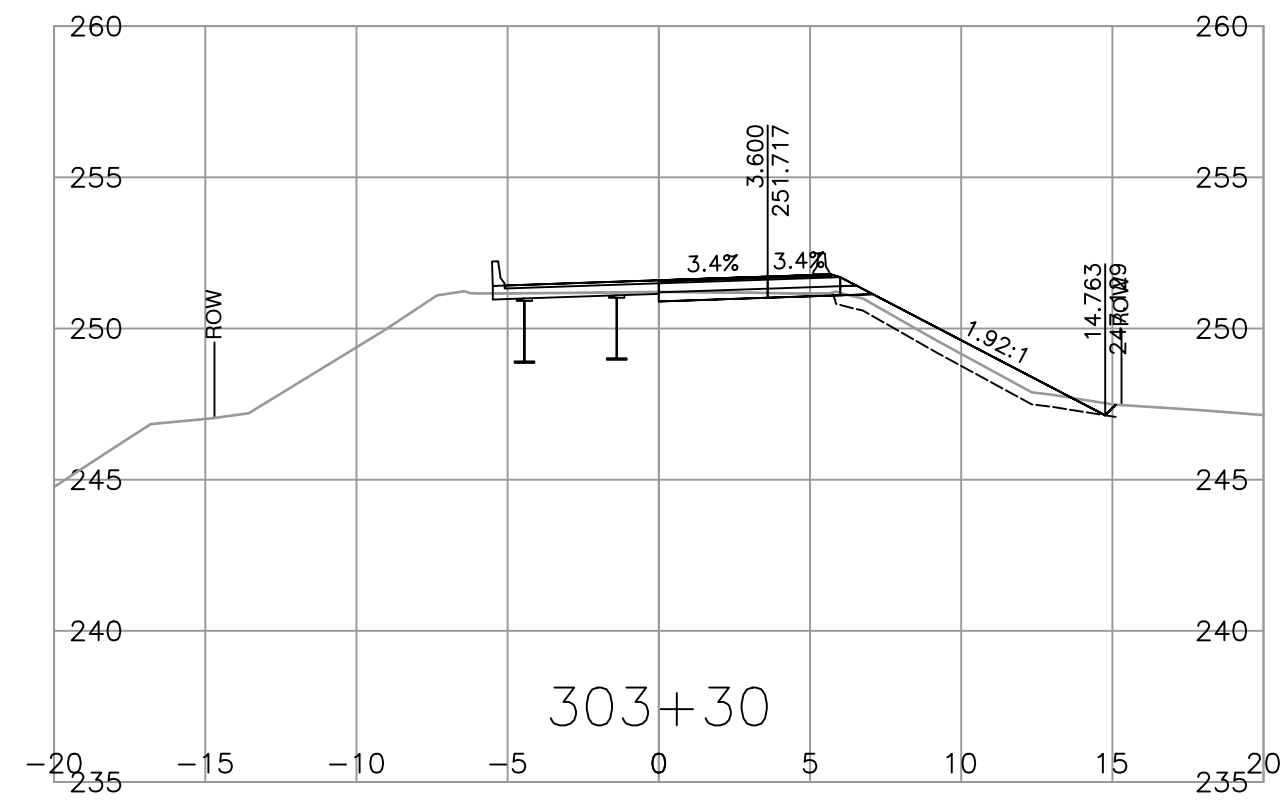
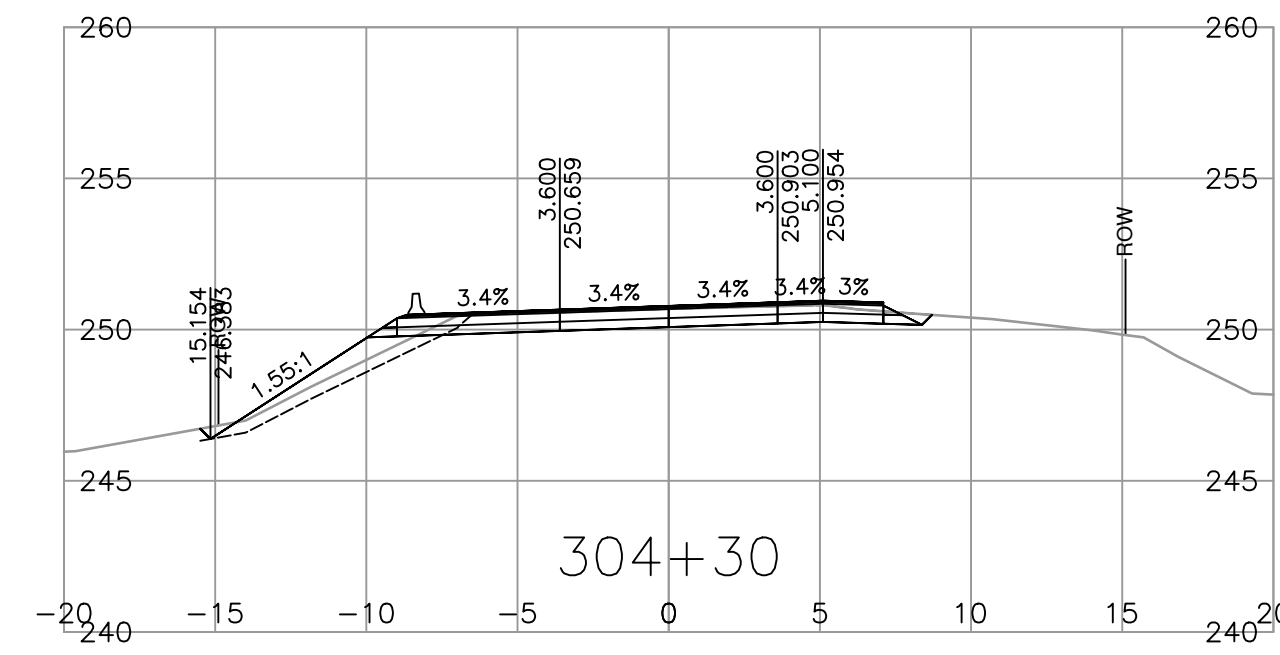
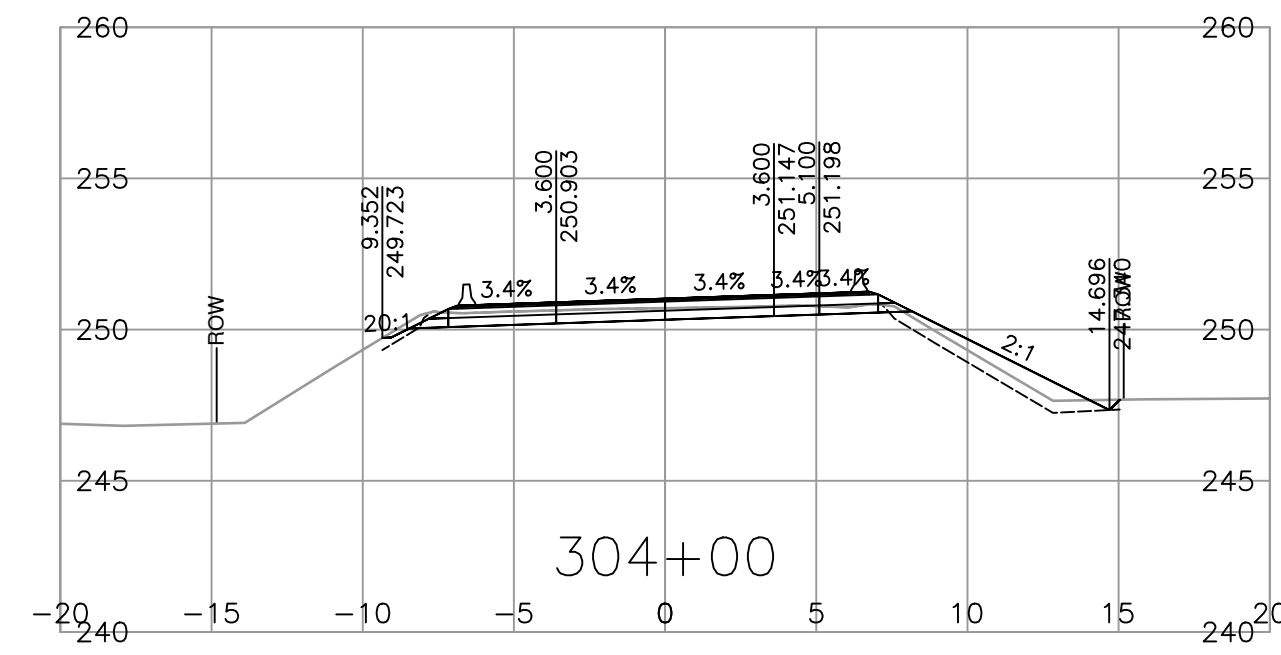
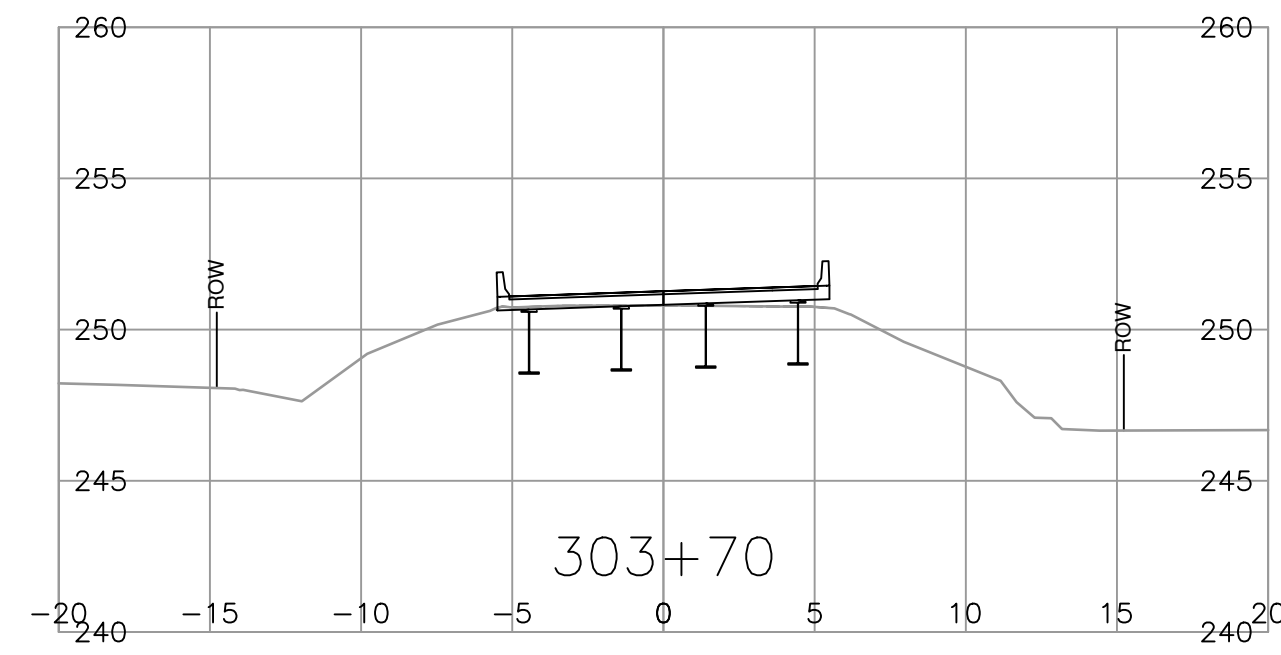
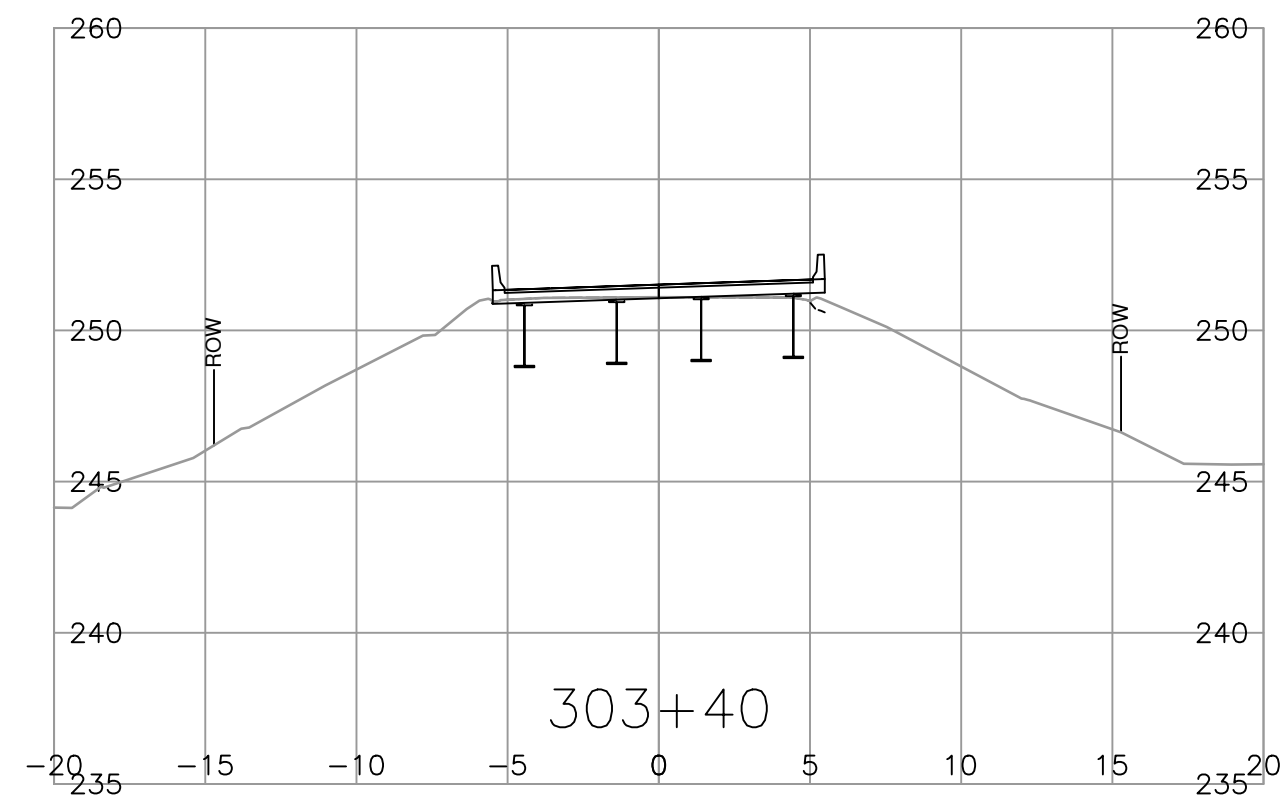
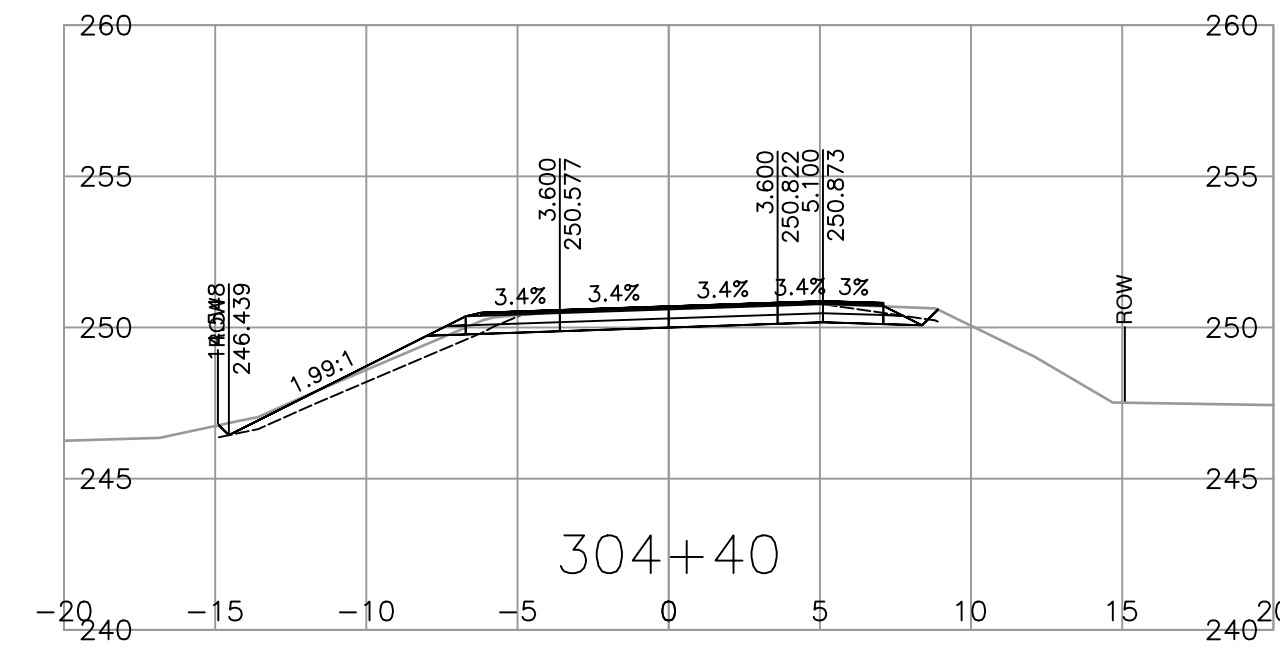
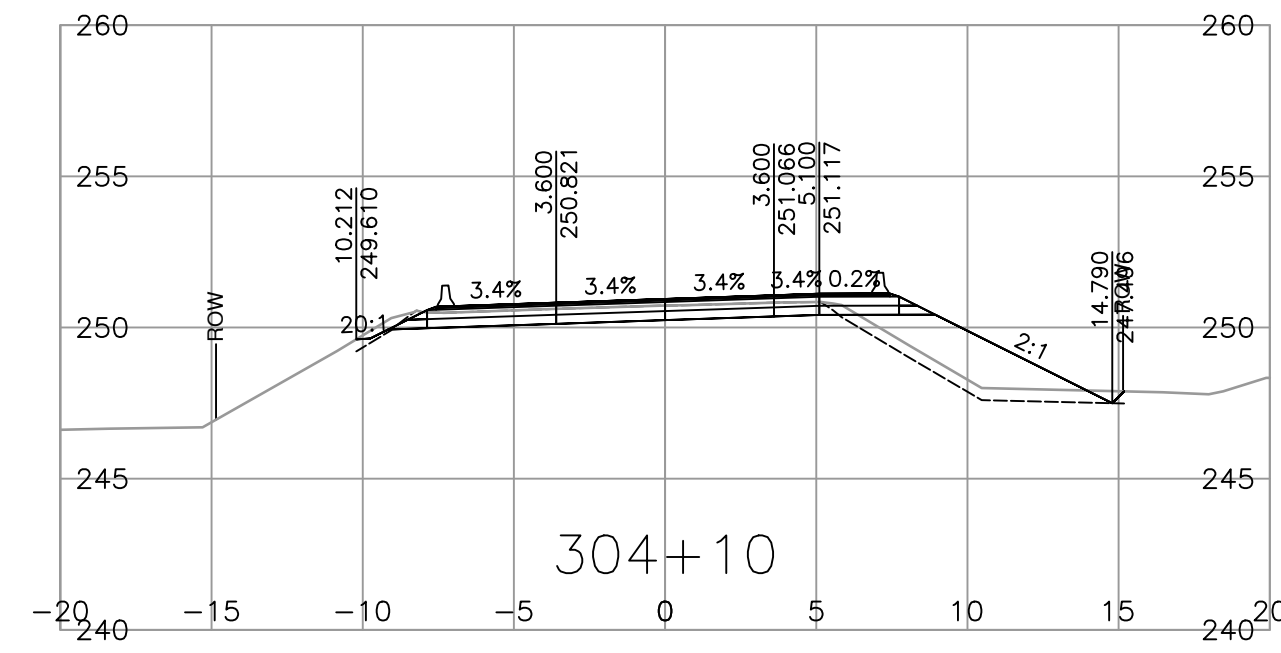
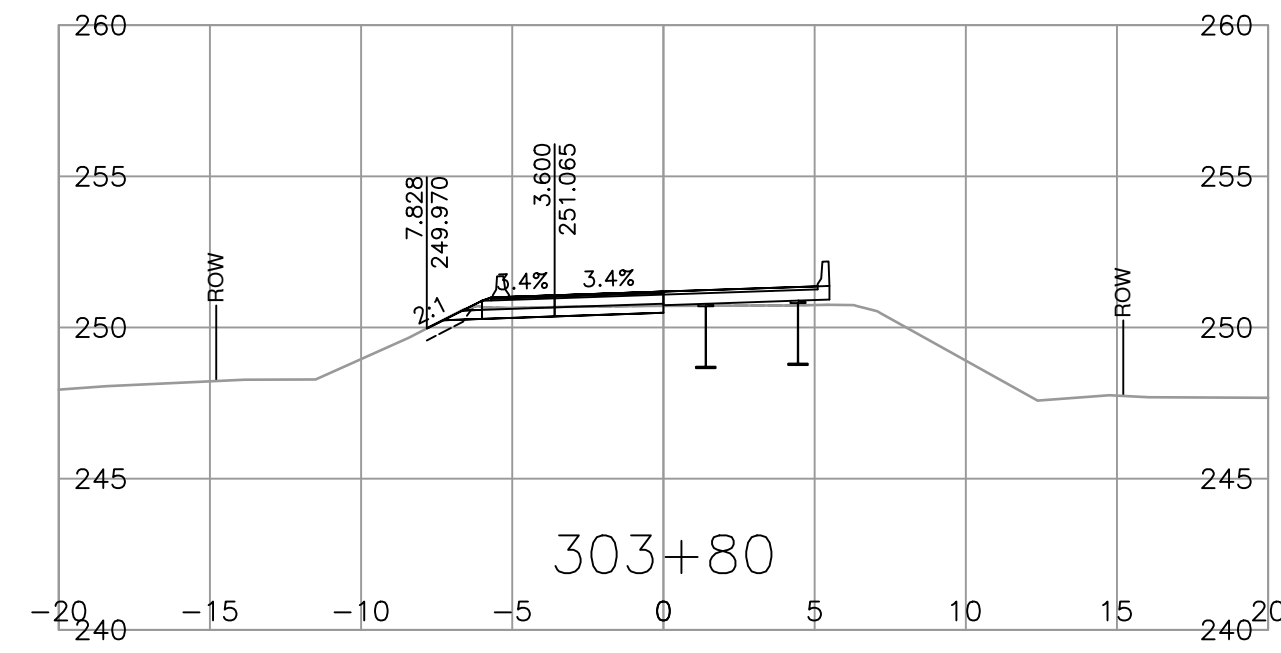
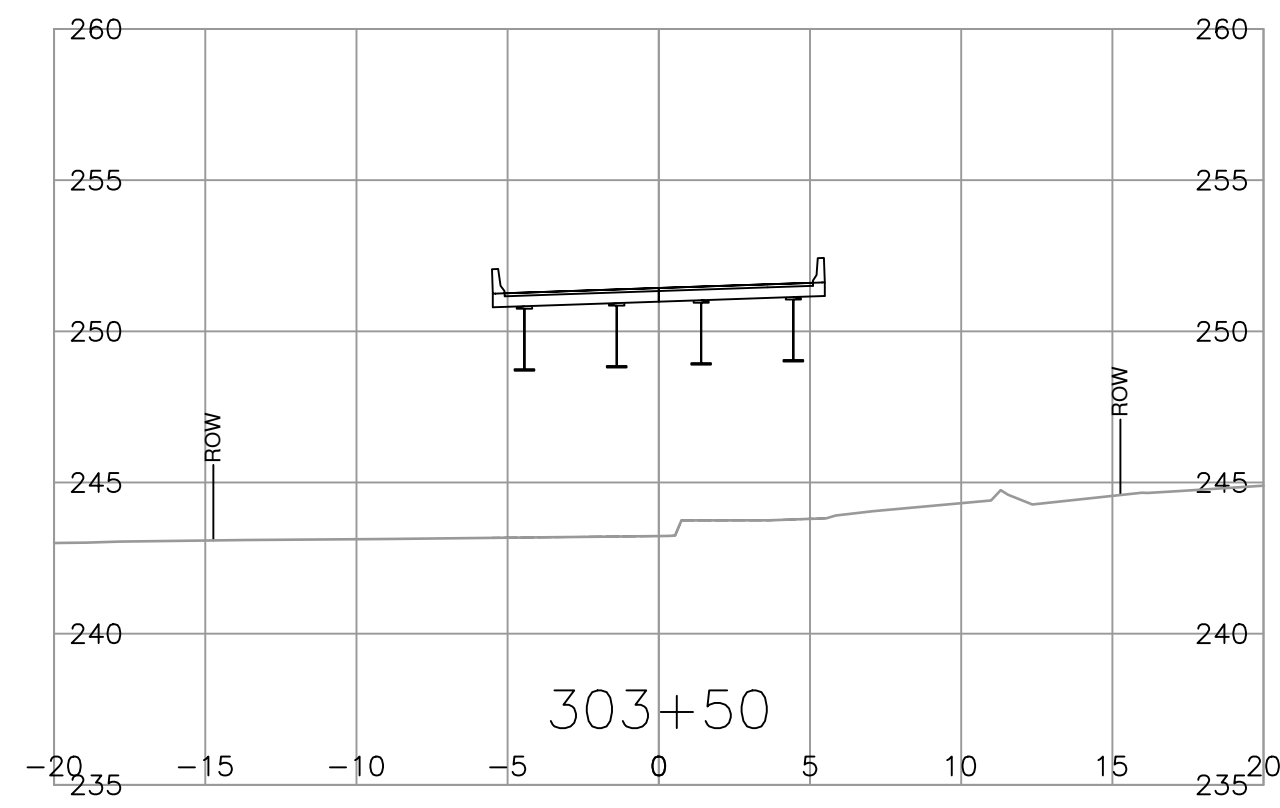


PLOT DATE: 2023/03/10 G:\2020-2947-00\civil\model\Hwy28_CervusCr_GROUND\DrawingProduction\1000_DesignSections\R1-964-1041_1043.dwg



Associated Engineering		BRITISH COLUMBIA MINISTRY OF TRANSPORTATION AND INFRASTRUCTURE SOUTH COAST REGION HIGHWAY DESIGN AND GEOMATICS ENGINEERING	
SCALE 0 2 1:250 12m		CAD FILENAME R1-964-1041 PLOT DATE 2023-03-03	
CROSS SECTIONS CERVUS CREEK BRIDGE HIGHWAY 28 SHEET 1 OF 3			
DESIGNED <u>D. BRAGAGNINI</u> DATE <u>2023-03-03</u>		QUALITY CONTROL <u>S. BIDULKA</u> DATE <u>2023-03-03</u>	
ENGINEER OF RECORD <u>SHAUN BIDULKA, P. ENG.</u>		QUALITY ASSURANCE <u>P. TSANG</u> DATE <u>2023-03-03</u>	
DATE <u>2023-03-03</u>		DRAWN <u>H. YIN</u> DATE <u>2023-03-03</u>	
FILE NUMBER 2020-2947-00	PROJECT NUMBER 16850-0003	REG 1	DRAWING NUMBER R1-964-1041

PLOT DATE: 2023/03/10 G:\2020-2947-00\civil\model\Hwy28_CervusCr_GROUND\DrawingProduction\1000_DesignSections\R1-964-1041_1043.dwg



MINISTRY OF TRANSPORTATION AND INFRASTRUCTURE
SOUTH COAST REGION
HIGHWAY DESIGN AND GEOMATICS ENGINEERING

SCALE 0 2 1:250 12m
CAD FILENAME R1-964-1042
PLOT DATE 2023-03-03

REV	DATE	REVISIONS	NAME

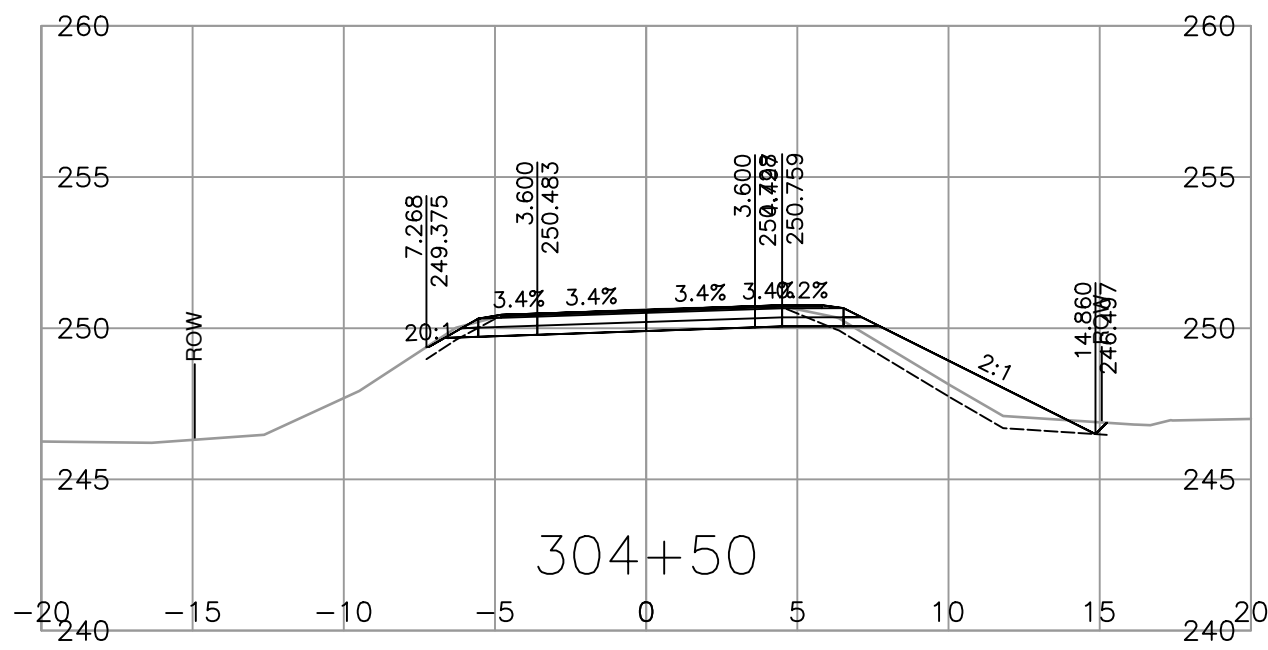
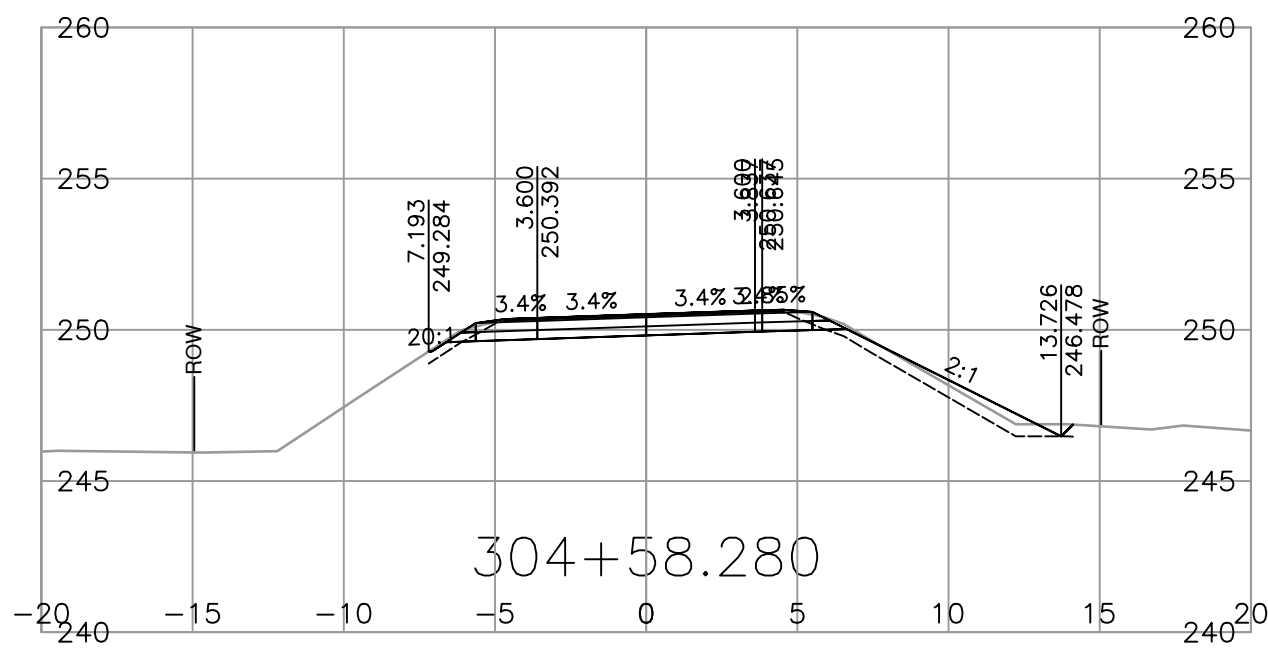
CROSS SECTIONS

CERVUS CREEK BRIDGE
HIGHWAY 28

SHEET 2 OF 3

DESIGNED <u>D. BRAGAGNINI</u> DATE <u>2023-03-03</u>	QUALITY CONTROL <u>S. BIDULKA</u> DATE <u>2023-03-03</u>
ENGINEER OF RECORD <u>SHAUN BIDULKA, P. ENG.</u>	QUALITY ASSURANCE <u>P. TSANG</u> DATE <u>2023-03-03</u>
DATE <u>2023-03-03</u>	DRAWN <u>H. YIN</u> DATE <u>2023-03-03</u>
FILE NUMBER <u>2020-2947-00</u>	PROJECT NUMBER <u>16850-0003</u>
REG <u>1</u>	DRAWING NUMBER <u>R1-964-1042</u>

PLOT DATE: 2023/03/10 G:\2020-2947-00\civil\model\Hwy28_CervusCr_GROUND\DrawingProduction\1000_DesignSections\R1-964-1041_1043.dwg



MINISTRY OF TRANSPORTATION AND INFRASTRUCTURE
SOUTH COAST REGION
HIGHWAY DESIGN AND GEOMATICS ENGINEERING



SCALE 0 2 1:250 12m
CAD FILENAME R1-964-1043
PLOT DATE 2023-02-24

CROSS SECTIONS

CERVUS CREEK BRIDGE
HIGHWAY 28

SHEET 3 OF 3

REV	DATE	REVISIONS	NAME

DESIGNED <u>D. BRAGAGNINI</u> DATE <u>2023-02-24</u>	QUALITY CONTROL <u>S. BIDULKA</u> DATE <u>2023-02-24</u>
ENGINEER OF RECORD <u>SHAUN BIDULKA, P. ENG.</u>	QUALITY ASSURANCE <u>P. TSANG</u> DATE <u>2023-02-24</u>
DATE <u>2023-02-24</u>	DRAWN <u>H. YIN</u> DATE <u>2023-02-24</u>
FILE NUMBER <u>2020-2947-00</u>	PROJECT NUMBER <u>16850-0003</u>
REG <u>1</u>	DRAWING NUMBER <u>R1-964-1043</u>
REV	