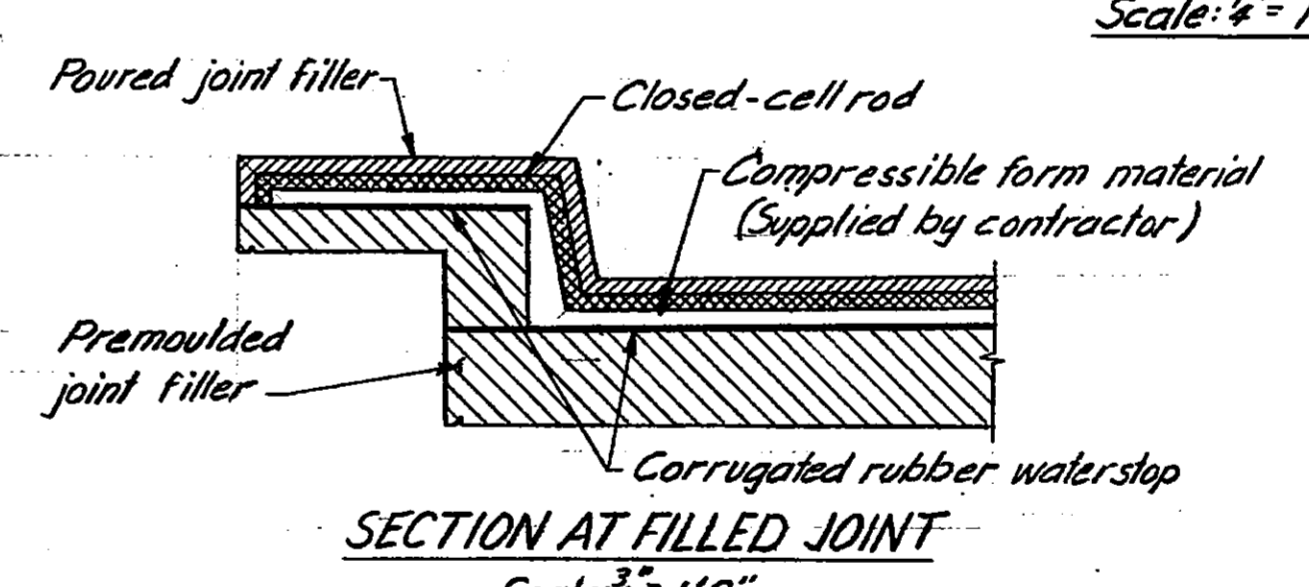
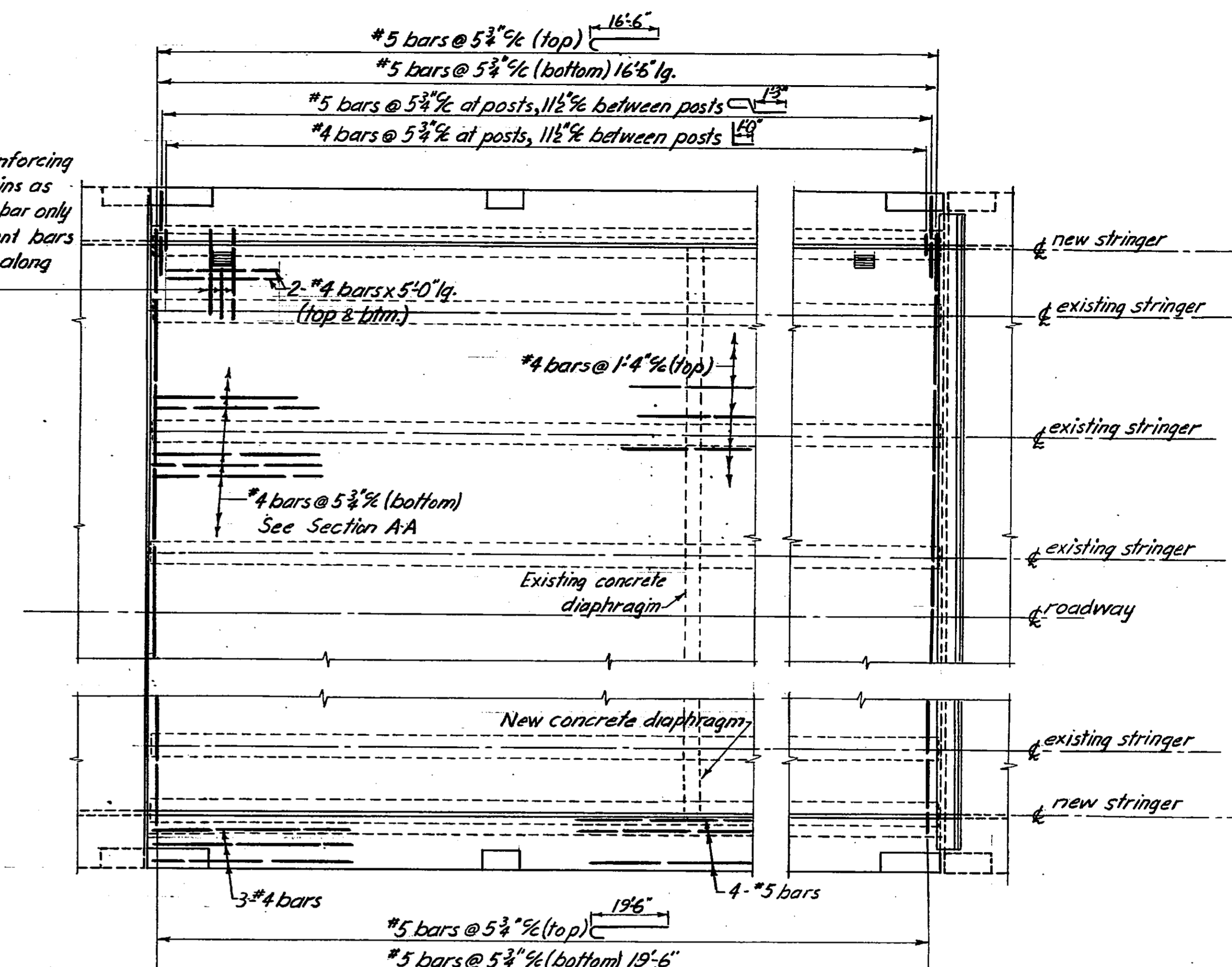
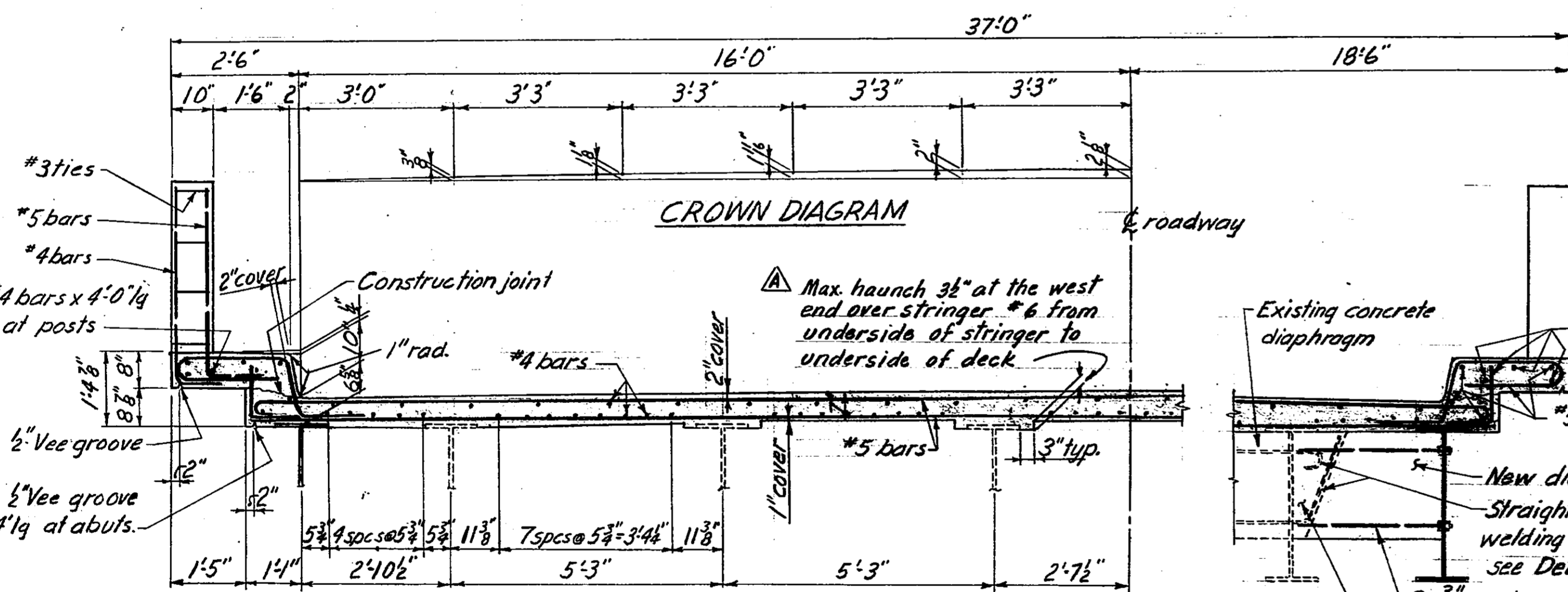
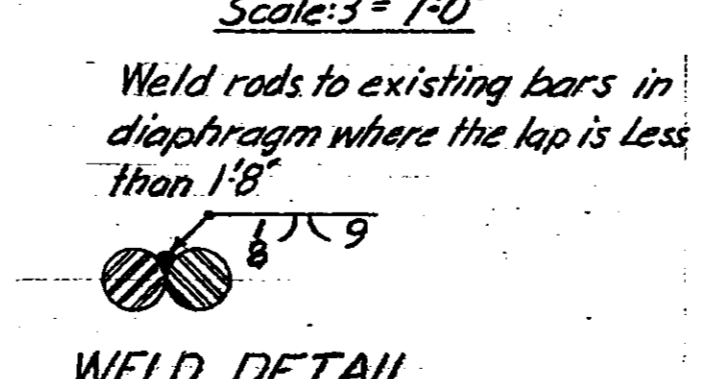
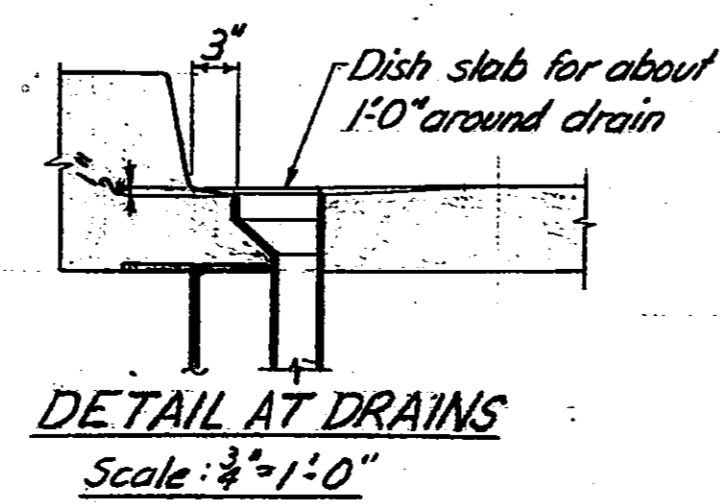
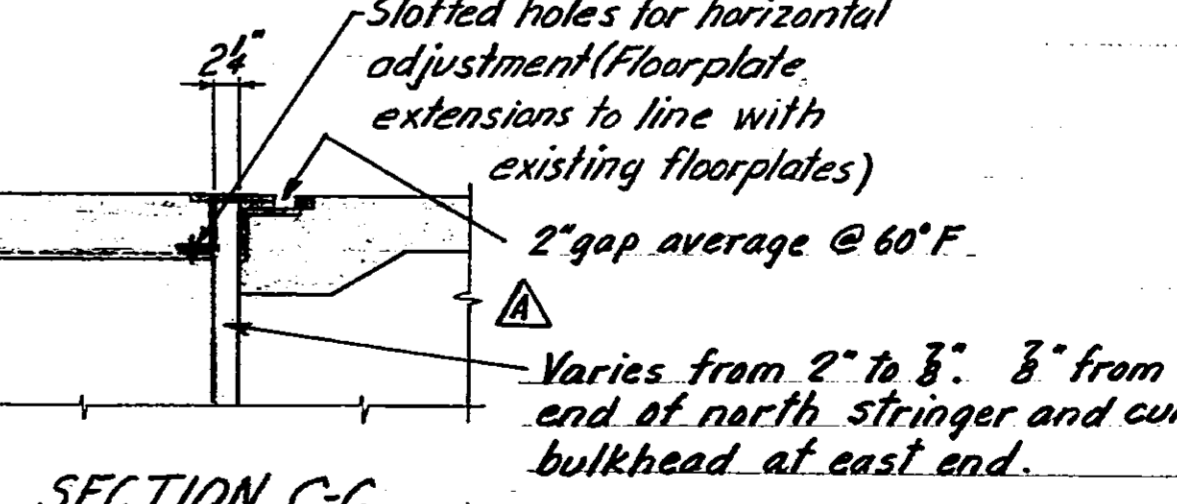
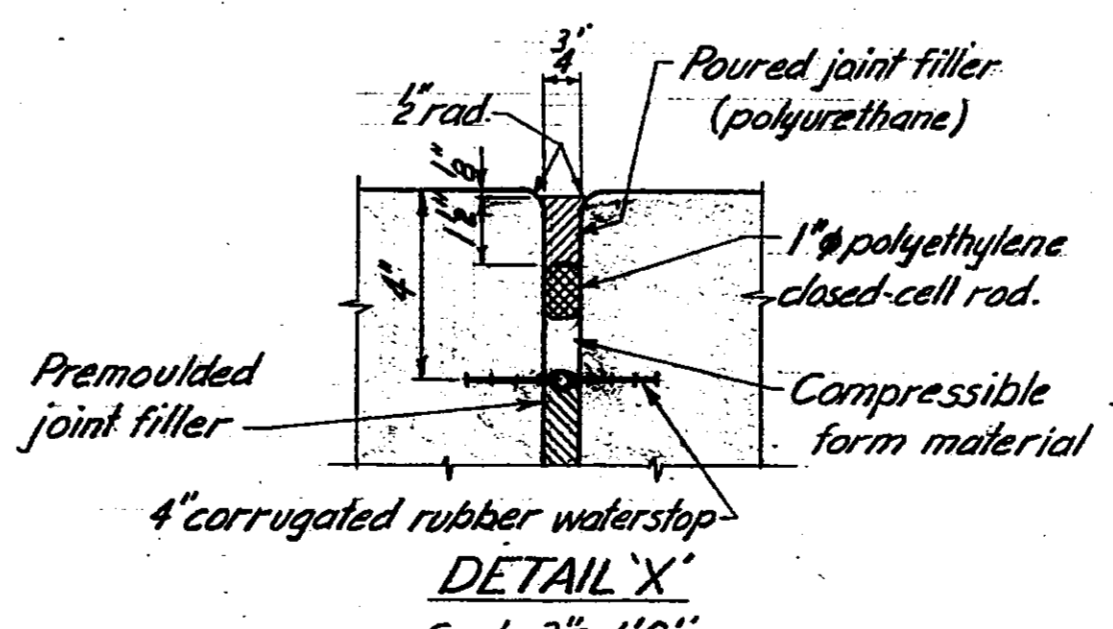
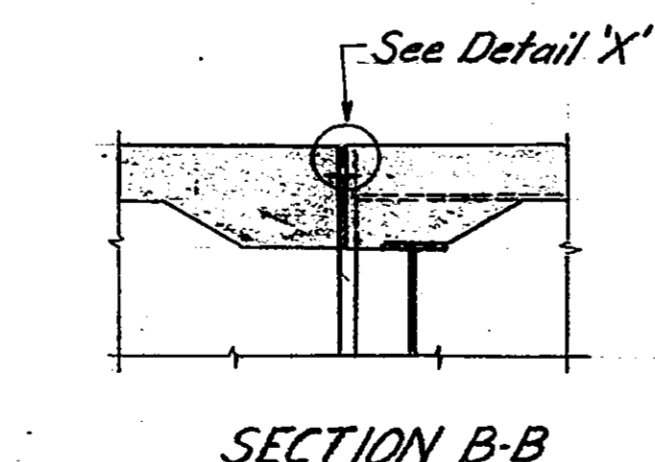
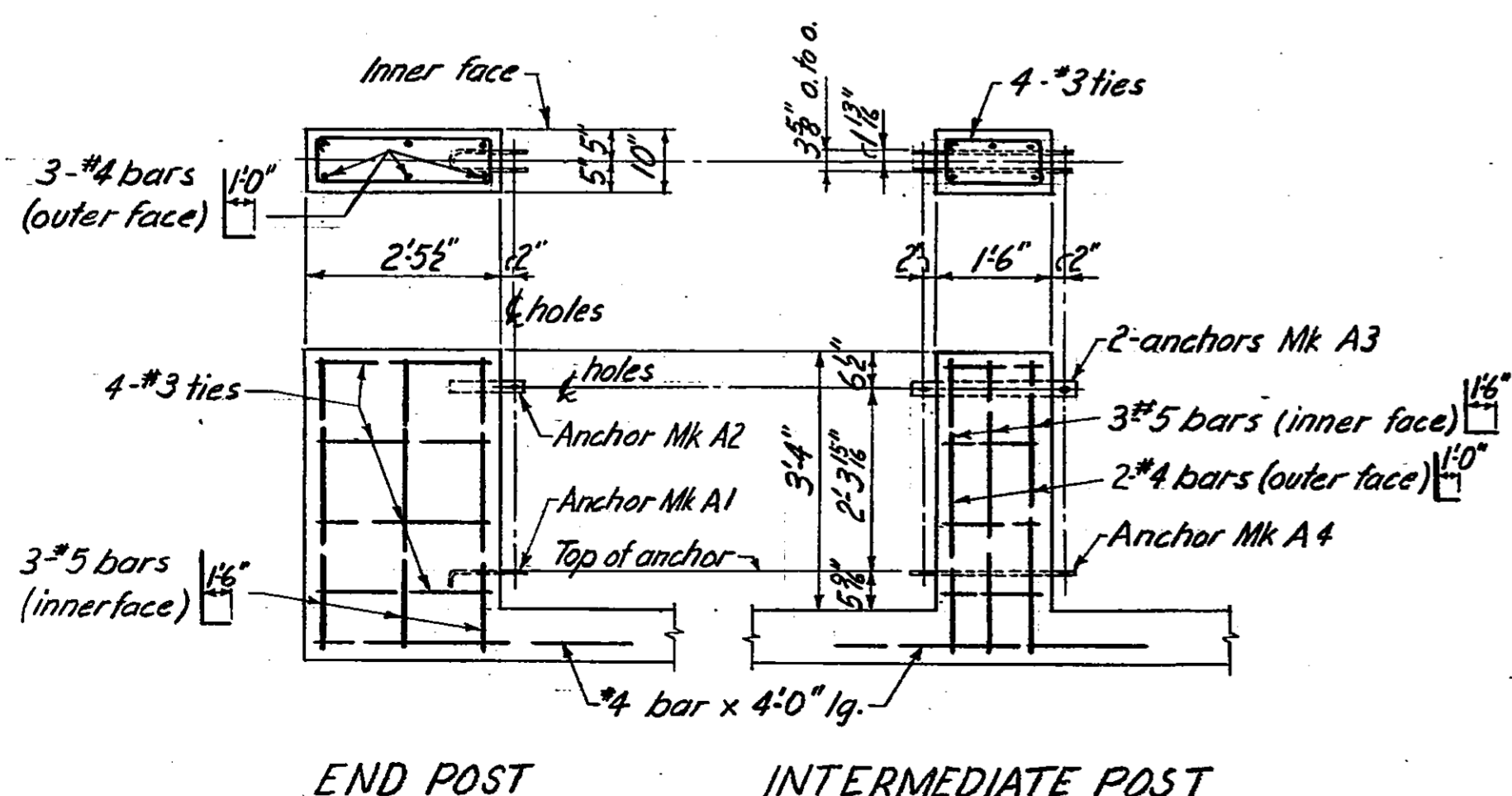


Transverse deck reinforcing to be positioned at drains as shown. One transverse bar only may be cut with adjacent bars placed immediately along side of drain

For details of Abutment decks see Dwg. 1242-8



- Notes:**
- All concrete to be class 'A'.
 - All exposed edges to have 1/2" chamfer unless noted otherwise.
 - Curbs to be formed and placed after roadway slab is set.
 - All reinforcing to be intermediate grade.
 - Reinforcing to have 1/2" cover unless noted otherwise.
 - Lap of bars for splices to be 40x d. Splices to be staggered.



142755

ESTIMATED QUANTITIES

Concrete	64	cu. yd.
Formwork	2630	sq. ft.
Reinf. steel	17,500	lb.

BRITISH COLUMBIA DEPARTMENT OF HIGHWAYS
BRIDGE DESIGN

NANAIMO DISTRICT
PORT ALBERNI HIGHWAY
CAMERON R. EAST BR. IMPROVEMENTS
DECK DETAILS

SCALE: 1/2" = 1'-0" AND AS NOTED

RECOMMENDED
DRAWN: [Signature] 31 May 1979
CHECKED: M.C.M. 8/6/79
APPROVED: [Signature]
RECOMMENDED: [Signature]
REVISIONS: [Table]

DRAWING No. 1242-9 A