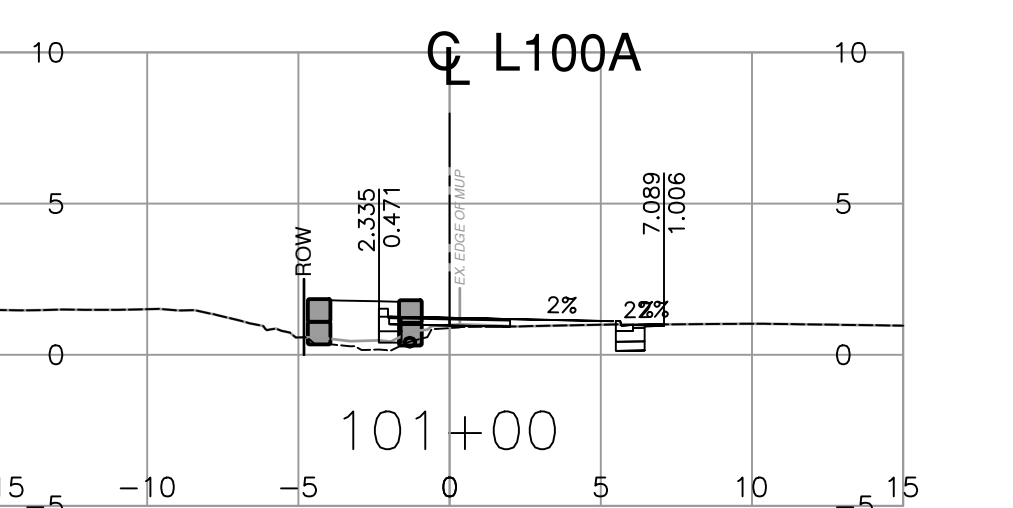
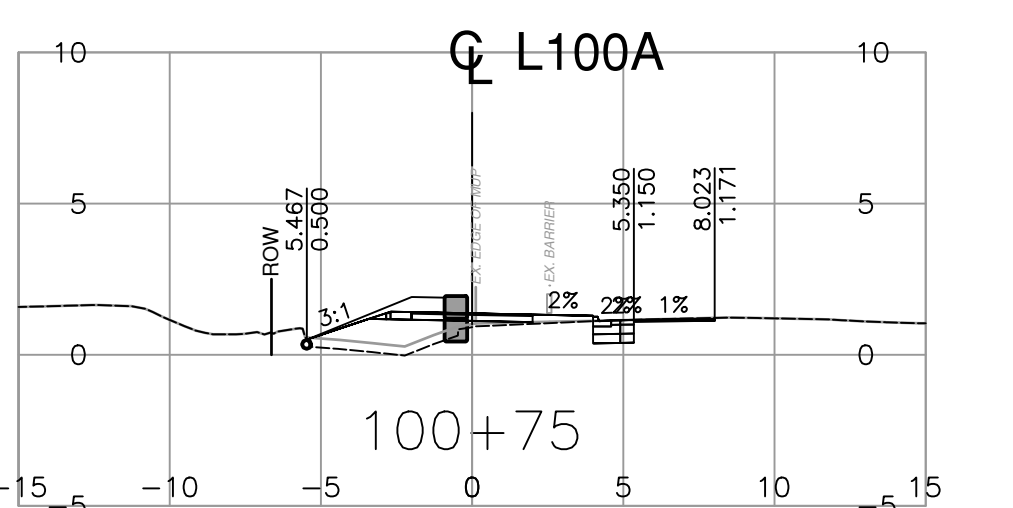
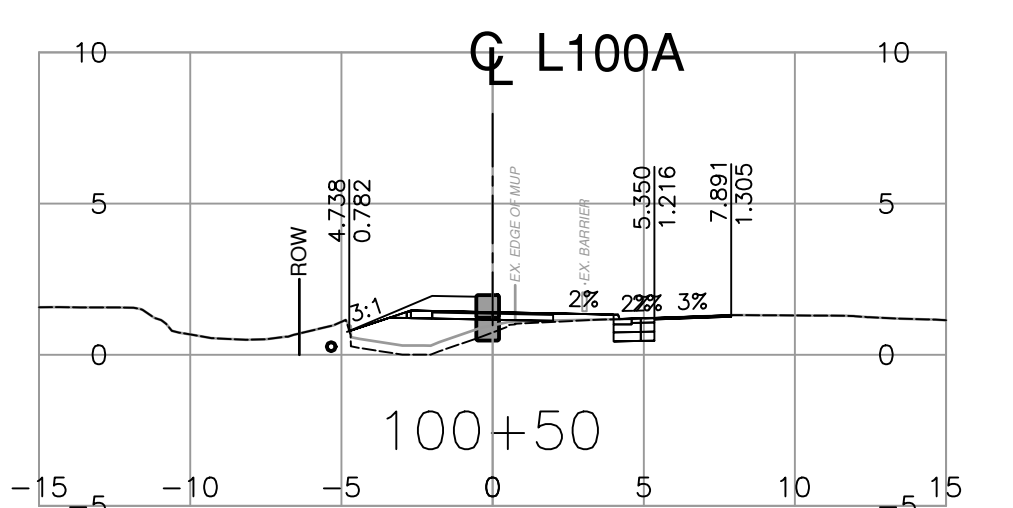
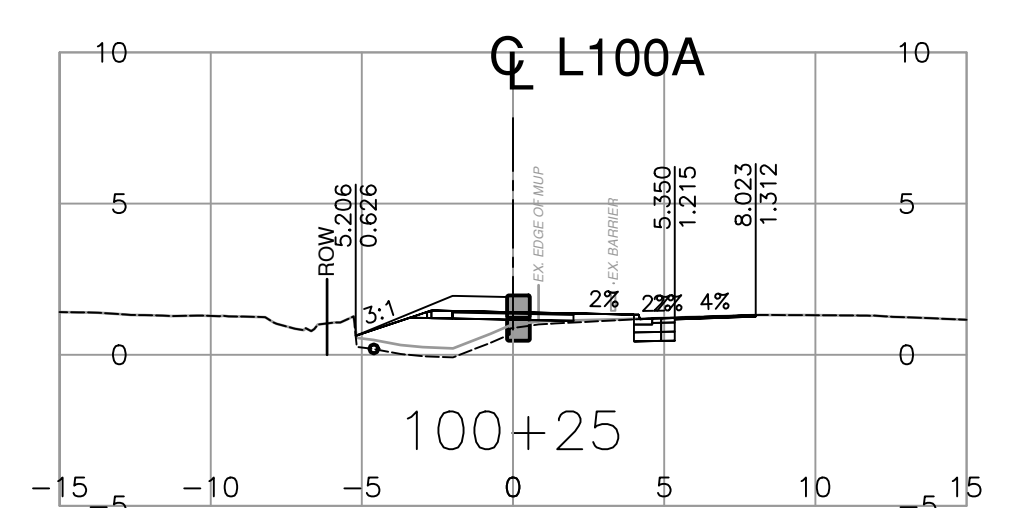
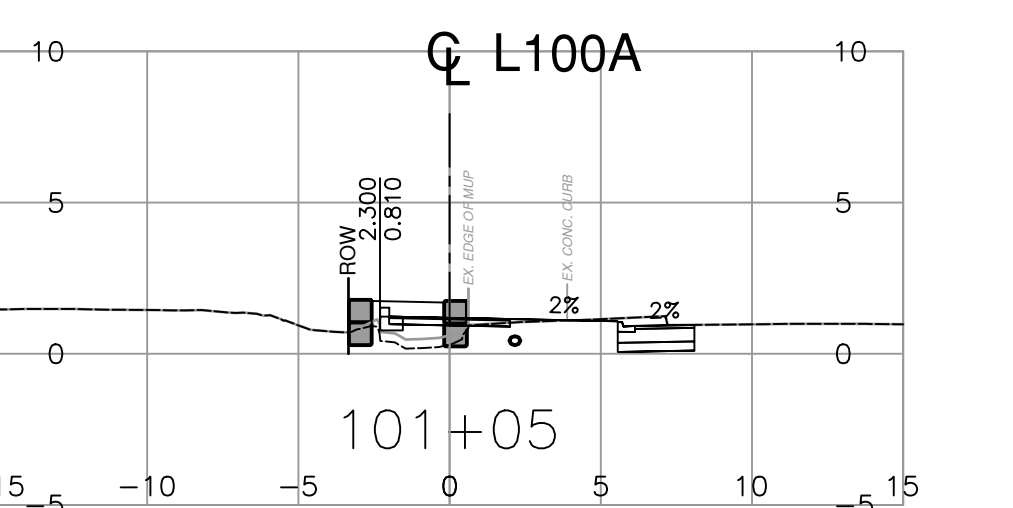
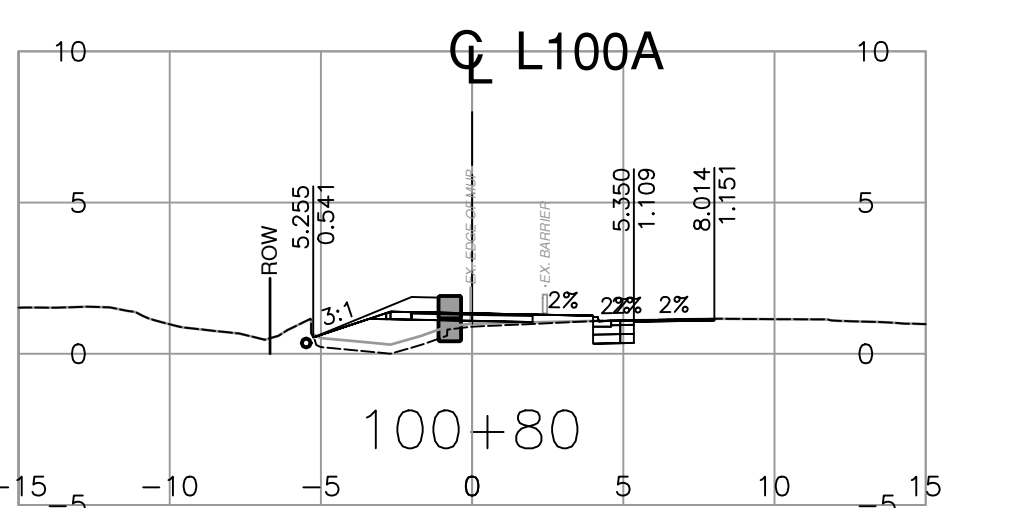
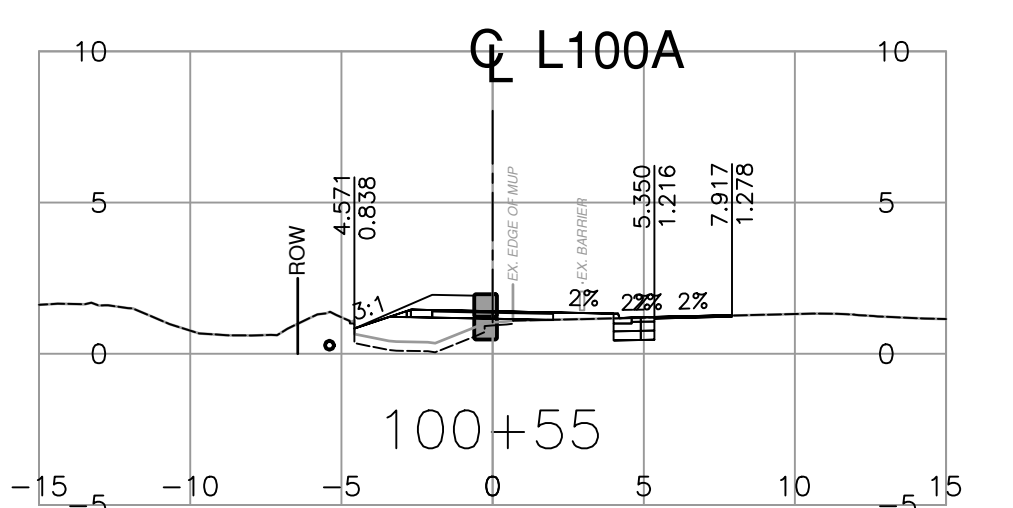
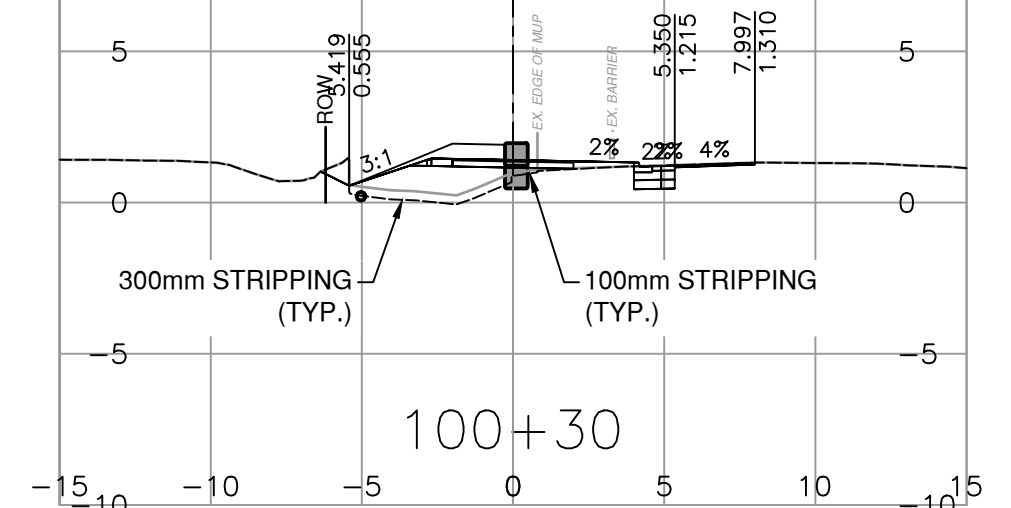
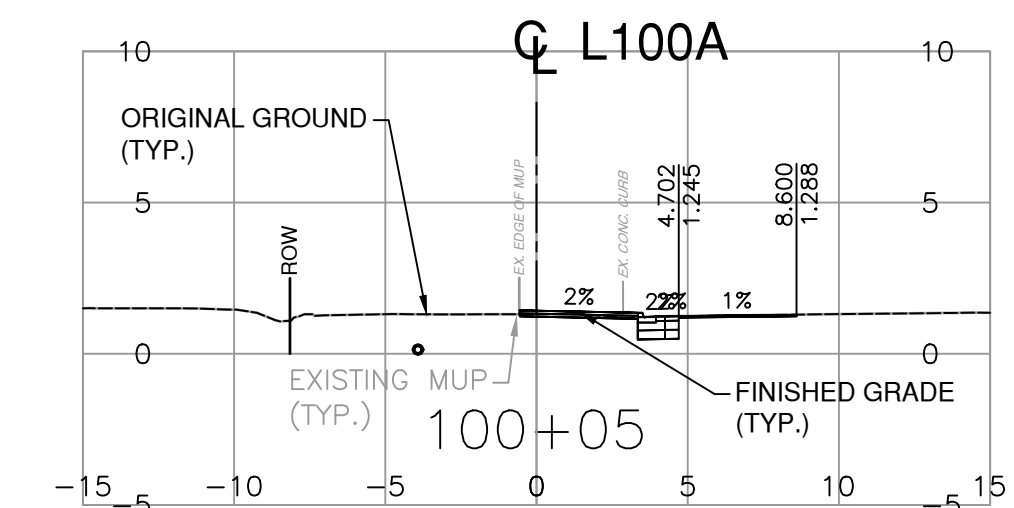
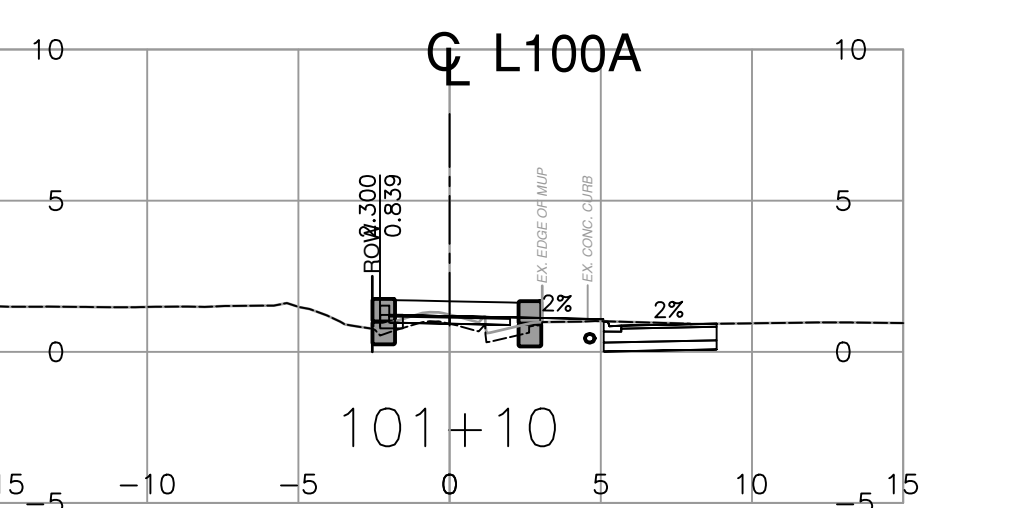
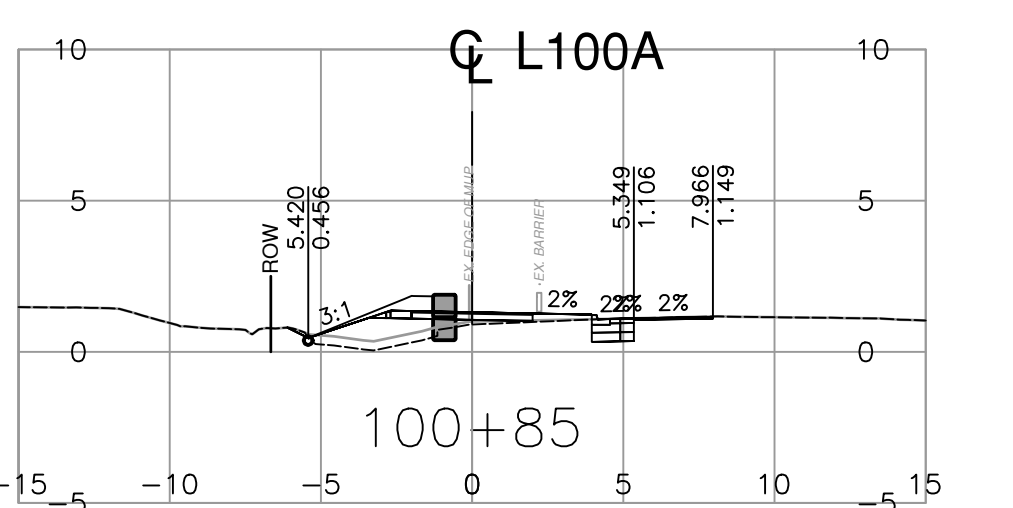
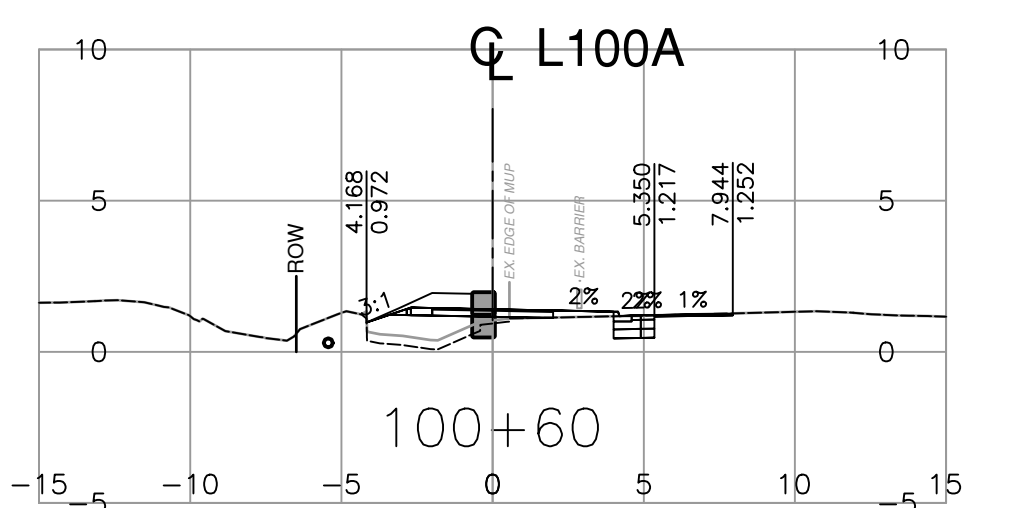
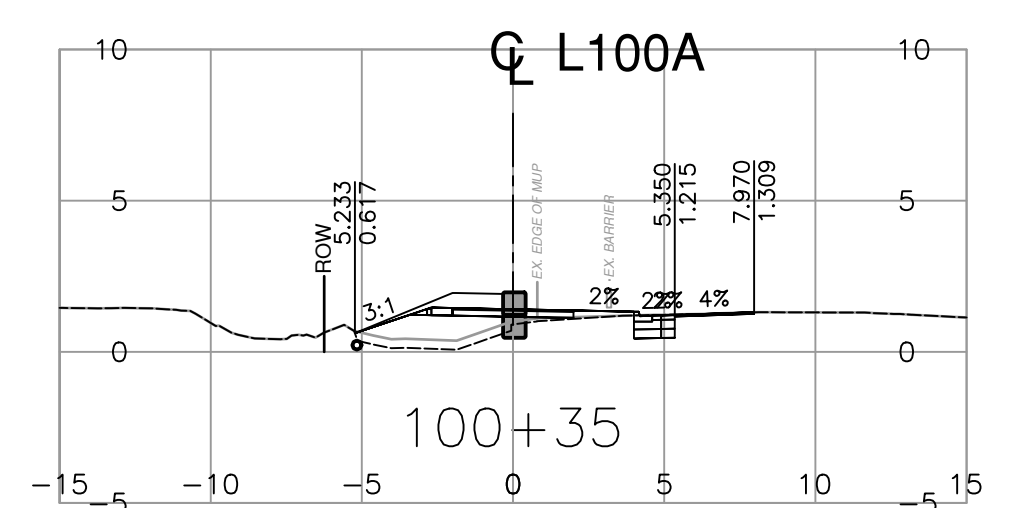
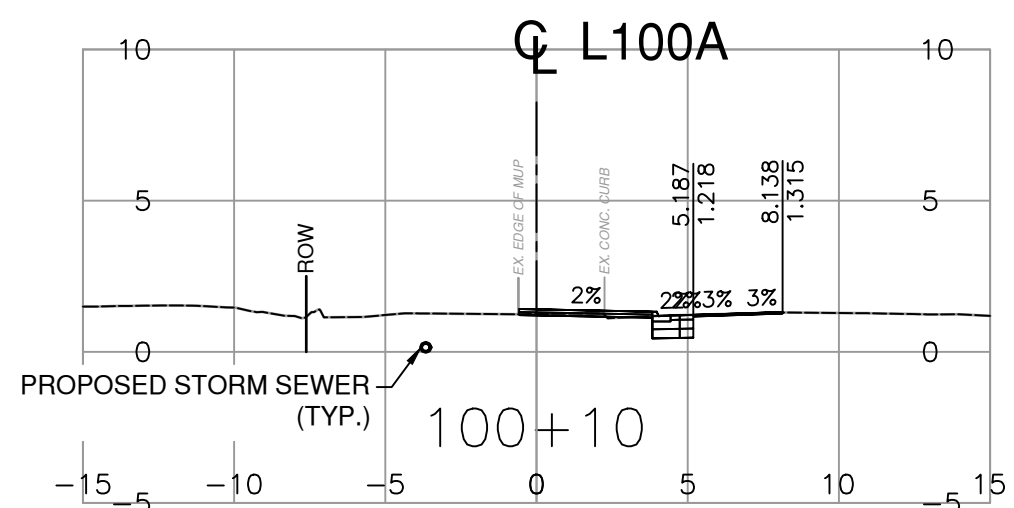
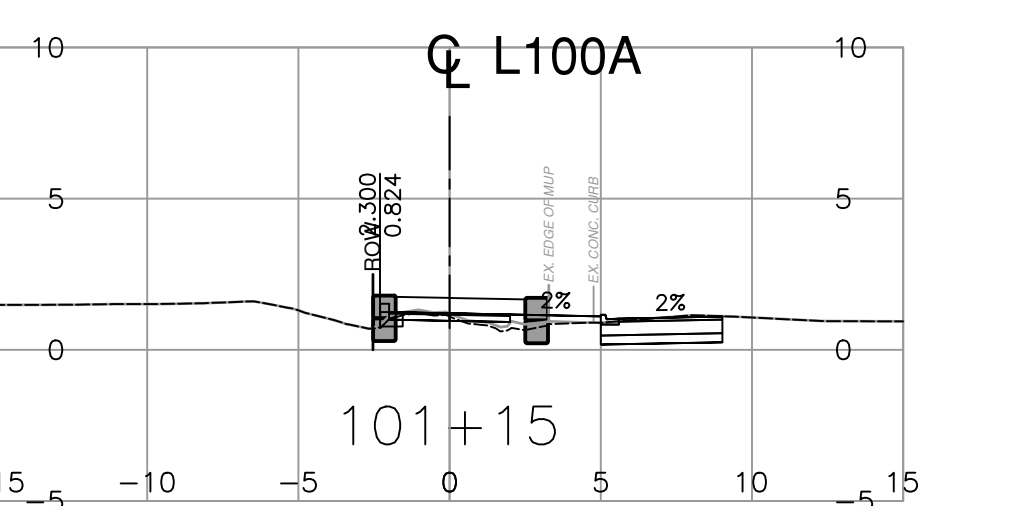
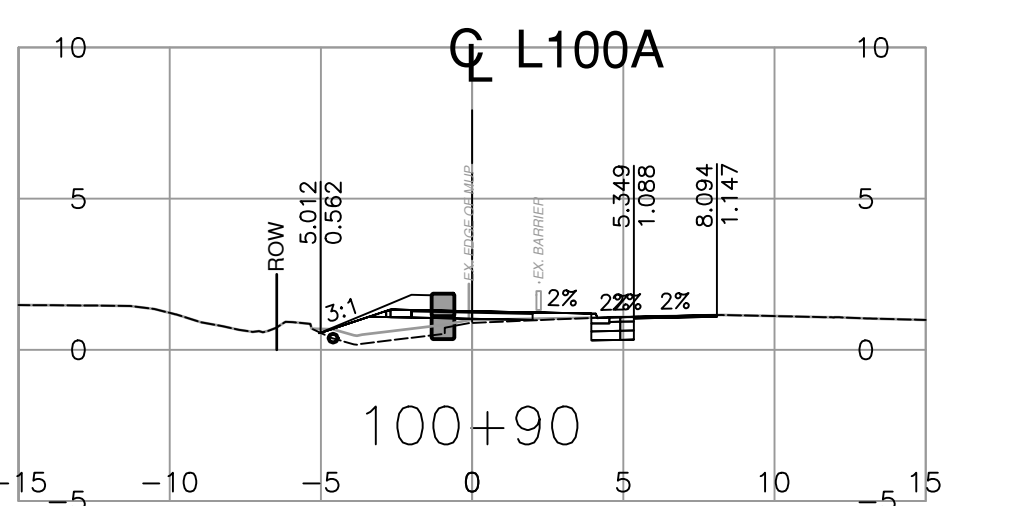
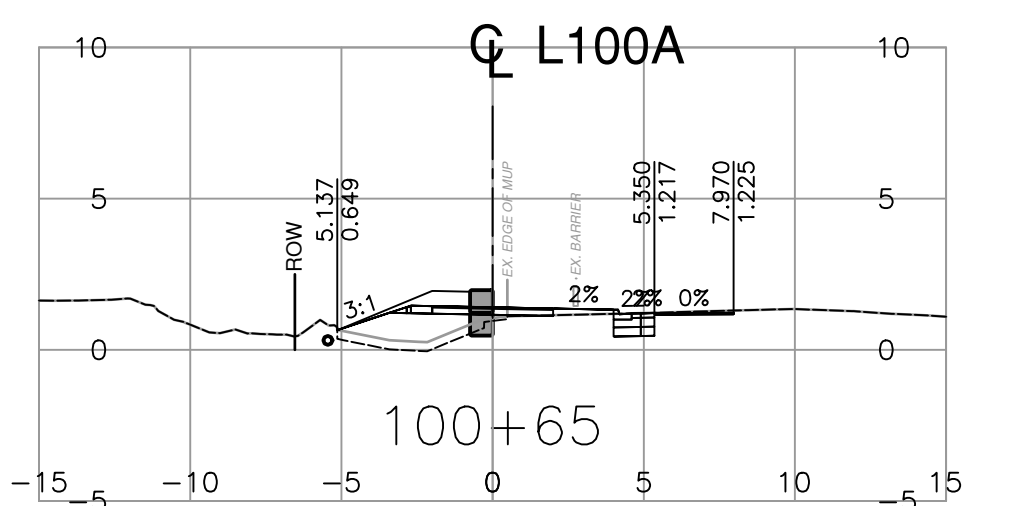
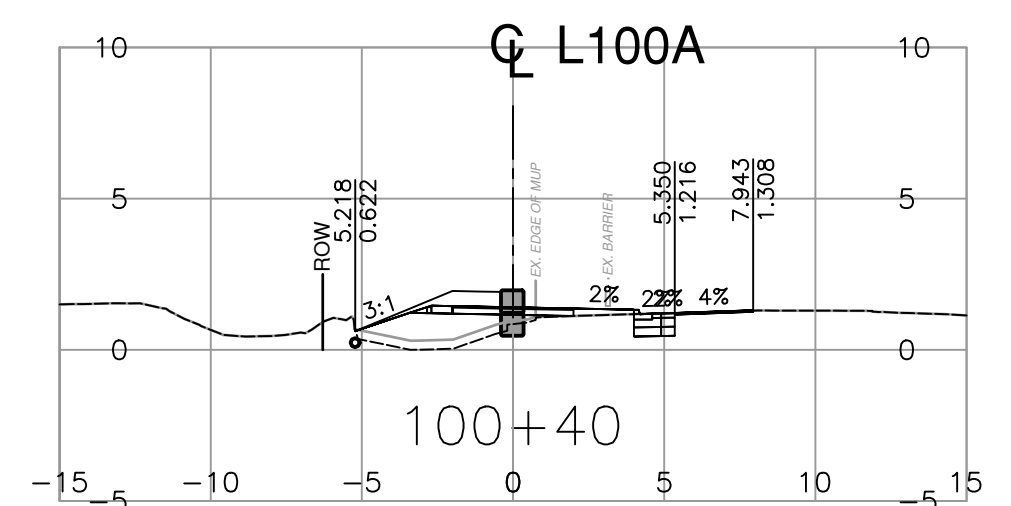
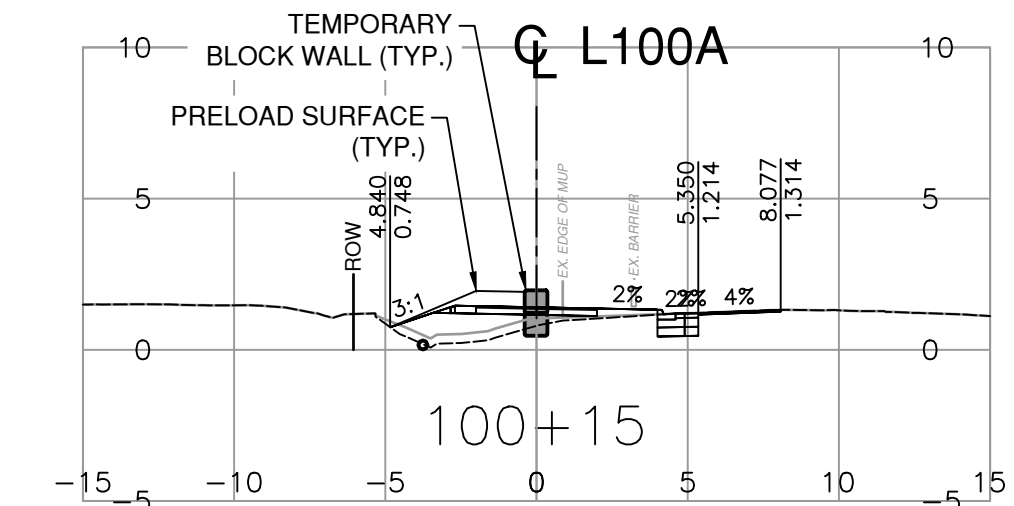
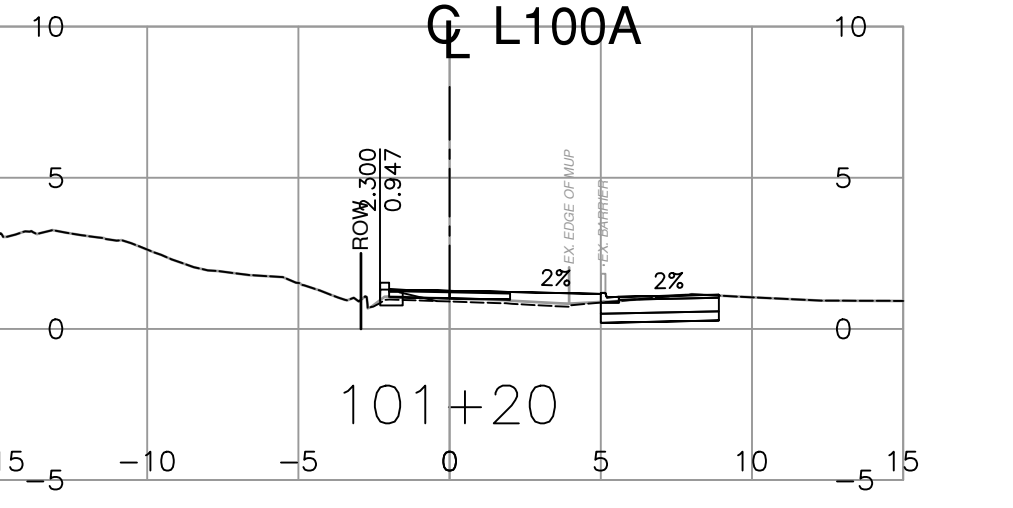
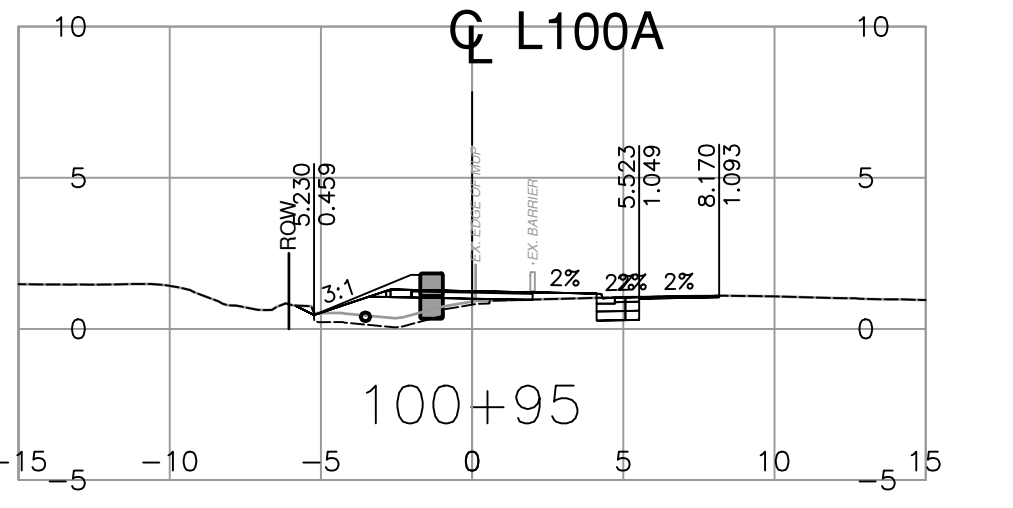
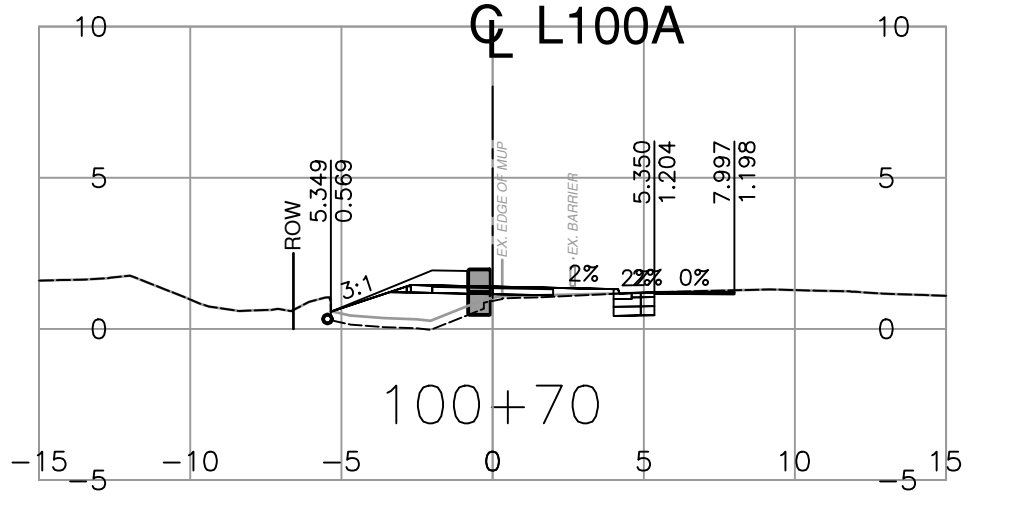
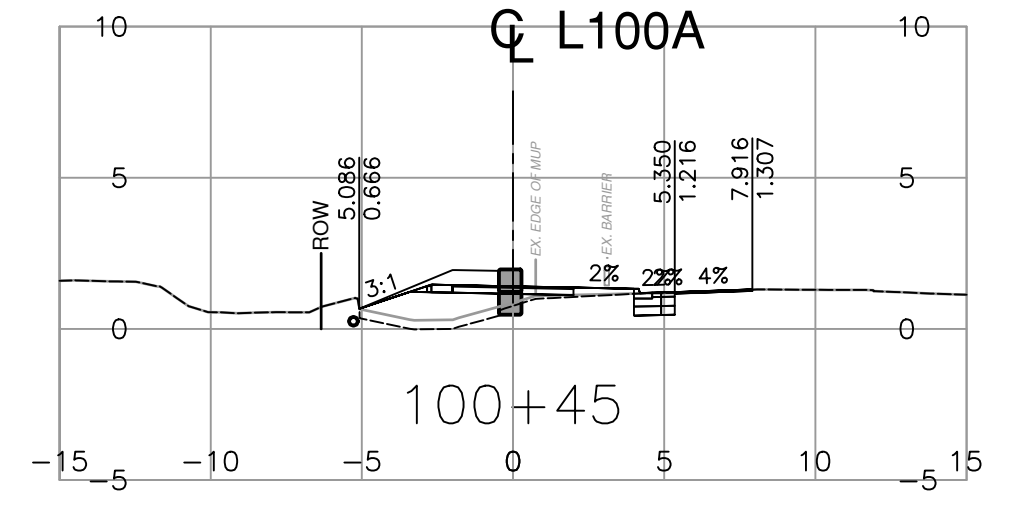
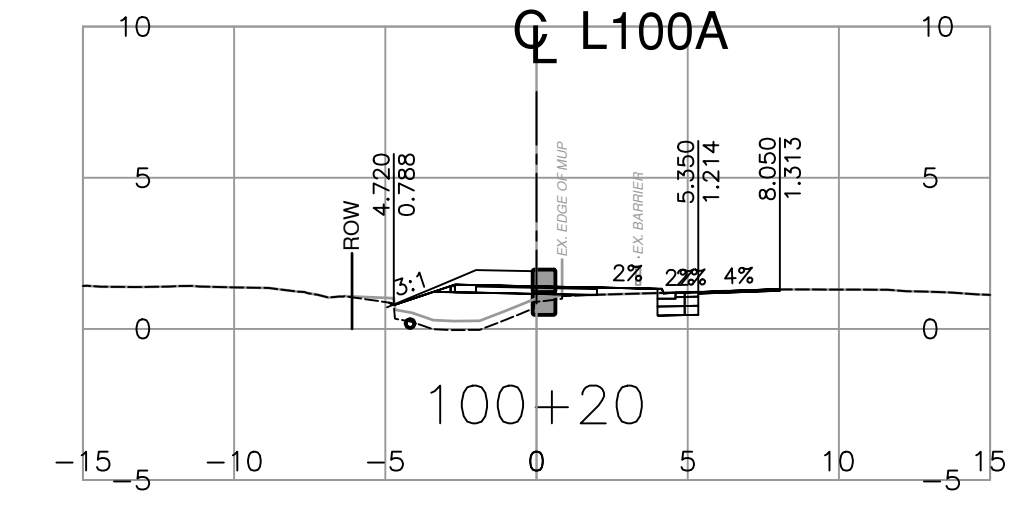


PLOT DATE: 2025/08/15 \\corp\TAL-col\2121\Projects\21210109206 McTI Hwy 91A Howes Street MUP - Detailed Design\07_DRAWINGS\04_Models\HowesStreetMUP\DrawingProduction\1000_DesignSections\R1-1174-1000.dwg



THIS DRAWING AND DESIGN IS THE PROPERTY OF MCELHANEY AND SHALL NOT BE USED, REUSED OR REPRODUCED WITHOUT THE CONSENT OF MCELHANEY. MCELHANEY WILL NOT BE HELD RESPONSIBLE FOR THE IMPROPER OR UNAUTHORIZED USE OF THIS DRAWING AND DESIGN.

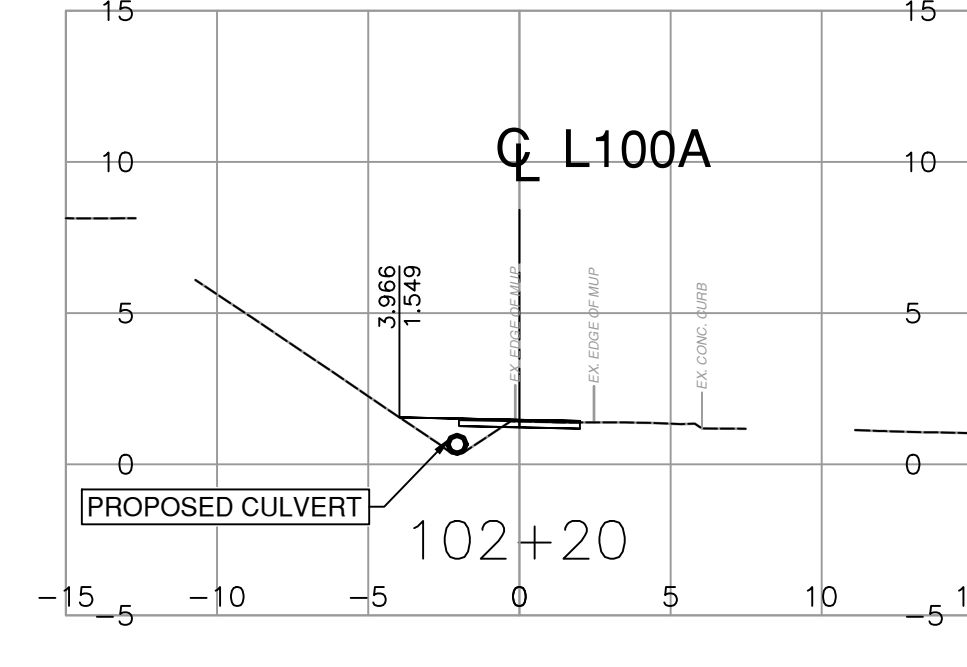
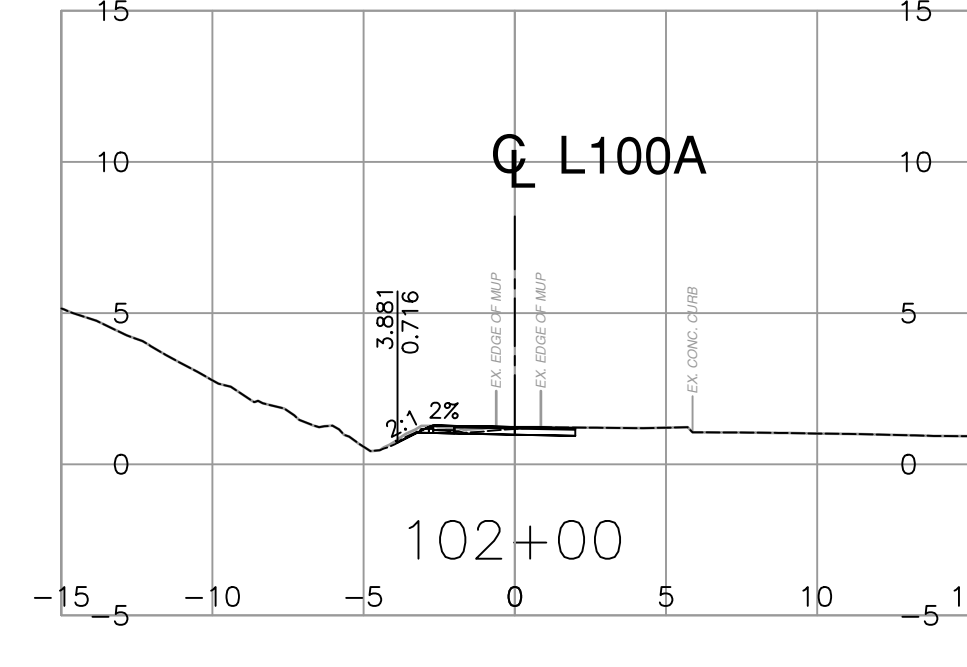
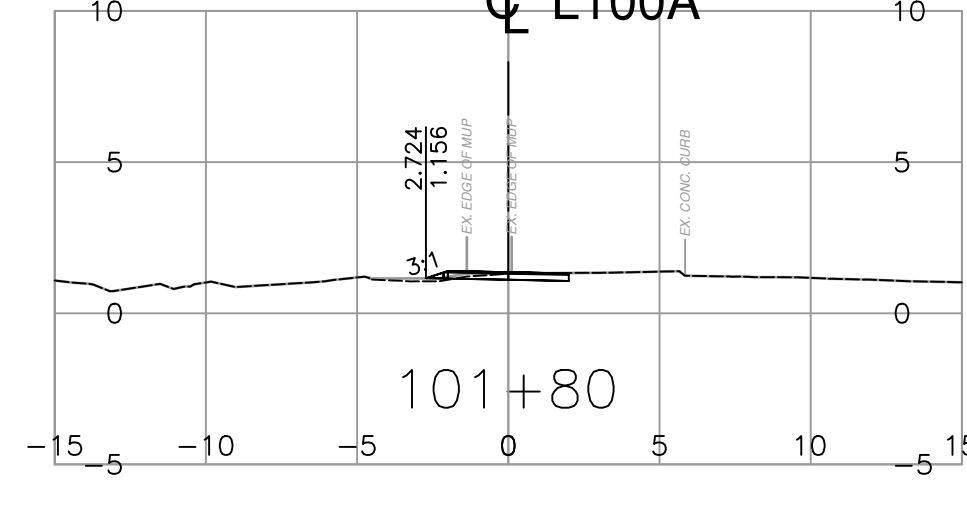
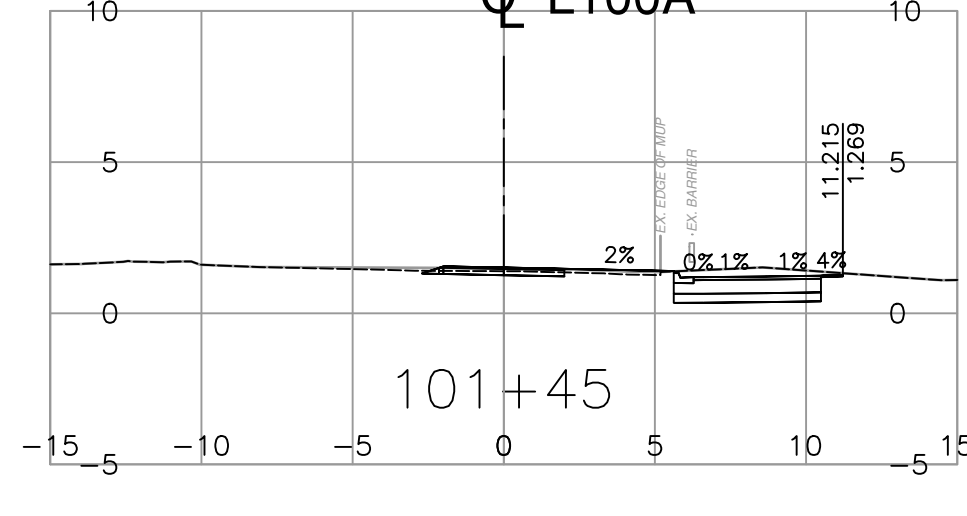
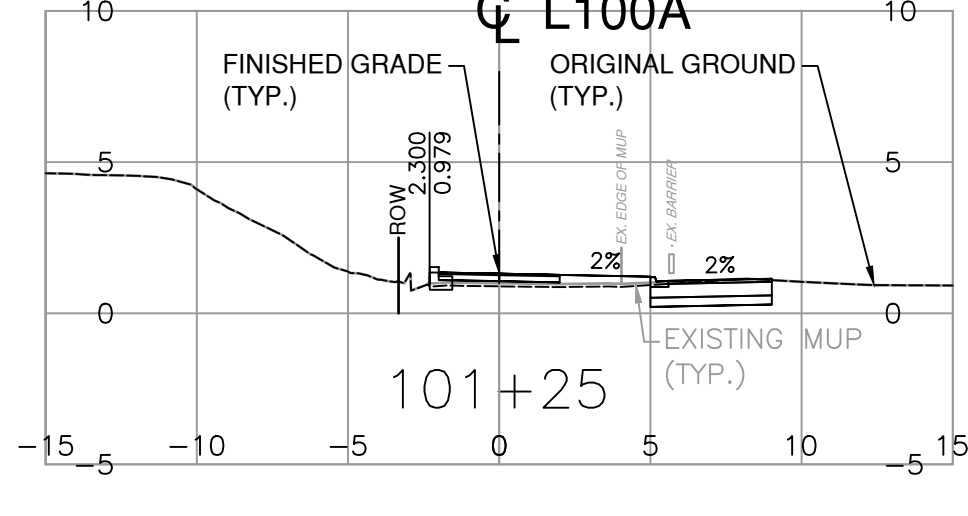
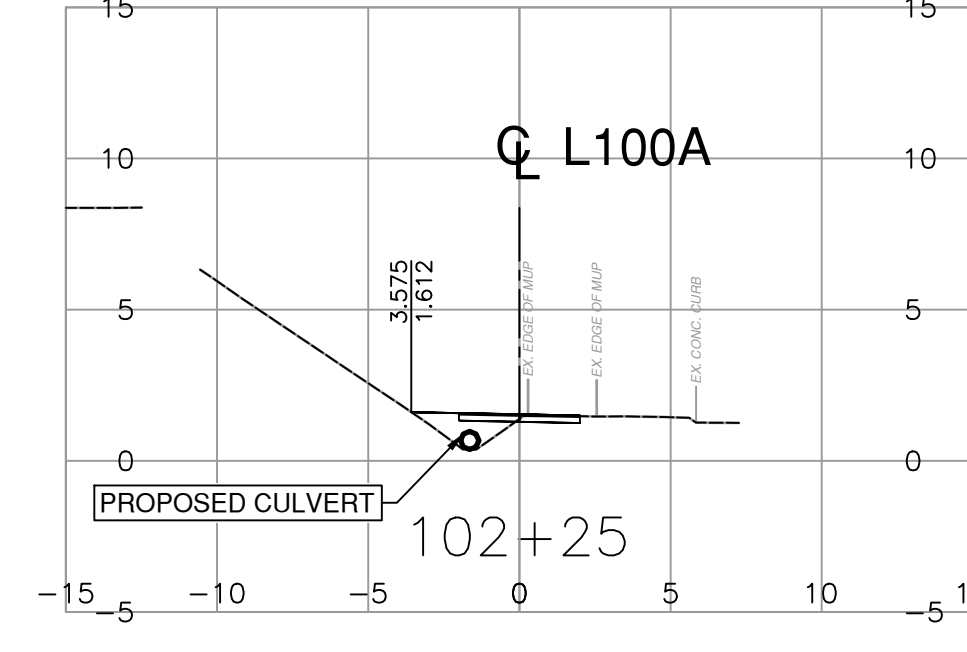
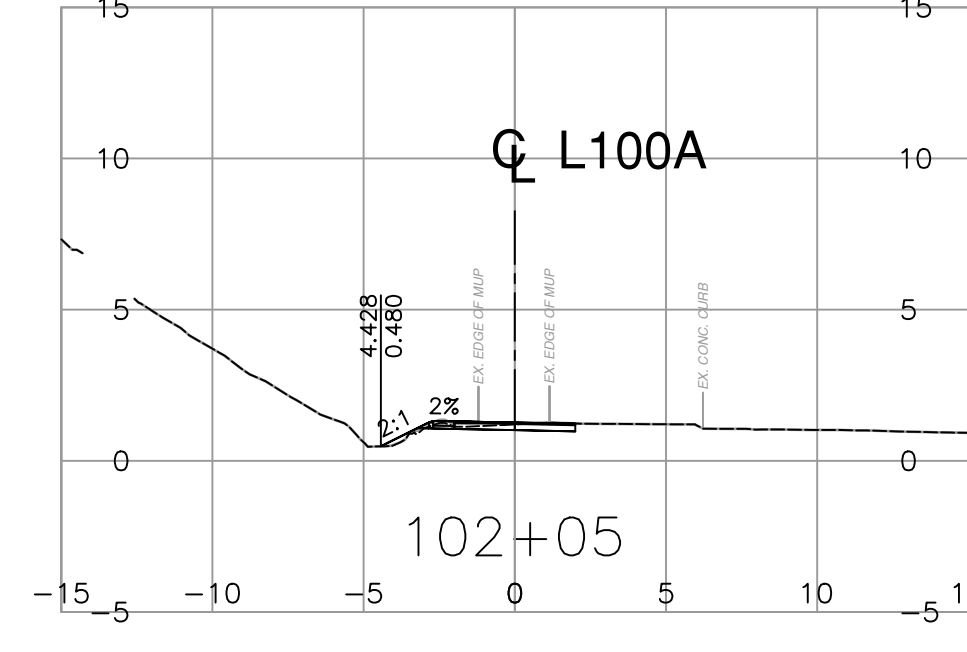
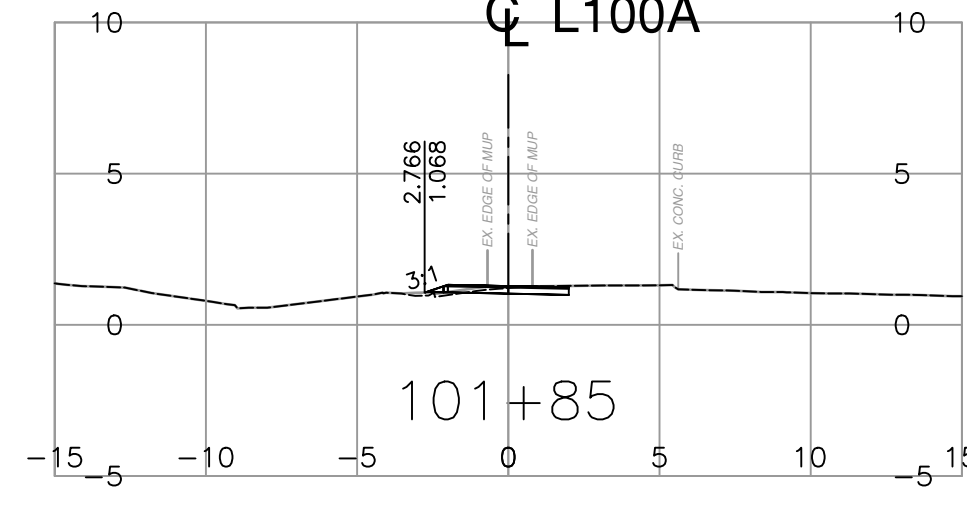
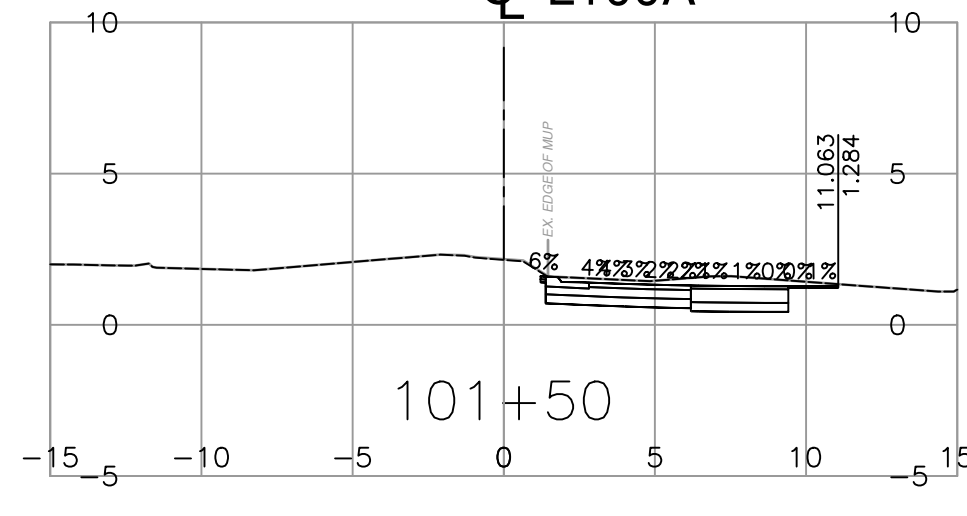
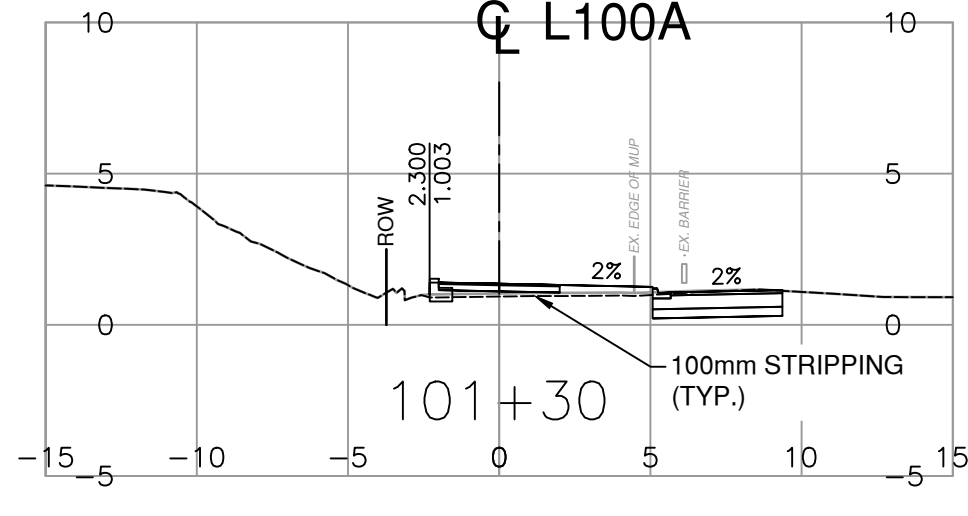
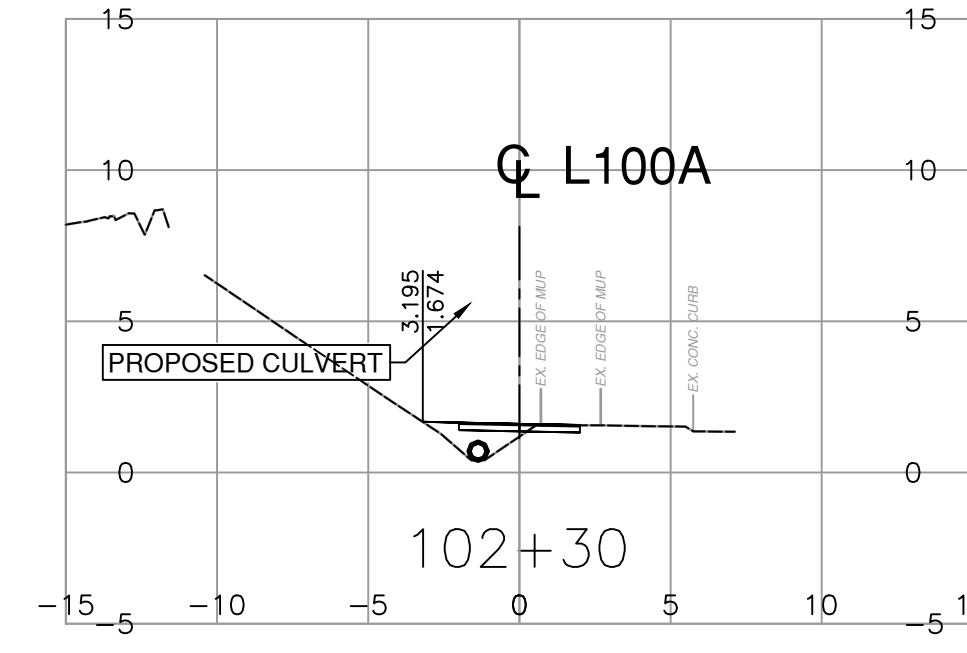
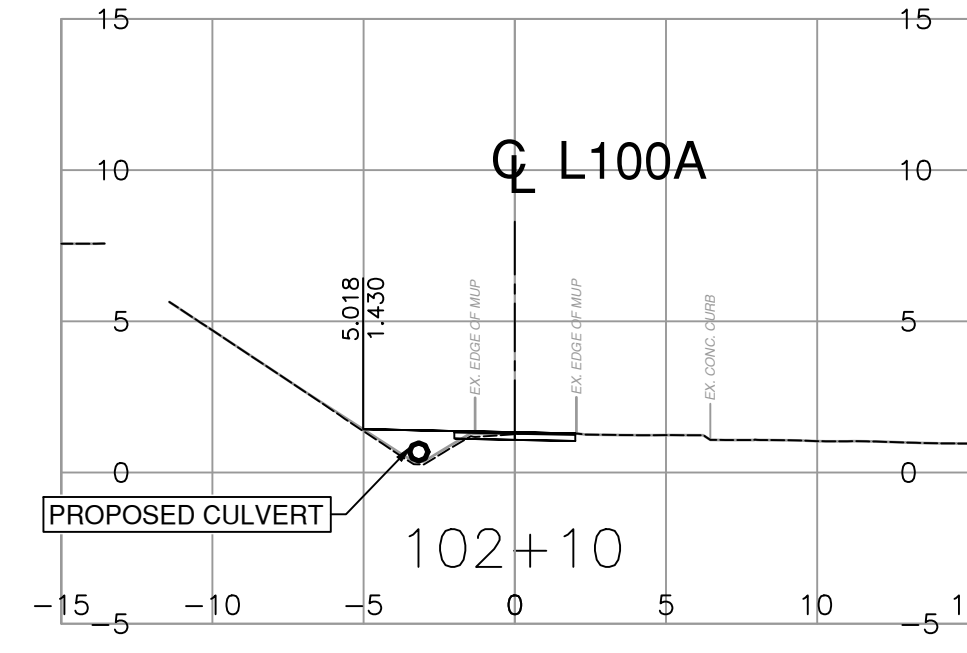
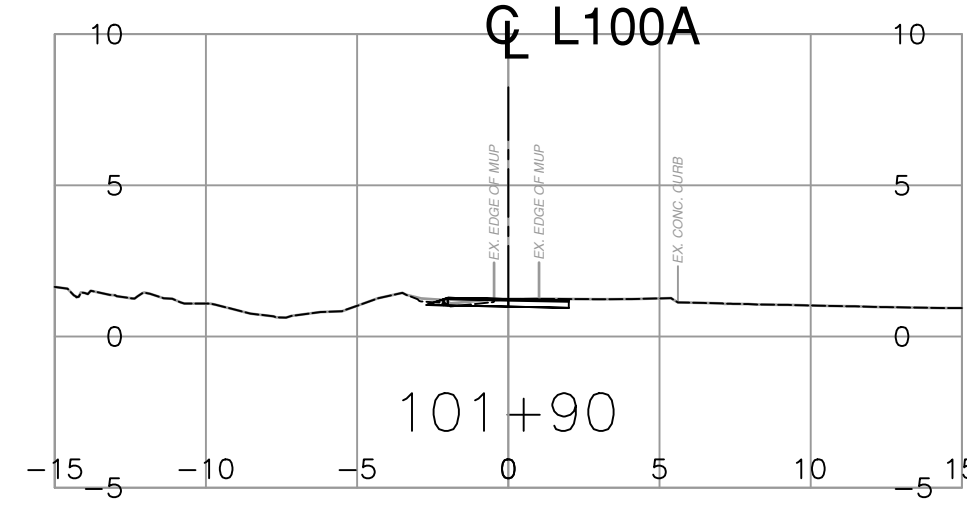
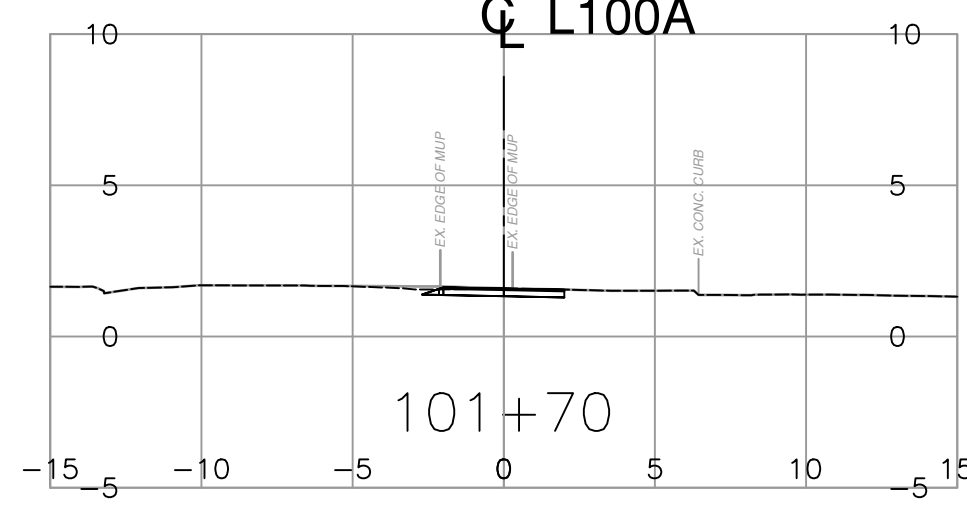
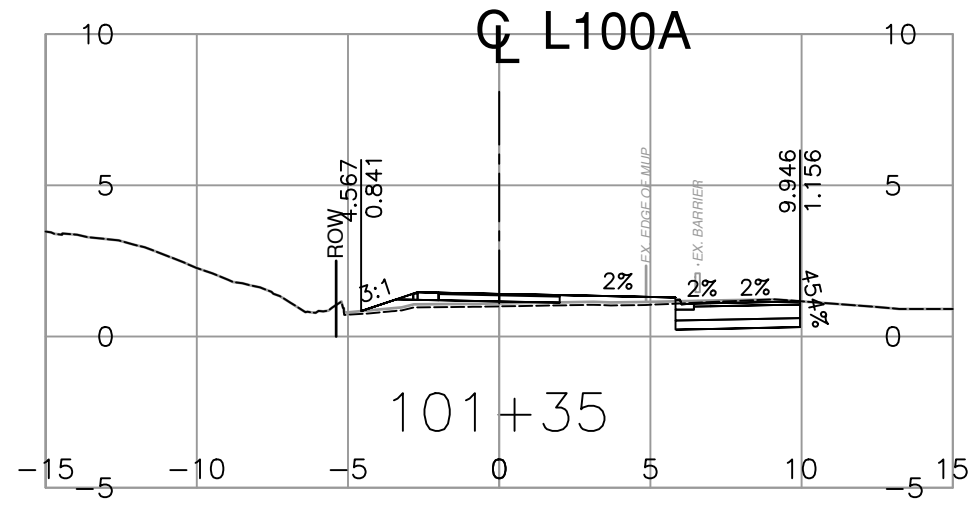
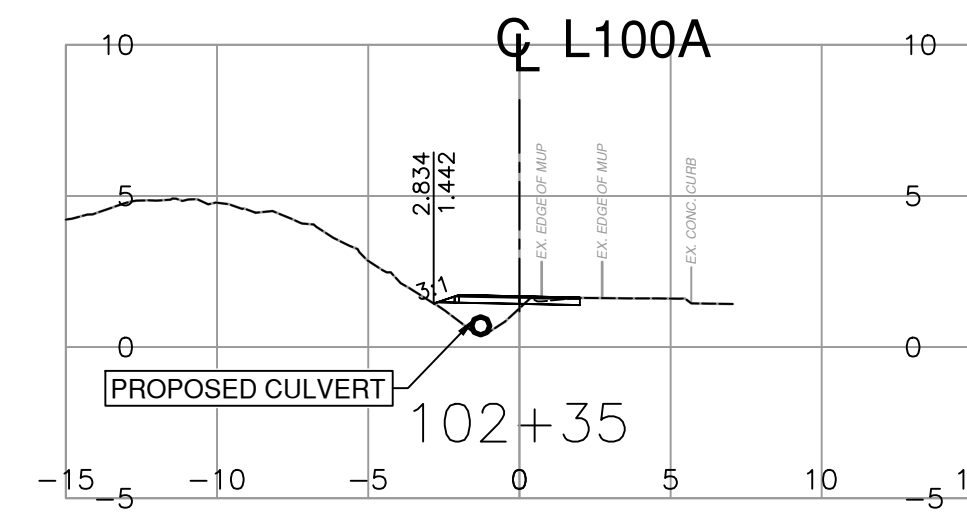
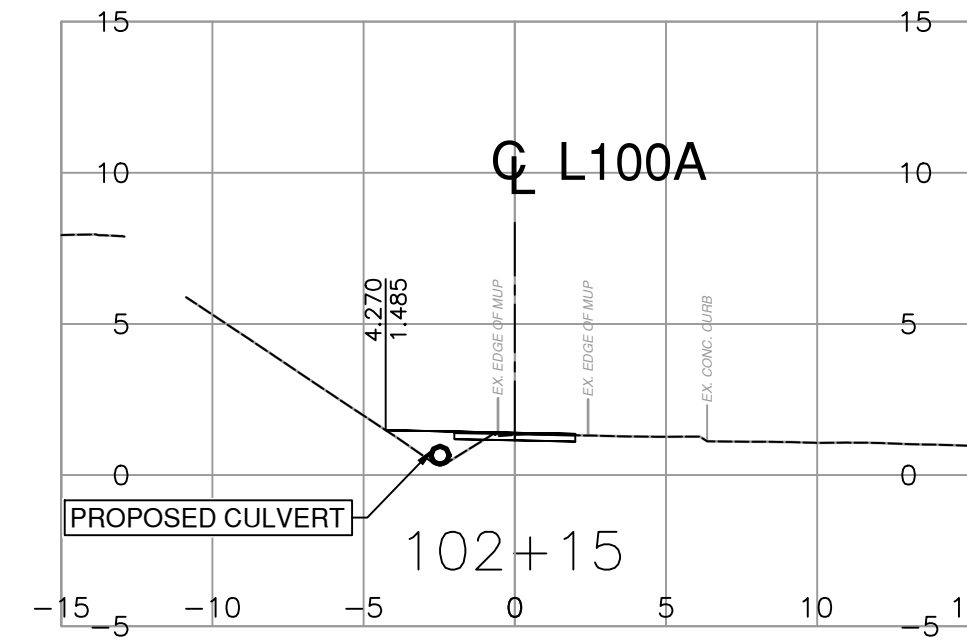
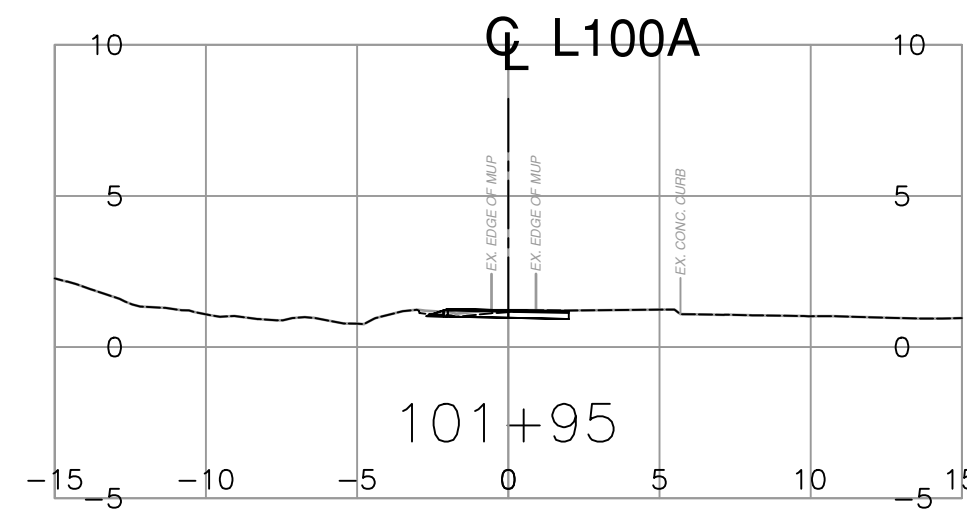
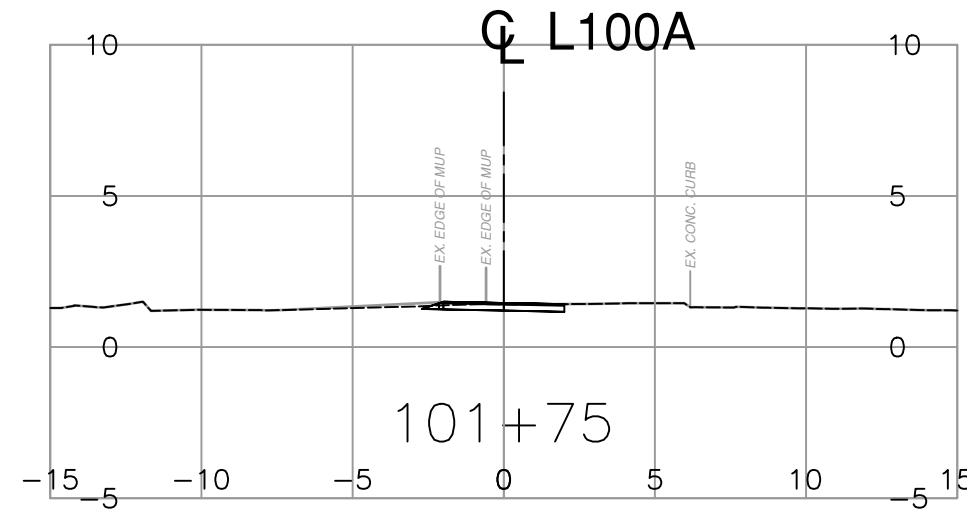
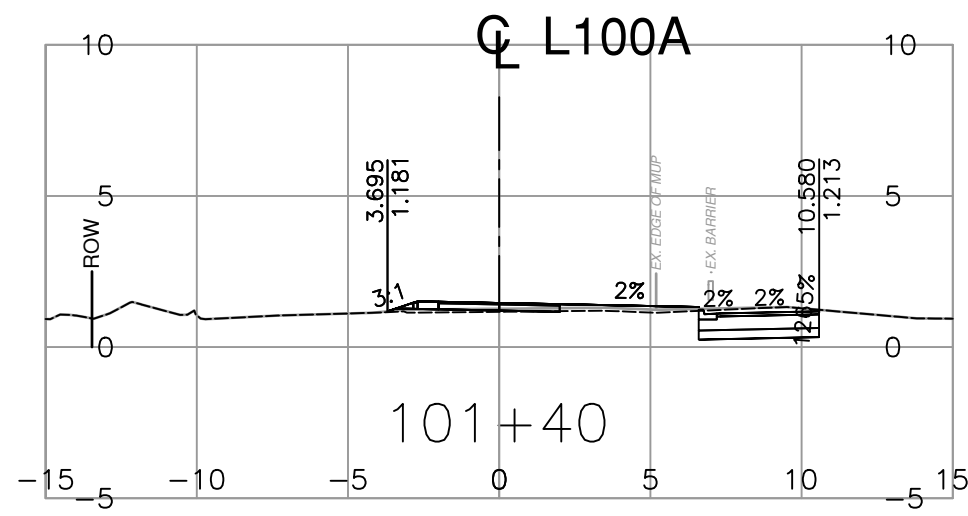
THIS DRAWING AND DESIGN HAS BEEN PREPARED FOR THE CLIENT IDENTIFIED, TO MEET THE STANDARDS AND REQUIREMENTS OF THE APPLICABLE PUBLIC AGENCIES AT THE TIME OF PREPARATION. MCELHANEY, ITS EMPLOYEES, SUBCONSULTANTS AND AGENTS, WILL NOT BE LIABLE FOR ANY LOSSES OR OTHER CONSEQUENCES RESULTING FROM THE USE OR RELIANCE UPON, OR ANY CHANGES MADE TO, THIS DRAWING BY ANY THIRD PARTY, INCLUDING CONTRACTORS, SUPPLIERS, CONSULTANTS AND STAKEHOLDERS, OR THEIR EMPLOYEES OR AGENTS, WITHOUT MCELHANEY'S PRIOR WRITTEN CONSENT.

INFORMATION ON EXISTING UNDERGROUND FACILITIES MAY NOT BE COMPLETE OR ACCURATE. MCELHANEY, ITS EMPLOYEES AND DIRECTORS ARE NOT RESPONSIBLE NOR LIABLE FOR THE LOCATION OF ANY UNDERGROUND CONDUITS, PIPES, CABLES OR OTHER FACILITIES WHETHER SHOWN OR OMITTED FROM THIS PLAN. PRIOR TO CONSTRUCTION CONTRACTOR SHALL EXPOSE LOCATIONS OF ALL EXISTING FACILITIES BY HAND DIGGING OR HYDROVAC AND ADVISE THE ENGINEER OF POTENTIAL CONFLICTS.

FOR REFERENCE ONLY

		Suite 200 858 Beatty Street Vancouver BC Canada V6B 1C1 Tel 604 683 8521				MINISTRY OF TRANSPORTATION AND INFRASTRUCTURE SOUTH COAST REGION HIGHWAY ENGINEERING AND GEOMATICS	
SCALE		CAD FILENAME: R1-1174-1000		FILE NUMBER: 2121-01092-08		CROSS SECTIONS HIGHWAY 91A & HOWES STREET MULTI-USE PATHWAY	
		PLOT DATE: 8/15/2025					
REV	DATE	REVISIONS		NAME			
		DESIGNED: C. PALLIN / J. JAVIER DATE: 2025-08-22		QUALITY CONTROL: A. PAN DATE: 2025-08-22		QUALITY ASSURANCE: J. PINTO DATE: 2025-08-22	
		DRAWN: G. HAROON DATE: 2025-08-22		PROJECT NUMBER: 13314-0000		DRAWING NUMBER: R1-1174-1001	

PLOT DATE: 2025/08/15 \\corp\TAL-col\2121\Projects\21210109206 McTI Hwy 91A Howes Street MUP - Detailed Design\07_DRAWINGS\04_Models\HowesStMUP\DrawingProduction\1000_DesignSections\R1-1174-1000.dwg



THIS DRAWING AND DESIGN IS THE PROPERTY OF McELHANNY AND SHALL NOT BE USED, REUSED OR REPRODUCED WITHOUT THE CONSENT OF McELHANNY. McELHANNY WILL NOT BE HELD RESPONSIBLE FOR THE IMPROPER OR UNAUTHORIZED USE OF THIS DRAWING AND DESIGN.

THIS DRAWING AND DESIGN HAS BEEN PREPARED FOR THE CLIENT IDENTIFIED, TO MEET THE STANDARDS AND REQUIREMENTS OF THE APPLICABLE PUBLIC AGENCIES AT THE TIME OF PREPARATION. McELHANNY, ITS EMPLOYEES, SUBCONSULTANTS AND AGENTS, WILL NOT BE LIABLE FOR ANY LOSSES OR OTHER CONSEQUENCES RESULTING FROM THE USE OR RELIANCE UPON, OR ANY CHANGES MADE TO, THIS DRAWING BY ANY THIRD PARTY, INCLUDING CONTRACTORS, SUPPLIERS, CONSULTANTS AND STAKEHOLDERS, OR THEIR EMPLOYEES OR AGENTS, WITHOUT McELHANNY'S PRIOR WRITTEN CONSENT.

INFORMATION ON EXISTING UNDERGROUND FACILITIES MAY NOT BE COMPLETE OR ACCURATE. McELHANNY, ITS EMPLOYEES AND DIRECTORS ARE NOT RESPONSIBLE NOR LIABLE FOR THE LOCATION OF ANY UNDERGROUND CONDUITS, PIPES, CABLES OR OTHER FACILITIES WHETHER SHOWN OR OMITTED FROM THIS PLAN. PRIOR TO CONSTRUCTION CONTRACTOR SHALL EXPOSE LOCATIONS OF ALL EXISTING FACILITIES BY HAND DIGGING OR HYDROVAC AND ADVISE THE ENGINEER OF POTENTIAL CONFLICTS.

FOR REFERENCE ONLY

McElhanney

Suite 200
858 Beatty Street
Vancouver BC
Canada V6B 1C1
Tel 604 683 8521

BRITISH COLUMBIA

MINISTRY OF TRANSPORTATION AND INFRASTRUCTURE
SOUTH COAST REGION
HIGHWAY ENGINEERING AND GEOMATICS

SCALE

CAD FILENAME: R1-1174-1000
FILE NUMBER: 2121-01092-08
PLOT DATE: 8/15/2025

REV	DATE	REVISIONS	NAME

CROSS SECTIONS

HIGHWAY 91A & HOWES STREET

MULTI-USE PATHWAY

DESIGNED	C. PALLIN / J. JAVIER	DATE	2025-08-22
QUALITY CONTROL	A. PAN	DATE	2025-08-22
QUALITY ASSURANCE	J. PINTO	DATE	2025-08-22
DRAWN	G. HAROON	DATE	2025-08-22
PROJECT NUMBER	13314-0000	REV	R1
DRAWING NUMBER	R1-1174-1002	REV	

