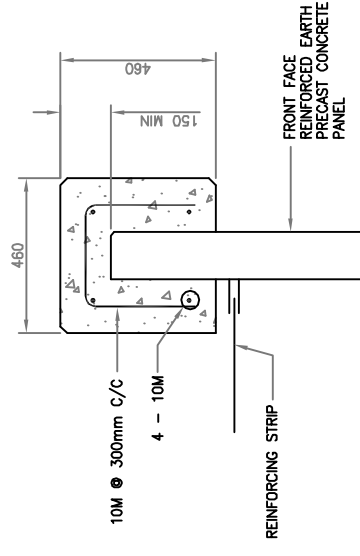


PLAN - SOUTH ABUTMENT
1:100

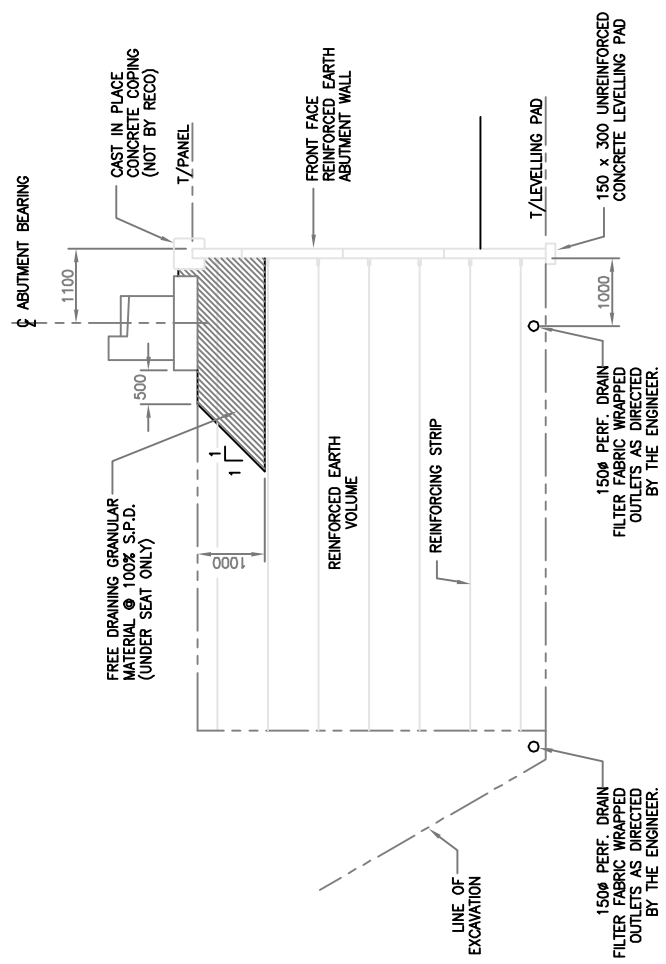
PLAN - NORTH ABUTMENT
1:100



CAST IN PLACE COPING DETAIL
1:50

NOTE:
ALL WPs ARE TO THE
FRONT FACE OF PANELS.
(SEE OWNER DRAWINGS.)

JOINTS IN COPING ARE TO LINE UP WITH PANEL JOINTS.
FILTER FABRIC TO BE CONTINUED OVER TOP OF PANEL
AND DOWN FRONT FACE AT ALL CONSTRUCTION JOINTS IN COPING.
CONSTRUCTION JOINT SPACING TO BE 3000mm



TYPICAL SECTION
1:50

NOTES:

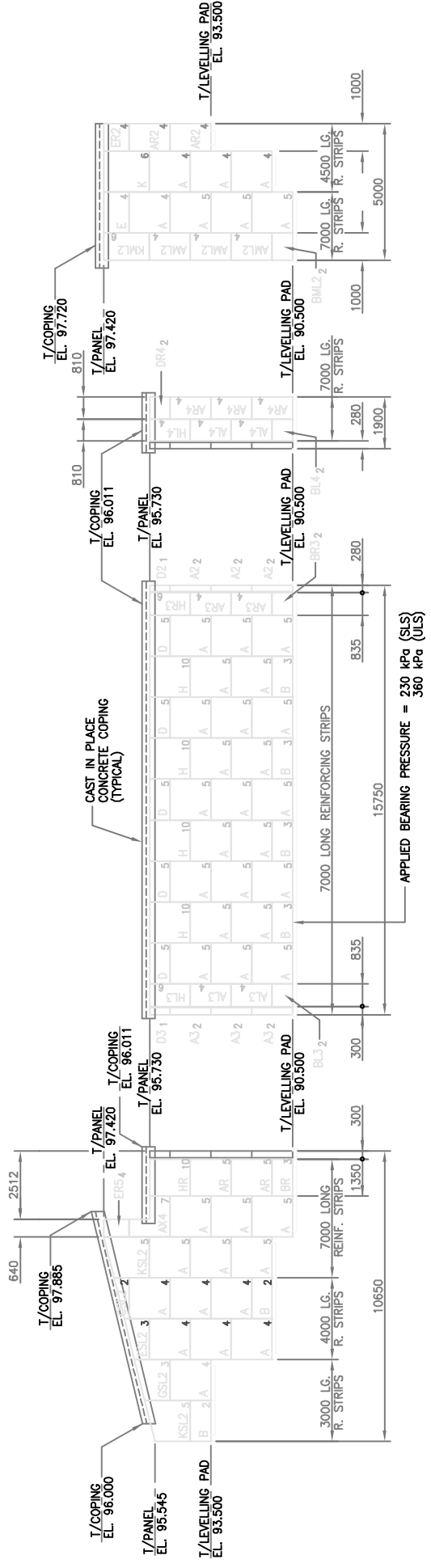
1. ALL DIMENSIONS ARE IN MILLIMETRES; ELEVATIONS ARE IN METRES.
2. ITEMS SUPPLIED BY 'REINFORCED EARTH COMPANY LTD.':
 - i) PRECAST CONCRETE PANELS AND ALL EMBEDDED HARDWARE.
 - ii) GALVANIZED REINFORCING STRIPS AND BOLTS.
 - iii) FILTER FABRIC AND RUBBER PADS.
 - iv) PRECAST CORNER ELEMENTS.
3. DESIGN PARAMETERS:
 - i) DESIGN CODE: 1996/ASHTO 96
 - ii) SURCHARGE: 17.5 kPa
 - iii) BACKFILL: $\phi(\text{re}) = 36^\circ$, $\text{GAMMA}(\text{re}) = 21 \text{ kN/m}^3$
 $\phi(\text{random}) = 30^\circ$, $\text{GAMMA}(\text{random}) = 20 \text{ kN/m}^3$
 $\phi(\text{foundation}) = 30^\circ$.
 - iv) DESIGN LOADS: (UNFACTORED AT POINT OF GIRDER BEARING)
 VERTICAL LIVE LOAD: 187 kN/m
 HORIZONTAL LIVE LOAD: 97 kN/m
 HORIZONTAL BRAKING: 9 kN/m
 TRANSVERSE SEISMIC: 27 kN/m
 LONGITUDINAL SEISMIC: 69 kN/m
 SERVICE LIFE: 100 YEARS ($e_s = 2.0$)
 - v) SEISMIC: $a/g = 0.2$
4. THE APPLIED BEARING PRESSURE UNDER THE R/E VOLUME IS SHOWN ON THE ELEVATIONS. THE SUITABILITY OF THE FOUNDATION TO CARRY THIS LOAD AND THE OVERALL GLOBAL STABILITY SHALL BE REVIEWED BY THE GEOTECHNICAL ENGINEER.
5. ARCHITECTURAL FINISH: GRAVE

This drawing contains information proprietary to Reinforced Earth Company Ltd. and is furnished exclusively in connection with this project. Except as specifically authorized in writing by Reinforced Earth Company Ltd., possession of this drawing does not authorize use of its contents for other than the express purpose for which it has been provided nor transmission of this drawing or its contents to third parties.

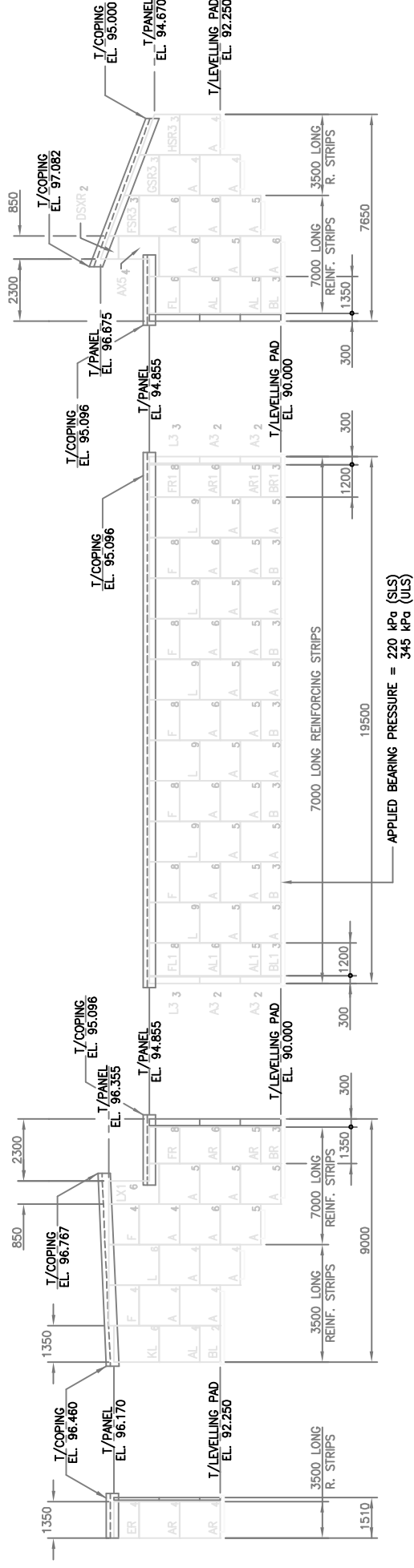


Reinforced Earth Company Ltd.
1550 Enterprise Road, Suite 229
Mississauga, Ontario
L4W 4P4
Tel: (905) 564-0896
Fax: (905) 564-2609

Project:		MT. LEHMAN UNDERPASS	
Title:		REINFORCED EARTH ABUTMENT WALLS PLAN, SECTION AND DETAILS	
Drawn: DC	Checked:	Approved:	Scale: AS SHOWN
Date: NOV'04	Date:	Date:	Project No: 2872
			Drawing No: 2872-1
			Rev: 4



FRONT FACE ELEVATION — NORTH ABUTMENT
1:100



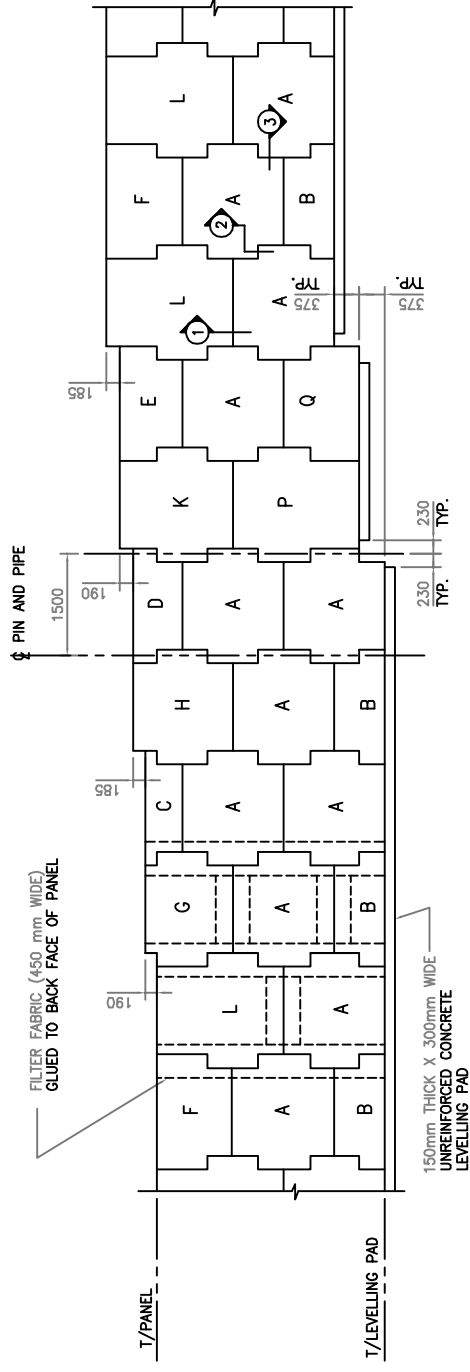
FRONT FACE ELEVATION — SOUTH ABUTMENT
1:100

This drawing contains information proprietary to Reinforced Earth Company Ltd. and is furnished exclusively in connection with this project. Except as specifically authorized in writing by Reinforced Earth Company Ltd., possession of this drawing does not authorize use of its contents for other than the express purpose for which it has been provided nor transmission of this drawing or its contents to third parties.

No.	Date	Issue or Revision
4	23DEC05	AS-BUILT
3	2FEB05	ISSUED FOR CONSTRUCTION
2	25JUN05	RE-ISSUED FOR APPROVAL
1	24DEC04	ISSUED FOR APPROVAL
0	16NOV04	ISSUED FOR TENDER

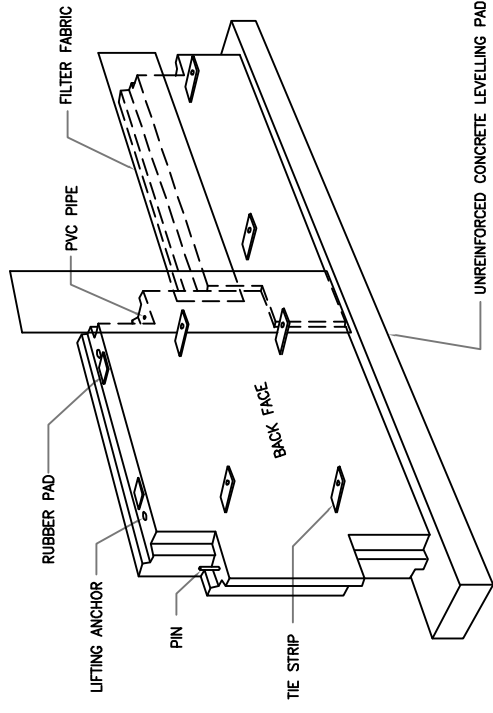
Reinforced Earth Company Ltd.
 1550 Enterprise Road, Suite 229
 Mississauga, Ontario
 L4W 4P4
 Tel: (905) 564-0896
 Fax: (905) 564-2609

Project: MT. LEHMAN UNDERPASS
 Title: REINFORCED EARTH ABUTMENT WALLS
 FRONT FACE ELEVATIONS
 Drawn: DC
 Checked: Approved:
 Date: NOV'04
 Scale: 1:100
 Project No: 2872
 Drawing No: 2872-2
 Rev: 4

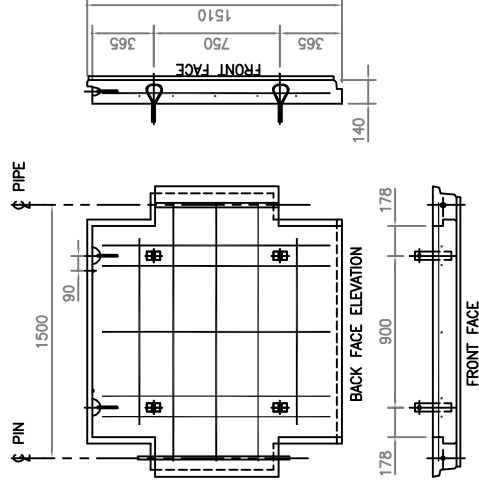


PANEL TYPE	A	B	C	D	E	F	G	H	K	L	P	Q
EFFECTIVE HEIGHT (mm)	1500	750	545	730	920	1105	1295	1480	1670	1855	1875	1125

TYPICAL FRONT FACE ELEVATION
NOT TO SCALE

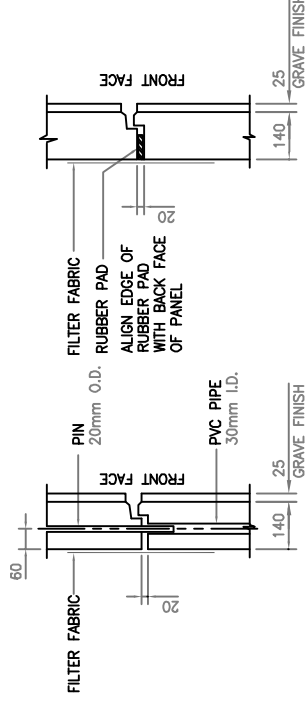


TYPICAL GENERAL ARRANGEMENT
NOT TO SCALE

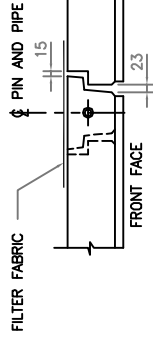


- NOTE: 1. CONCRETE COMPRESSIVE STRENGTH (f'_c) SHALL BE 30 MPa AT 28 DAYS.
 2. COVER TO REINFORCEMENT SHALL BE 40mm \pm 10 MIN.
 3. ALL REINFORCING BARS SHOWN ARE 10M. $f_y = 400$ MPa, CONFORMING TO CSA G30.18-MS2
 4. CLEARANCE BETWEEN REINFORCING BARS AND GALVANIZED TIE STRIPS SHALL BE 30mm MIN.
 5. ARCHITECTURAL FINISH: GRAVE

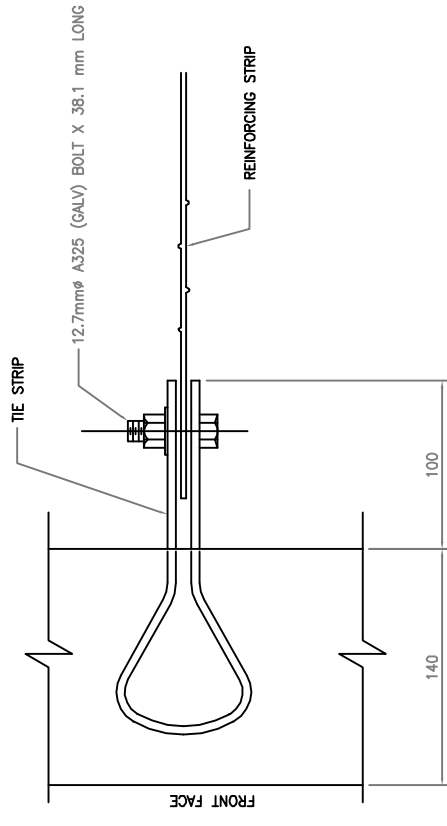
TYPICAL PANEL
NOT TO SCALE



SECTION 2



SECTION 3



TIE STRIP/REINFORCING STRIP CONNECTION DETAIL
NOT TO SCALE

This drawing contains information proprietary to Reinforced Earth Company Ltd. and is furnished exclusively in connection with this project. Except as specifically authorized in writing by Reinforced Earth Company Ltd., possession of this drawing does not authorize use of its contents for other than the express purpose for which it has been provided nor transmission of this drawing or its contents to third parties.

No.	Date	Issue or Revision
4	23DEC05	AS-BUILT
3	2FEB05	ISSUED FOR CONSTRUCTION
2	25JUN05	RE-ISSUED FOR APPROVAL
1	24DEC04	ISSUED FOR APPROVAL
0	16NOV04	ISSUED FOR TENDER

Reinforced Earth Company Ltd.
 1550 Enterprise Road, Suite 229
 Mississauga, Ontario
 L4W 4P4
 Tel: (905) 564-0896
 Fax: (905) 564-2609

Project: MT. LEHMAN UNDERPASS
 Title: REINFORCED EARTH ABUTMENT WALLS
 TYPICAL DETAILS

Drawn: DC
 Checked: AS SHOWN
 Approved: Project No: 2872
 Date: NOV'04
 Drawing No: 2872-3
 Rev: 4