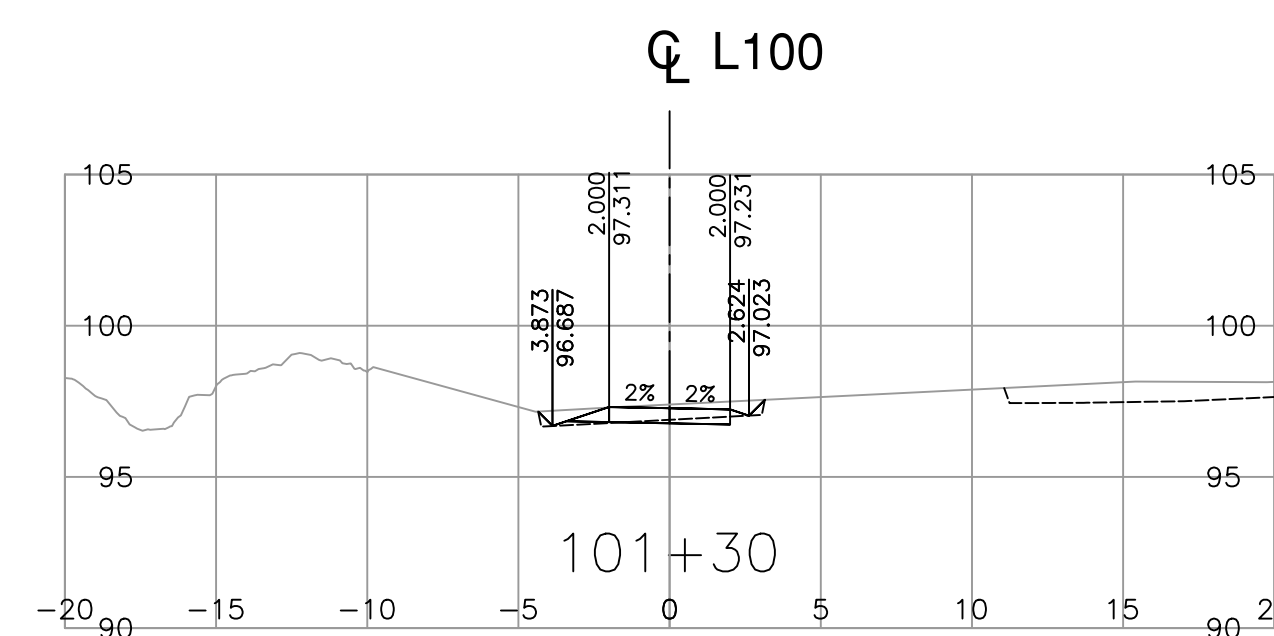
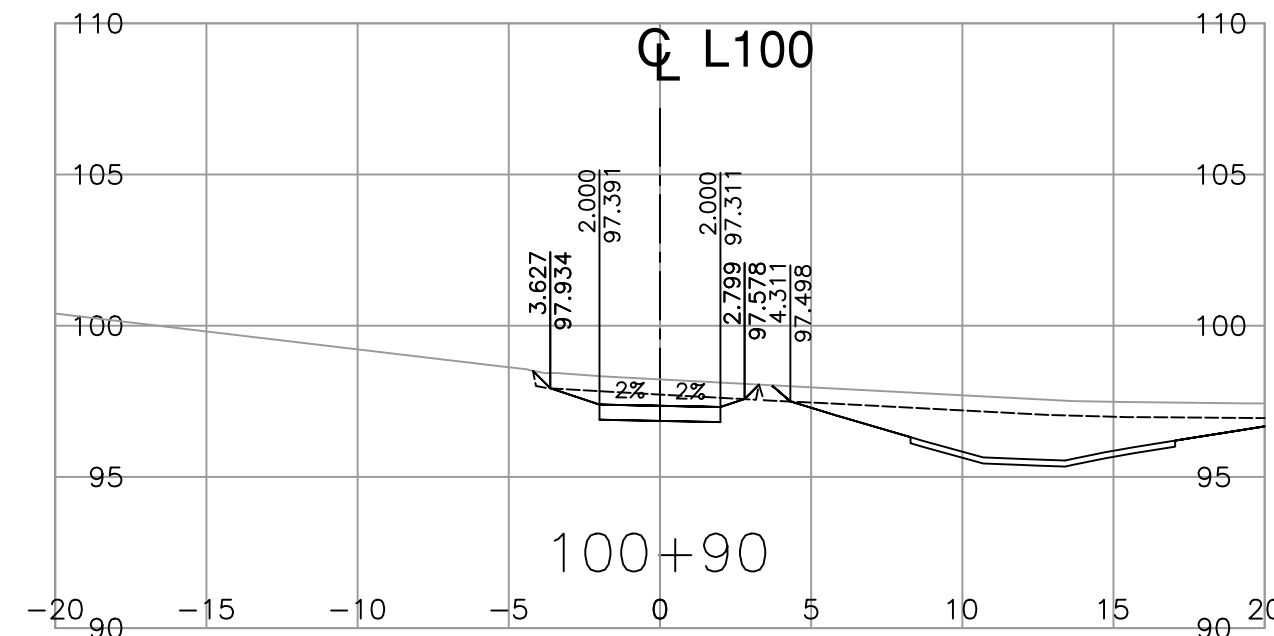
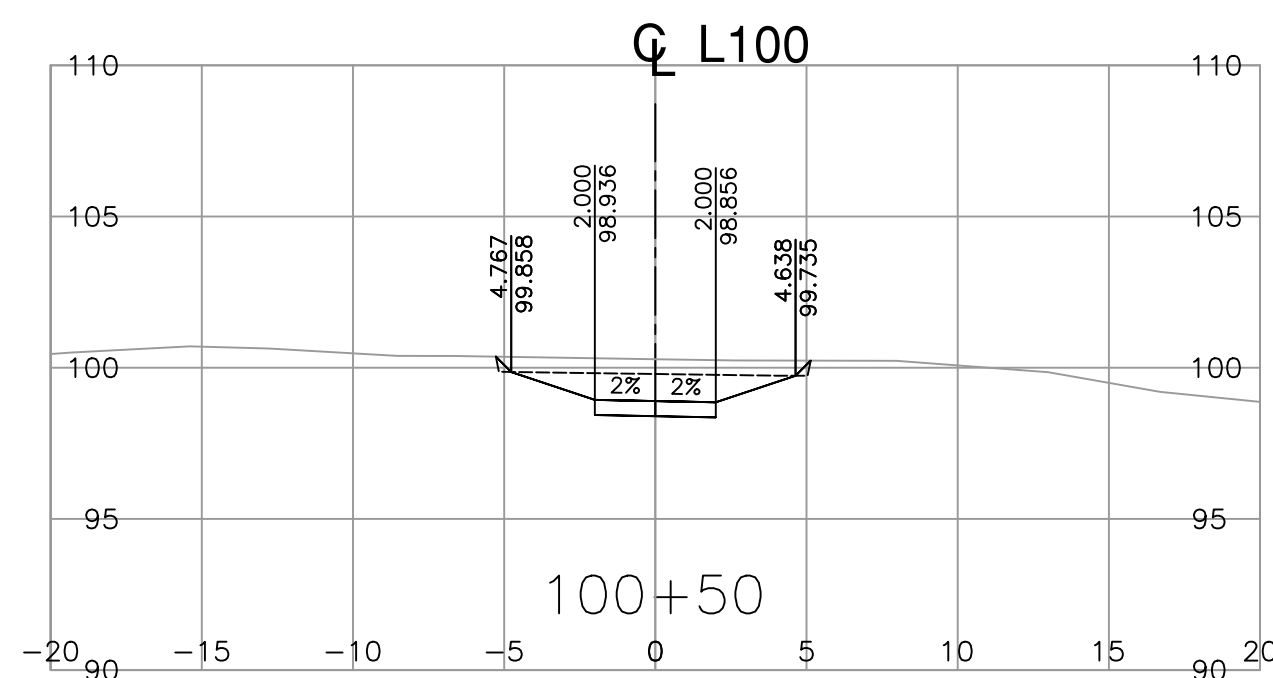
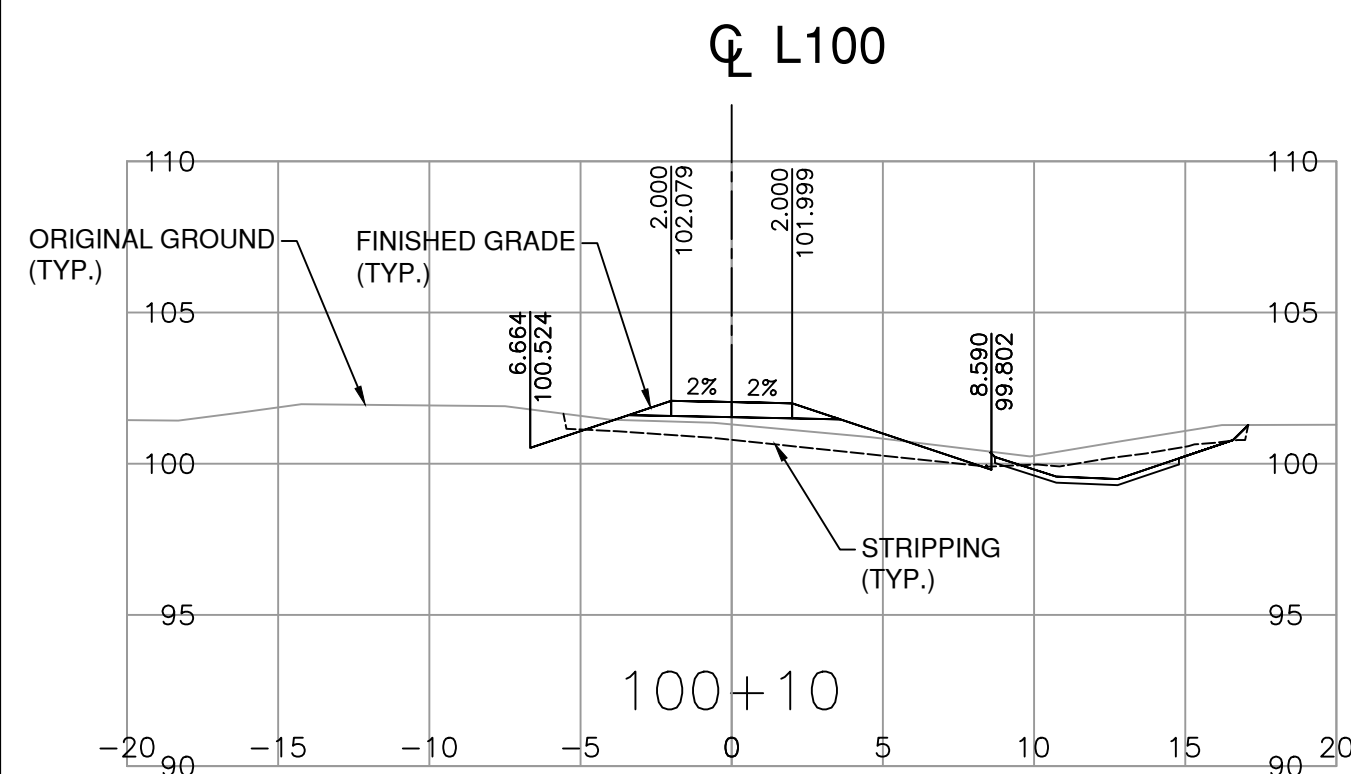
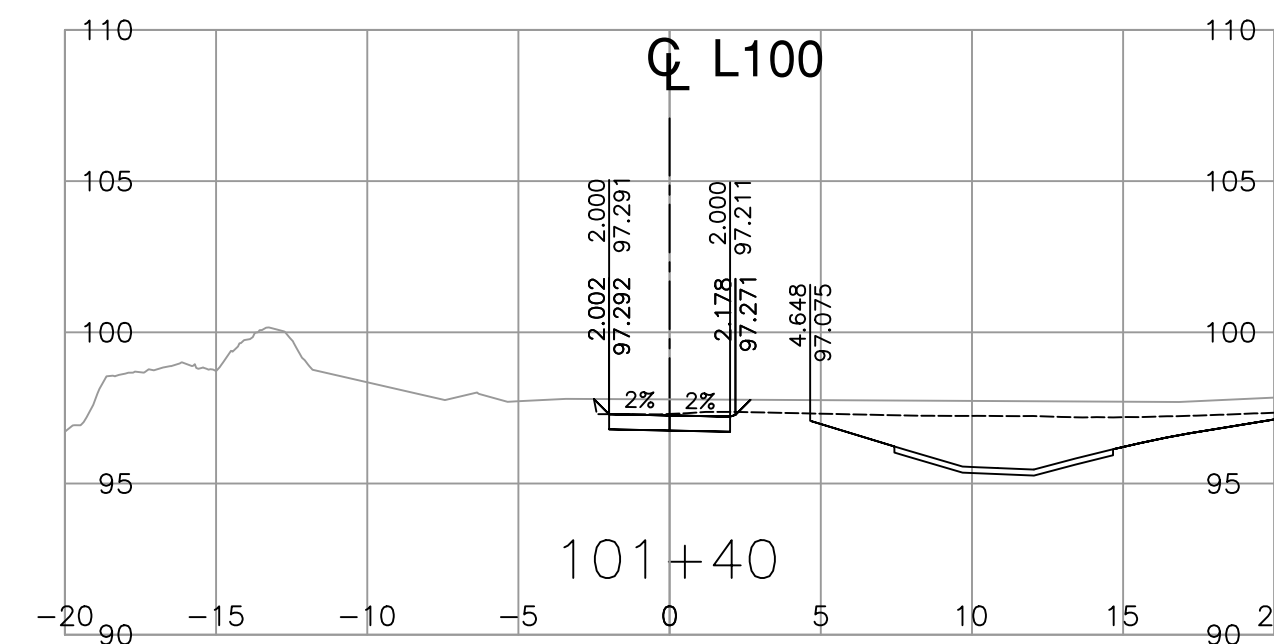
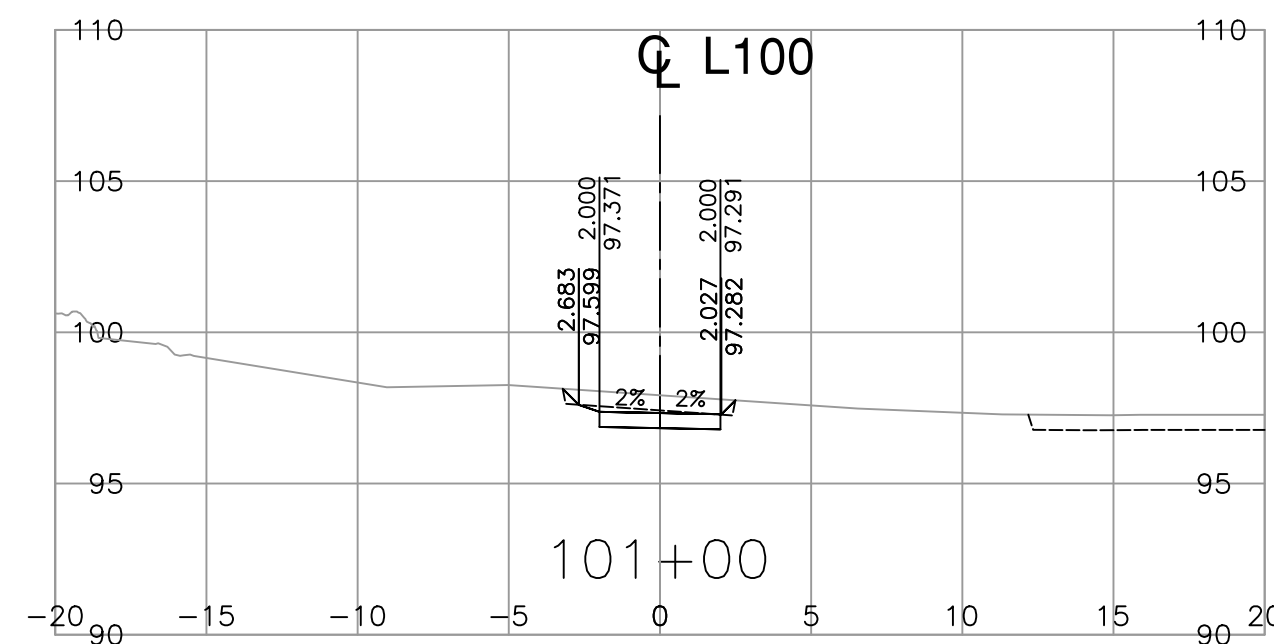
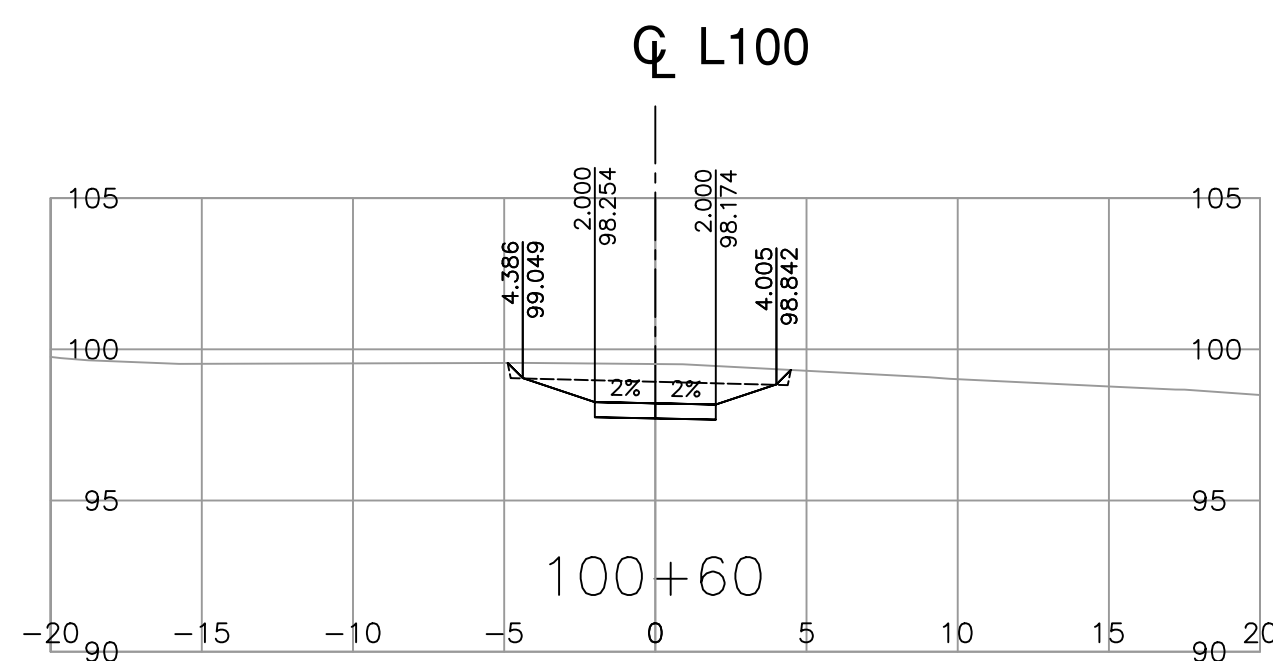
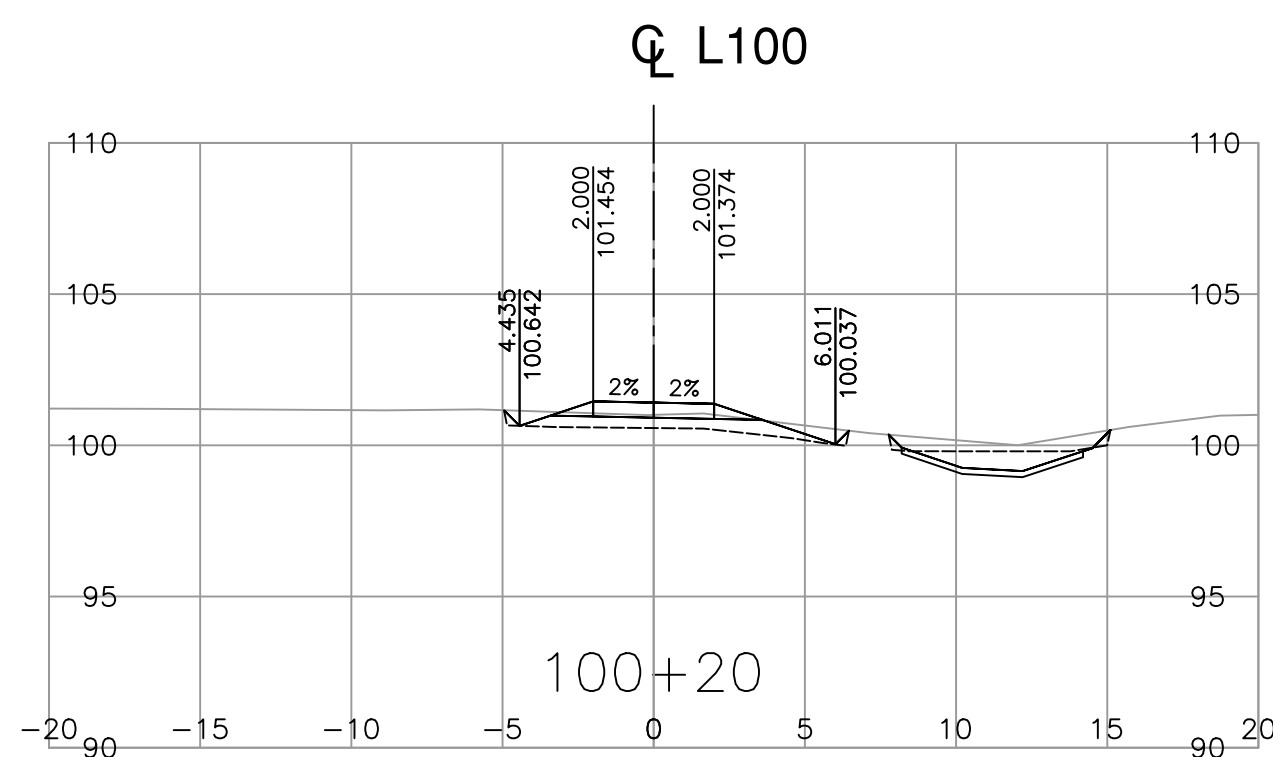
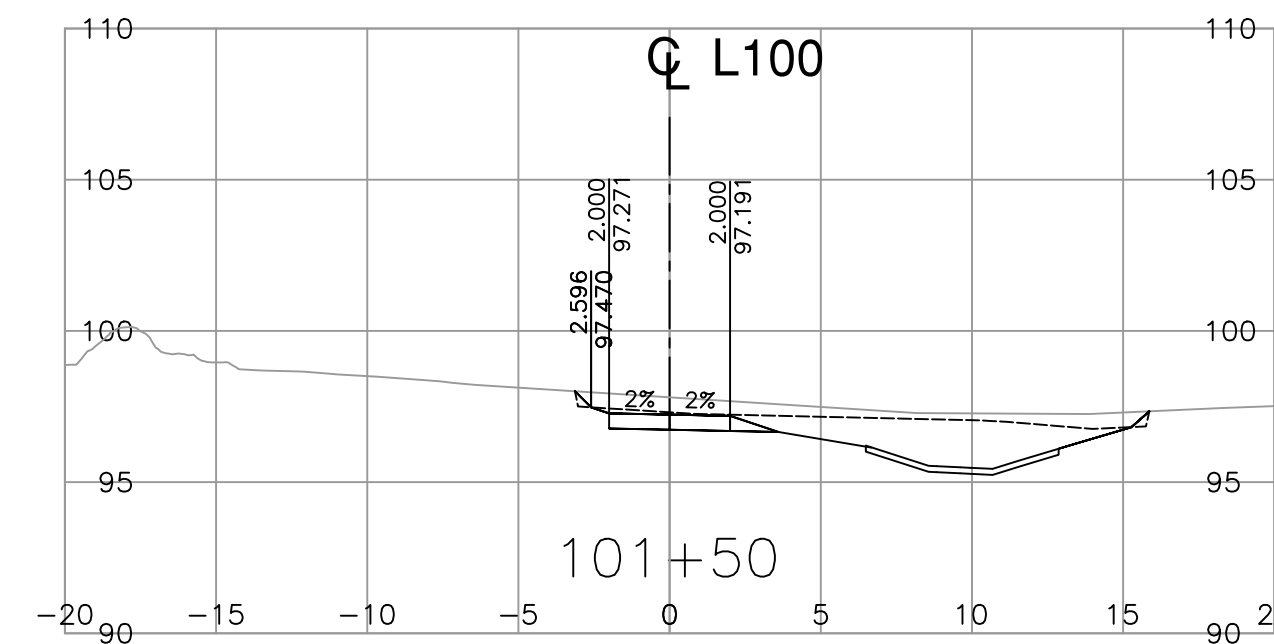
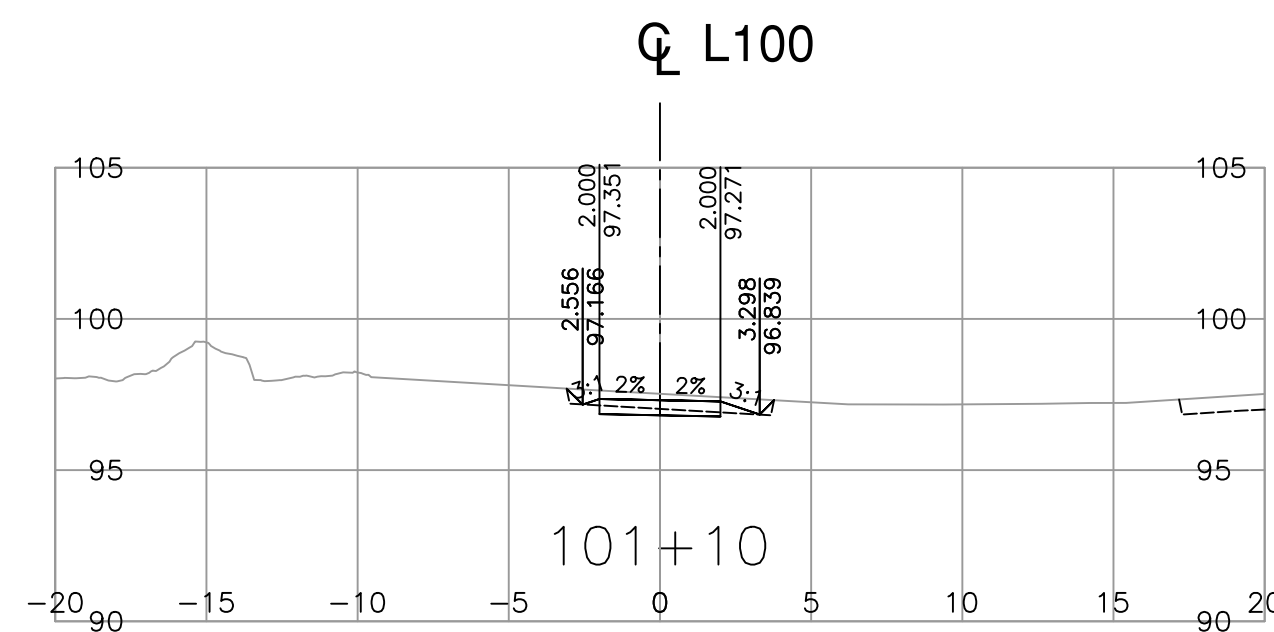
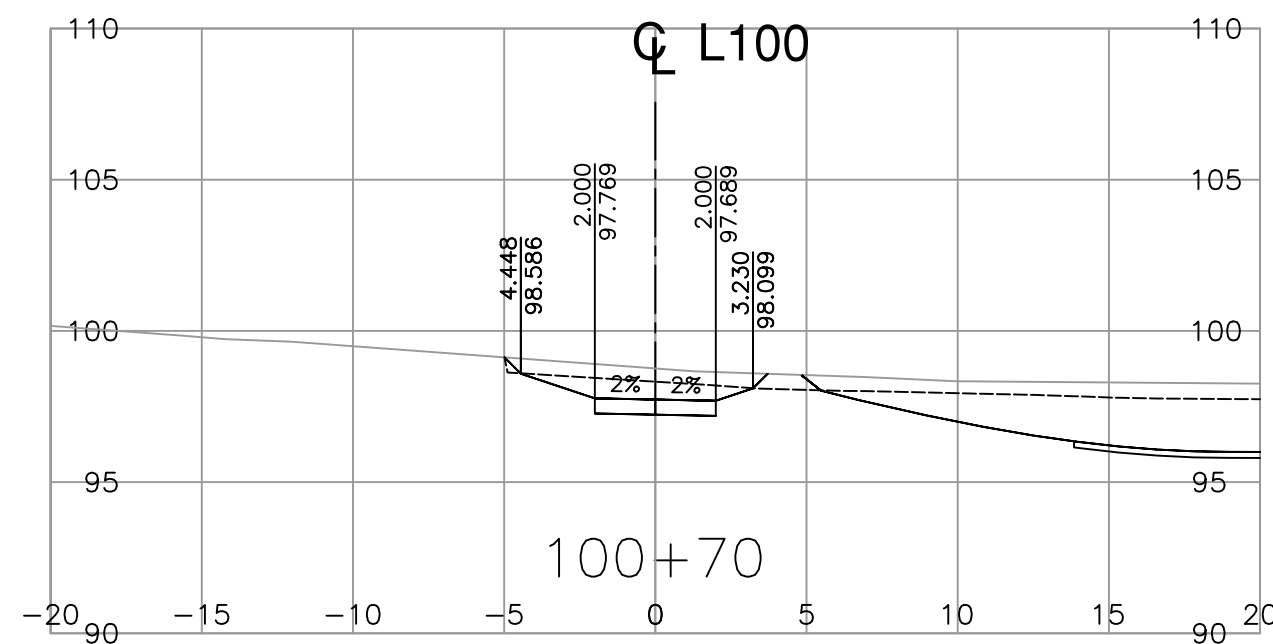
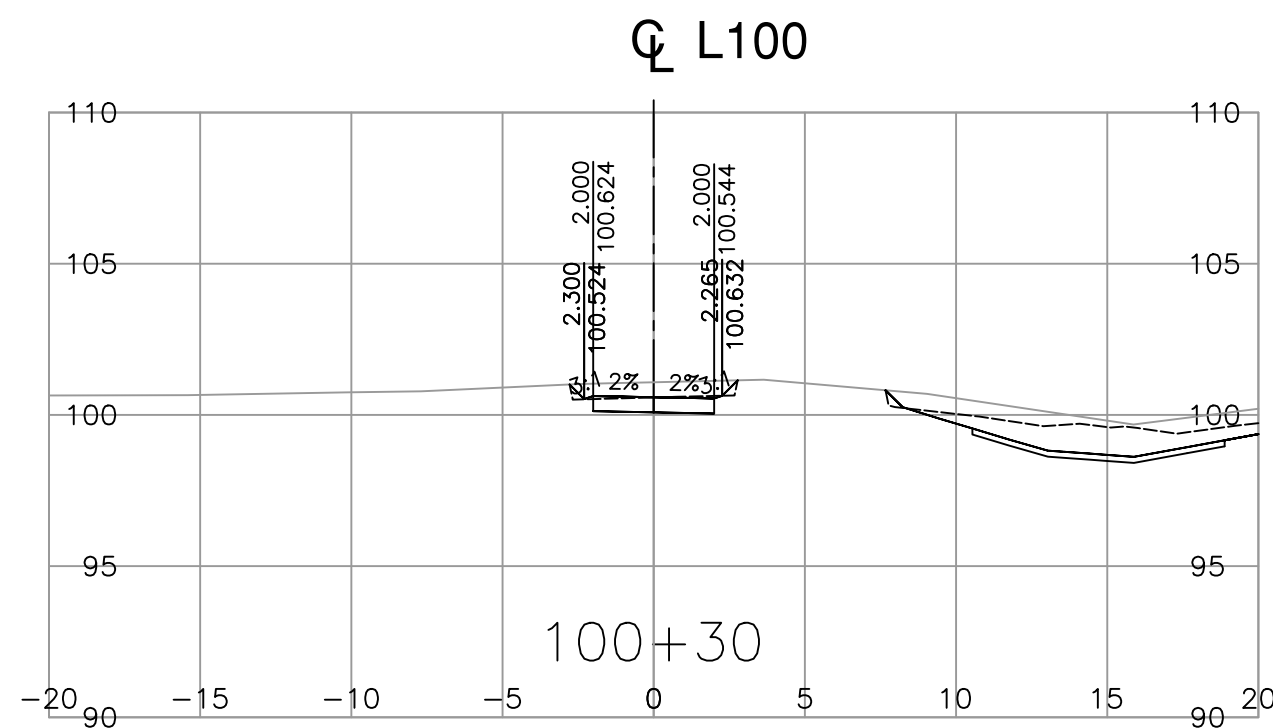
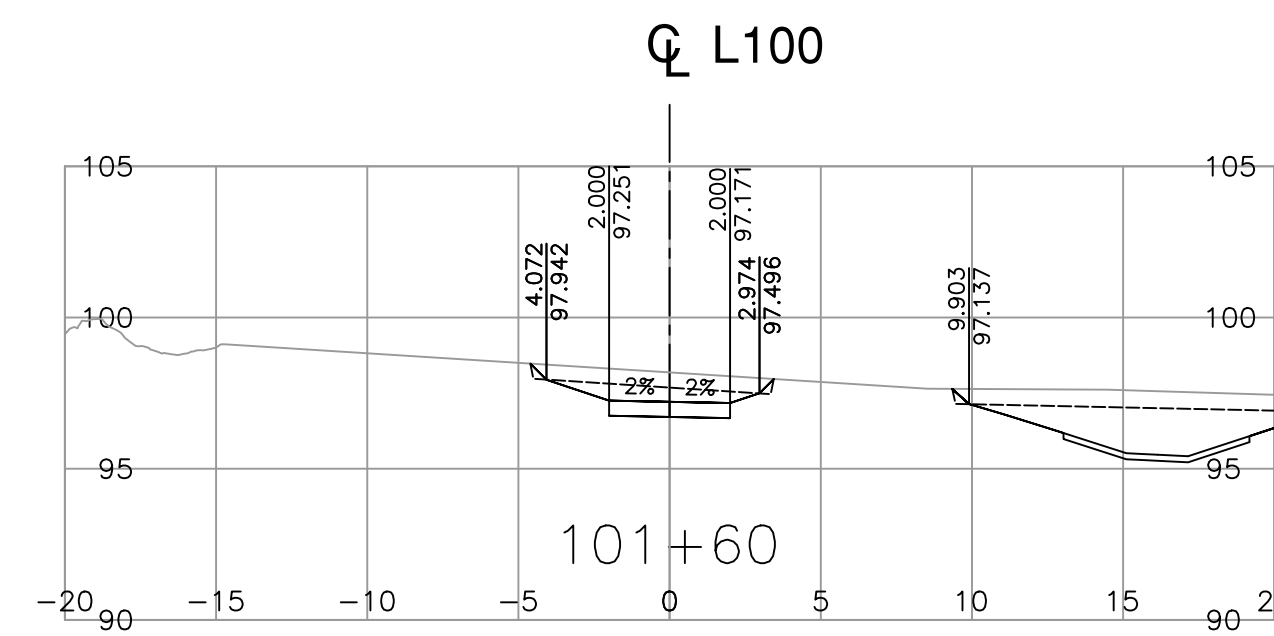
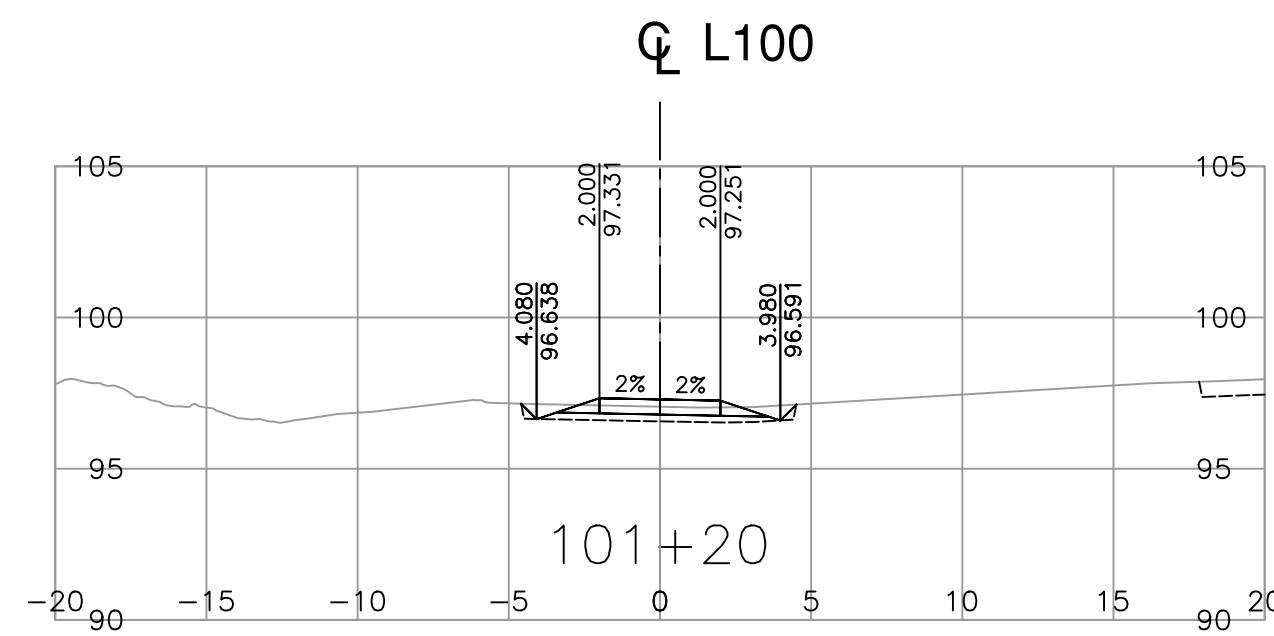
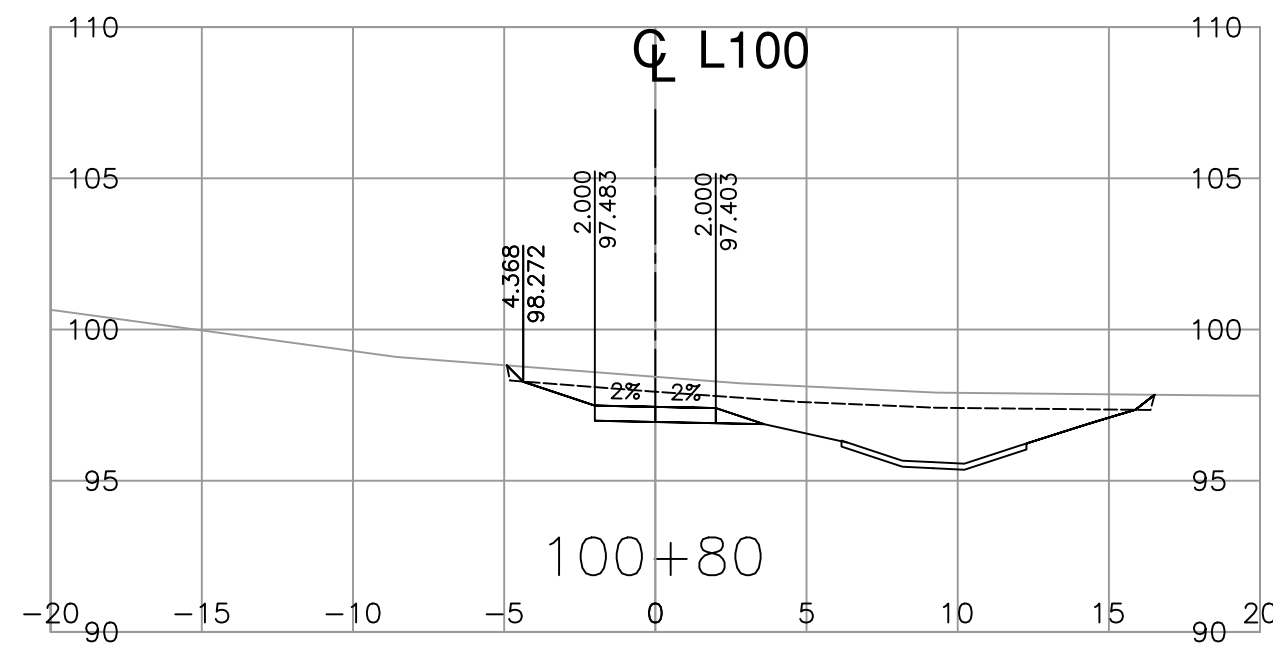
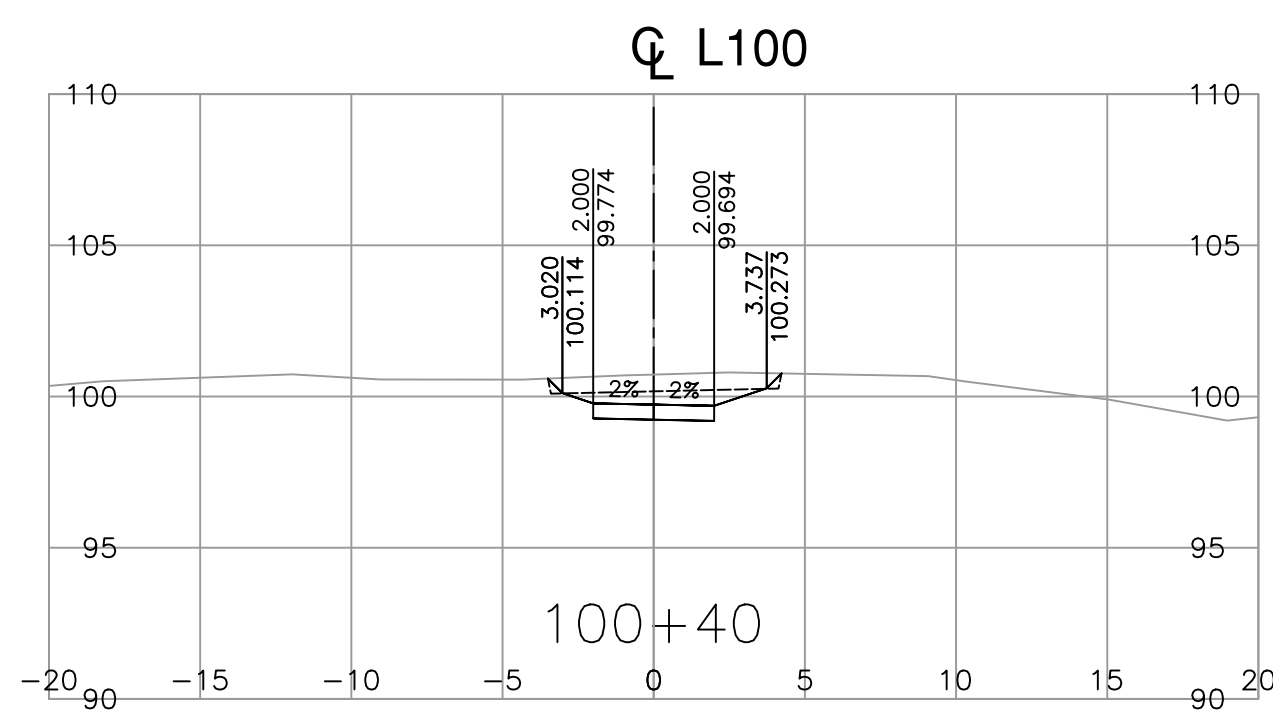


PLOT DATE: 2024/02/21 X:\2121\2121-00815-05 MoTI - Offsite Environmental Habitat Enhancement Area\10.0 DRAWINGS\10.3 Engineering\BradnerNorth\DrawingProduction\1000_DesignSections\R1-1109-1000.dwg



INFORMATION ON EXISTING UNDERGROUND FACILITIES MAY NOT BE COMPLETE OR ACCURATE. MCELHANNY, ITS EMPLOYEES AND DIRECTORS ARE NOT RESPONSIBLE NOR LIABLE FOR THE LOCATION OF ANY UNDERGROUND CONDUITS, PIPES, CABLES OR OTHER FACILITIES WHETHER SHOWN OR OMITTED FROM THIS PLAN. PRIOR TO CONSTRUCTION CONTRACTOR SHALL EXPOSE LOCATIONS OF ALL EXISTING FACILITIES BY HAND DIGGING OR HYDROVAC AND ADVISE THE ENGINEER OF POTENTIAL CONFLICTS.

FOR REFERENCE ONLY

McElhanney

Suite 200
888 Beatty Street
Vancouver BC
Canada V6B 1C1
Tel 604 683 8521

SCALE 0 2 1:250 12m

CAD FILENAME: R1-1109-1000
FILE NUMBER: 2121-00815-05
PLOT DATE: 2/21/2024

REV	DATE	REVISIONS	NAME

BRITISH COLUMBIA

MINISTRY OF TRANSPORTATION AND INFRASTRUCTURE

SOUTH COAST REGION
HIGHWAY ENGINEERING AND GEOMATICS

CROSS SECTIONS

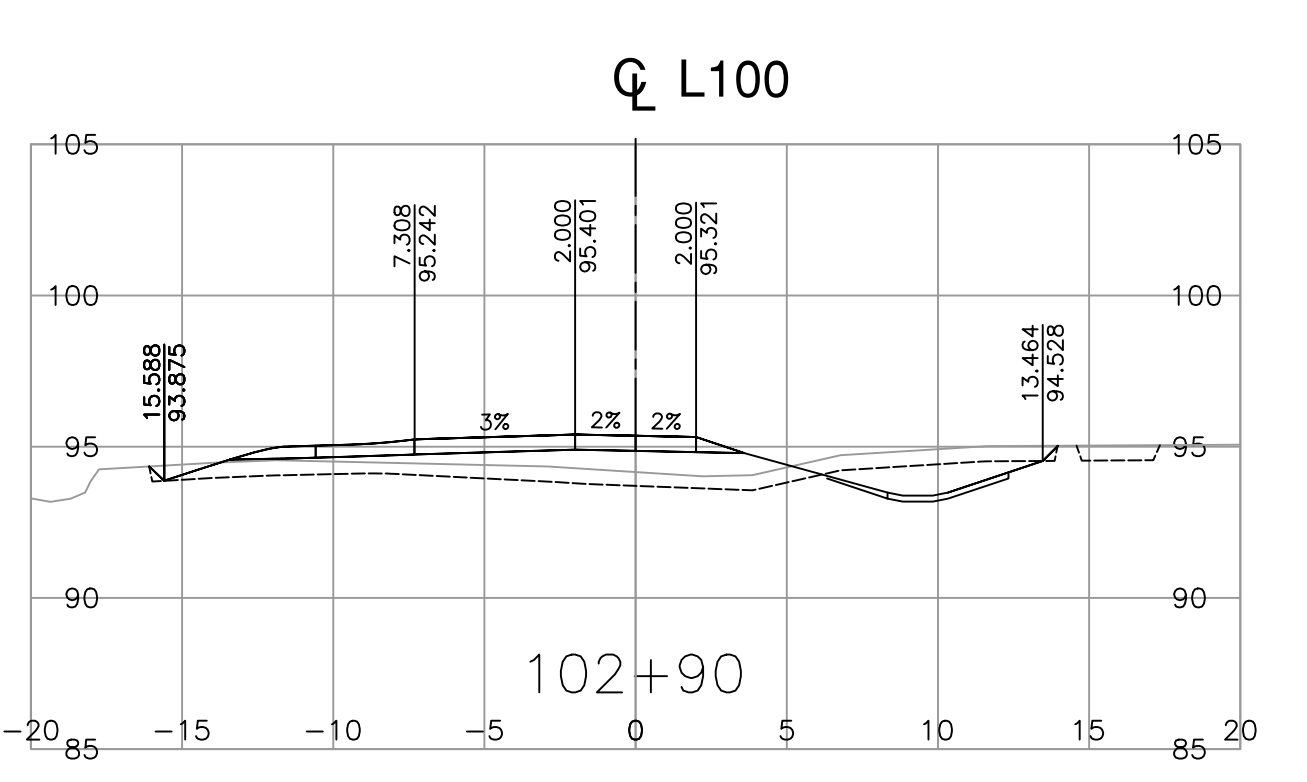
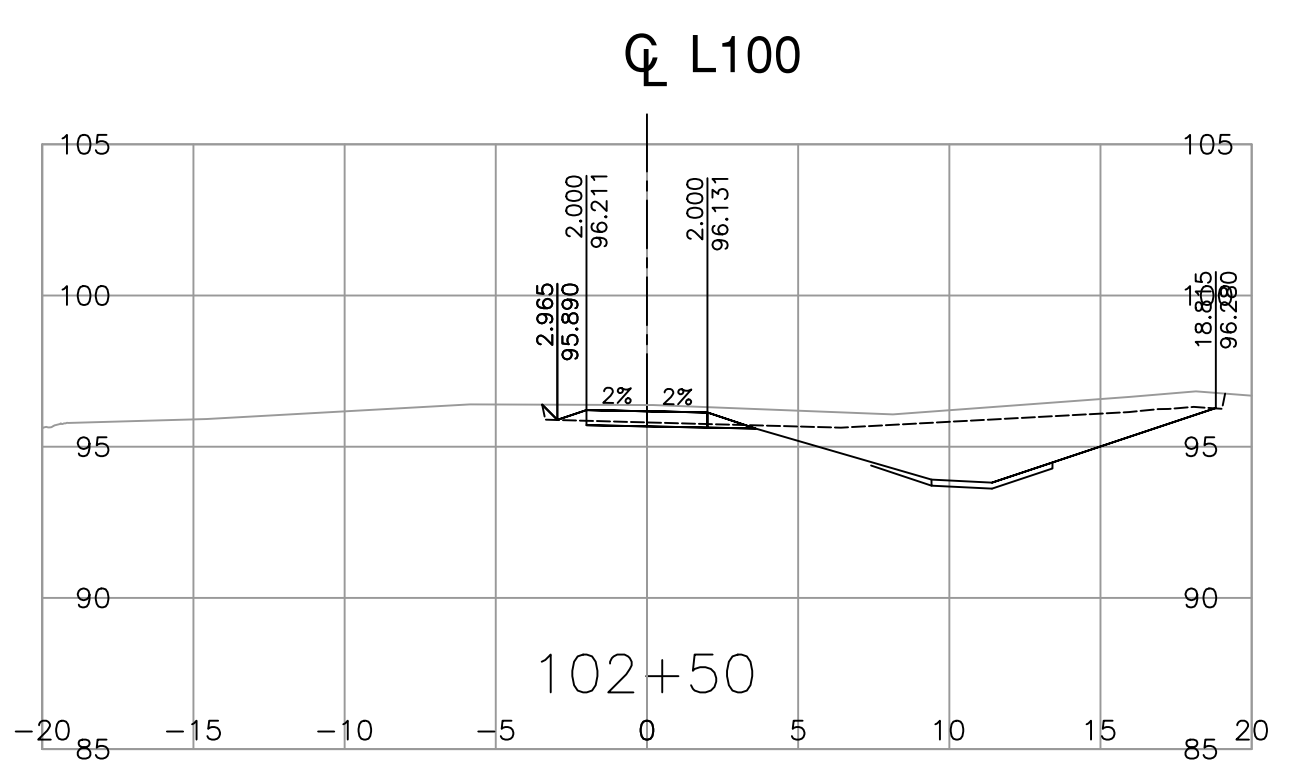
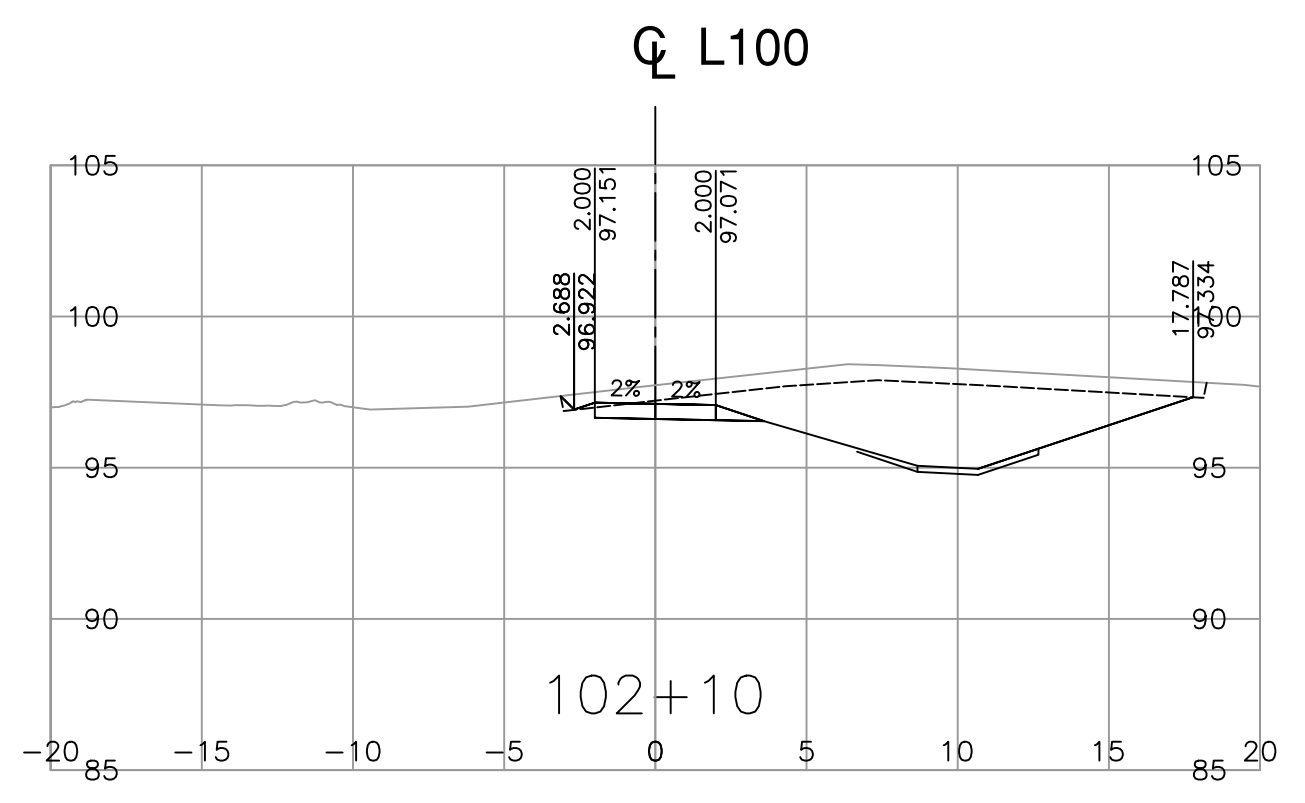
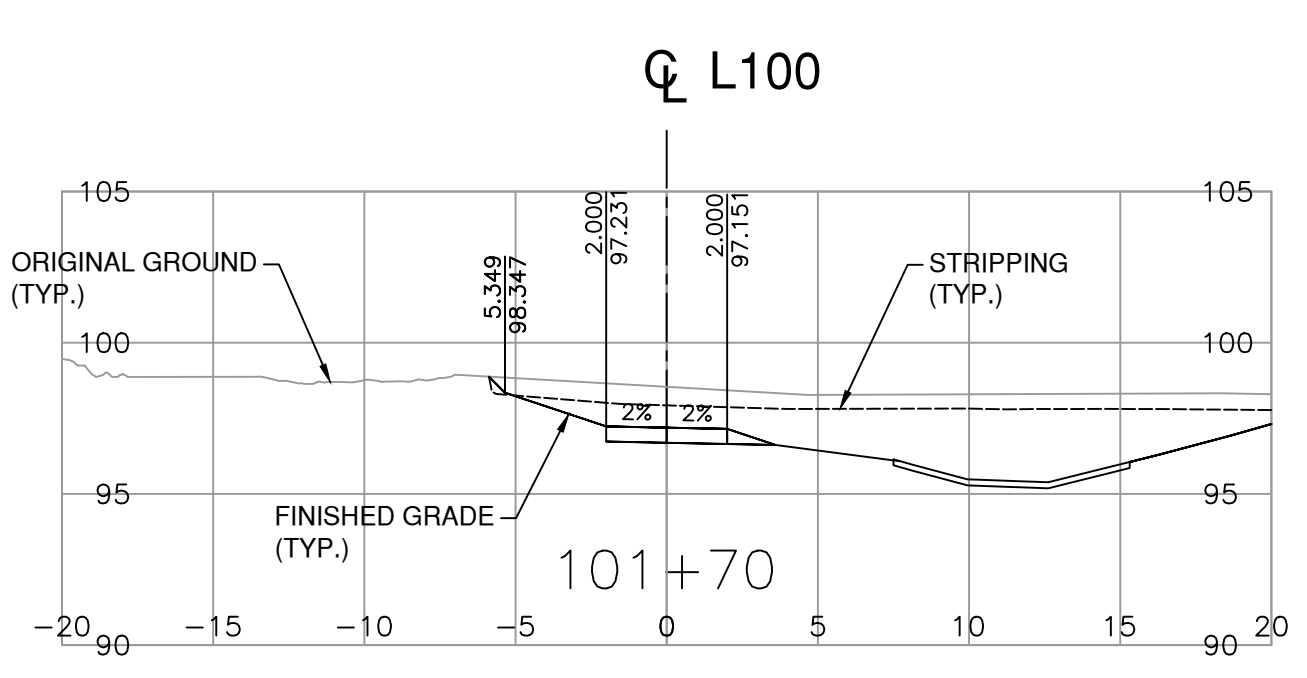
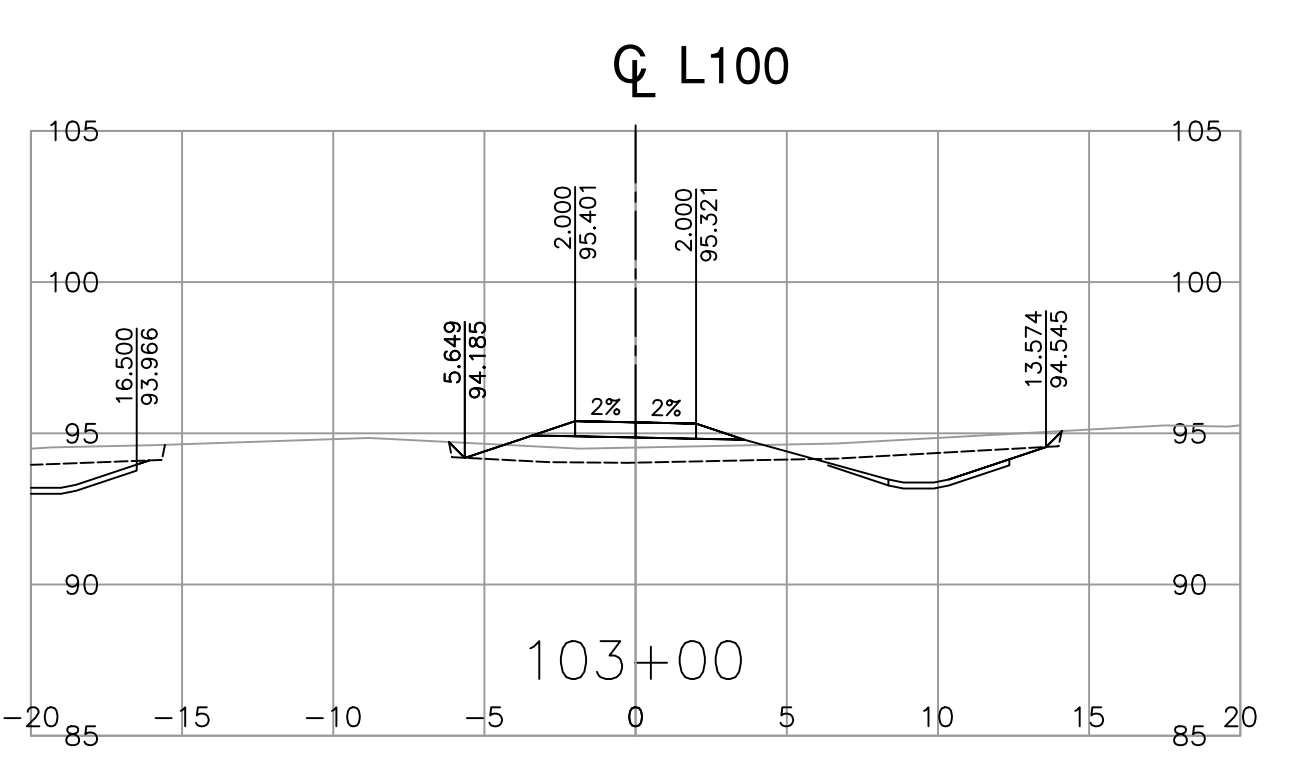
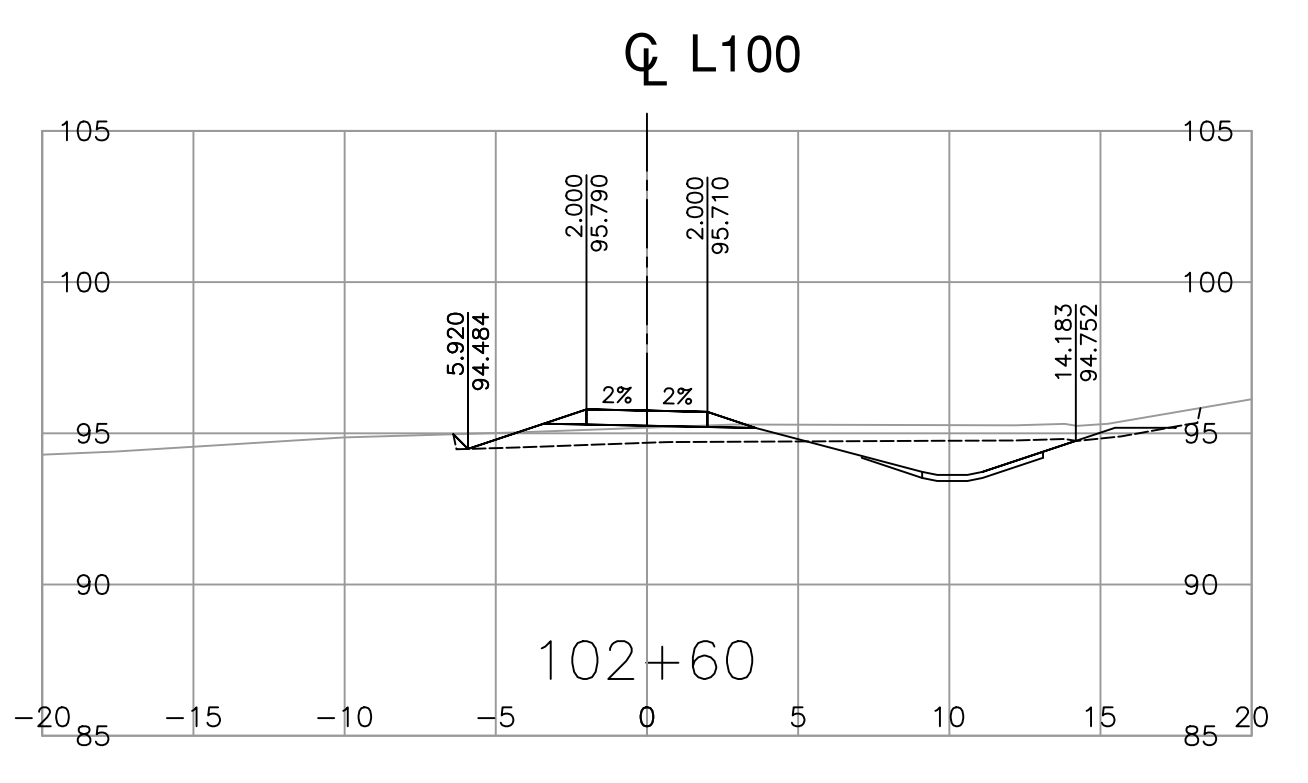
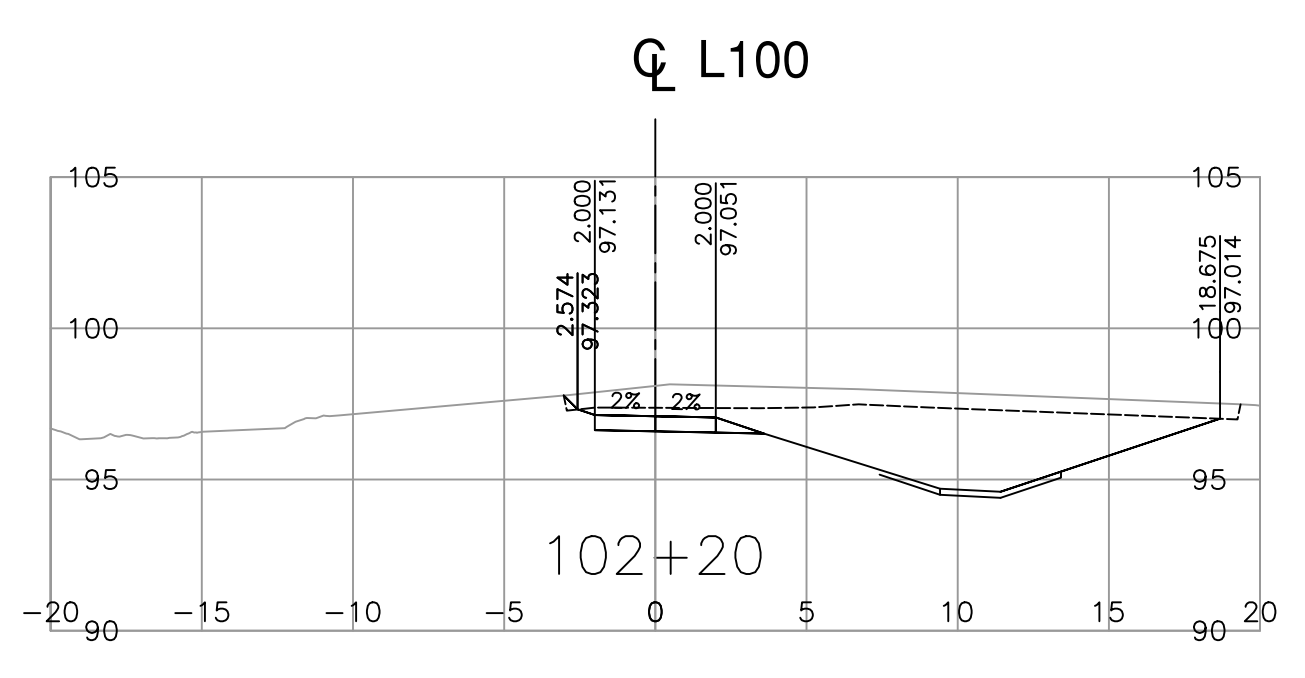
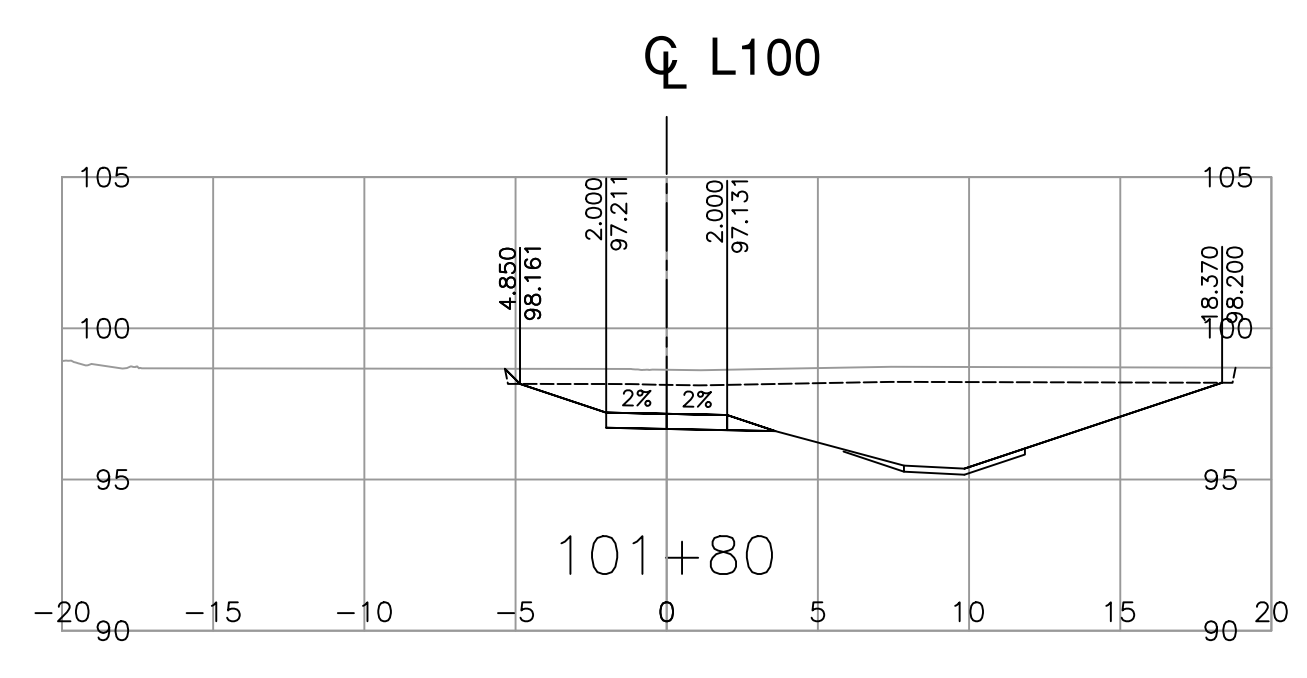
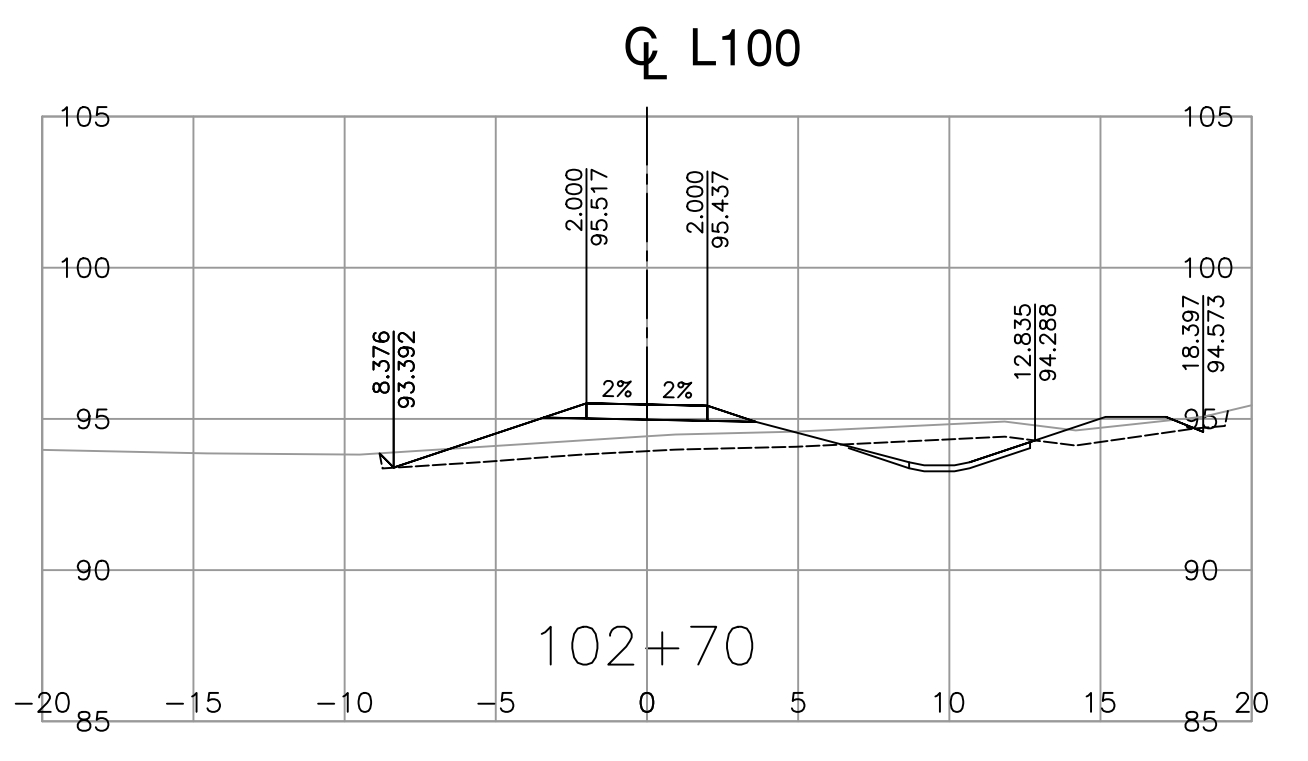
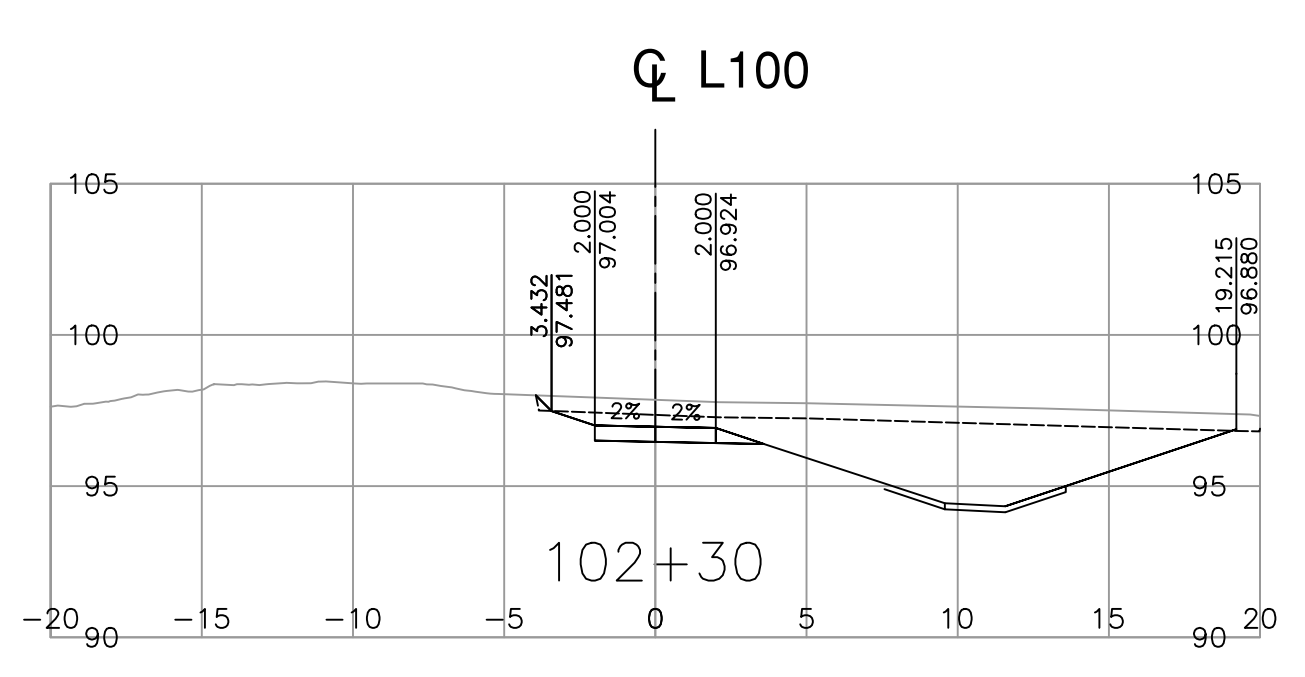
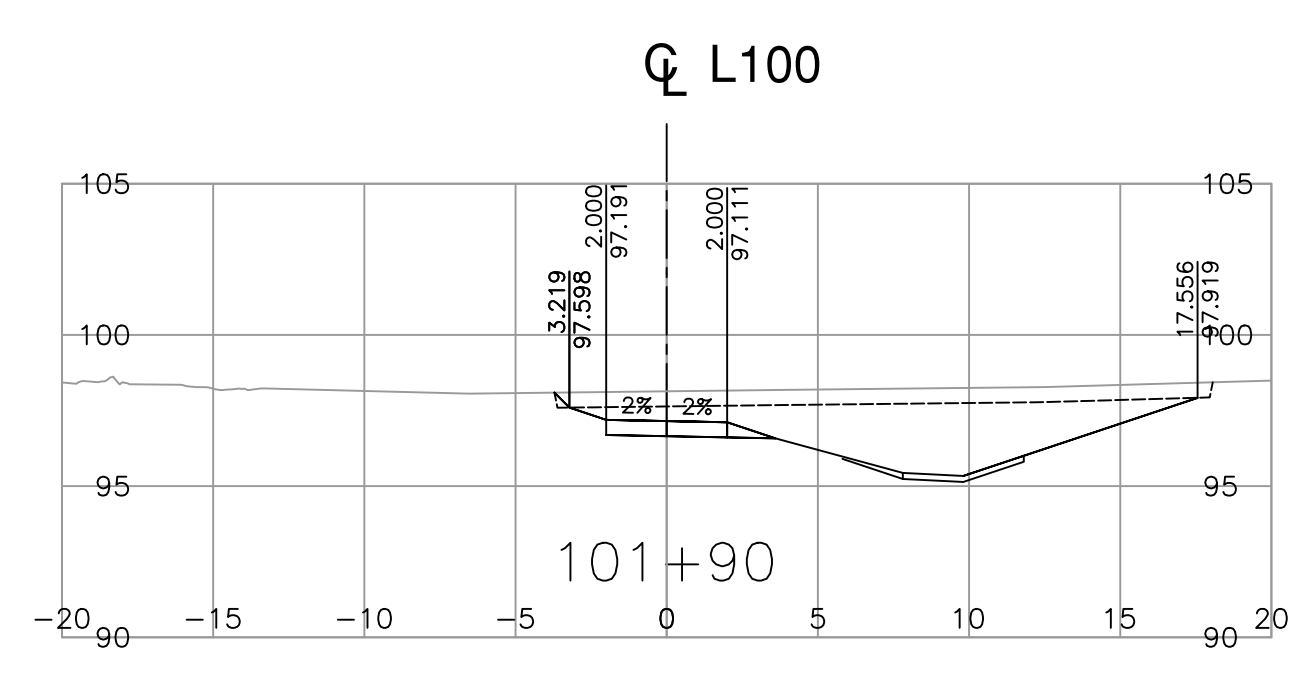
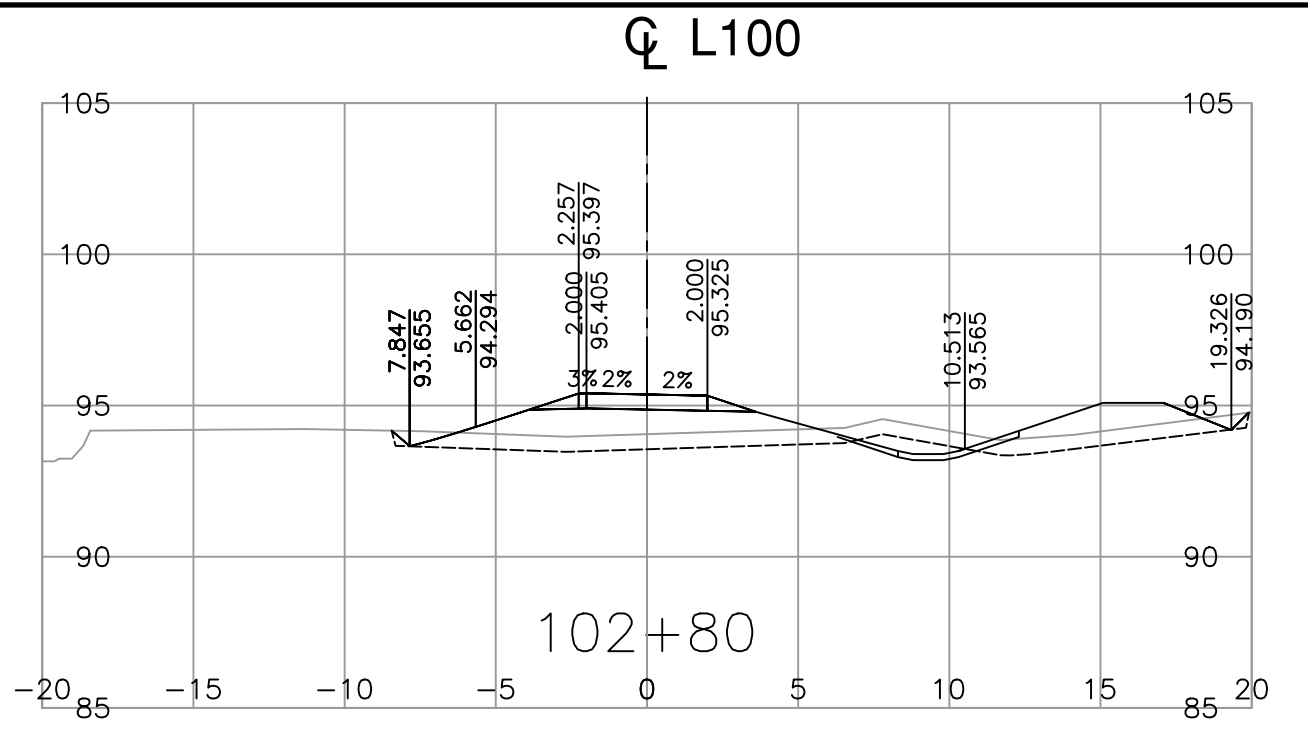
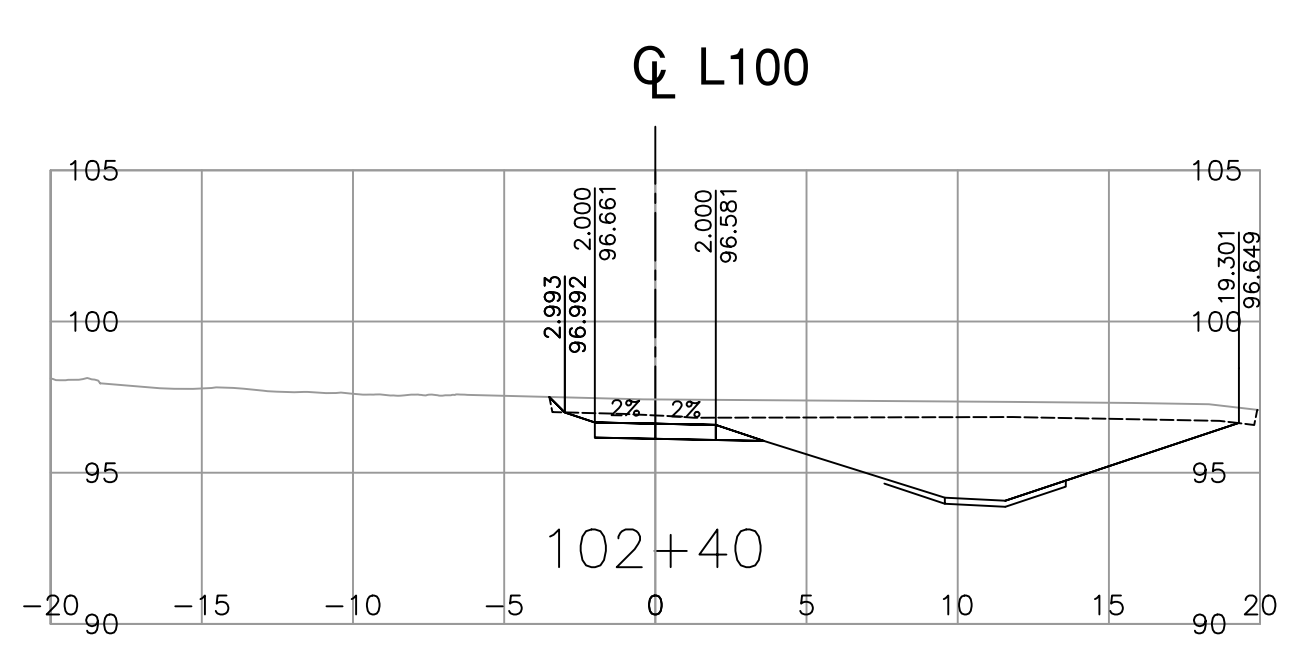
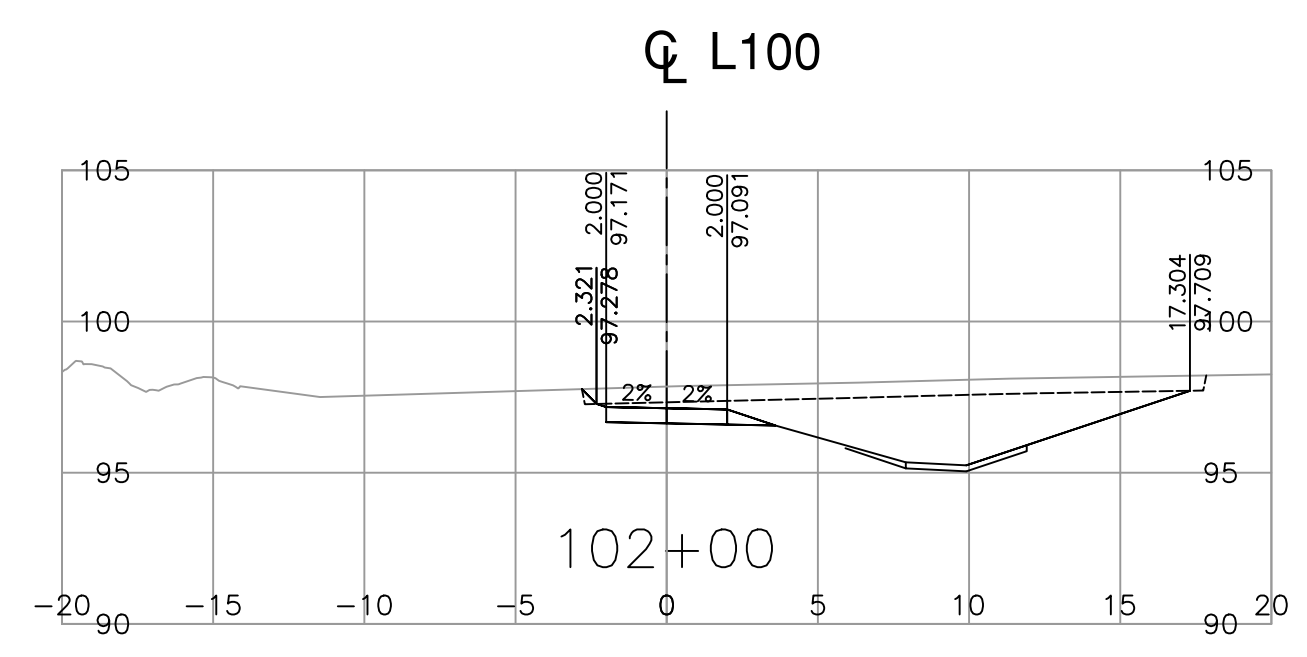
HIGHWAY 1 - MAINLINE WEST
BRADNER NORTH ENVIRONMENTAL HABITAT ENHANCEMENT

DESIGNED	R. HALPIN	DATE	2024-02-23
QUALITY CONTROL	J. MCKEE	DATE	2024-02-23
QUALITY ASSURANCE	K. LEGGETT	DATE	2024-02-23
DRAWN	L. PARK	DATE	2024-02-23

J. MCKEE
PROFESSIONAL OF RECORD
EGBC PERMIT TO PRACTICE 1003299
DATE: 2024-02-23

PROJECT NUMBER	REG	DRAWING NUMBER	REV
13253-1001	1	R1-1109-1001	

PLOT DATE: 2024/02/21 X:\2121\2121-00815-05 MoTI - Offsite Environmental Habitat Enhancement Area\10.0 DRAWINGS\10.3 Engineering\BradnerNorth\DrawingProduction\1000_DesignSections\R1-1109-1000.dwg

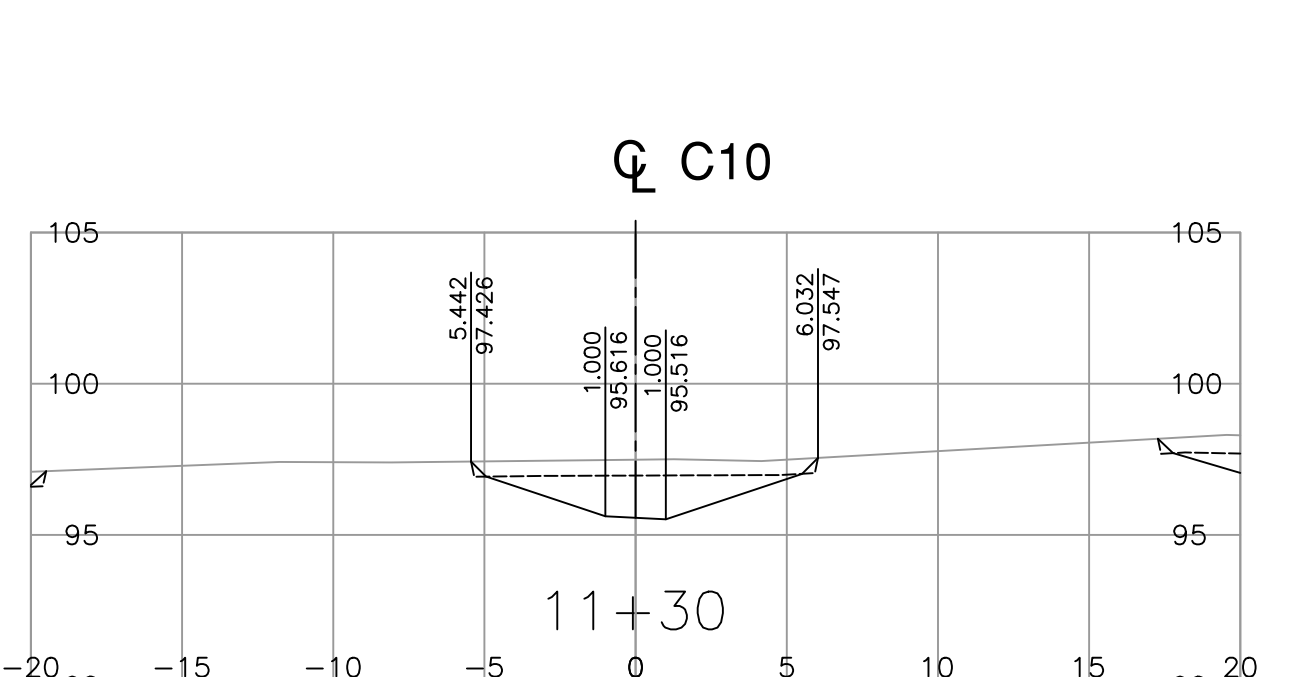
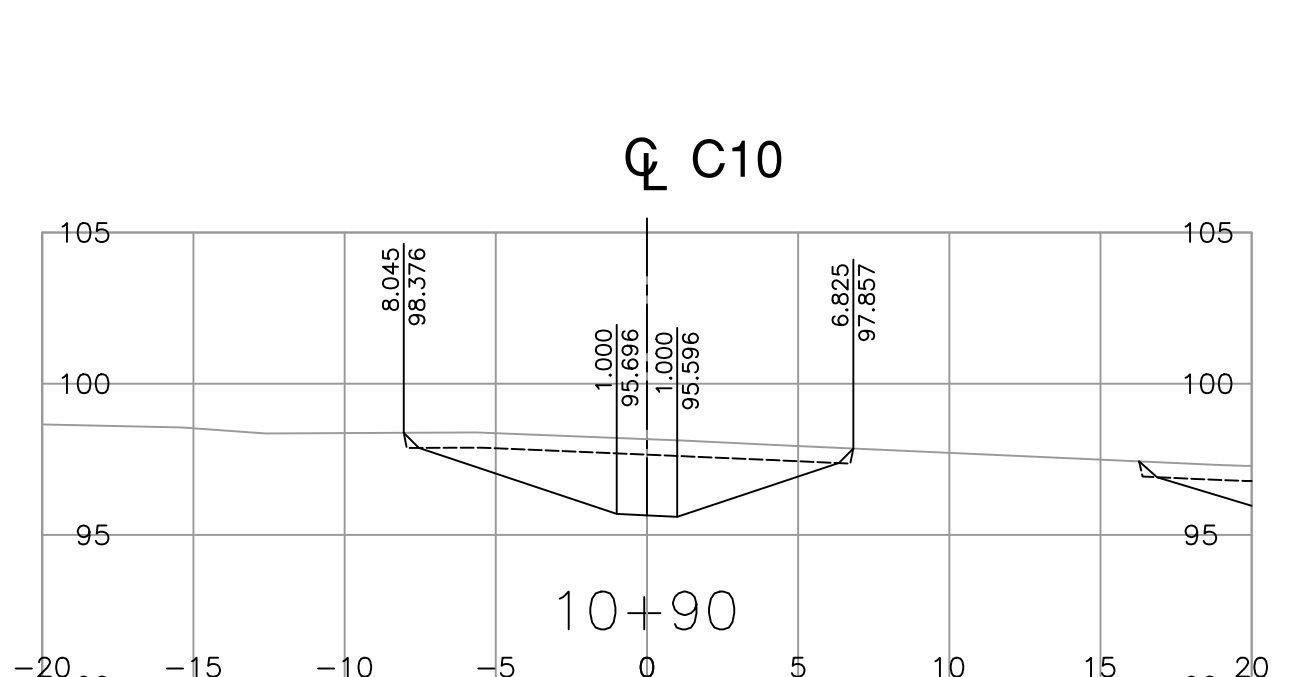
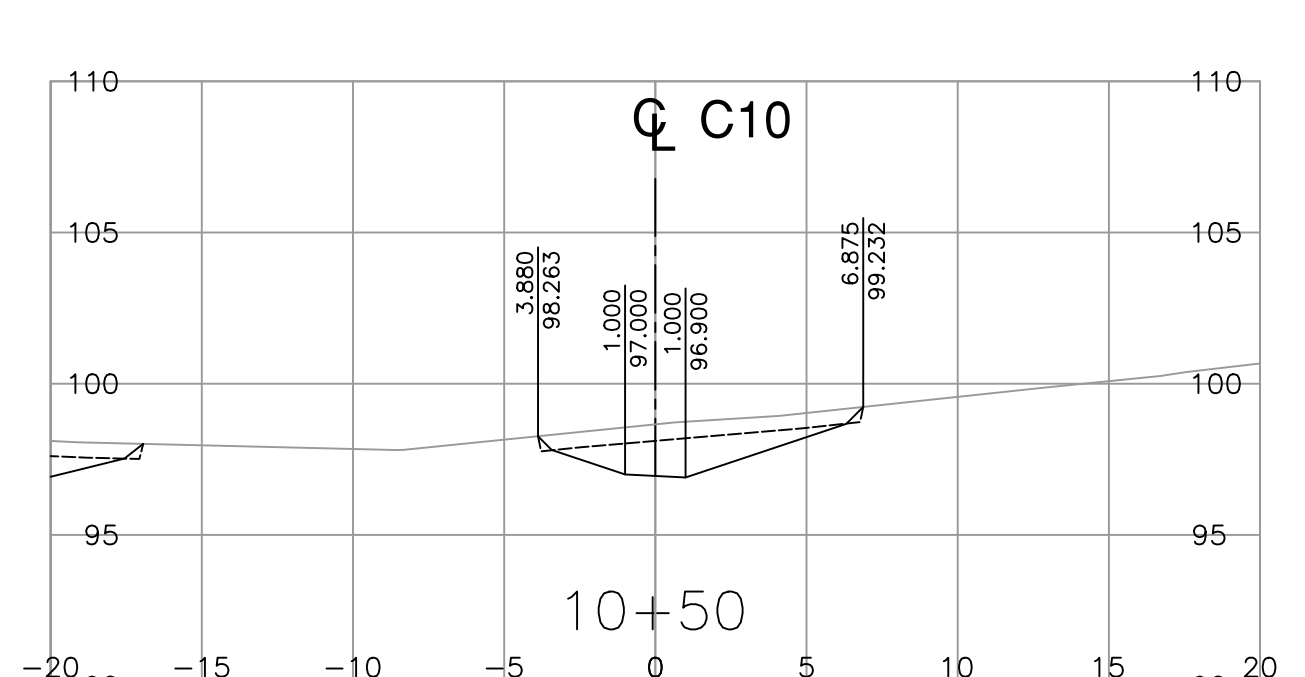
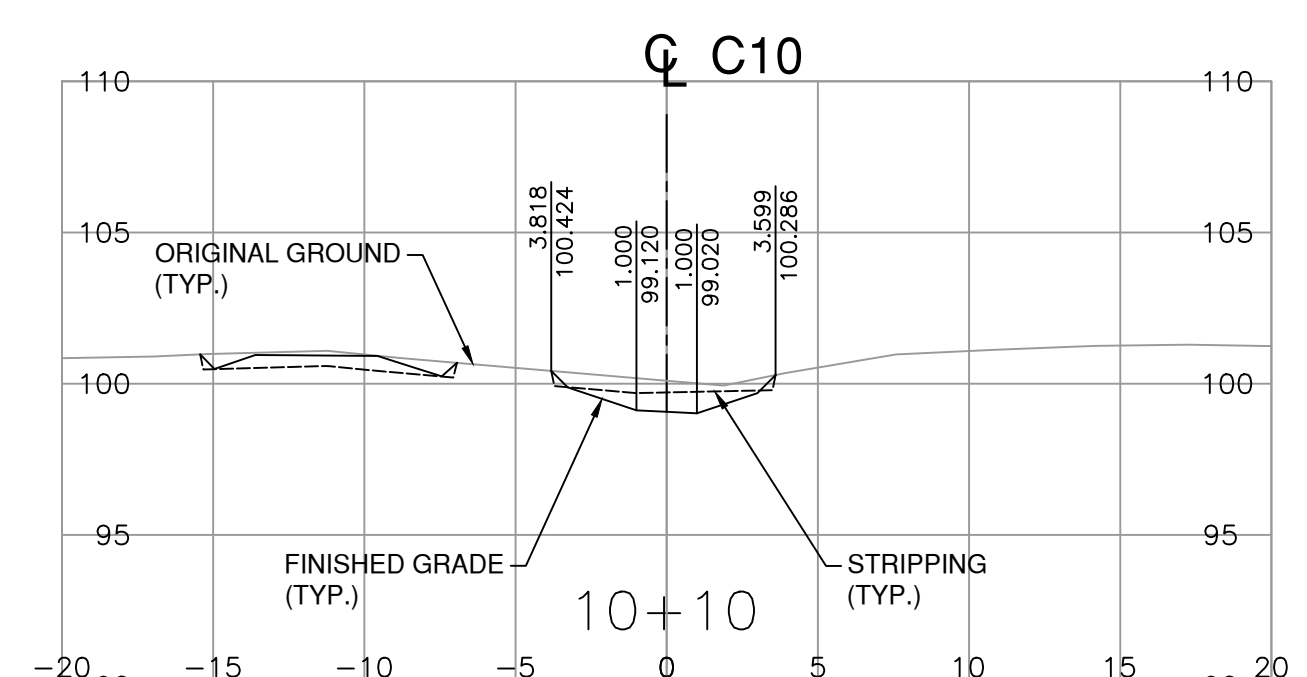
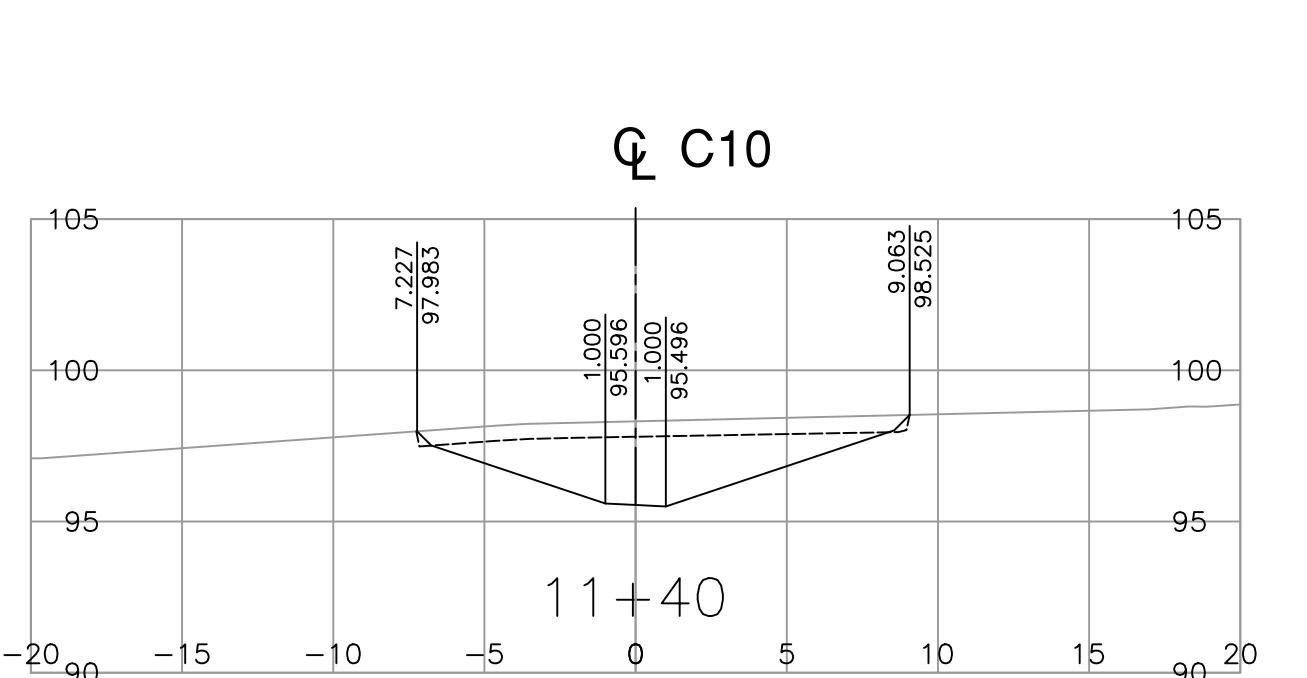
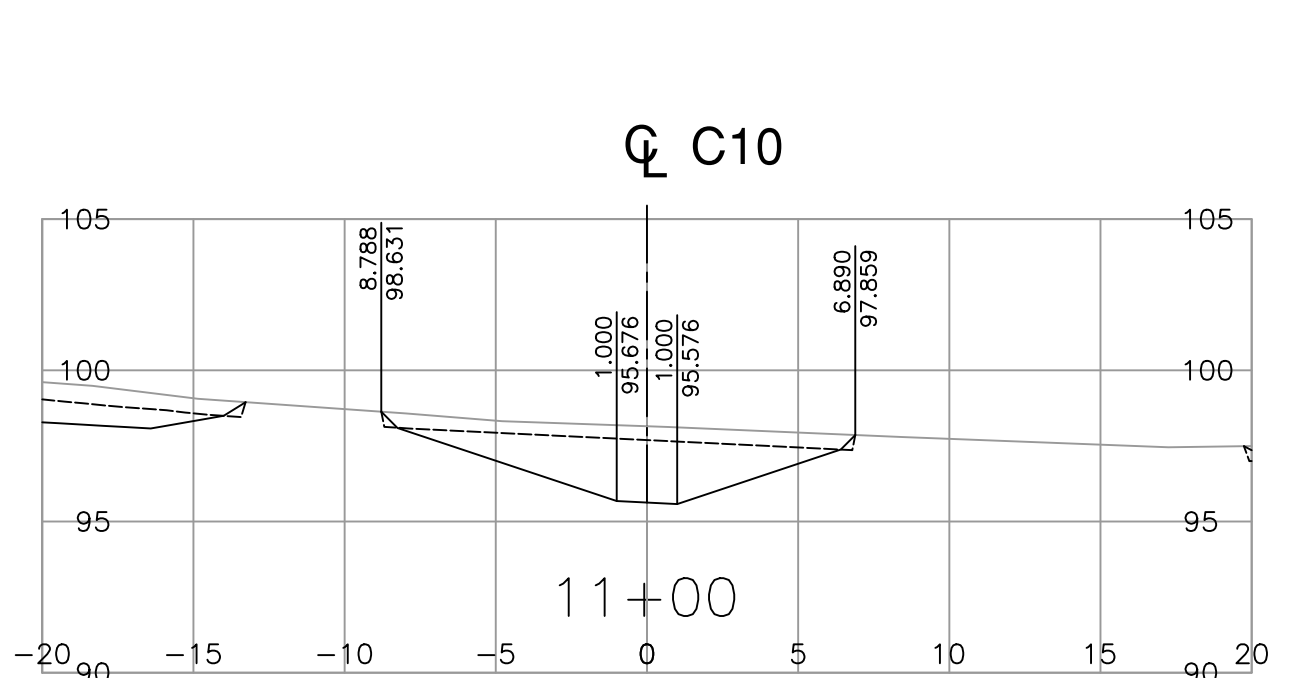
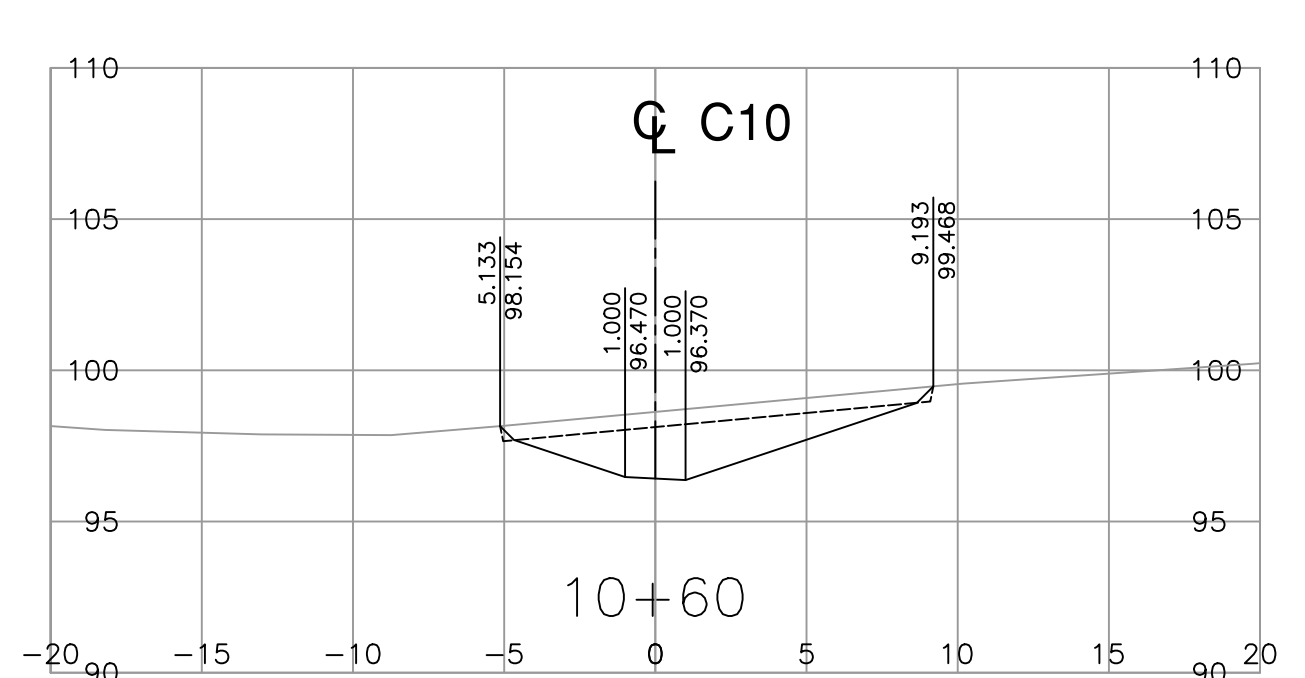
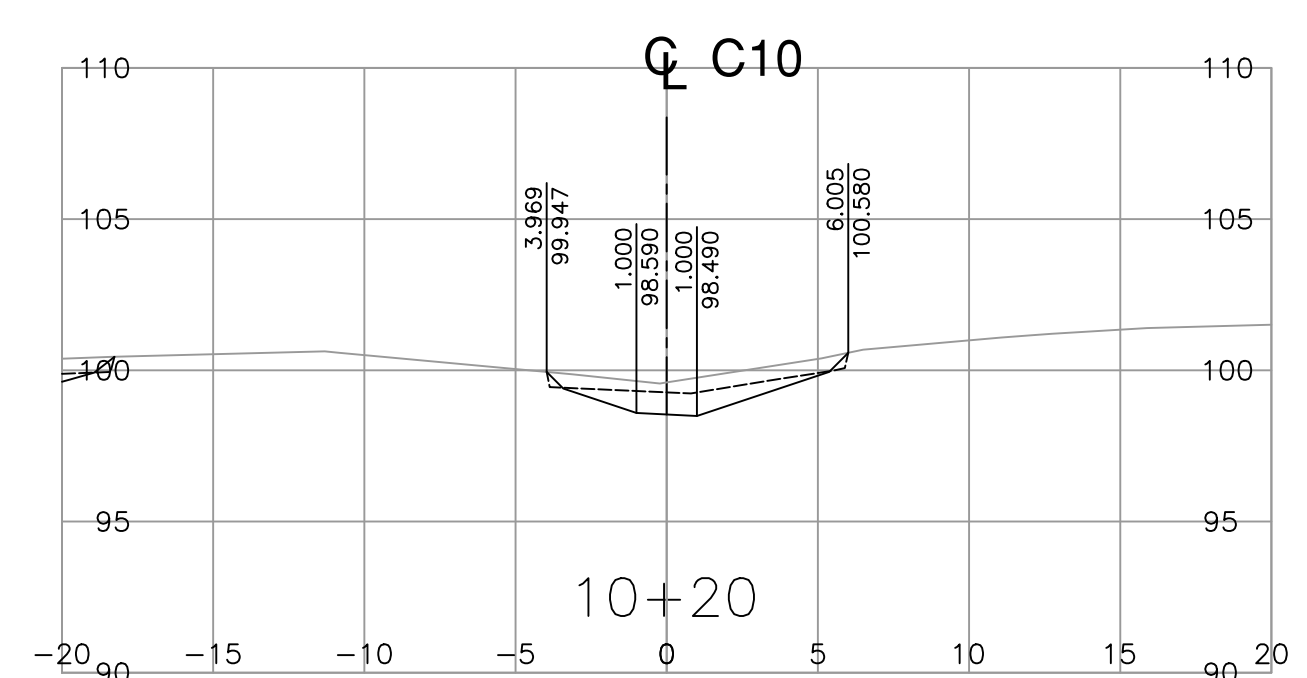
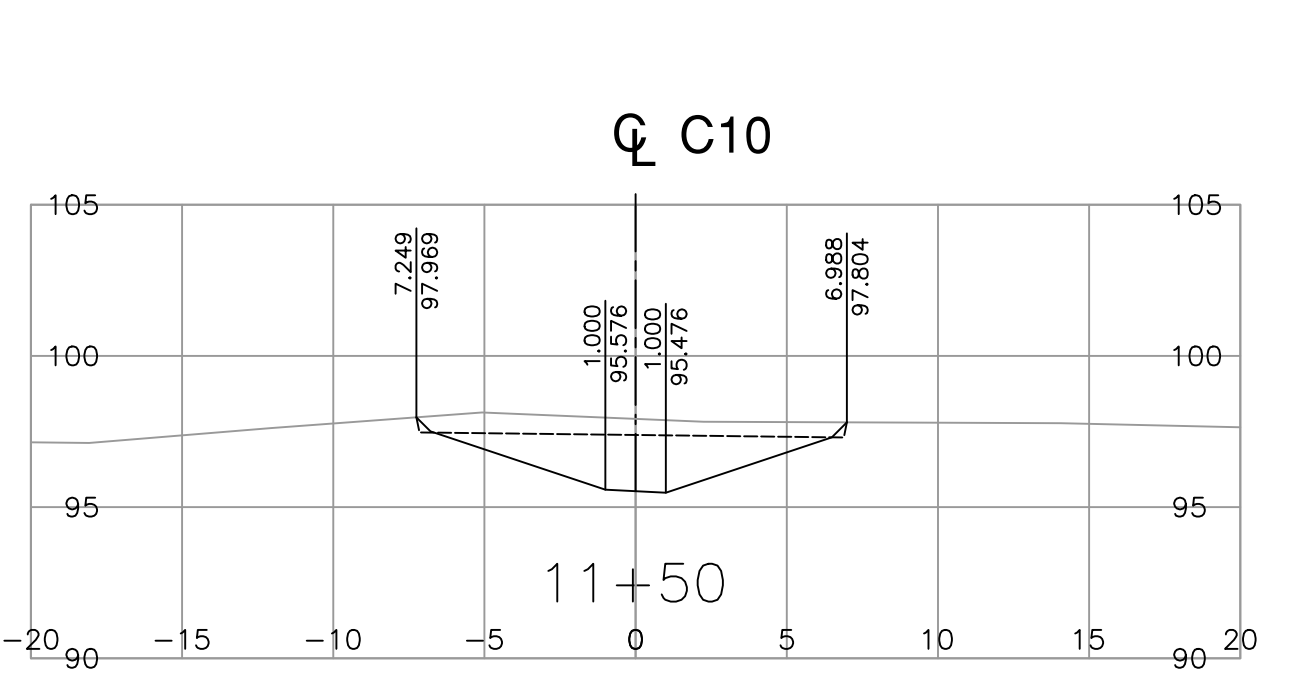
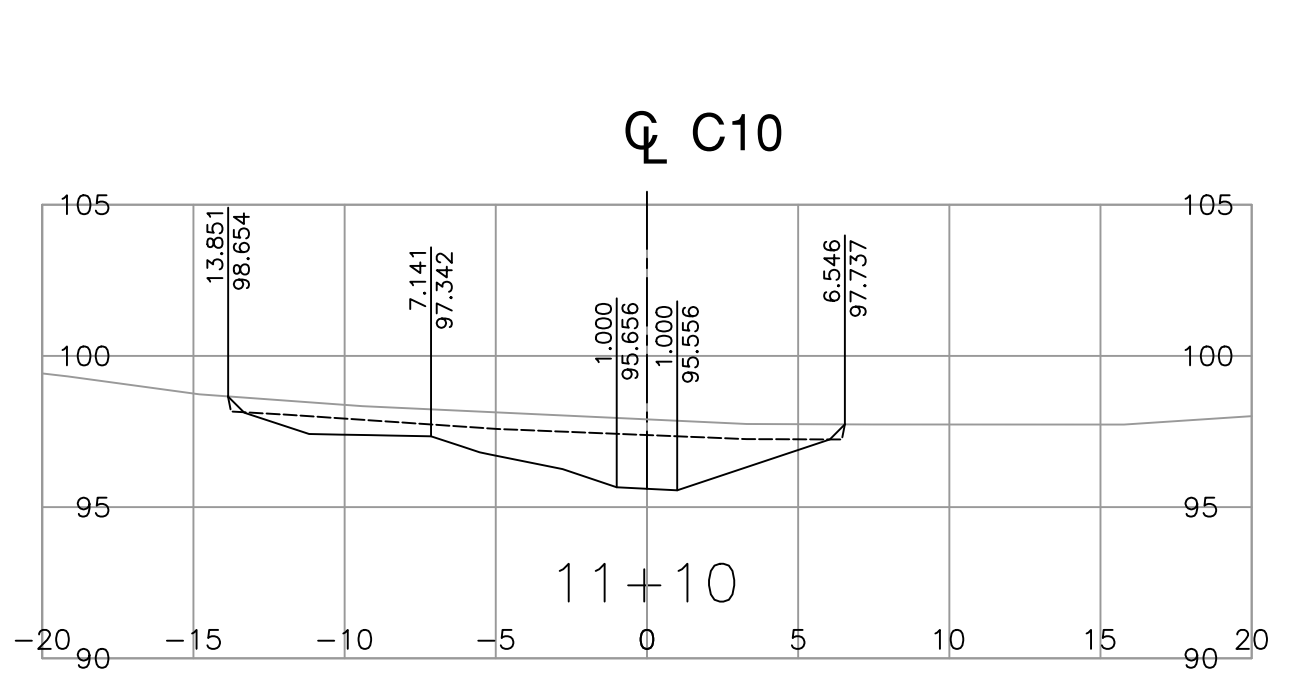
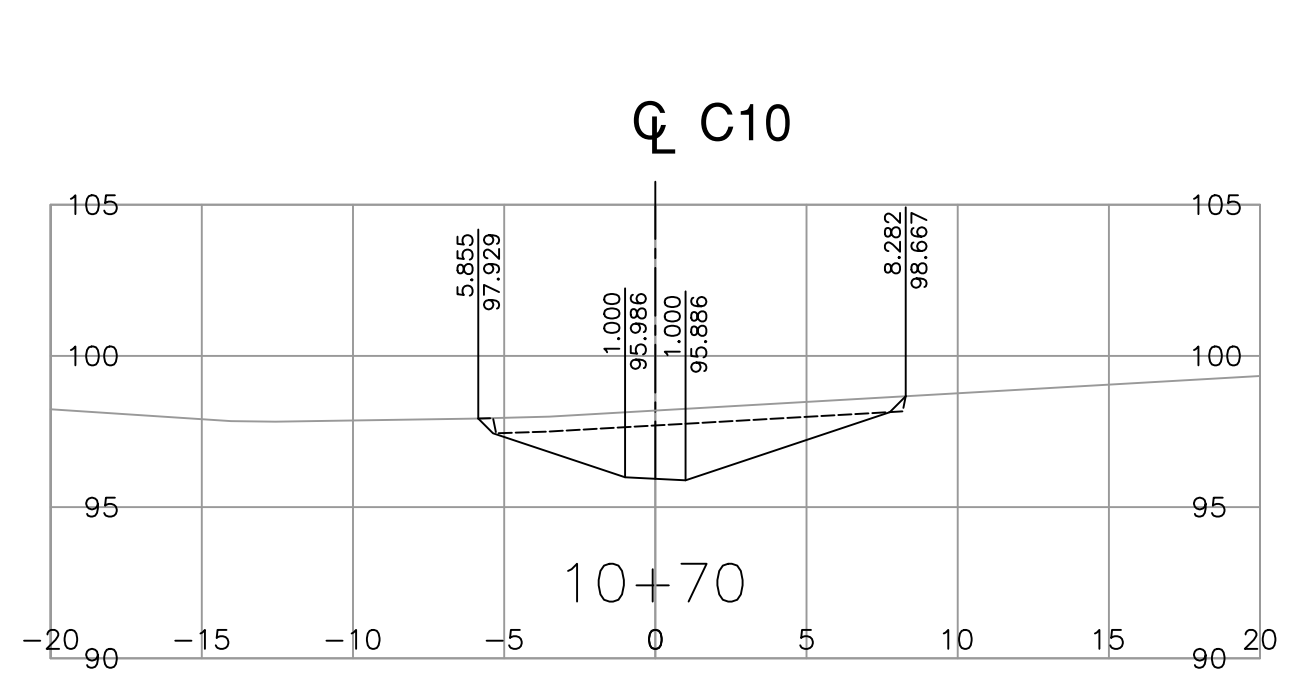
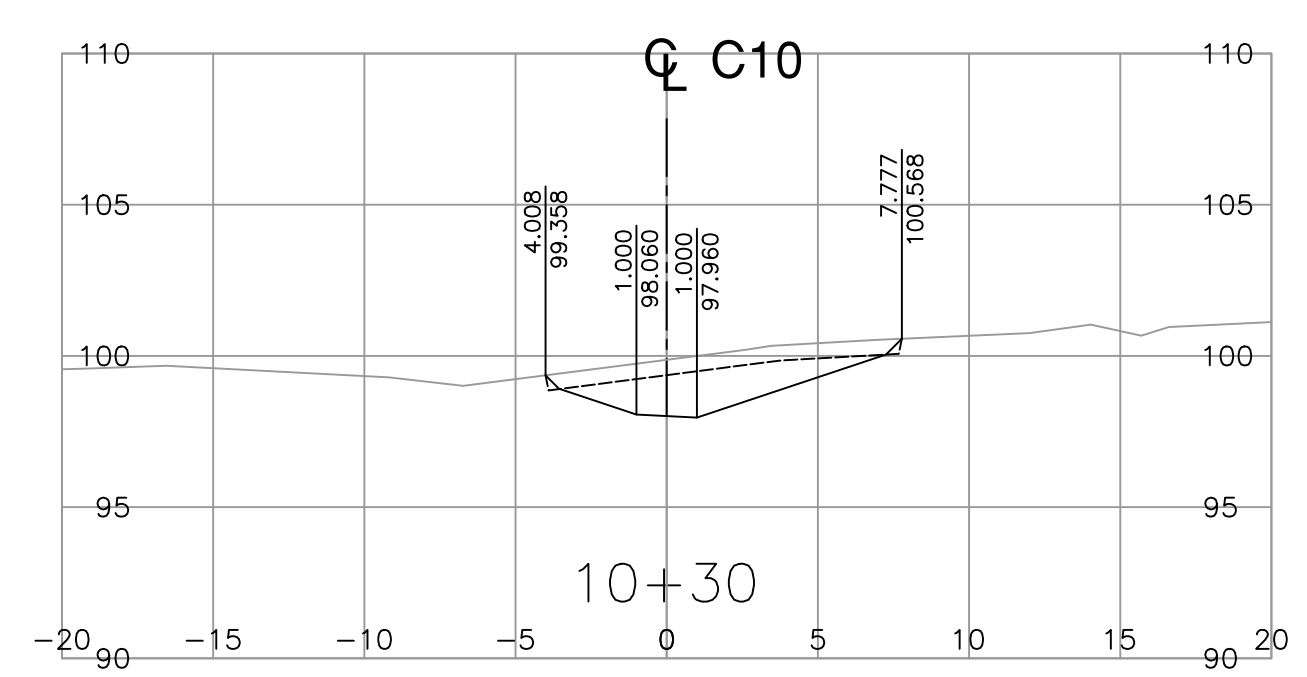
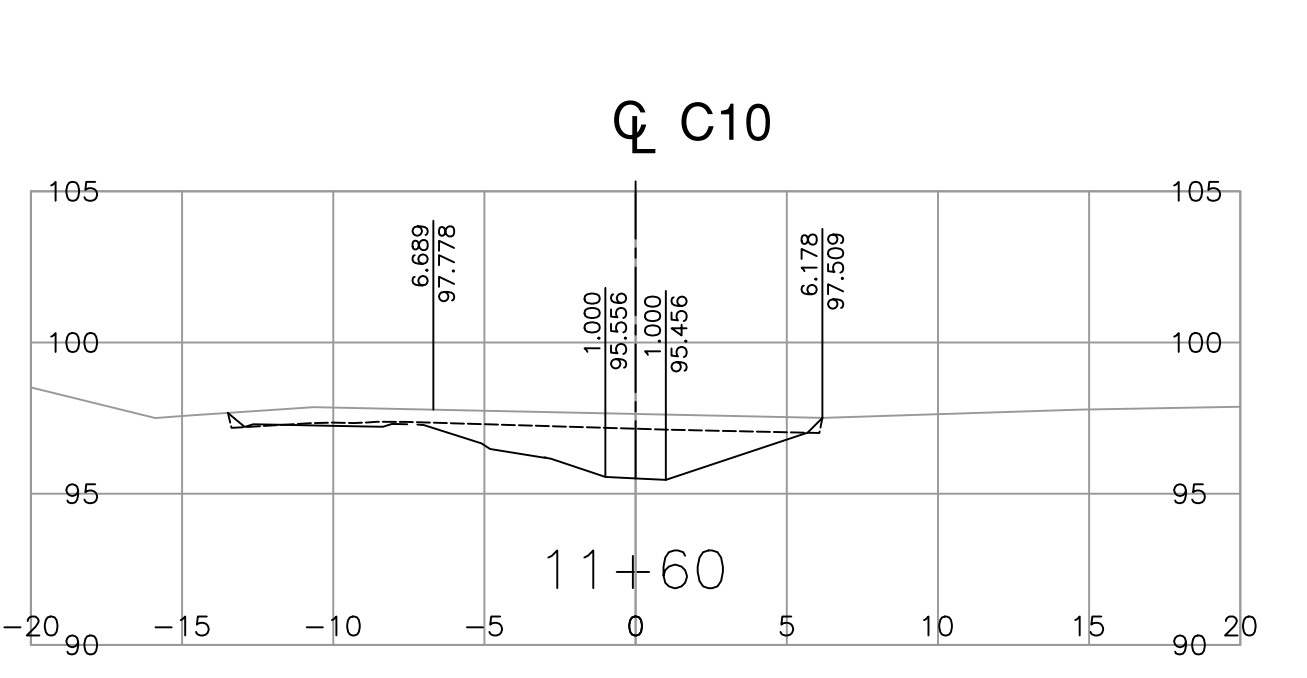
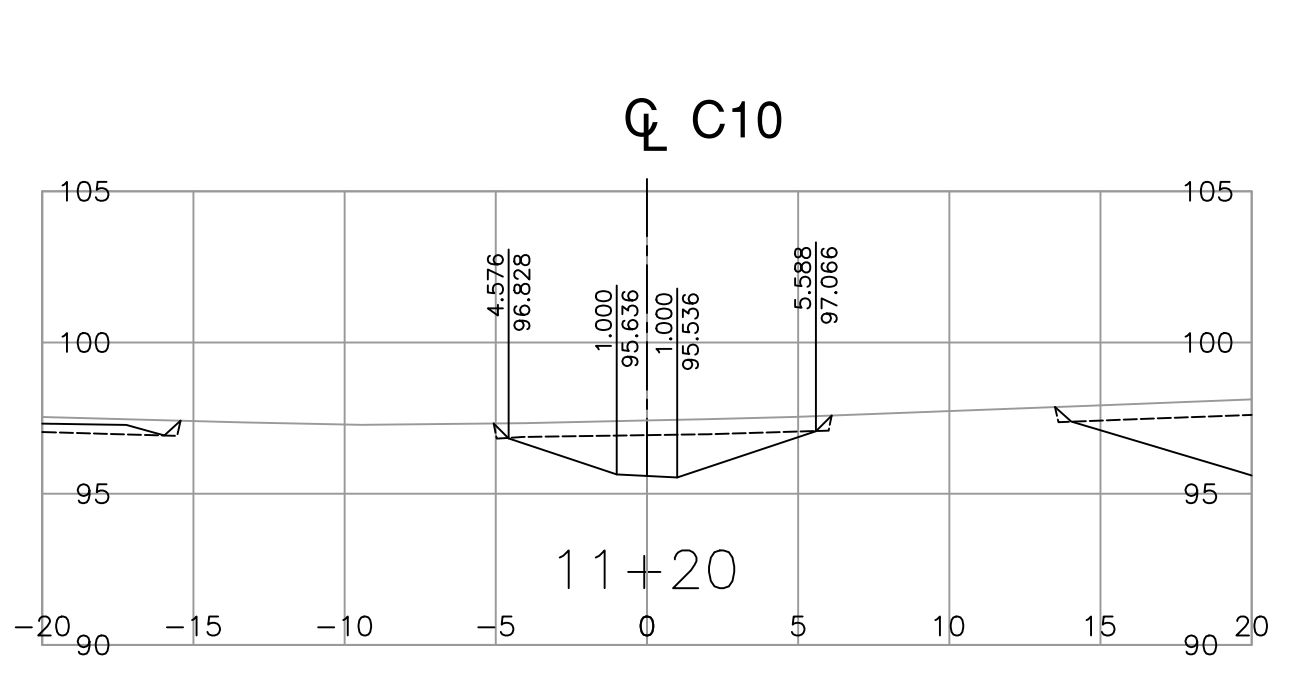
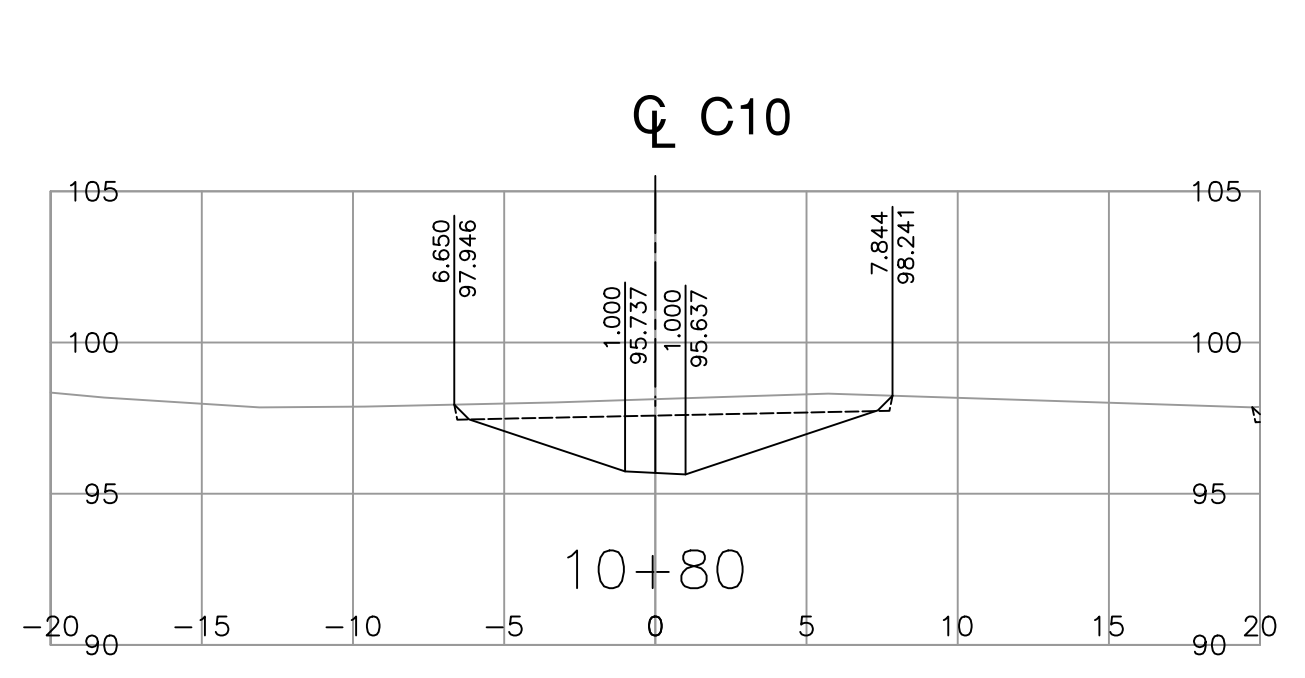
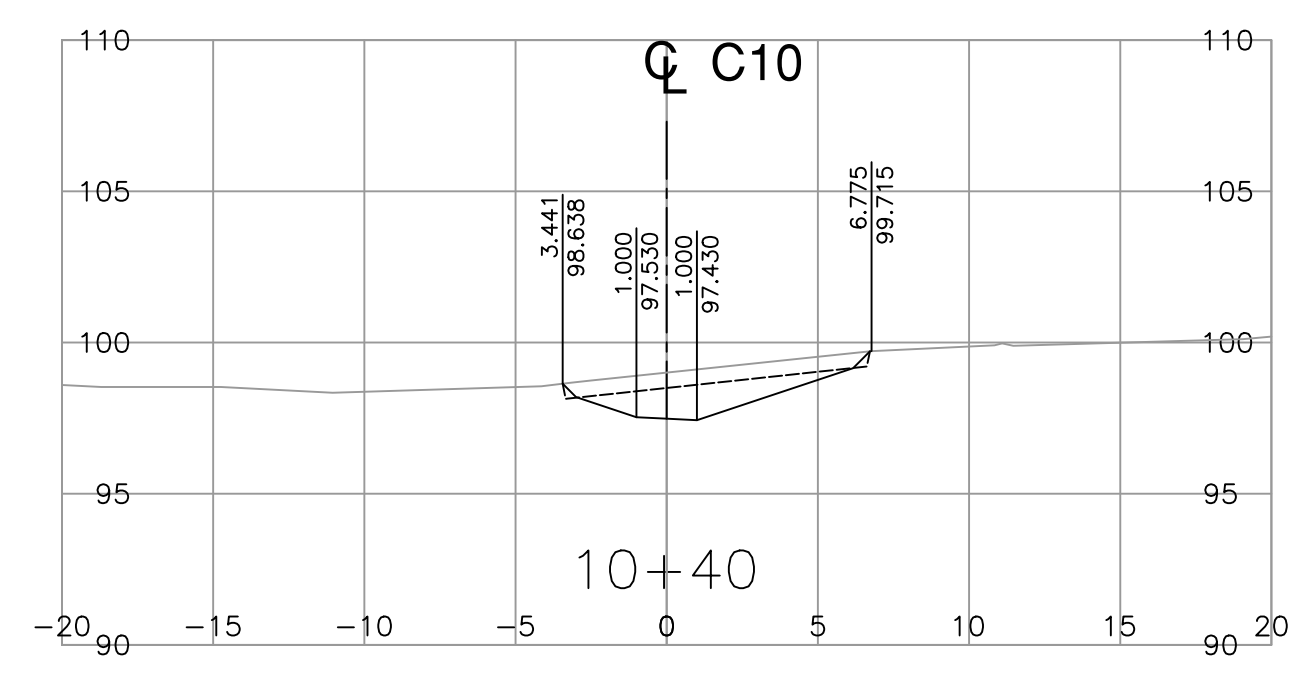


INFORMATION ON EXISTING UNDERGROUND FACILITIES MAY NOT BE COMPLETE OR ACCURATE. MCELHANNY, ITS EMPLOYEES AND DIRECTORS ARE NOT RESPONSIBLE NOR LIABLE FOR THE LOCATION OF ANY UNDERGROUND CONDUITS, PIPES, CABLES OR OTHER FACILITIES WHETHER SHOWN OR OMITTED FROM THIS PLAN. PRIOR TO CONSTRUCTION CONTRACTOR SHALL EXPOSE LOCATIONS OF ALL EXISTING FACILITIES BY HAND DIGGING OR HYDROVAC AND ADVISE THE ENGINEER OF POTENTIAL CONFLICTS.

FOR REFERENCE ONLY

McElhanney		Suite 200 888 Beatty Street Vancouver BC Canada V6B 1C1 Tel 604 683 8521		BRITISH COLUMBIA		MINISTRY OF TRANSPORTATION AND INFRASTRUCTURE		SOUTH COAST REGION HIGHWAY ENGINEERING AND GEOMATICS	
SCALE 0 2 1:250 12m		CAD FILENAME R1-1109-1000		FILE NUMBER 2121-00815-08		PLOT DATE 2/21/2024		CROSS SECTIONS	
HIGHWAY 1 - MAINLINE WEST		BRADNER NORTH ENVIRONMENTAL HABITAT ENHANCEMENT		DESIGNED R. HALPIN DATE 2024-02-23		QUALITY CONTROL J. MCKEE DATE 2024-02-23		QUALITY ASSURANCE K. LEGGETT DATE 2024-02-23	
DRAWN L. PARK DATE 2024-02-23		PROJECT NUMBER 13253-1001		REG 1		DRAWING NUMBER R1-1109-1002		REV	
J. MCKEE PROFESSIONAL OF RECORD EGBC PERMIT TO PRACTICE 1003299 DATE 2024-02-23									

PLOT DATE: 2024/02/21 X:\2121\2121-00815-05 MoTI - Offsite Environmental Habitat Enhancement Area\10.0 DRAWINGS\10.3 Engineering\BradnerNorth\DrawingProduction\1000_DesignSections\R1-1109-1000.dwg

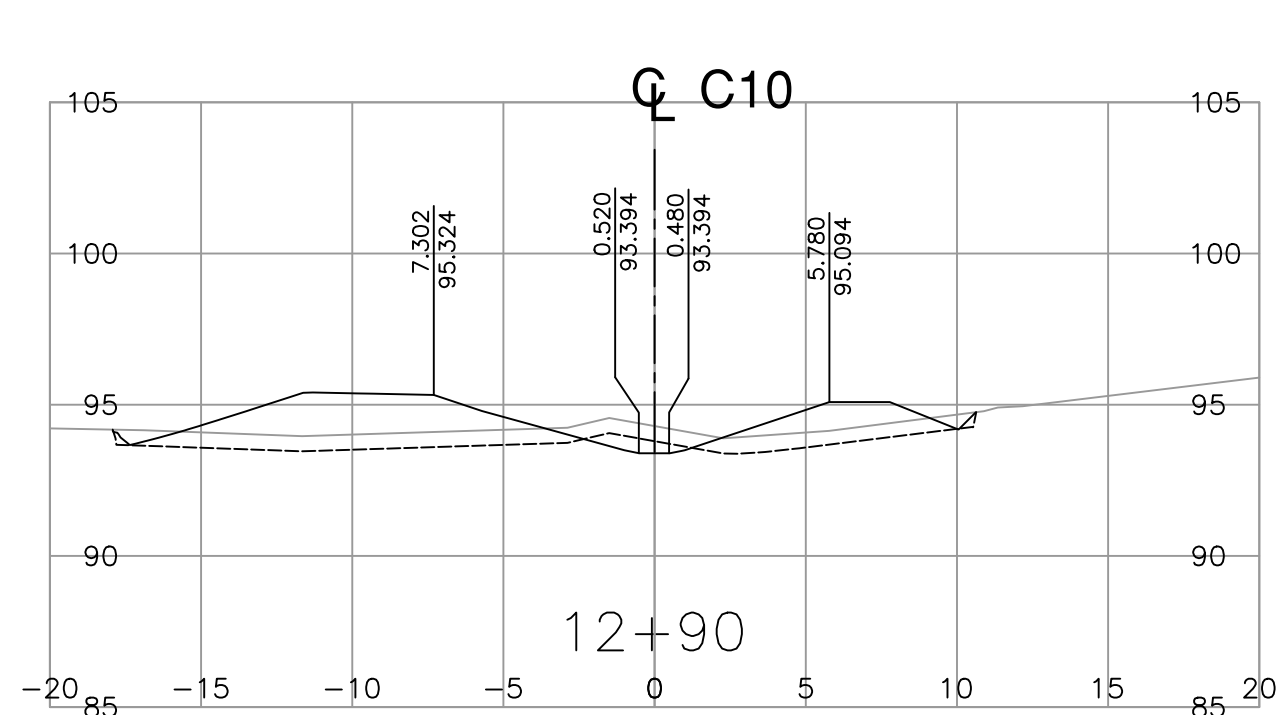
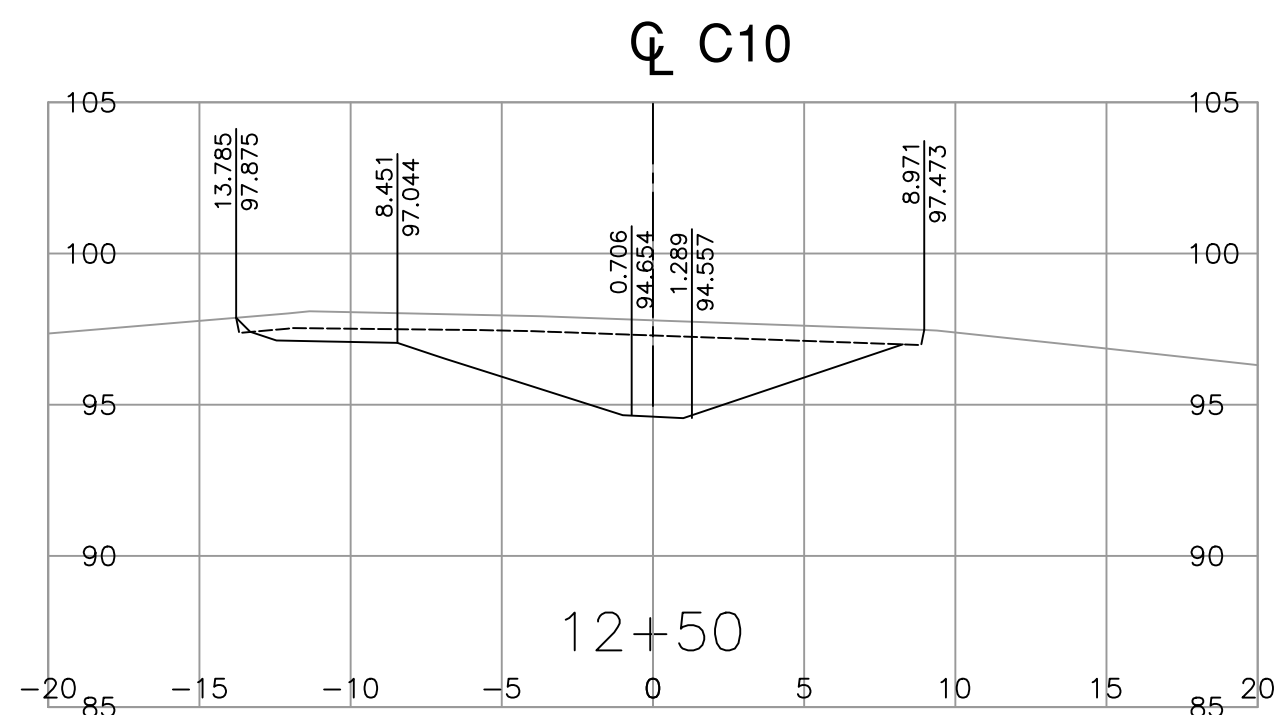
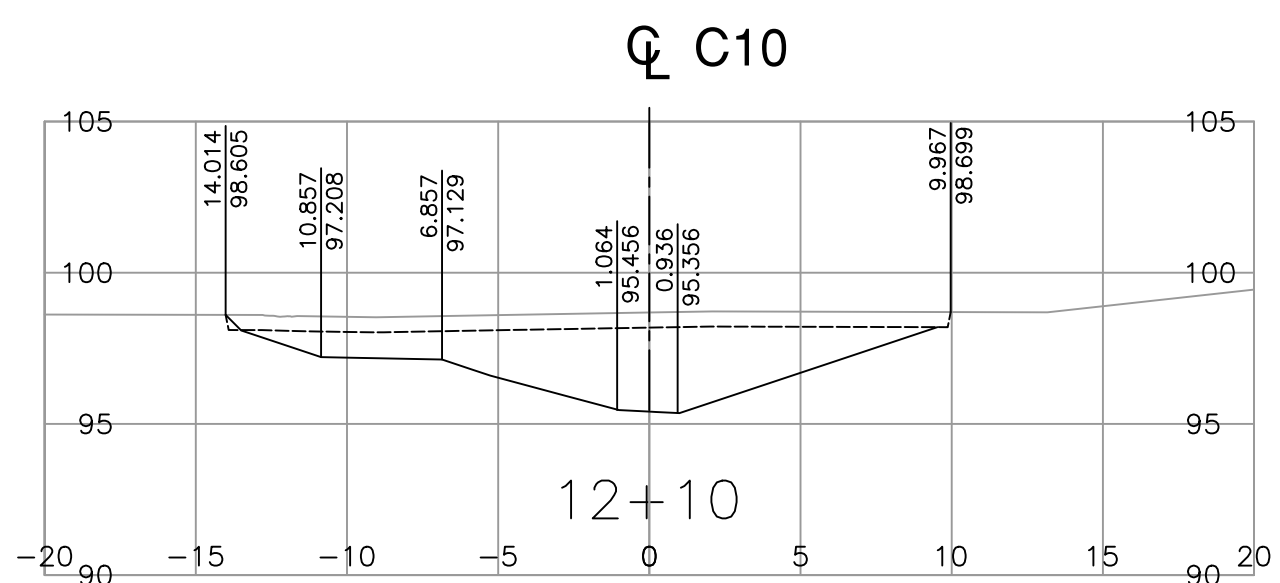
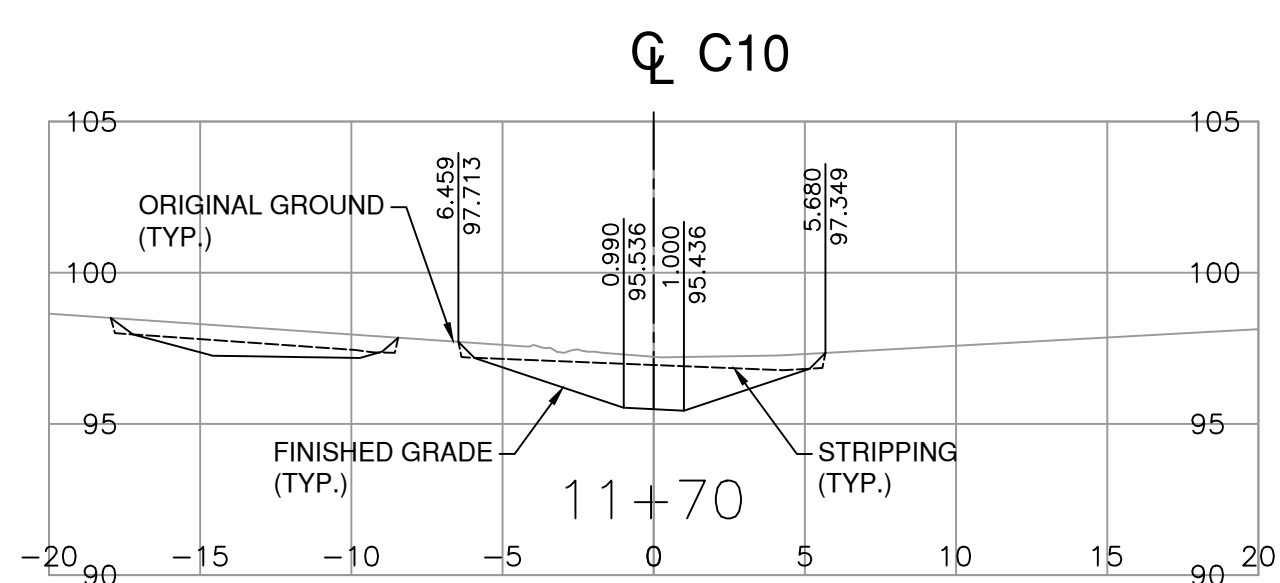
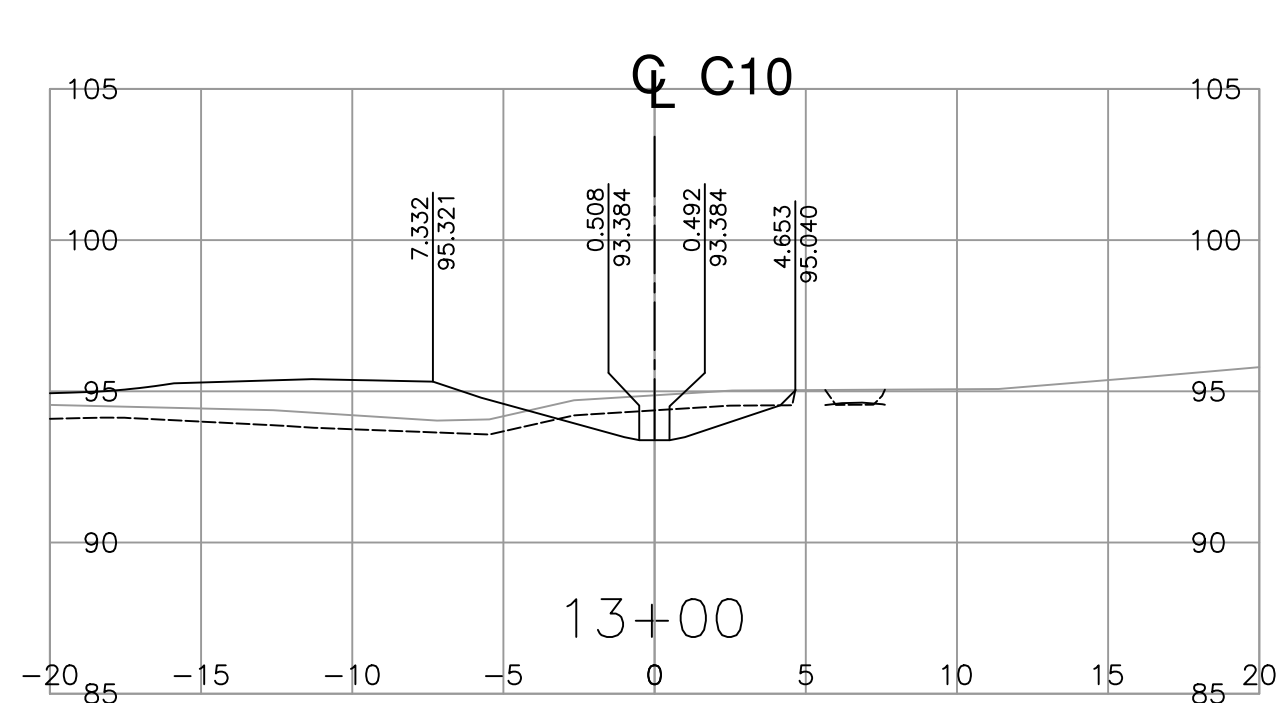
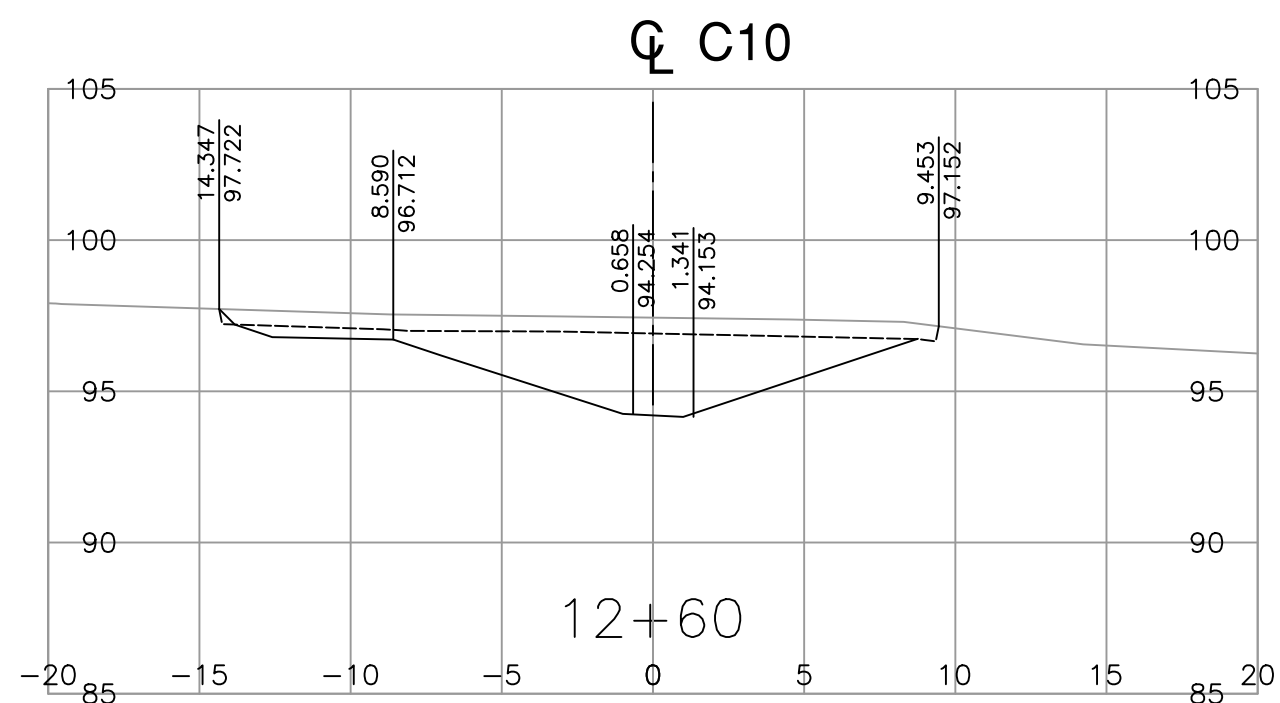
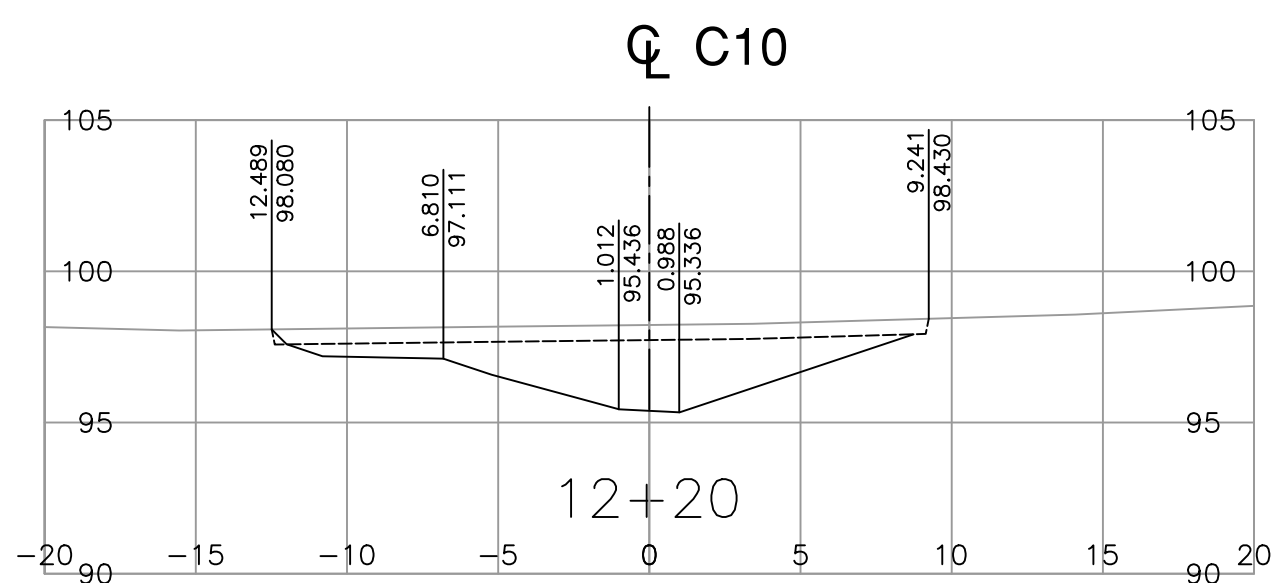
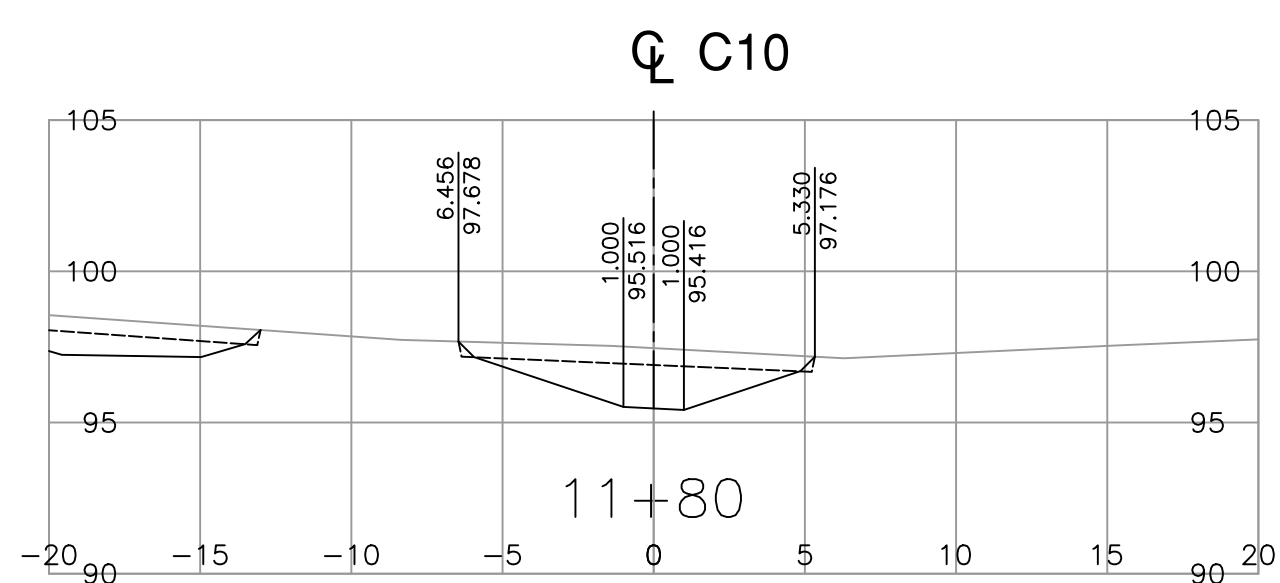
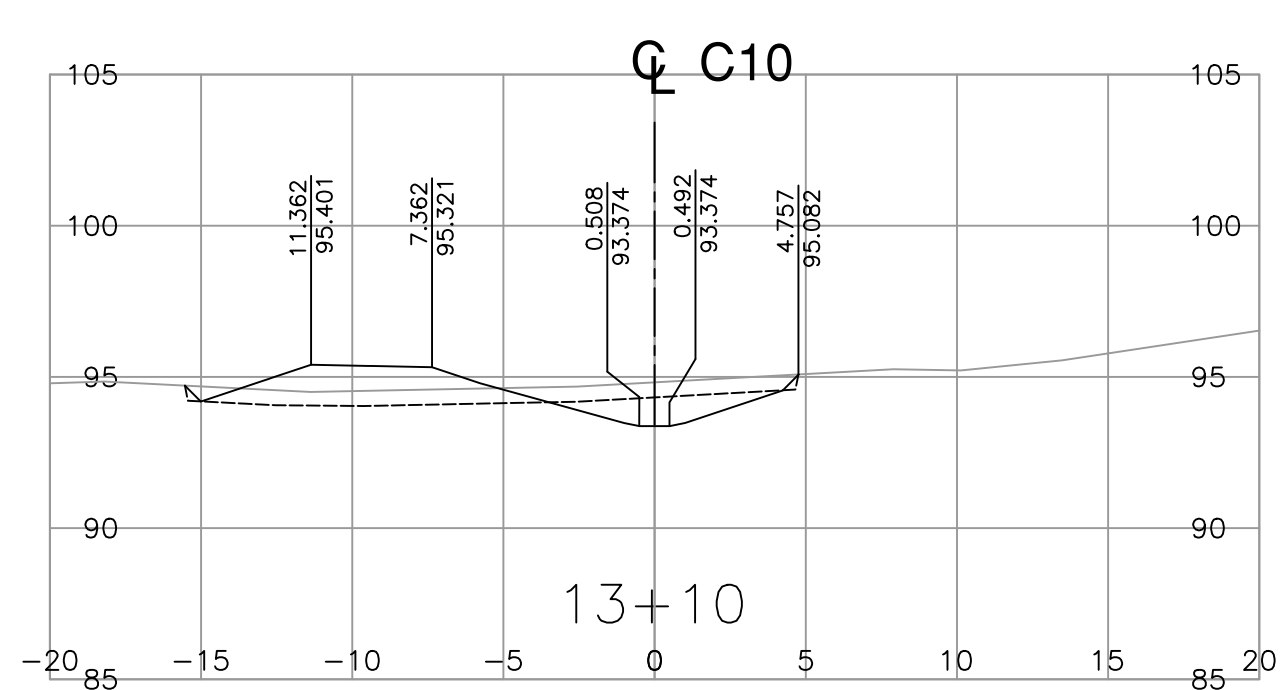
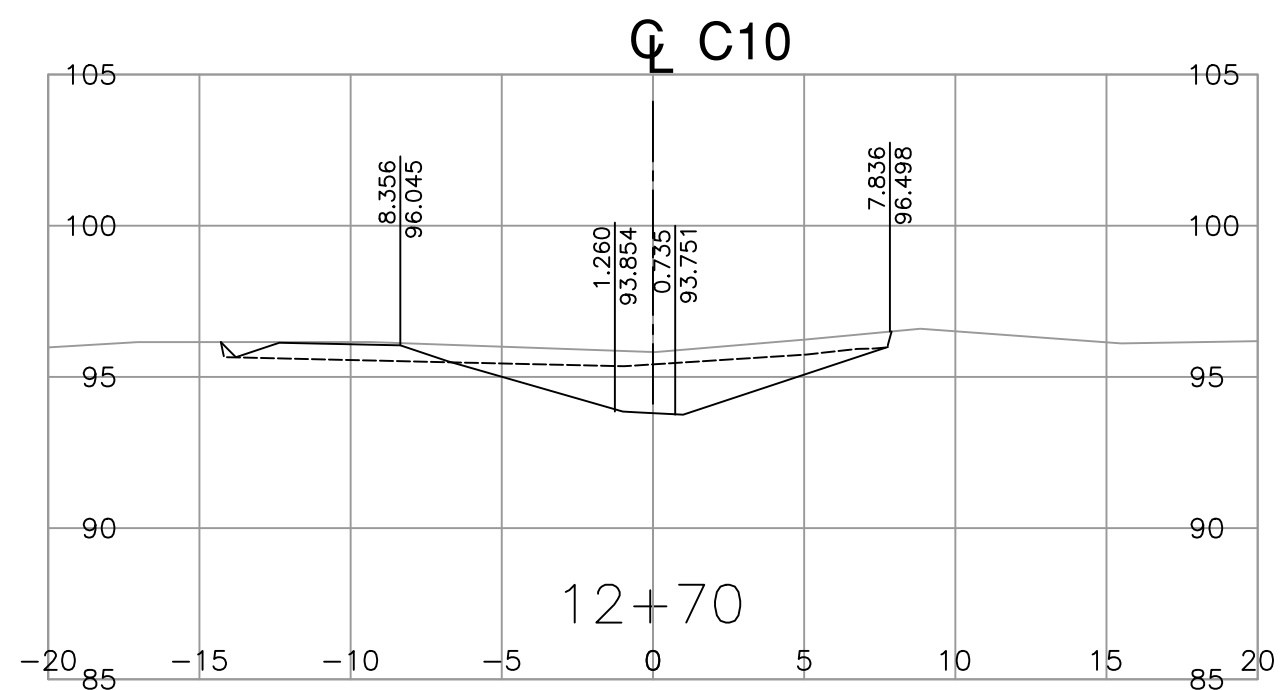
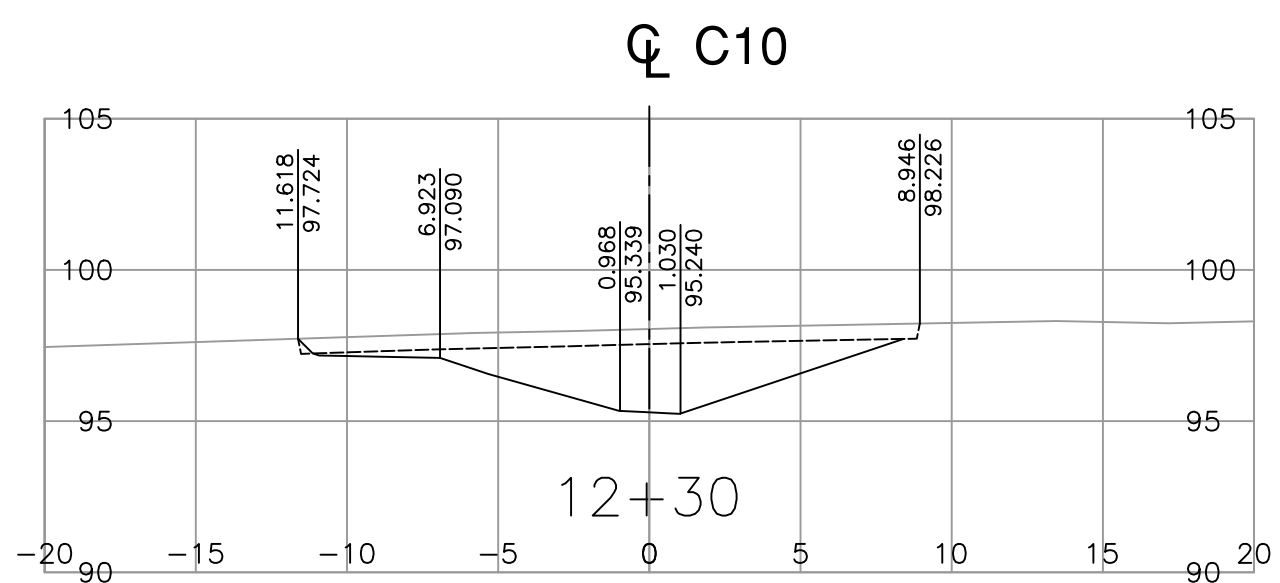
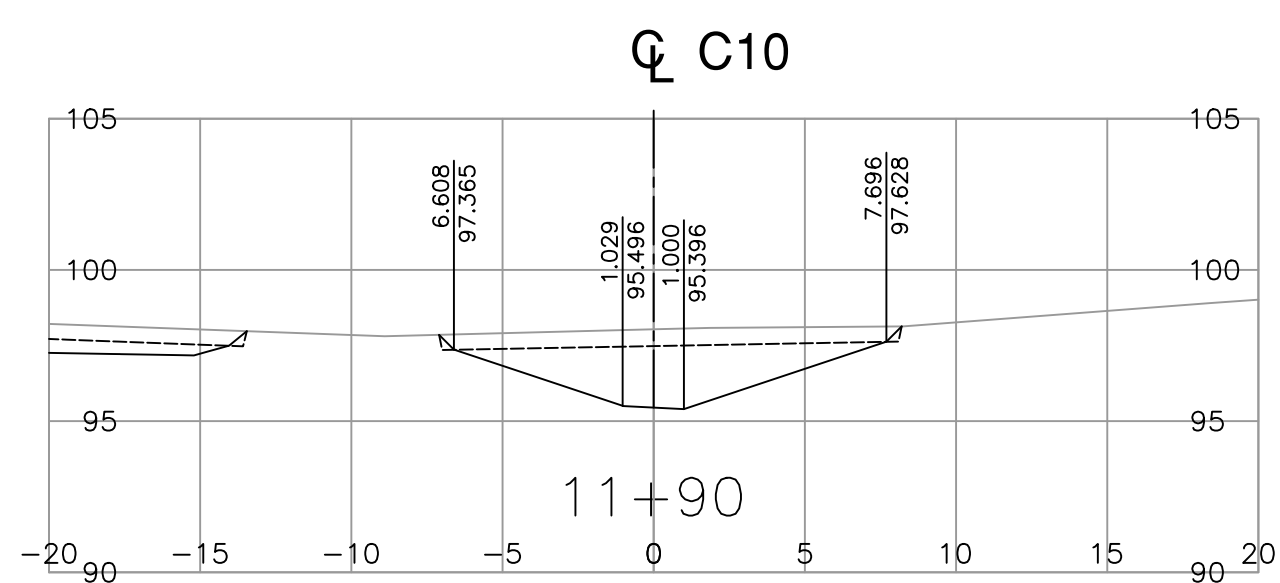
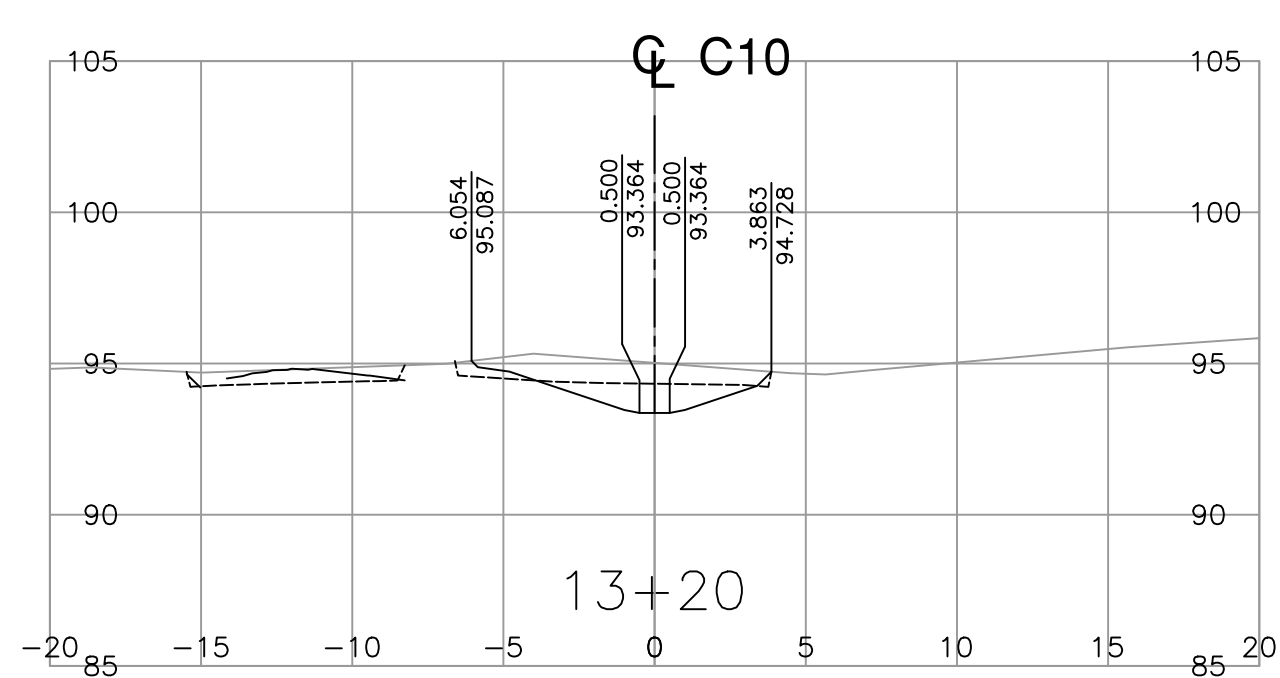
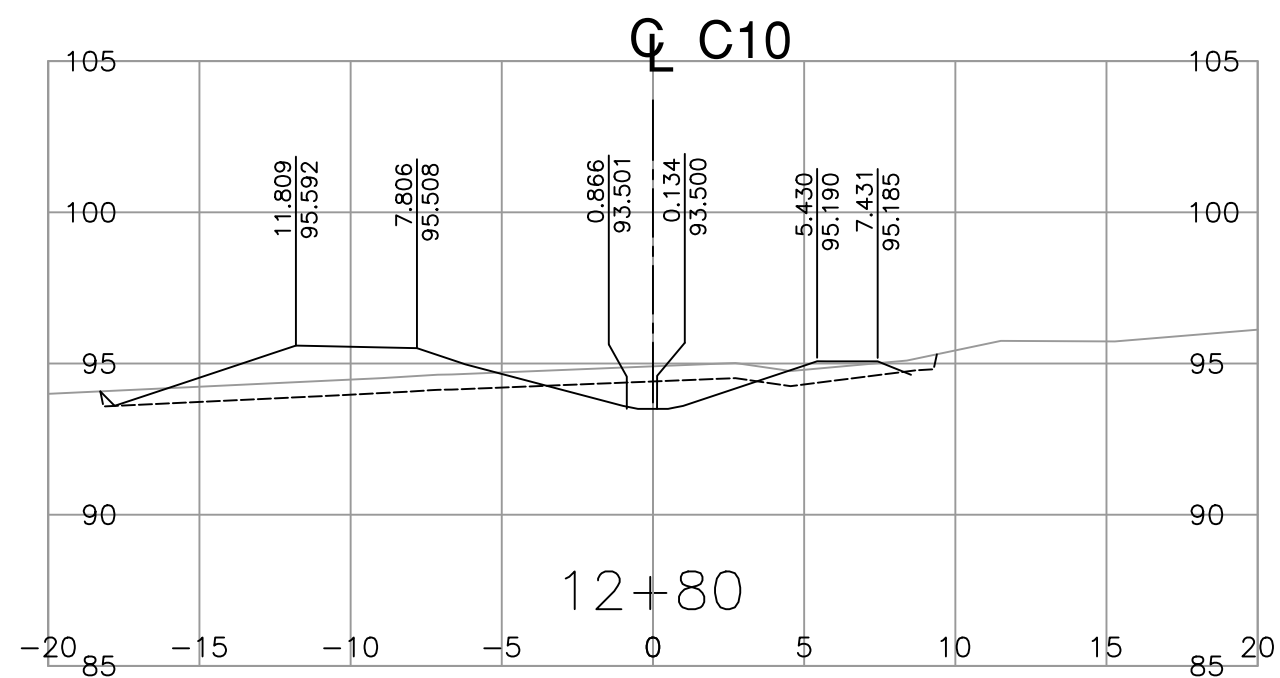
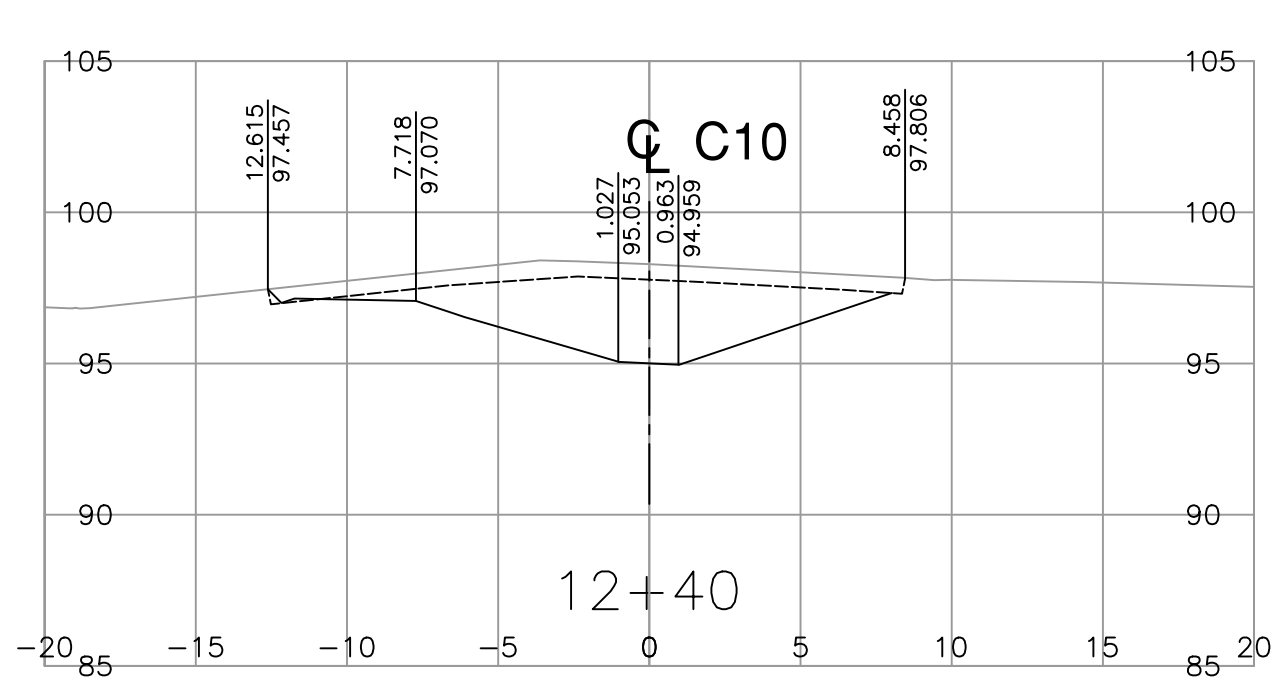
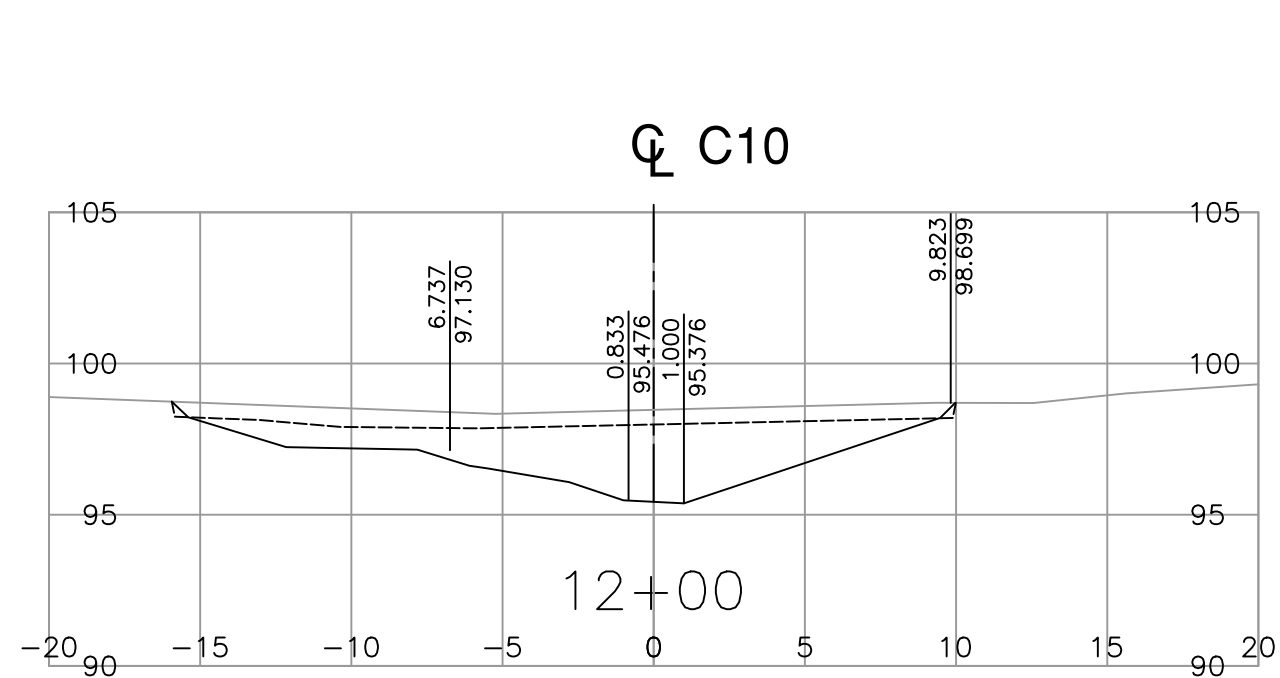


INFORMATION ON EXISTING UNDERGROUND FACILITIES MAY NOT BE COMPLETE OR ACCURATE. MCELHANNY, ITS EMPLOYEES AND DIRECTORS ARE NOT RESPONSIBLE NOR LIABLE FOR THE LOCATION OF ANY UNDERGROUND CONDUITS, PIPES, CABLES OR OTHER FACILITIES WHETHER SHOWN OR OMITTED FROM THIS PLAN. PRIOR TO CONSTRUCTION CONTRACTOR SHALL EXPOSE LOCATIONS OF ALL EXISTING FACILITIES BY HAND DIGGING OR HYDROVAC AND ADVISE THE ENGINEER OF POTENTIAL CONFLICTS.

FOR REFERENCE ONLY

		Suite 200 888 Beatty Street Vancouver BC Canada V6B 1C1 Tel 604 683 8521		BRITISH COLUMBIA		MINISTRY OF TRANSPORTATION AND INFRASTRUCTURE SOUTH COAST REGION HIGHWAY ENGINEERING AND GEOMATICS	
SCALE		CAD FILENAME: R1-1109-1000		FILE NUMBER: 2121-00815-08		CROSS SECTIONS HIGHWAY 1 - MAINLINE WEST BRADNER NORTH ENVIRONMENTAL HABITAT ENHANCEMENT	
		PLOT DATE: 2/21/2024					
REV	DATE	REVISIONS	NAME	DESIGNED: R. HALPIN DATE: 2024-02-23 QUALITY CONTROL: J. MCKEE DATE: 2024-02-23 QUALITY ASSURANCE: K. LEGGETT DATE: 2024-02-23 DRAWN: L. PARK DATE: 2024-02-23 PROJECT NUMBER: 13253-1001 REG: 1 DRAWING NUMBER: R1-1109-1003 J. MCKEE PROFESSIONAL OF RECORD EGBC PERMIT TO PRACTICE 1003299 DATE: 2024-02-23			

PLOT DATE: 2024/02/21 X:\2121\2121-00815-05 MoTI - Offsite Environmental Habitat Enhancement Area\10.0 DRAWINGS\10.3 Engineering\BradnerNorth\DrawingProduction\1000_DesignSections\R1-1109-1000.dwg

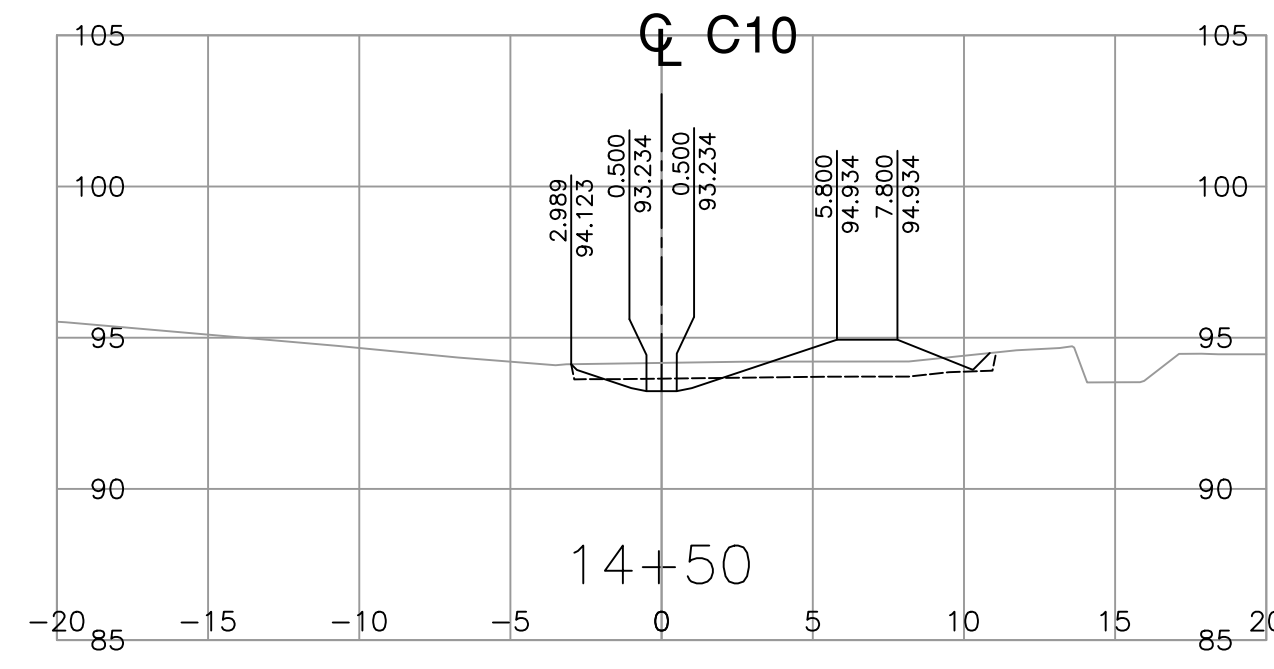
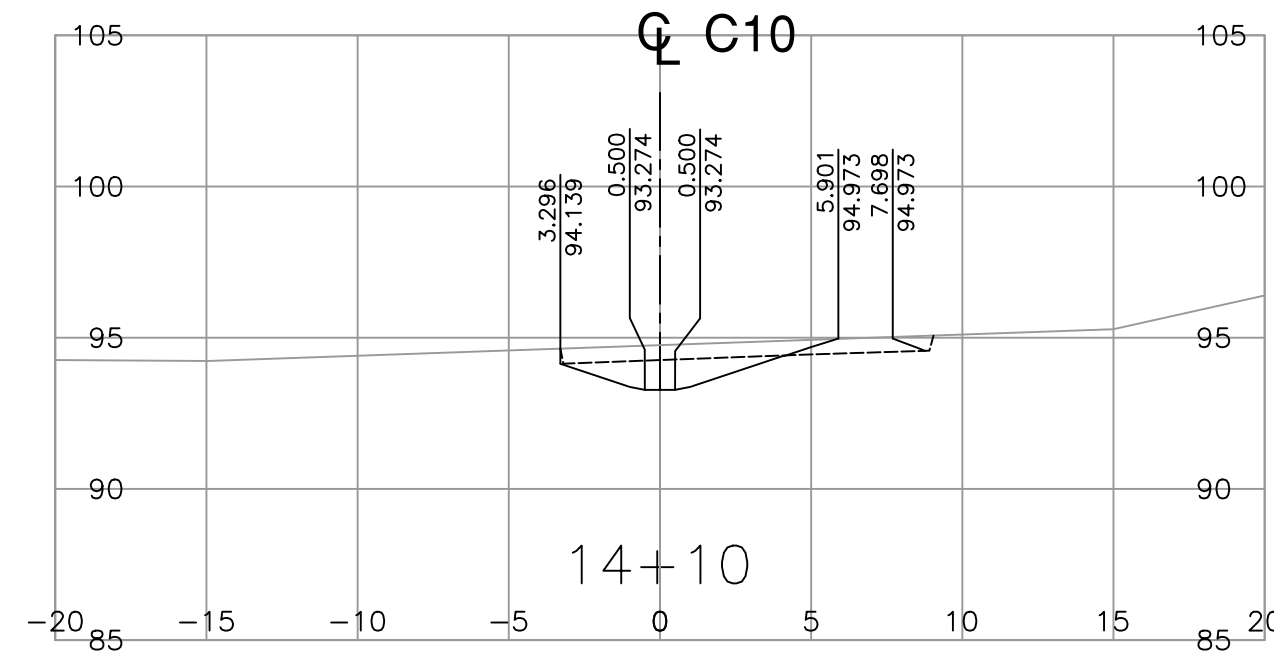
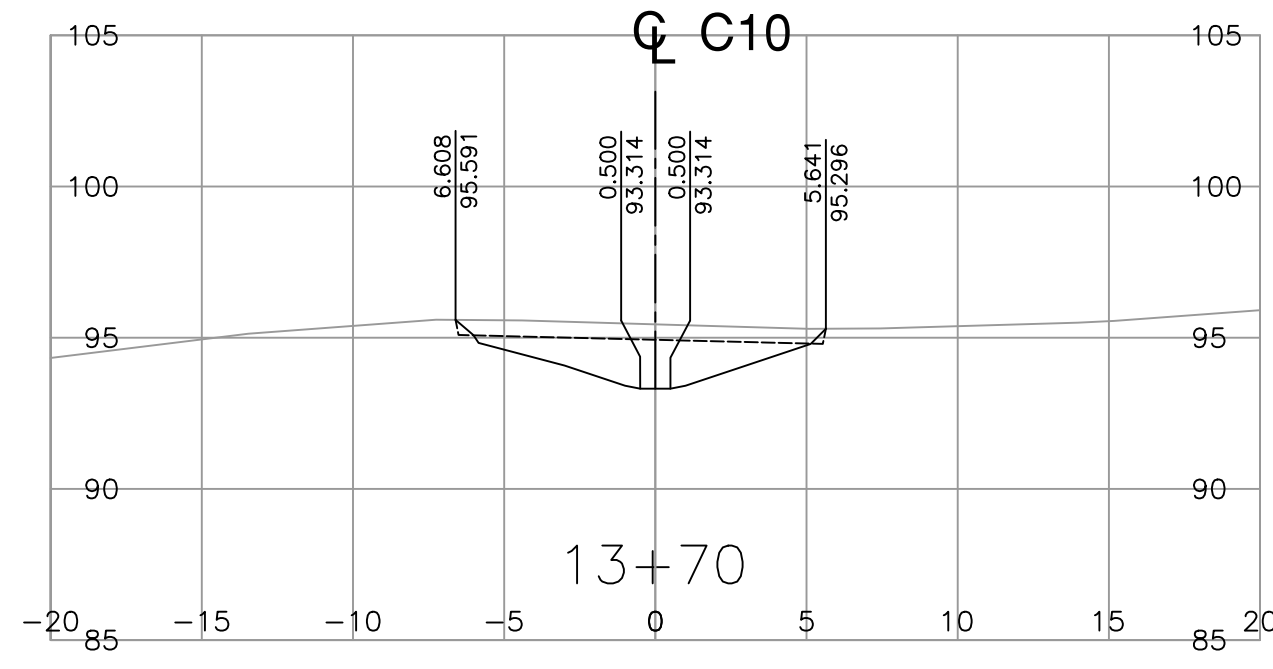
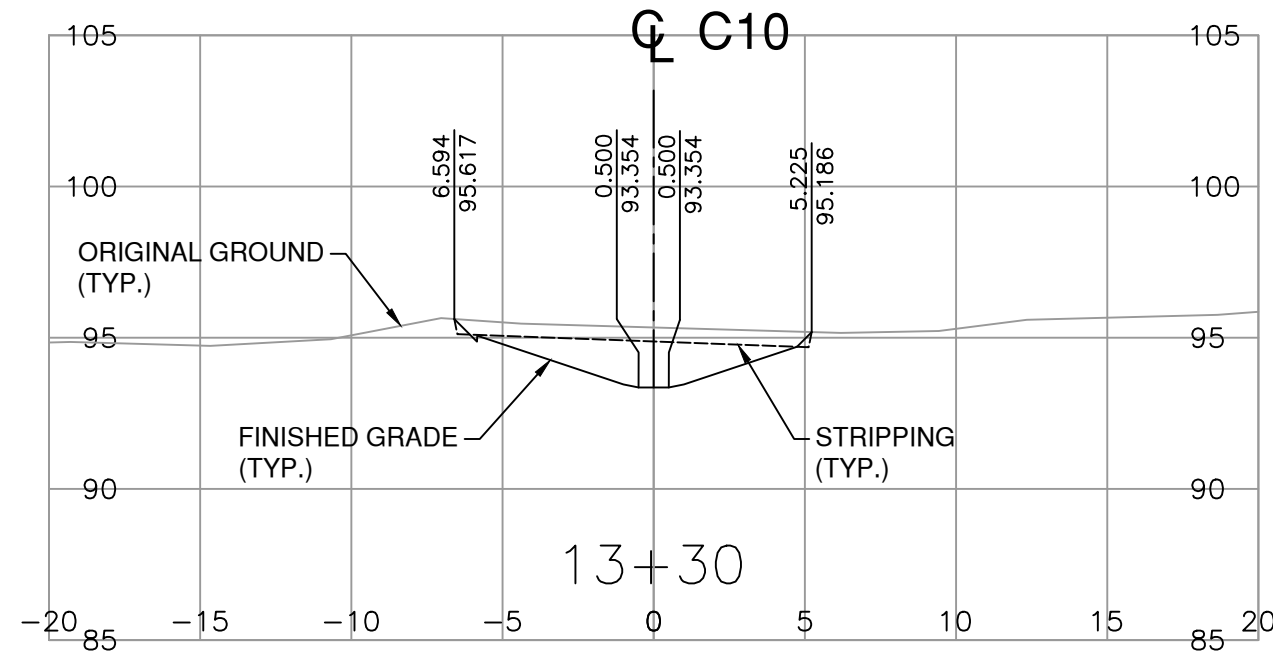
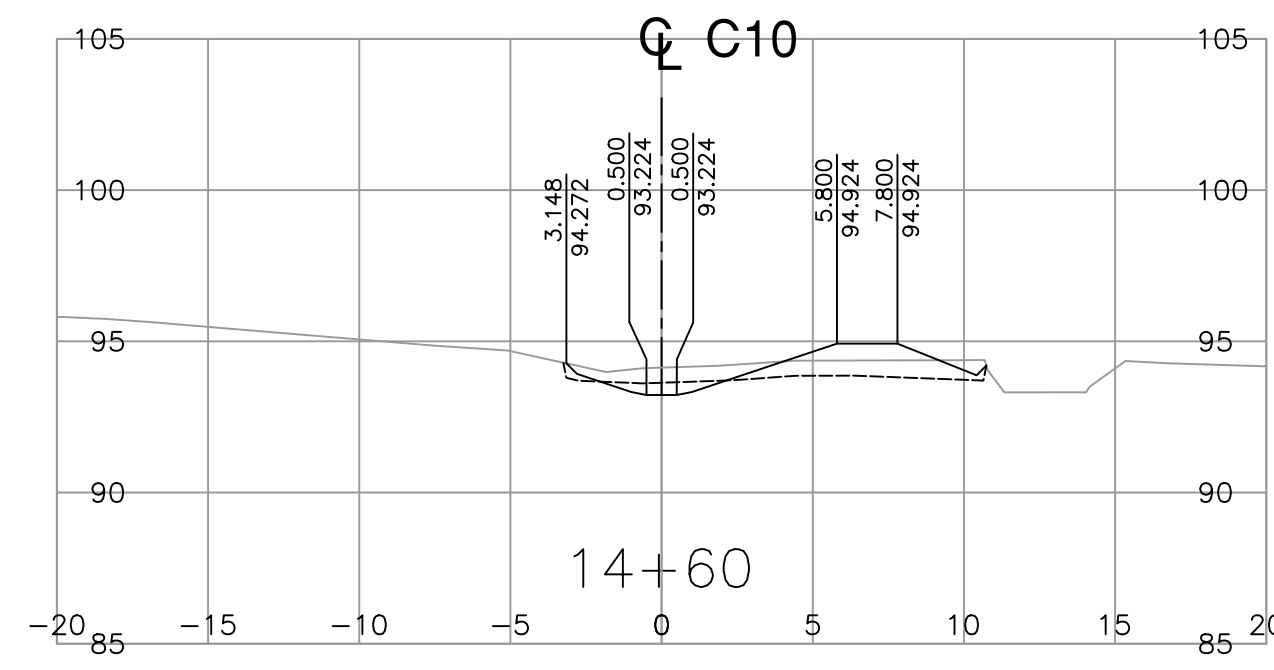
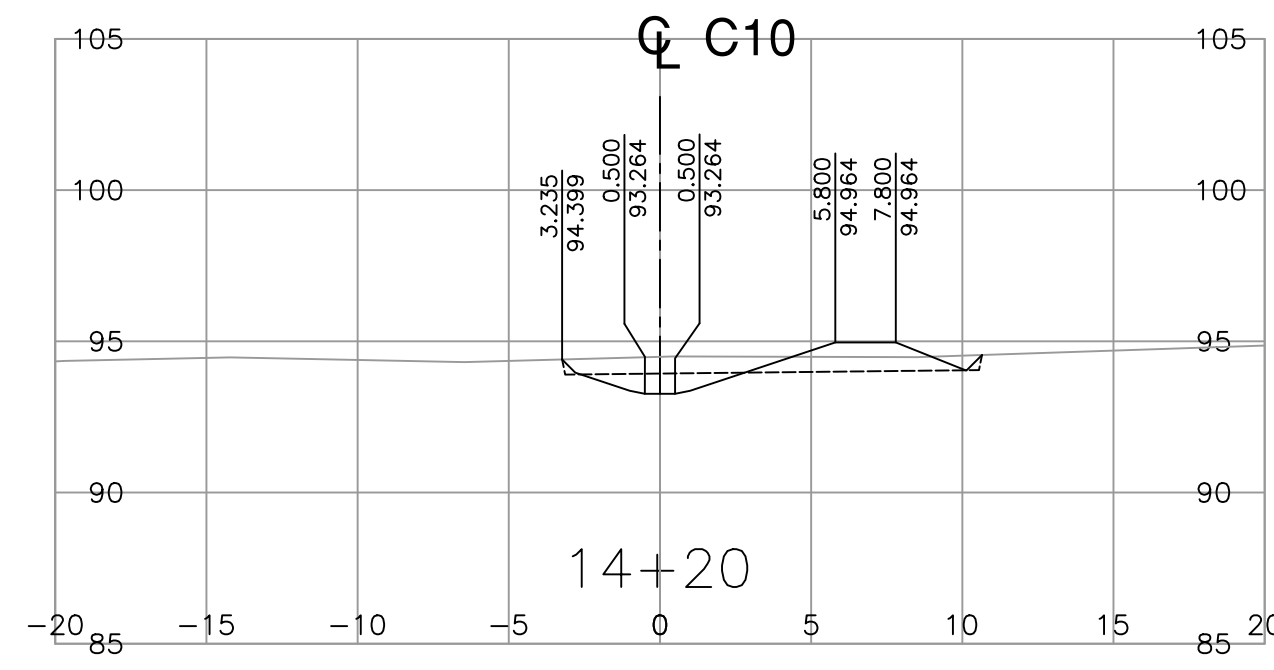
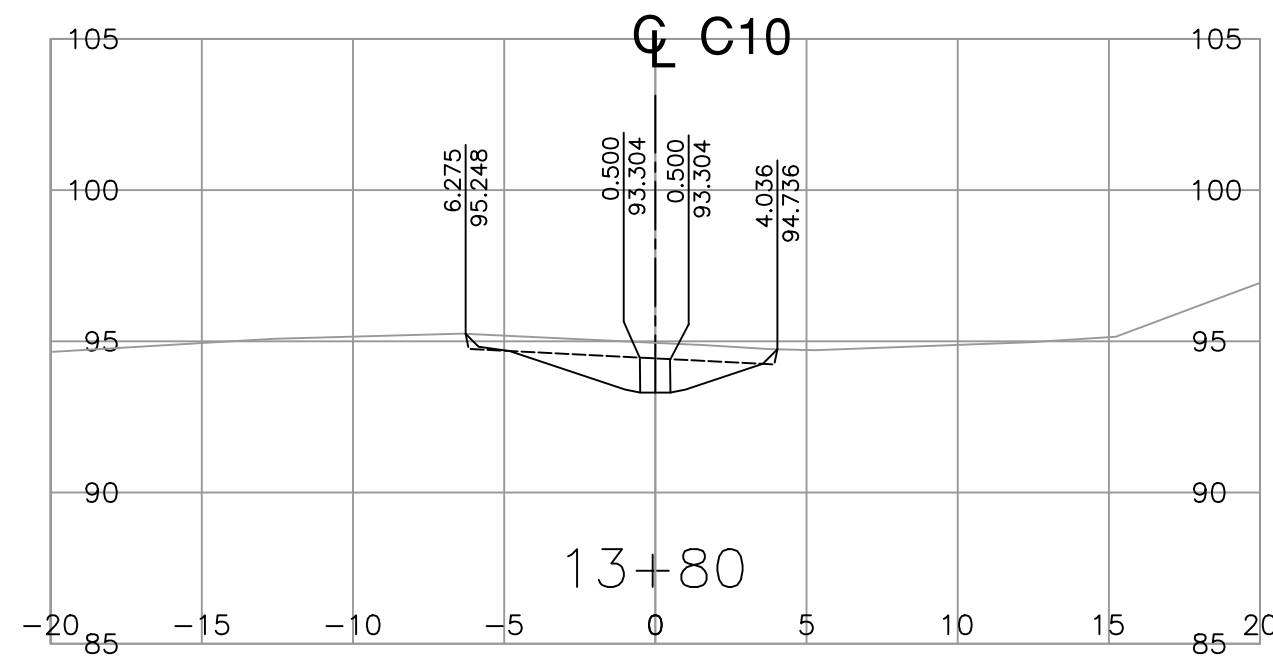
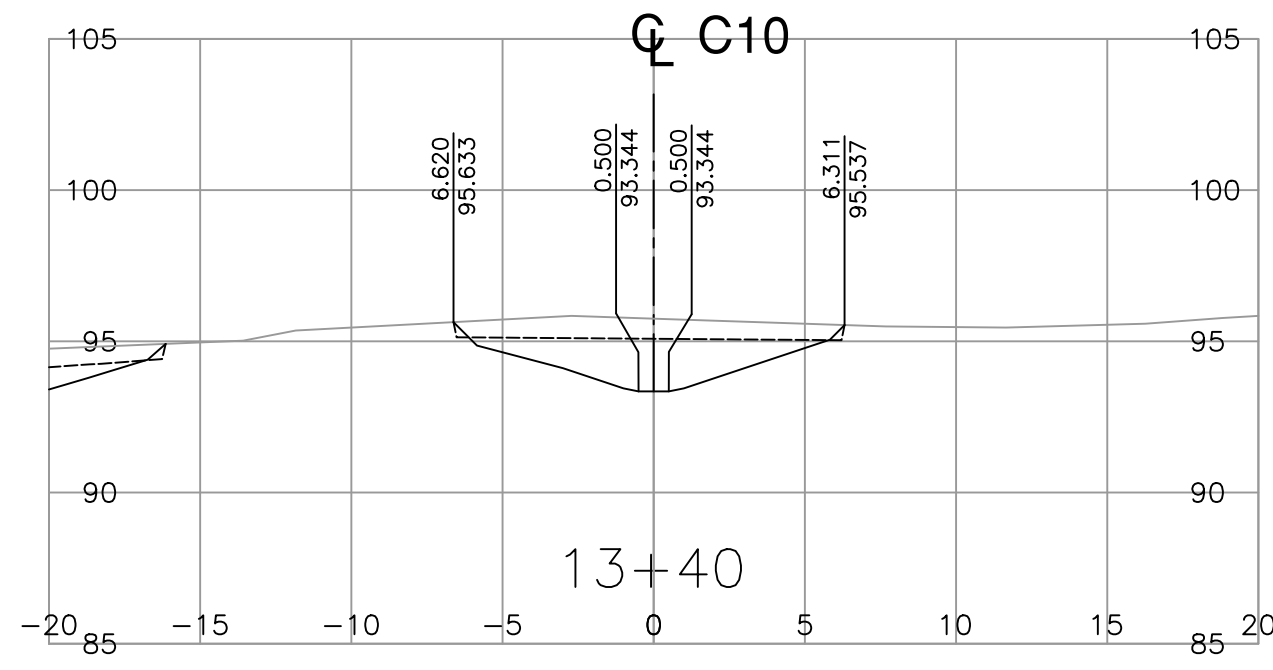
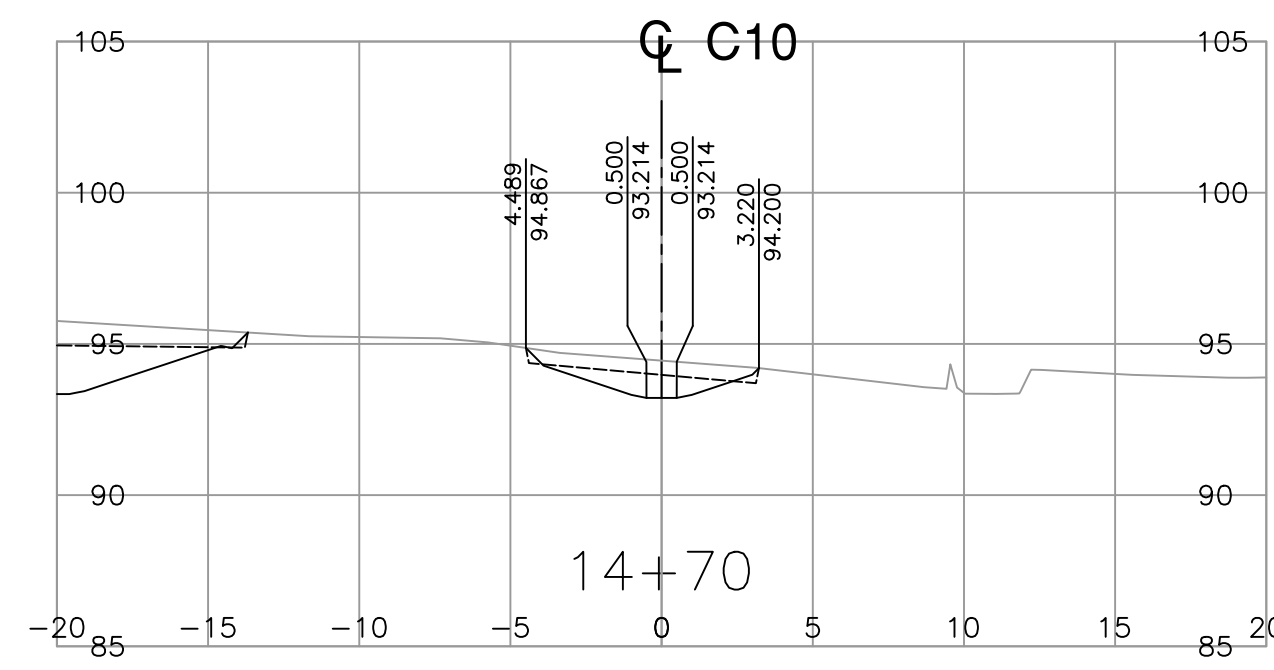
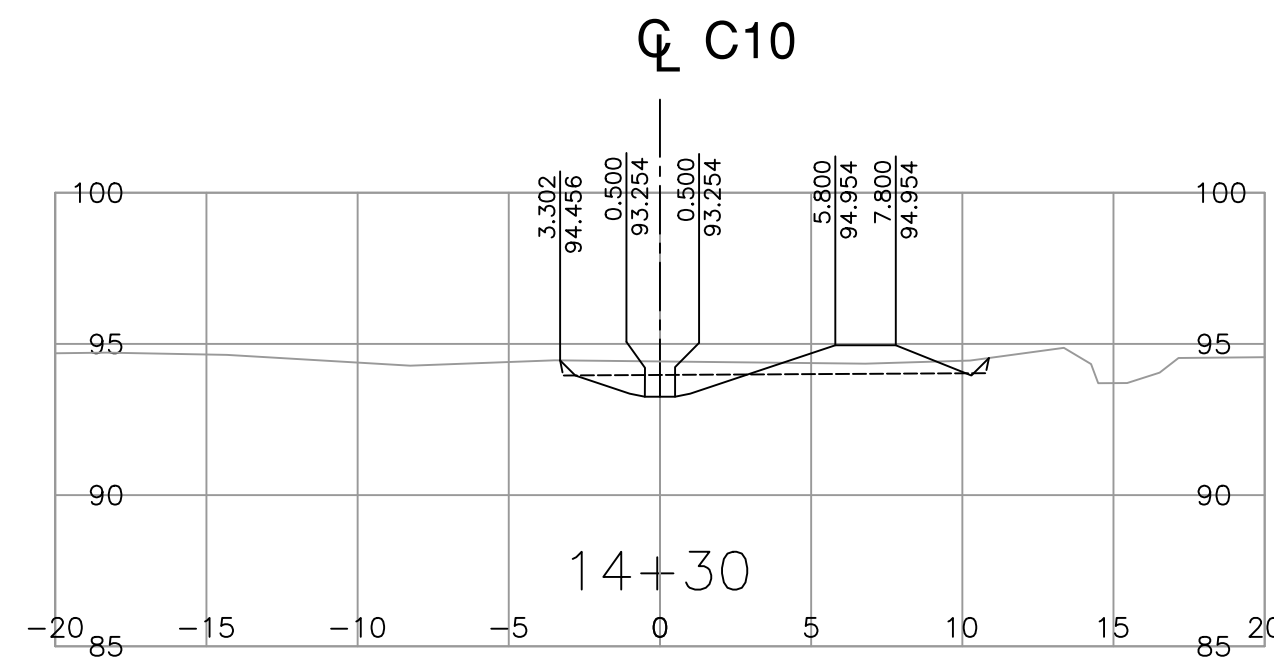
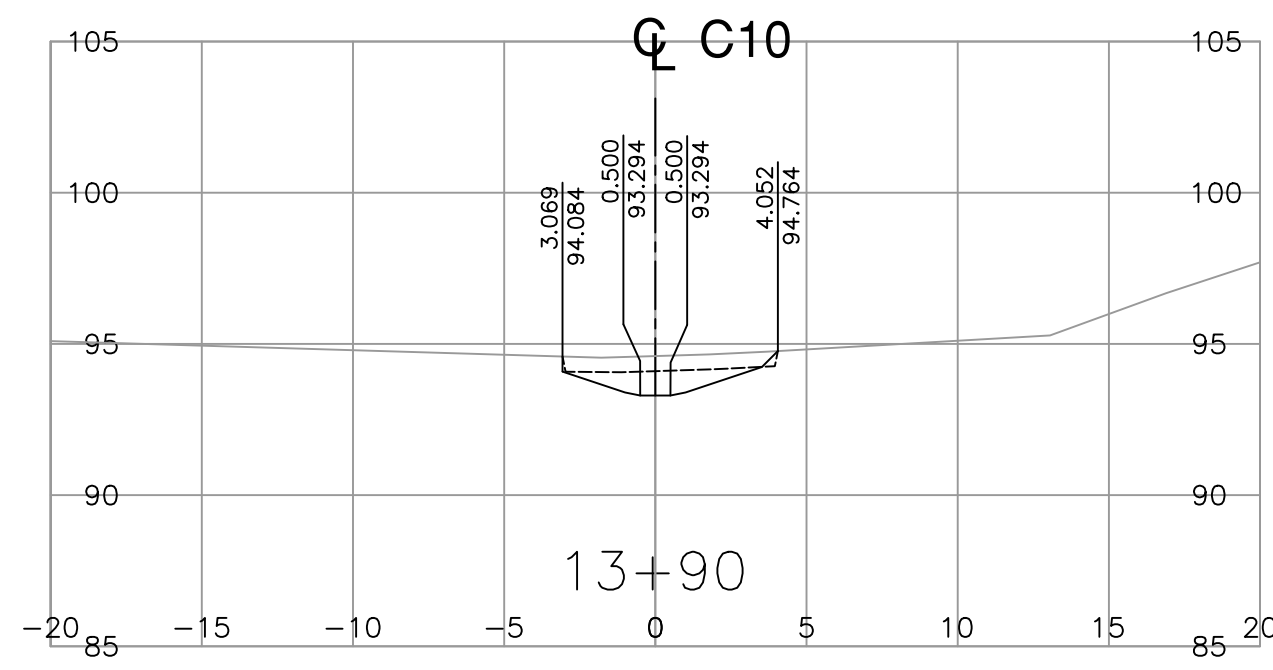
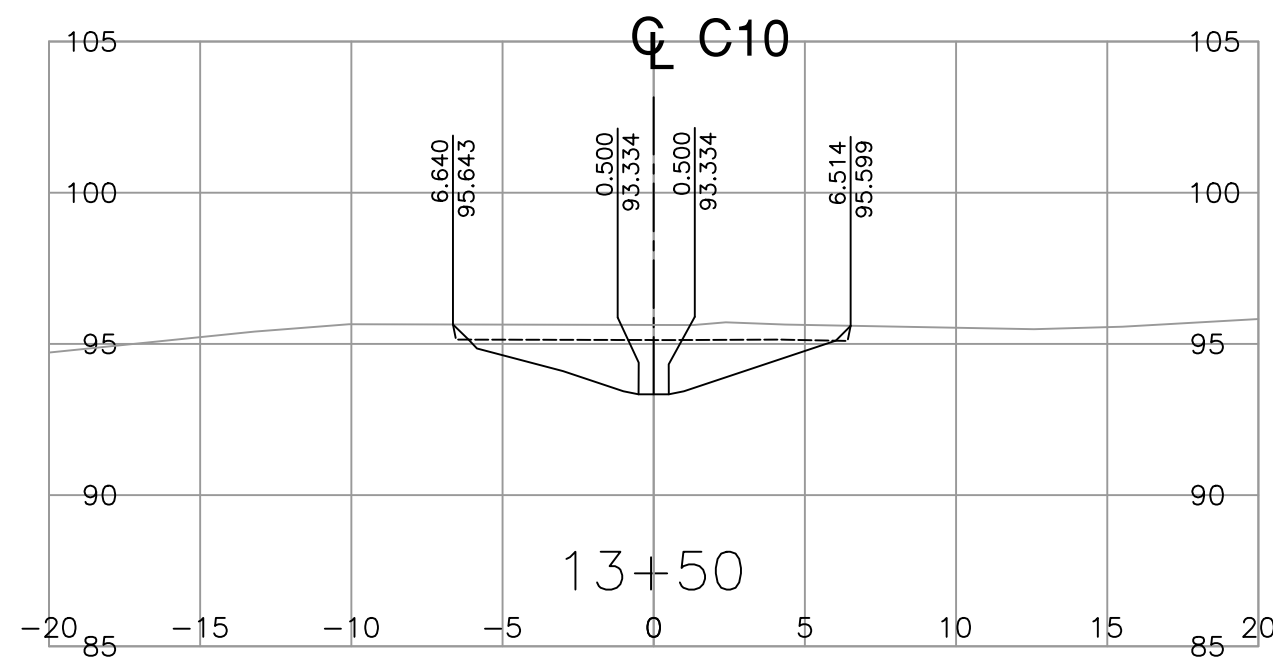
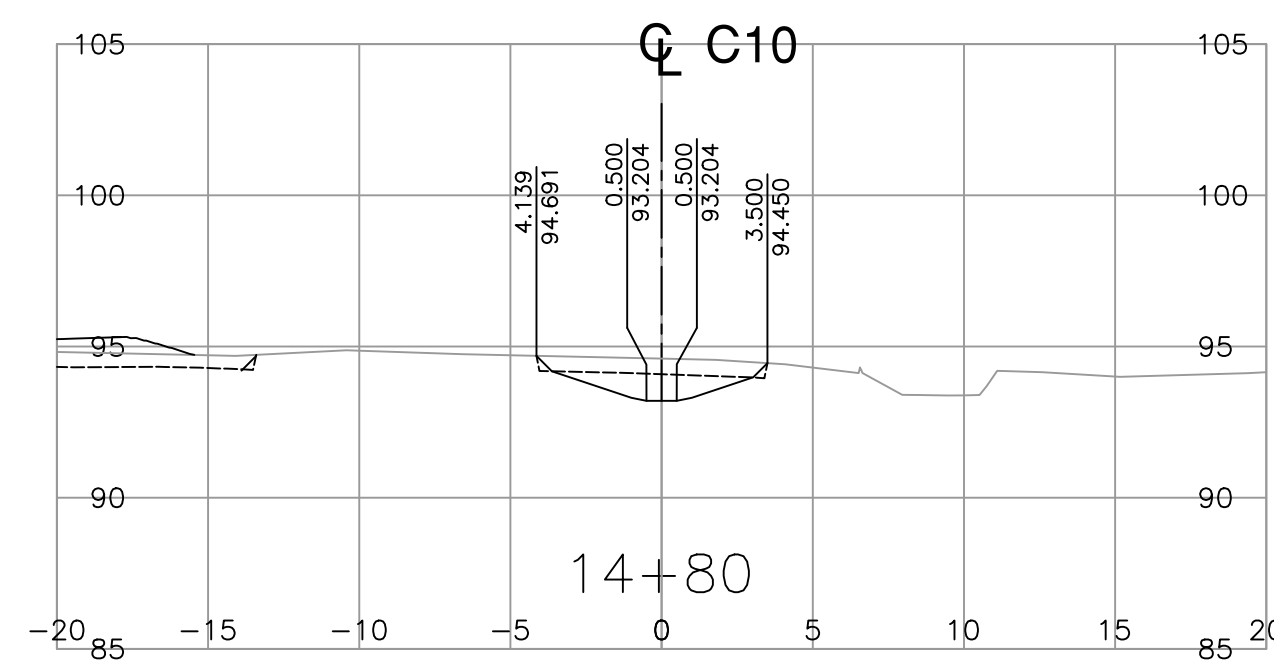
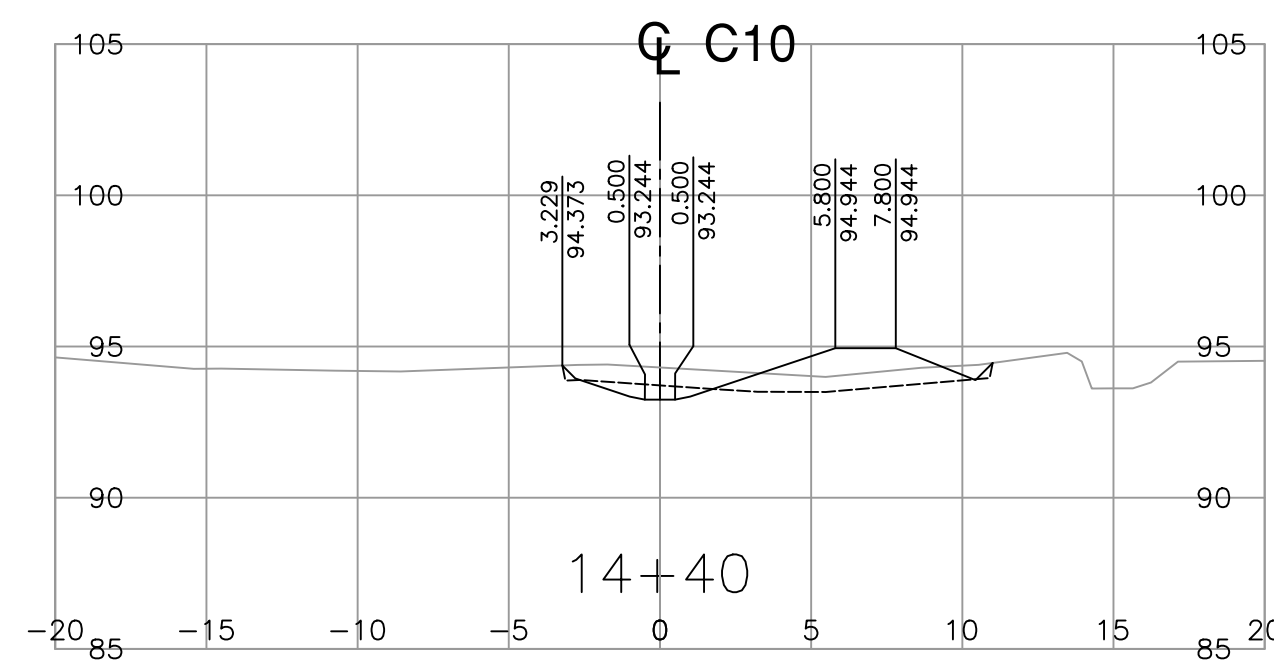
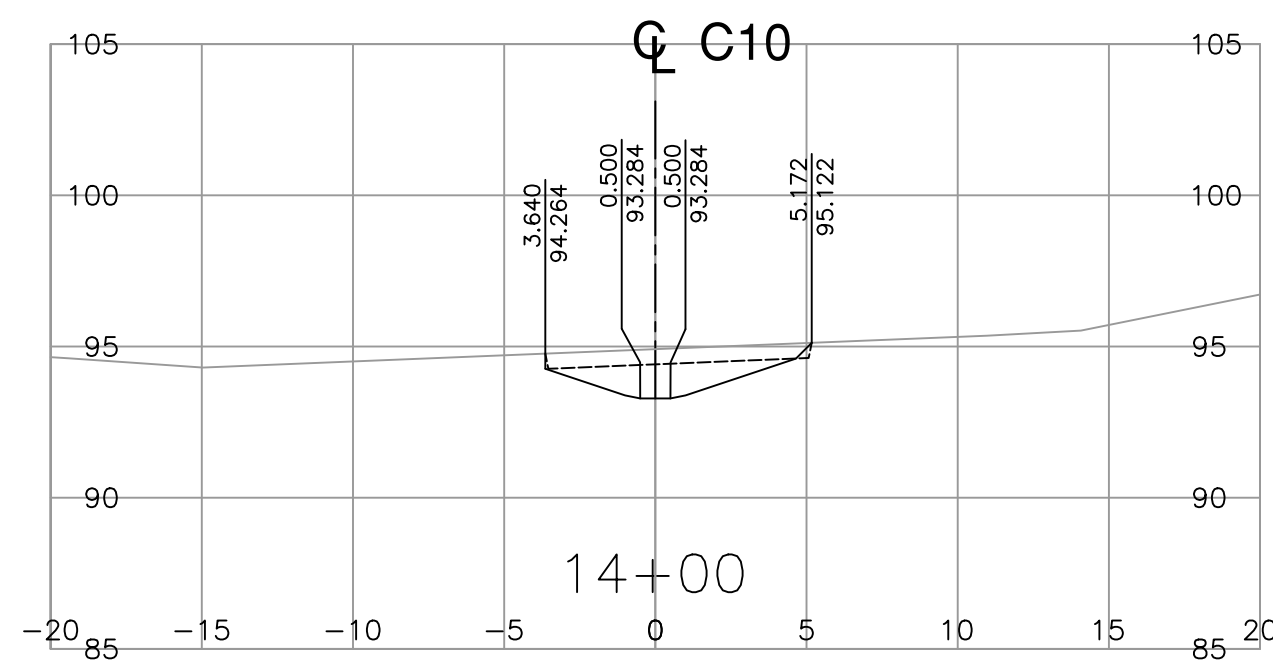
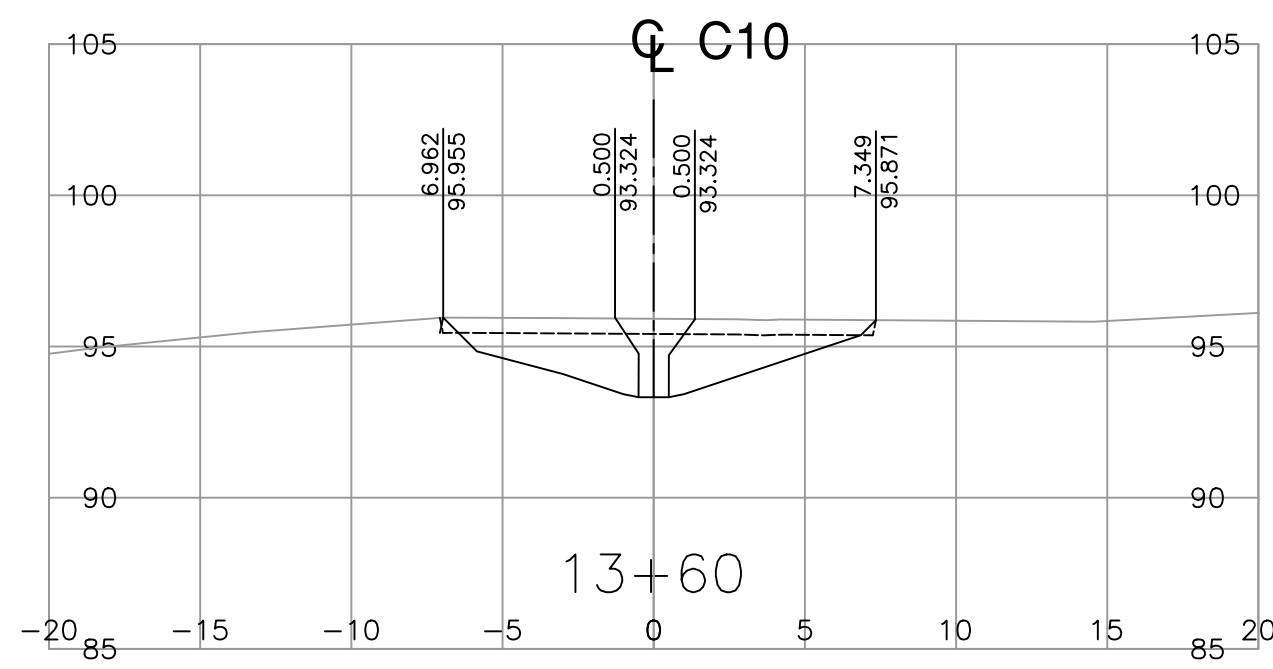


INFORMATION ON EXISTING UNDERGROUND FACILITIES MAY NOT BE COMPLETE OR ACCURATE. MCELHANNY, ITS EMPLOYEES AND DIRECTORS ARE NOT RESPONSIBLE NOR LIABLE FOR THE LOCATION OF ANY UNDERGROUND CONDUITS, PIPES, CABLES OR OTHER FACILITIES WHETHER SHOWN OR OMITTED FROM THIS PLAN. PRIOR TO CONSTRUCTION CONTRACTOR SHALL EXPOSE LOCATIONS OF ALL EXISTING FACILITIES BY HAND DIGGING OR HYDROVAC AND ADVISE THE ENGINEER OF POTENTIAL CONFLICTS.

FOR REFERENCE ONLY

McElhanney		Suite 200 888 Beatty Street Vancouver BC Canada V6B 1C1 Tel 604 683 8521		BRITISH COLUMBIA MINISTRY OF TRANSPORTATION AND INFRASTRUCTURE SOUTH COAST REGION HIGHWAY ENGINEERING AND GEOMATICS	
SCALE 0 2 1:250 12m		CAD FILENAME R1-1109-1000		CROSS SECTIONS HIGHWAY 1 - MAINLINE WEST BRADNER NORTH ENVIRONMENTAL HABITAT ENHANCEMENT	
		FILE NUMBER 2121-00815-08			
		PLOT DATE 2/21/2024			
REV	DATE	REVISIONS	NAME		
				DESIGNED R. HALPIN DATE 2024-02-23	
				QUALITY CONTROL J. MCKEE DATE 2024-02-23	
				QUALITY ASSURANCE K. LEGGETT DATE 2024-02-23	
				DRAWN L. PARK DATE 2024-02-23	
		PROJECT NUMBER 13253-1001		DRAWING NUMBER R1-1109-1004	
		REG 1		REV	
				J. MCKEE PROFESSIONAL OF RECORD EGBC PERMIT TO PRACTICE 1003299 DATE 2024-02-23	

PLOT DATE: 2024/02/21 X:\2121\2121-00815-05 MoTI - Offsite Environmental Habitat Enhancement Area\10.0 DRAWINGS\10.3 Engineering\BradnerNorth\DrawingProduction\1000_DesignSections\R1-1109-1000.dwg



INFORMATION ON EXISTING UNDERGROUND FACILITIES MAY NOT BE COMPLETE OR ACCURATE. MCELHANNY, ITS EMPLOYEES AND DIRECTORS ARE NOT RESPONSIBLE NOR LIABLE FOR THE LOCATION OF ANY UNDERGROUND CONDUITS, PIPES, CABLES OR OTHER FACILITIES WHETHER SHOWN OR OMITTED FROM THIS PLAN. PRIOR TO CONSTRUCTION CONTRACTOR SHALL EXPOSE LOCATIONS OF ALL EXISTING FACILITIES BY HAND DIGGING OR HYDROVAC AND ADVISE THE ENGINEER OF POTENTIAL CONFLICTS.

FOR REFERENCE ONLY

		Suite 200 888 Beatty Street Vancouver BC Canada V6B 1C1 Tel 604 683 8521		BRITISH COLUMBIA		MINISTRY OF TRANSPORTATION AND INFRASTRUCTURE SOUTH COAST REGION HIGHWAY ENGINEERING AND GEOMATICS		
SCALE		CAD FILENAME: R1-1109-1000 FILE NUMBER: 2121-00815-08 PLOT DATE: 2/21/2024		CROSS SECTIONS HIGHWAY 1 - MAINLINE WEST BRADNER NORTH ENVIRONMENTAL HABITAT ENHANCEMENT				
REV	DATE	REVISIONS	NAME	DESIGNED	R. HALPIN	DATE	2024-02-23	
				QUALITY CONTROL	J. McKEE	DATE	2024-02-23	
				QUALITY ASSURANCE	K. LEGGETT	DATE	2024-02-23	
				DRAWN	L. PARK	DATE	2024-02-23	
				J. McKEE PROFESSIONAL OF RECORD EGBC PERMIT TO PRACTICE 1003299 DATE: 2024-02-23	PROJECT NUMBER	13253-1001	DRAWING NUMBER	R1-1109-1005
				REG	1			

