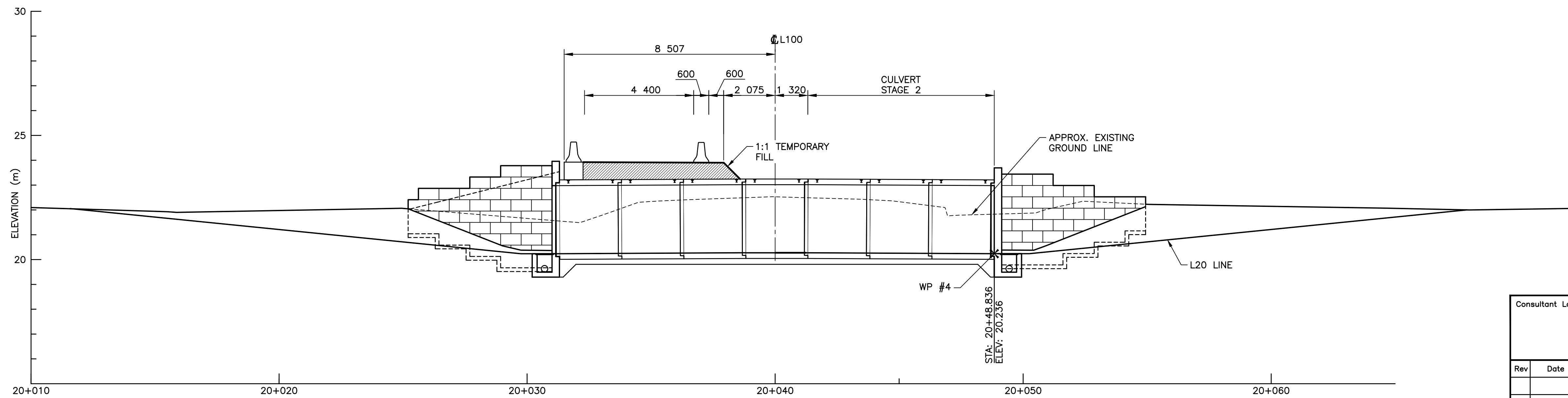


STAGE 1


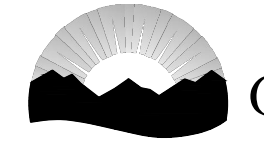


STAGE 2

PERMIT TO PRACTICE
ASSOCIATED ENGINEERING (B.C.) LTD.
PERMIT NUMBER: 1000163
Engineers & Geoscientists BC

REFERENCE DRAWING

BC MoTI STRUCTURE No. 10210

Consultant Logo			
			
Rev	Date	Description	Init
REVISIONS			
		Ministry of Transportation and Infrastructure South Coast Region	
LOWER MAINLAND DISTRICT			
MORRIS VALLEY ROAD PEDESTRIAN TUNNEL SUGGESTED CONSTRUCTION STAGING			
PREPARED UNDER THE DIRECTION OF CRAIG SCHAPER, P. ENG ENGINEER OF RECORD DATE: 2024-01-05		DESIGNED: N. KUCHERENKO DATE: 2024-01-05 CHECKED: C. SCHAPER/D. TEAL DATE: 2024-01-05 DRAWN: J. MORO DATE: 2024-01-05 SCALE: AS SHOWN NEGATIVE No.	
FILE No.	PROJECT No.	REG.	DRAWING No.
	13239-0001	1	R1-930-905