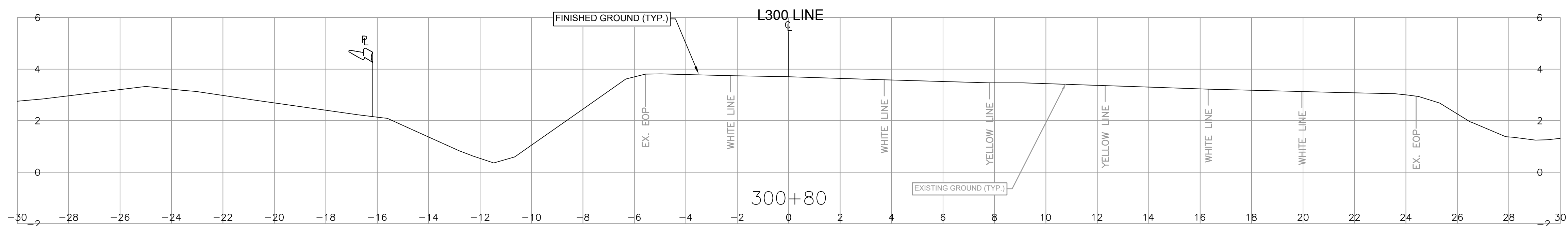
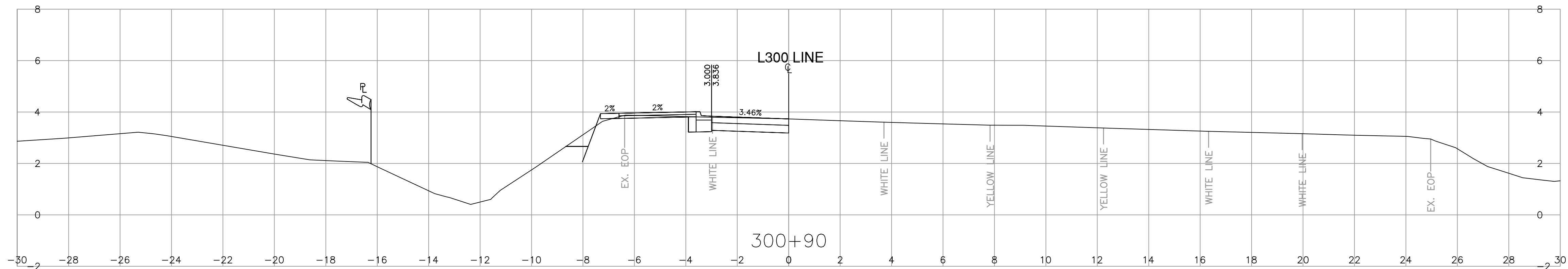
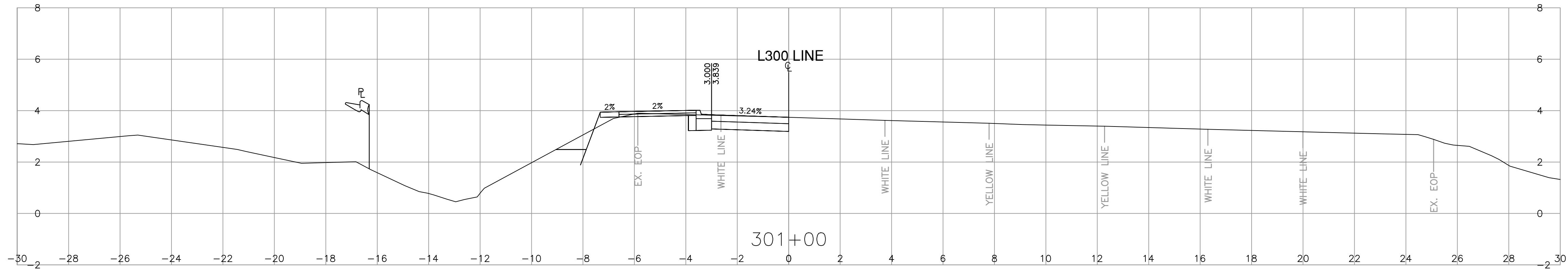
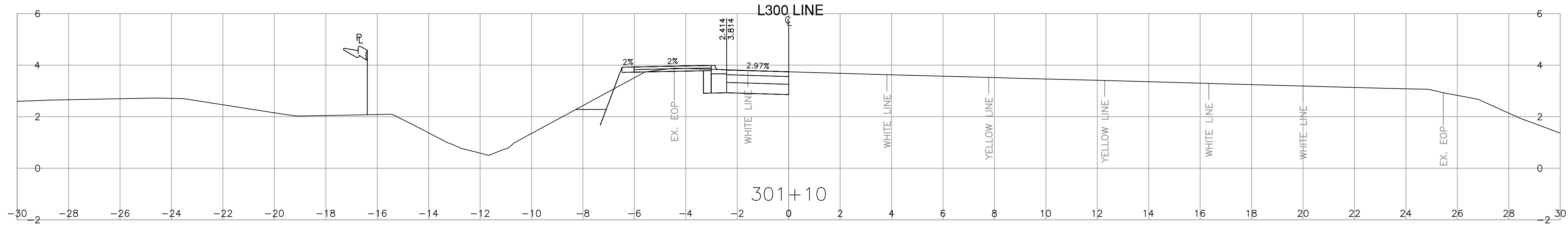


PLOT DATE: 2024-07-12 1:37:48 PM mtoosamy U:\Projects\_SUR\1961\0518\08\0-D-Design\CAD\DrawingProduction\1000\_DesignSections\1000\_X-SEC\_H7B\_KINGSWAY.dwg



REV	DATE	REVISIONS	NAME

**BRITISH COLUMBIA** MINISTRY OF TRANSPORTATION AND INFRASTRUCTURE  
SOUTH COAST REGION  
HIGHWAY ENGINEERING AND GEOMATICS

DESIGNED: R. MOOTOOSAMY DATE: 2024-04-28  
 QUALITY CONTROL: I. MACMILLAN DATE: 2024-04-28  
 QUALITY ASSURANCE: J. BORCH DATE: 2024-04-28  
 DRAWN: Y. KE DATE: 2024-04-28

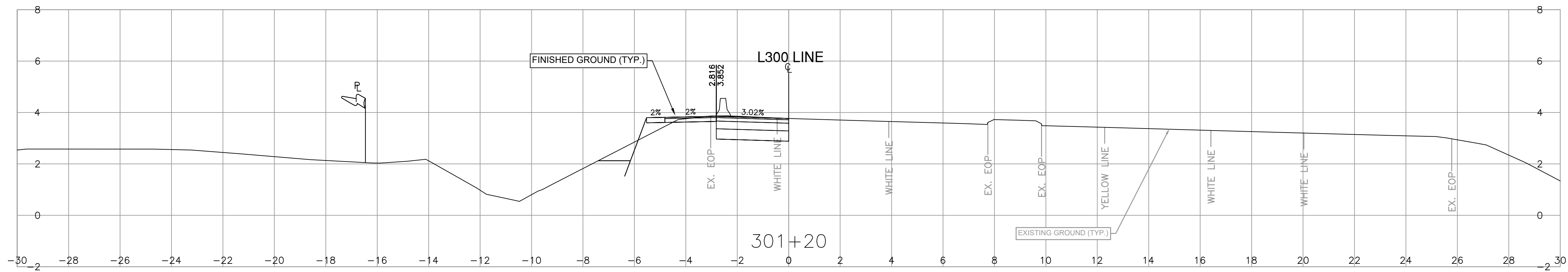
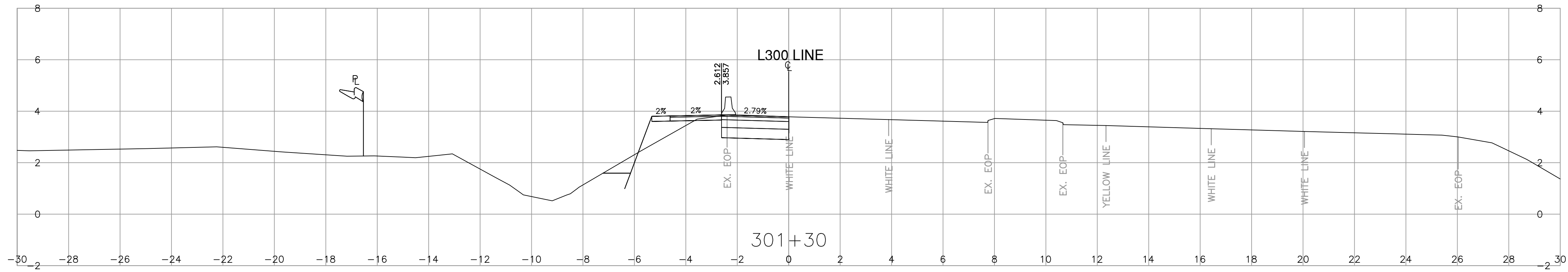
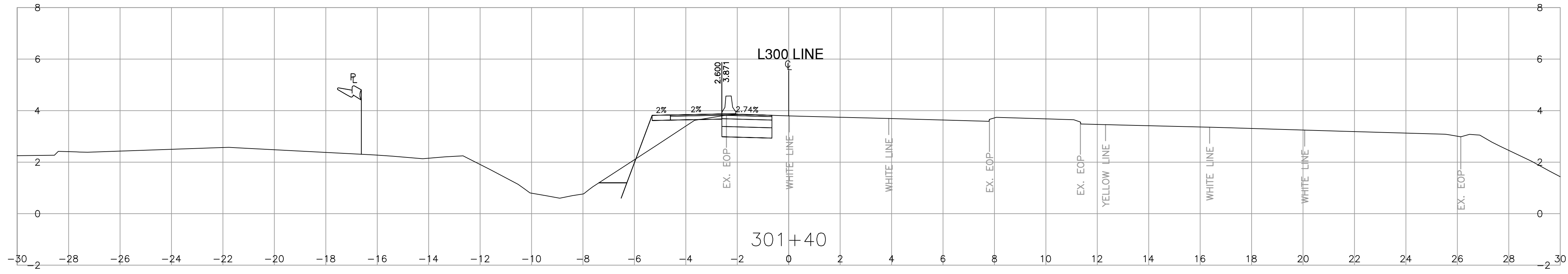
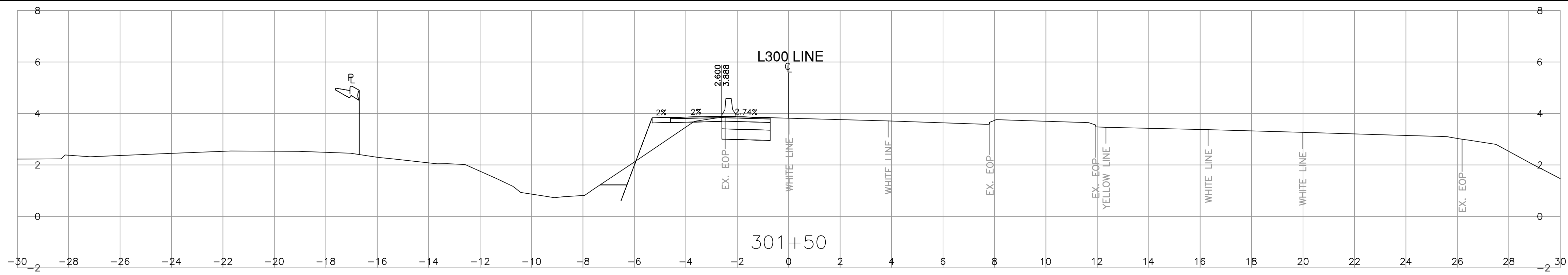
CAD FILENAME: 1000\_X-SEC\_H7B\_KINGSWAY  
 FILE NUMBER: 1961.0518.08  
 PLOT DATE: 2024-07-12

**DESIGN SECTIONS**  
HIGHWAY 7B  
BUS STOPS AT KINGSWAY AVE INTERSECTION

SCALE 0 1 1:100 5m

PROJECT NUMBER: 13234-0001  
 REG: 1  
 DRAWING NUMBER: R1-1150-1001  
 REV: ----

PLOT DATE: 2024-07-12 1:37:52 PM m00toosamy U:\Projects\_SUR\1961\0518\08\0-D-Design\CAD\DrawingProduction\1000\_X-SEC\_H7B\_KINGSWAY.dwg



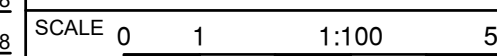
REV	DATE	REVISIONS	NAME



MINISTRY OF TRANSPORTATION AND INFRASTRUCTURE  
SOUTH COAST REGION  
HIGHWAY ENGINEERING AND GEOMATICS



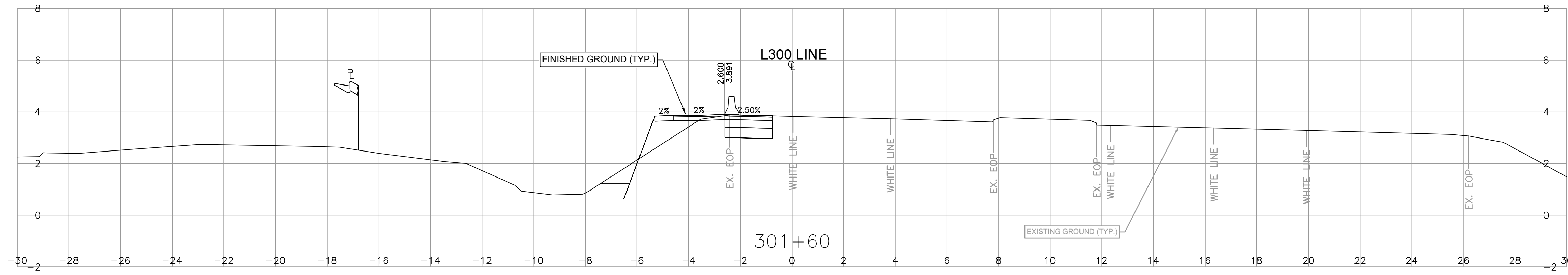
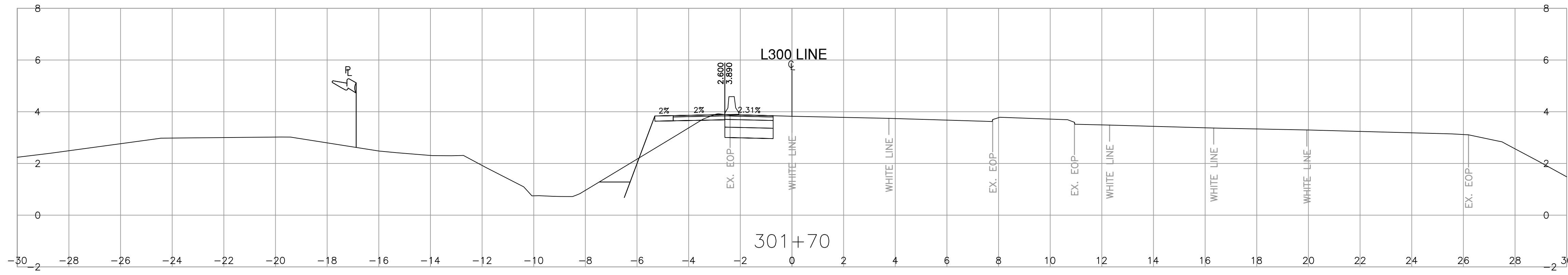
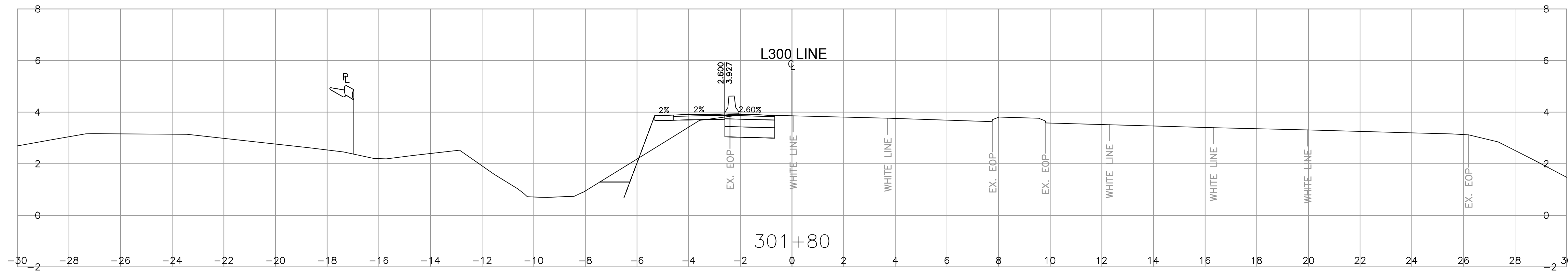
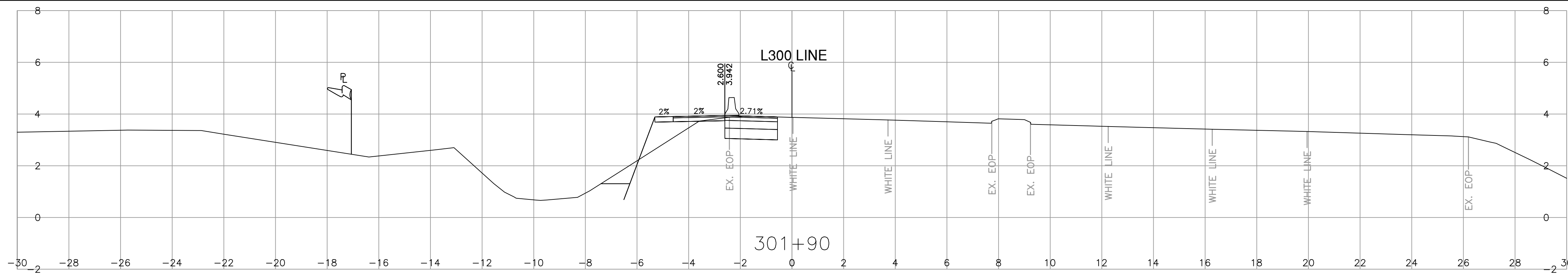
CAD FILENAME	1000_X-SEC_H7B_KINGSWAY	DESIGNED	R. MOOTOOSAMY	DATE	2024-04-28
FILE NUMBER	1961.0518.08	QUALITY CONTROL	I. MACMILLAN	DATE	2024-04-28
PLOT DATE	2024-07-12	QUALITY ASSURANCE	J. BORCH	DATE	2024-04-28
		DRAWN	Y. KE	DATE	2024-04-28



DESIGN SECTIONS  
HIGHWAY 7B  
BUS STOPS AT KINGSWAY AVE INTERSECTION

PROJECT NUMBER	13234-0001	REG	1	DRAWING NUMBER	R1-1150-1002	REV	----
----------------	------------	-----	---	----------------	--------------	-----	------

PLOT DATE: 2024-07-12 1:37:57 PM m00toosamy U:\Projects\_SUR\1961\0518\08\0-D-Design\CAD\DrawingProduction\1000\_DesignSections\1000\_X-SEC\_H7B\_KINGSWAY.dwg



REV	DATE	REVISIONS	NAME



MINISTRY OF TRANSPORTATION  
AND INFRASTRUCTURE  
SOUTH COAST REGION  
HIGHWAY ENGINEERING AND GEOMATICS



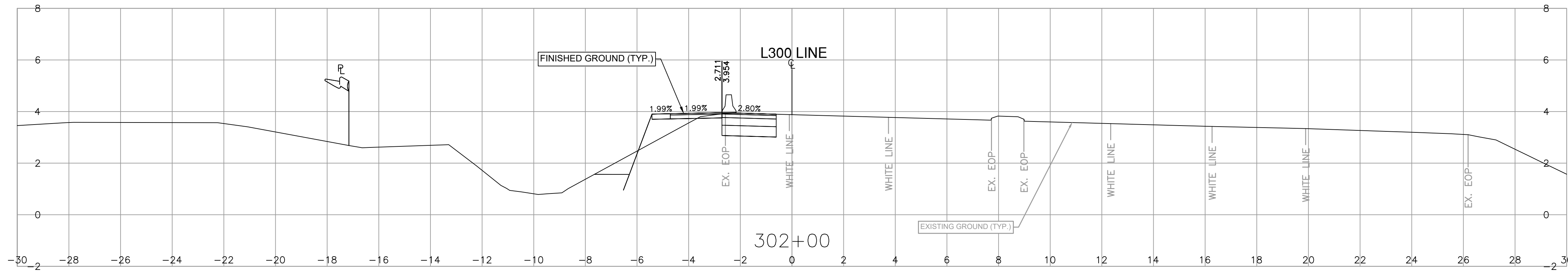
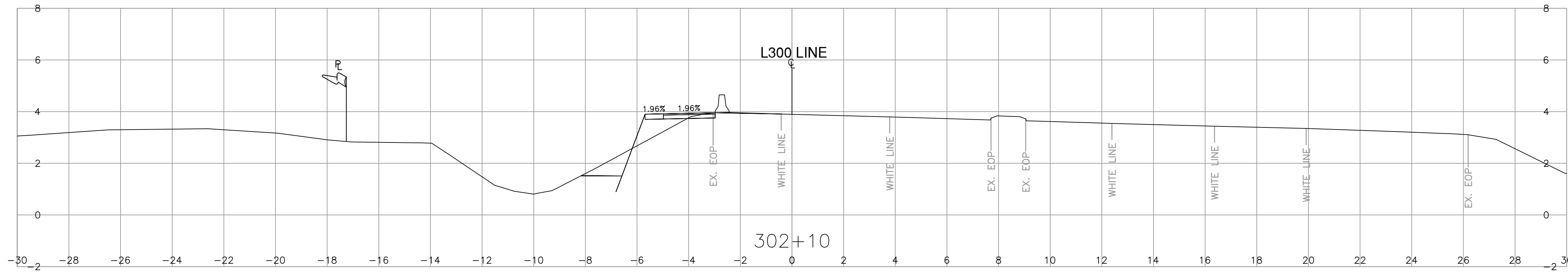
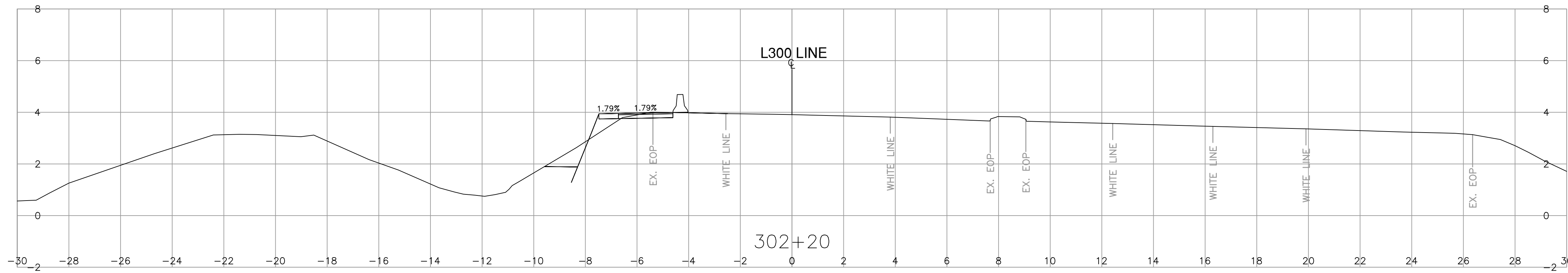
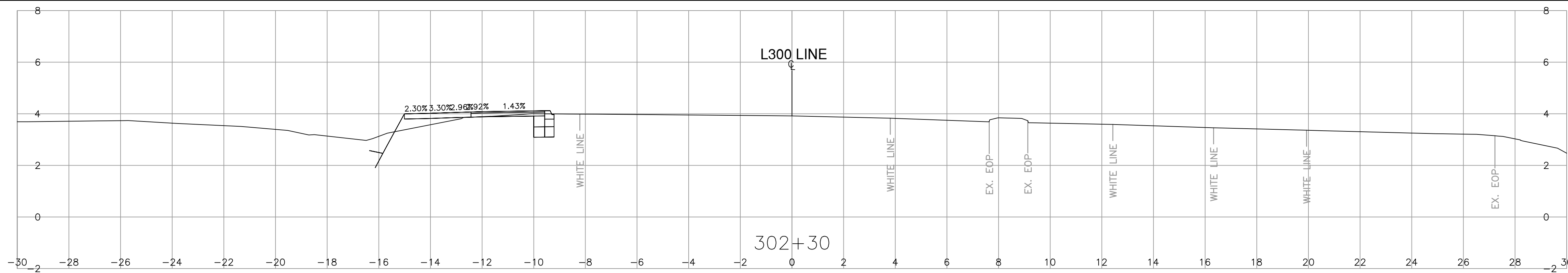
CAD FILENAME	1000_X-SEC_H7B_KINGSWAY	DESIGNED	R. MOOTOOSAMY	DATE	2024-04-28
FILE NUMBER	1961.0518.08	QUALITY CONTROL	I. MACMILLAN	DATE	2024-04-28
PLOT DATE	2024-07-12	QUALITY ASSURANCE	J. BORCH	DATE	2024-04-28
		DRAWN	Y. KE	DATE	2024-04-28

SCALE 0 1 1:100 5m

DESIGN SECTIONS  
HIGHWAY 7B  
BUS STOPS AT KINGSWAY AVE INTERSECTION

PROJECT NUMBER	13234-0001	REG	1	DRAWING NUMBER	R1-1150-1003	REV	----
----------------	------------	-----	---	----------------	--------------	-----	------

PLOT DATE: 2024-07-12 1:38:02 PM m00toosamy U:\Projects\_SUR\1961\0518\08\0-D-Design\CAD\DrawingProduction\1000\_X-SEC\_H7B\_KINGSWAY.dwg



REV	DATE	REVISIONS	NAME



MINISTRY OF TRANSPORTATION AND INFRASTRUCTURE  
SOUTH COAST REGION  
HIGHWAY ENGINEERING AND GEOMATICS



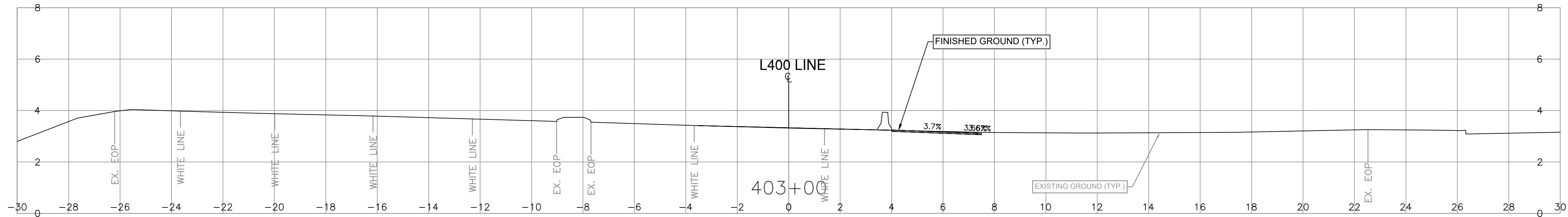
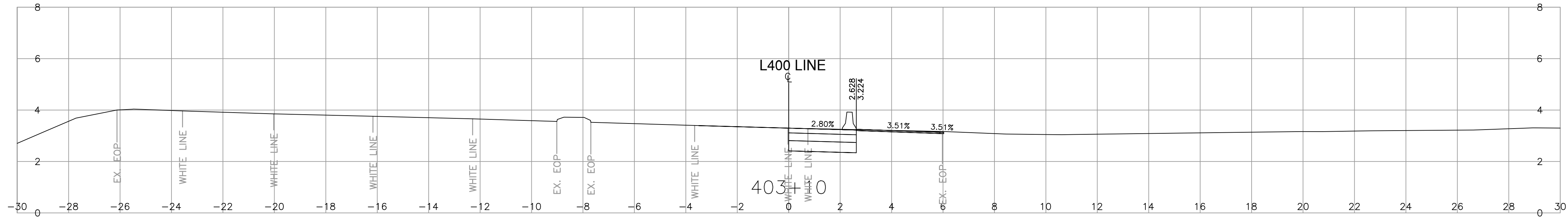
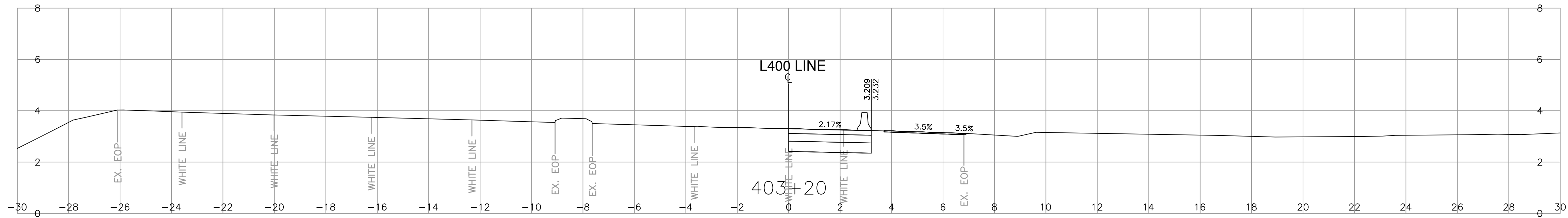
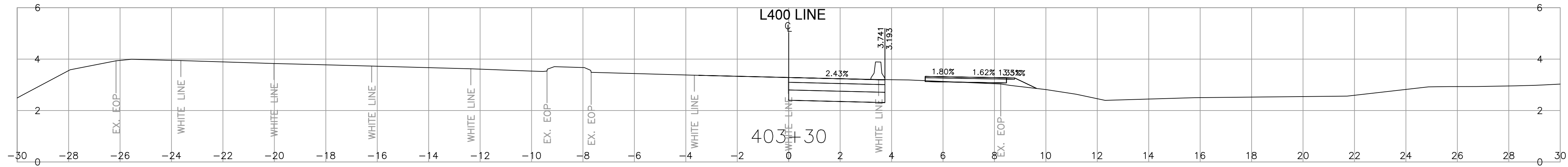
CAD FILENAME	1000_X-SEC_H7B_KINGSWAY	DESIGNED	R. MOOTOOSAMY	DATE	2024-04-28
FILE NUMBER	1961.0518.08	QUALITY CONTROL	I. MACMILLAN	DATE	2024-04-28
PLOT DATE	2024-07-12	QUALITY ASSURANCE	J. BORCH	DATE	2024-04-28
		DRAWN	Y. KE	DATE	2024-04-28

SCALE 0 1 1:100 5m

DESIGN SECTIONS  
HIGHWAY 7B  
BUS STOPS AT KINGSWAY AVE INTERSECTION

PROJECT NUMBER	13234-0001	REG	1	DRAWING NUMBER	R1-1150-1004	REV	----
----------------	------------	-----	---	----------------	--------------	-----	------

PLOT DATE: 2024-07-12 1:38:07 PM mtoosamy U:\Projects\_SUR\1961\0518\08\0-D-Design\CAD\DrawingProduction\1000\_DesignSections\1000\_X-SEC\_H7B\_KINGSWAY.dwg



REV	DATE	REVISIONS	NAME



MINISTRY OF TRANSPORTATION AND INFRASTRUCTURE  
SOUTH COAST REGION  
HIGHWAY ENGINEERING AND GEOMATICS



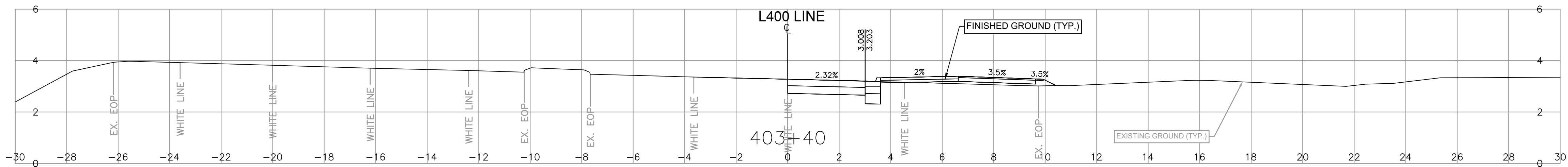
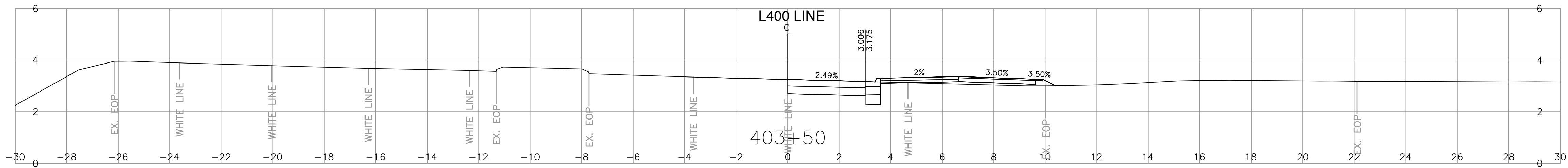
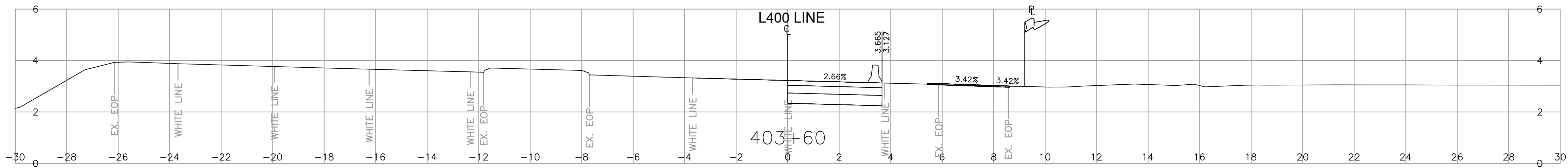
CAD FILENAME	1000_X-SEC_H7B_KINGSWAY	DESIGNED	R. MOOTOOSAMY	DATE	2024-04-28
FILE NUMBER	1961.0518.08	QUALITY CONTROL	I. MACMILLAN	DATE	2024-04-28
PLOT DATE	2024-07-12	QUALITY ASSURANCE	J. BORCH	DATE	2024-04-28
		DRAWN	Y. KE	DATE	2024-04-28

**DESIGN SECTIONS**  
HIGHWAY 7B  
BUS STOPS AT KINGSWAY AVE INTERSECTION

SCALE 0 1 1:100 5m

PROJECT NUMBER	13234-0001	REG	1	DRAWING NUMBER	R1-1150-1005	REV	----
----------------	------------	-----	---	----------------	--------------	-----	------

PLOT DATE: 2024-07-12 1:38:12 PM mrootosamy U:\Projects\_SUR\1961\0518\08\0-D-Design\CAD\DrawingProduction\1000\_X-SEC\_H7B\_KINGSWAY.dwg



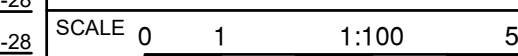
REV	DATE	REVISIONS	NAME



MINISTRY OF TRANSPORTATION AND INFRASTRUCTURE  
SOUTH COAST REGION  
HIGHWAY ENGINEERING AND GEOMATICS



CAD FILENAME	1000_X-SEC_H7B_KINGSWAY	DESIGNED	R. MOOTOOSAMY	DATE	2024-04-28
FILE NUMBER	1961.0518.08	QUALITY CONTROL	I. MACMILLAN	DATE	2024-04-28
PLOT DATE	2024-07-12	QUALITY ASSURANCE	J. BORCH	DATE	2024-04-28
		DRAWN	Y. KE	DATE	2024-04-28



**DESIGN SECTIONS**  
HIGHWAY 7B  
BUS STOPS AT KINGSWAY AVE INTERSECTION

PROJECT NUMBER	13234-0001	REG	1	DRAWING NUMBER	R1-1150-1006	REV	----
----------------	------------	-----	---	----------------	--------------	-----	------