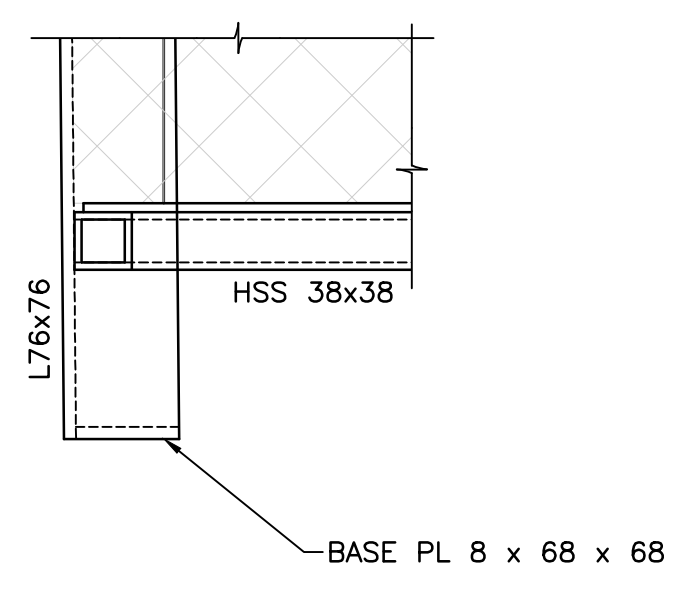
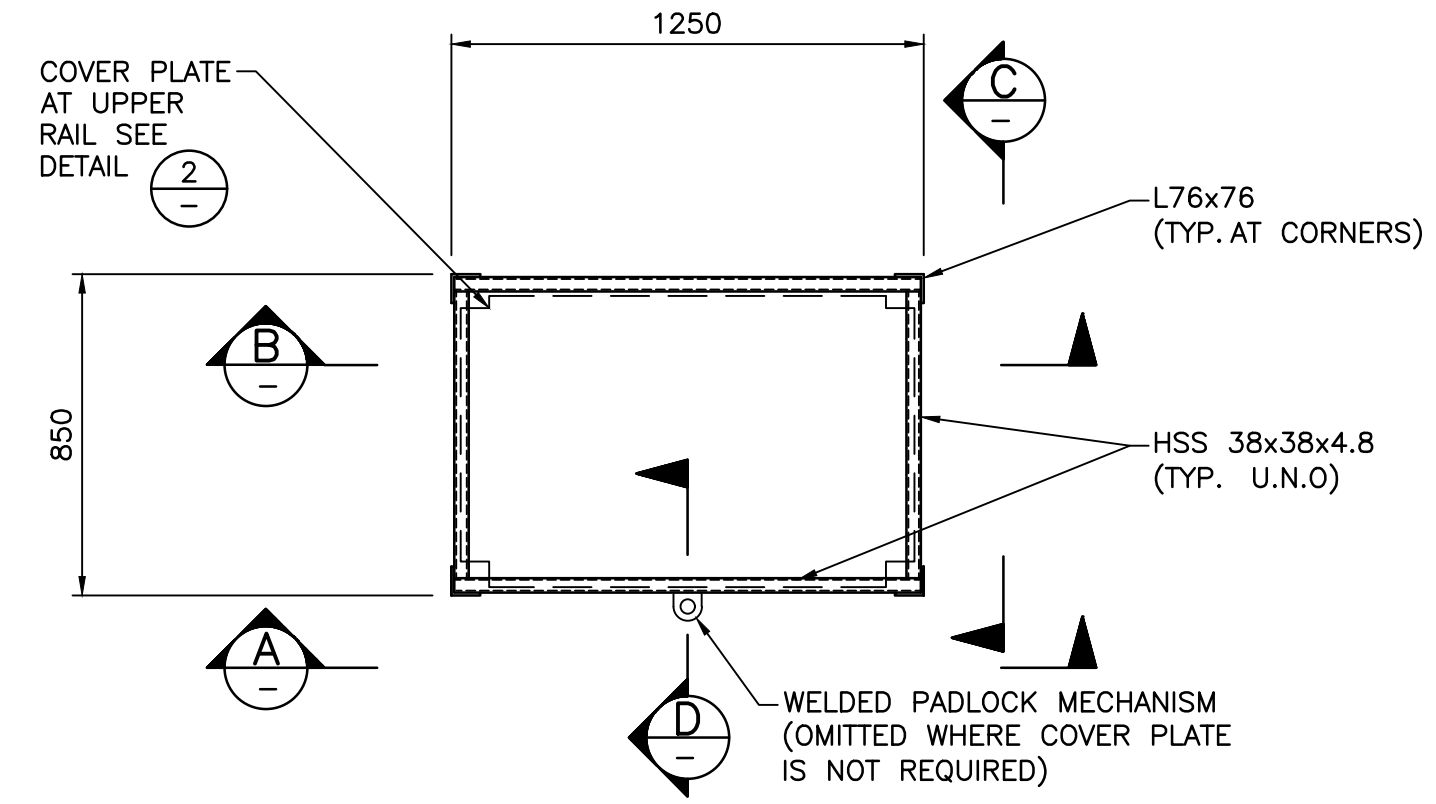


PLAN AT LOWER RAIL
1:20
(NOTE: ALL MEMBERS HSS 38x38x4.8 U.N.O.)

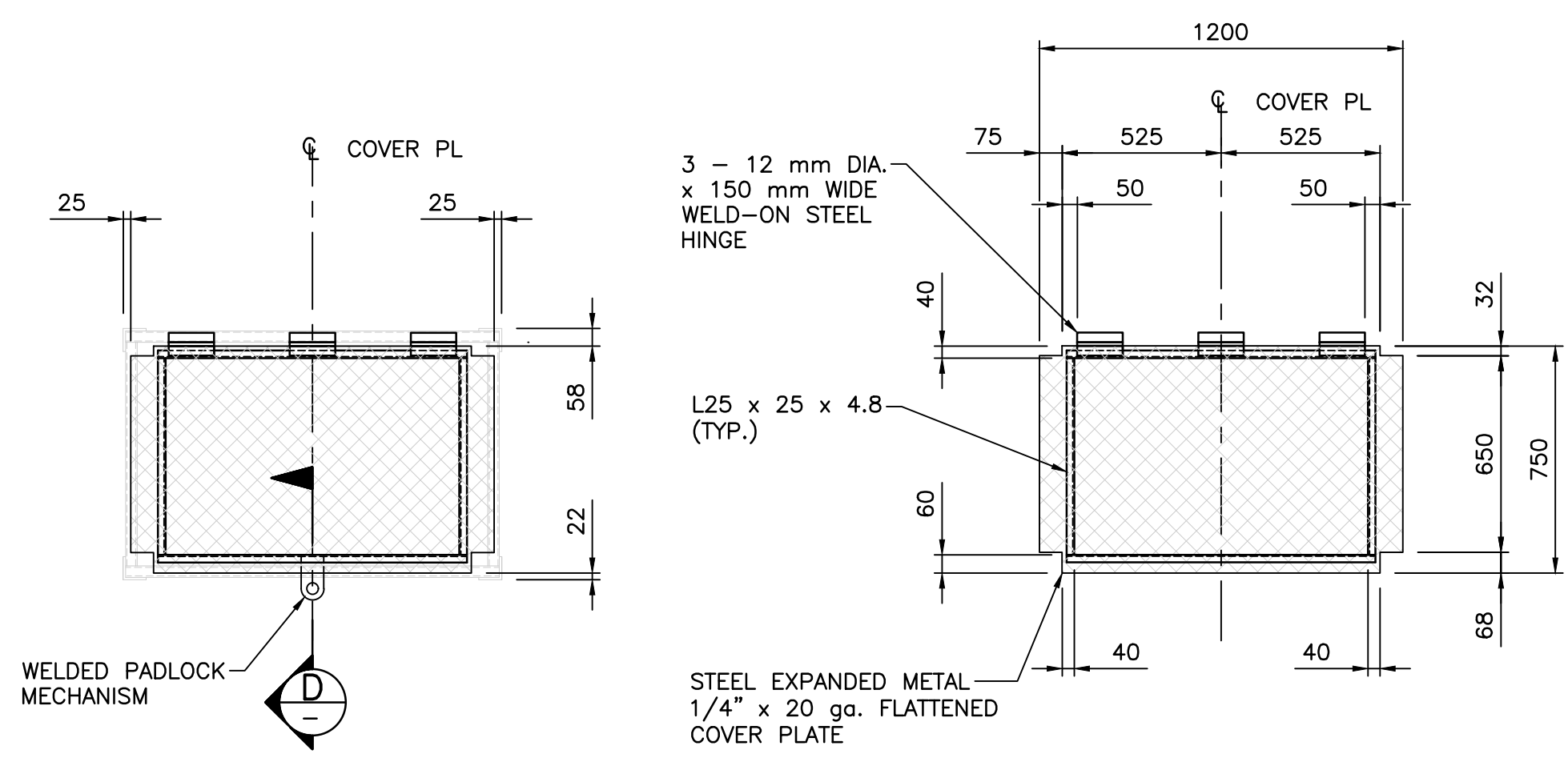


DETAIL 1
SCALE 1:5

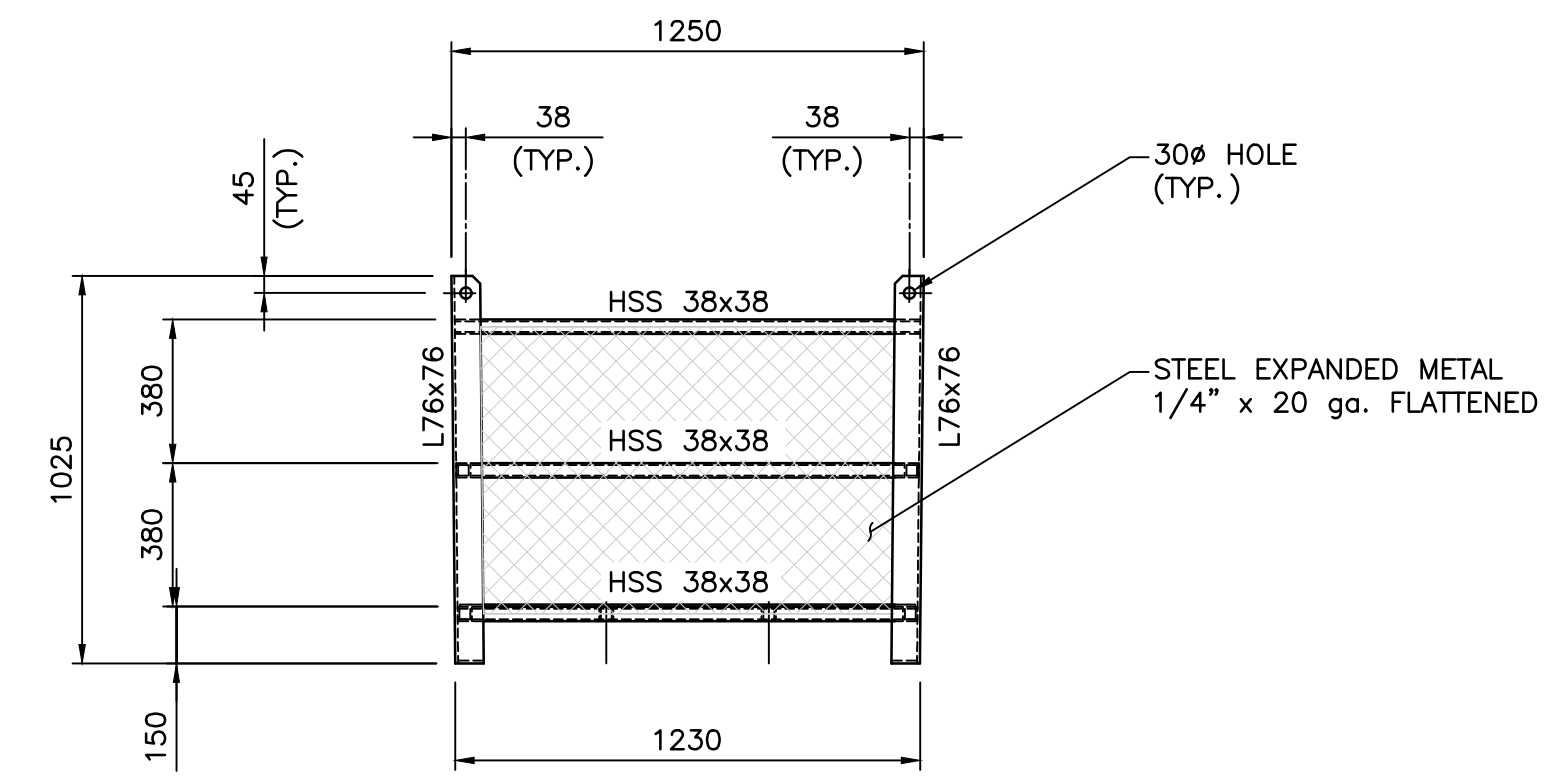
NOTES:
1. ALL STEEL MEMBERS AND EXPANDED METAL TO BE HOT-DIPPED GALVANIZED.
2. ALL WELDS TO BE MINIMUM 5 mm FILLET UNLESS NOTED OTHERWISE.



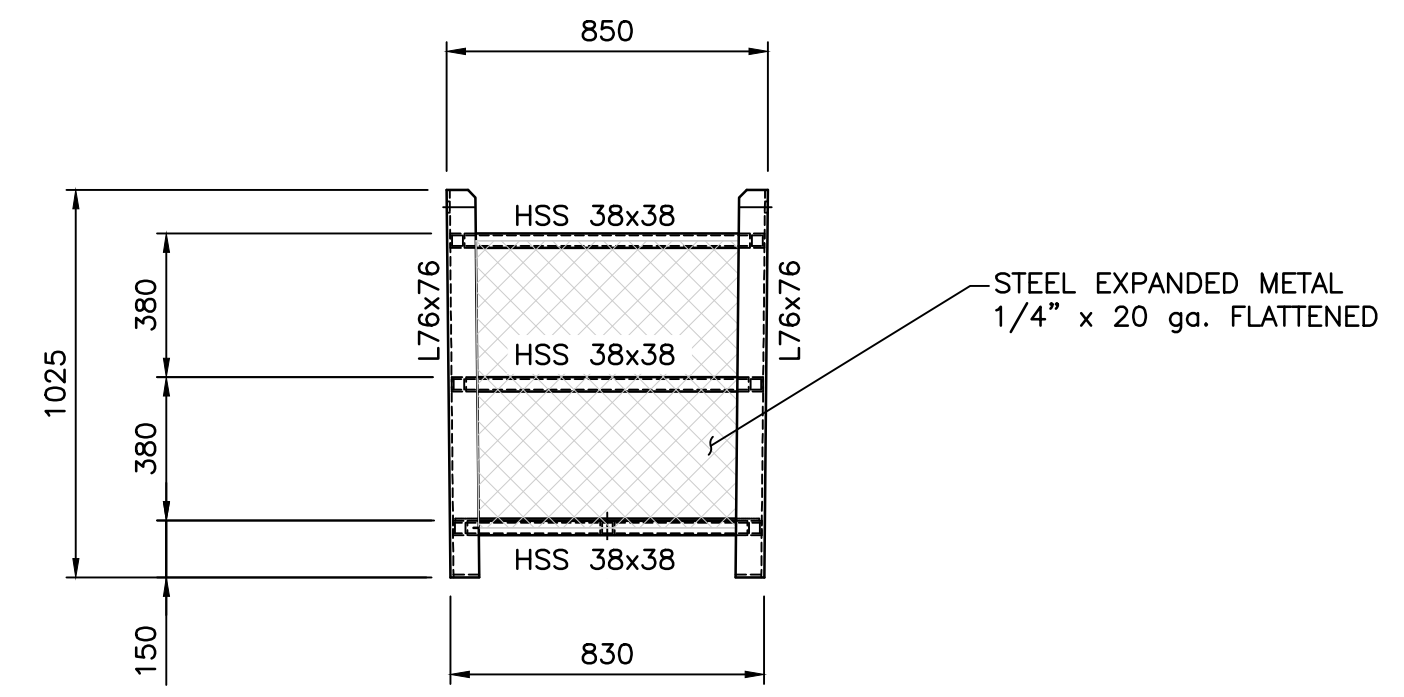
PLAN AT UPPER RAIL
1:20



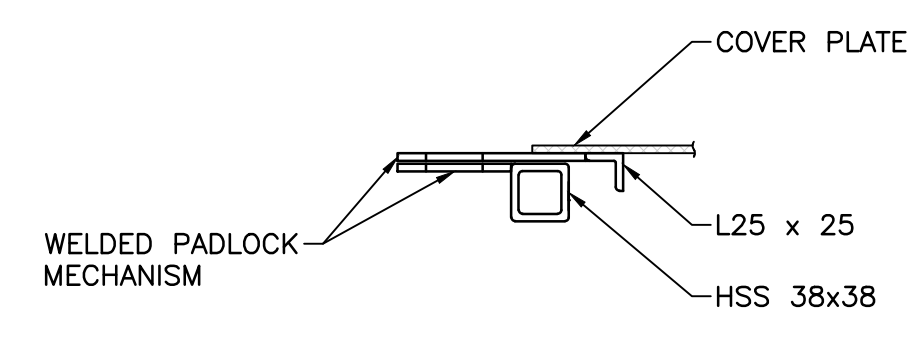
DETAIL 2
SCALE 1:20



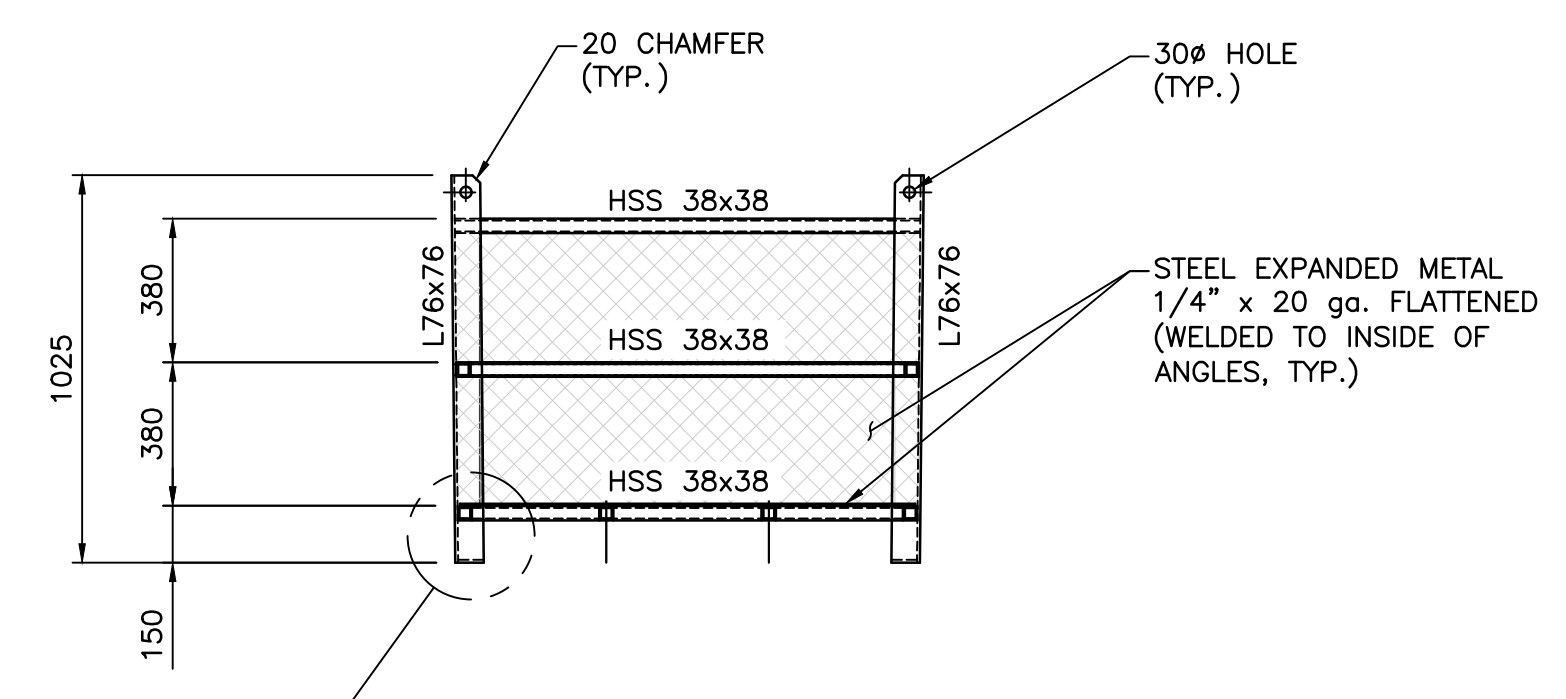
SECTION A
SCALE 1:20



SECTION C
SCALE 1:20
(TYP. BOTH ENDS)



SECTION D
SCALE 1:5



SECTION B
SCALE 1:20
(TYP. AT ANGLE BASE)

Klohn Crippen Berger

Rev	Date	Description	Init

REVISIONS

BRITISH COLUMBIA | Ministry of Transportation & Infrastructure
South Coast Region

LOWER MAINLAND DISTRICT
HIGHWAY 91
**ALEX FRASER BRIDGE CAPACITY IMPROVEMENT
PROJECT PHASE 1 – COLLAR STORAGE BIN**

PREPARED UNDER THE DIRECTION OF		DESIGNED T.W. DATE 2017-06-30
ENGINEER OF RECORD		CHECKED W.W. DATE 2017-06-30
DATE		DRAWN B.K. DATE 2017-06-30
FILE No.	PROJECT No.	REG. DRAWING No.
17-0095	12723-0001	R1-S-03

H-308-11-003-103