

TO CC26
SEE DWG. 98129-476 ← 1-12C MM FIBRE

TO CC18
SEE DWG. 98129-428 ← 1-12C MM FIBRE

TO CC20
SEE DWG. 98129-445 ← 1-12C MM FIBRE

TO TB4
SEE DWG. 98129-435 ← 2 No. 14

TO TB3
SEE DWG. 98129-435 ← 1 No. 14

TO GB05-GB08
SEE DWG. 98129-434 ← 10 No. 14

TO GB01-GB04
SEE DWG. 98129-433 ← 9 No. 14

TO GB01
SEE DWG. 98129-433 ← 1 BELDEN 9182

TO GB06
SEE DWG. 98129-434 ← 1 BELDEN 9182

2 No. 14 → TO CCT. 3, PANEL 'SP19A'
1 No. 14 BOND → SEE DWG. 98129-430

2 No. 14 → TO CCT. 6, PANEL 'SP19A'
SEE DWG. 98129-430

2 No. 14 → TO CCT. 6, PANEL 'SP19A'
SEE DWG. 98129-430

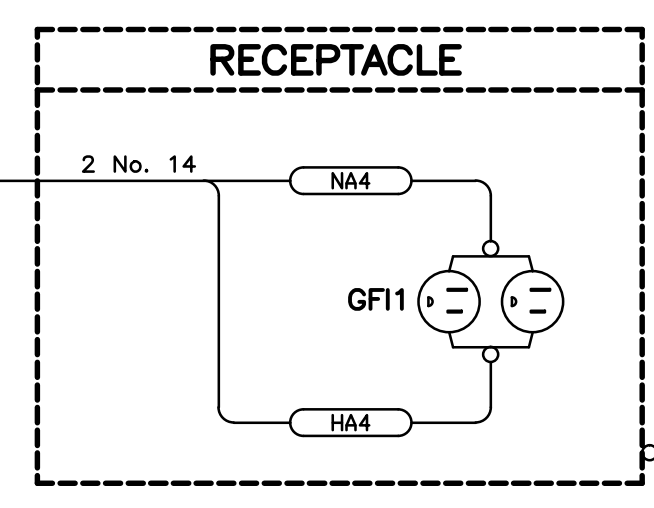
2 No. 14 → TO CCT. 2, PANEL 'SP19B'
1 No. 14 BOND → SEE DWG. 98129-430

2 No. 14 → TO CCT. 4, PANEL 'SP19B'
SEE DWG. 98129-430

THESE RECORD DRAWINGS HAVE BEEN PREPARED, IN PART, ON THE BASIS OF INFORMATION COMPILED AND FURNISHED BY OTHERS. AS A RESULT, THE ENGINEER WILL NOT BE RESPONSIBLE FOR ANY ERRORS OR OMISSIONS WHICH HAVE BEEN INCORPORATED INTO THIS DOCUMENT.

SEE "STANDARD SPECIFICATIONS FOR HIGHWAY CONSTRUCTION" FOR APPLICABLE STANDARD DRAWINGS

REFERENCE	QTY	DESCRIPTION	MANUFACTURER	PART NUMBER
DS01	1	DOOR SWITCH COVER	CUTLER HAMMER	E47BMS30 E47PA1
F1-F8	8	1/2A FUSE	BVSS	ABC-1/2
FAN1	1	FAN, 260 CFM	NIDEC	T6600AC-A30318
FPP1	1	FIBRE OPTIC PATCH PANEL	AVAYA	100A3LIU
	2	PANEL C/W C2000A COUPLINGS	AVAYA	10AST
	2	DIELECTRIC SHEATH CLAMPS	AVAYA	12A2
	2	12 FIBRE FAN OUT KITS	AVAYA	12AF1-16LG
GF11	1	GROUND FAULT RECEPTACLE	AVAYA	GFR52FT1
	1	JUNCTION BOX	BRYANT COMMANDER	1110
HTR1	1	350W, 120V STRIP HEATER	HOTWATT	FS-12-120-350-X6-86
	2	CERAMIC TERMINAL COVERS		
L1	1	660W PORCELAIN LAMP HOLDER	LEVITON	9350-001
	1	100W ROUGH USAGE BULB	N/A	
OM1-OM2	2	OZD GENIUS G12 FIBER TRANSCIVER	HIRSCHMANN	933 989-021
PS1	1	24V DC POWER SUPPLY	IDEC	PS5R-D24
STAT1	1	COOLING STAT JUNCTION BOX	HONEYWELL COMMANDER	T651A2051 1110
STAT2	1	HEATING STAT JUNCTION BOX	HONEYWELL COMMANDER	T498A 1110
TB1	AS REQ.	WDU4 TERMINAL WPE4 GROUND TERMINAL WAP2.5-10 END SECTION WEW 35/2 END BRACKET WTW 2.5-10 PARTITION WSI 6/2 FUSE TERMINAL WQV4 JUMPER BAR TS35 MOUNTING BAR	WEIDMULLER	102010 101010 105000 106120 105010 101400 AS REQ. 38340



TO CCT 7, 'SP19A'
SEE DWG. 98129-430 ← 2 No. 14

PBA
CONSULTING ENGINEERS

PBA Engineering Ltd.
300-131 Water Street
Vancouver, B.C. V6B 4M3
Tel 604.408.7222 Fax 604.408.7224

BRITISH COLUMBIA
The Best Place on Earth

MINISTRY OF TRANSPORTATION
AND INFRASTRUCTURE
ELECTRICAL ENGINEERING CENTRE

GEORGE MASSEY TUNNEL COUNTERFLOW SYSTEM
ROUTE 99 - STEVESTON HIGHWAY I/C TO ROUTE 17 I/C
RICHMOND/DELTA

CC19 - WIRING DIAGRAM - MISCELLANEOUS

REV	DATE	REVISIONS	DRAWN
SEP01		ISSUED FOR CABINET TENDER	PBA
A	FEB02	ISSUED FOR CABINET CONSTRUCTION	PBA
B	DEC02	ISSUED FOR TENDER	PBA
C	JAN04	RECORD DRAWING	PBA

DESIGNED _____ DATE _____

QUALITY CONTROL _____ DATE _____

QUALITY ASSURANCE _____ DATE _____

TRAN ELECTRICAL DESIGN REVIEW _____ DATE _____

ELECTRICAL ENGINEER OF RECORD
(FOR CURRENT REVISION)
DATE _____

SHEET NUMBER	SITE CODE	HWY DIST	REG	DRAWING NUMBER
SHEET OF		1	1	TE-98129-436 C

CAD FILENAME: 98129436C.DWG

I:\010101\1\Draw_P (Projects)\Master_Database Drawings\George_Massey_Tunnel_Master_Database Drawings\Design_Dwg\98129436C-14/04/2011_354_PW_CMAATAS

H-308

CANCEL PRINTS BEARING PREVIOUS LETTER