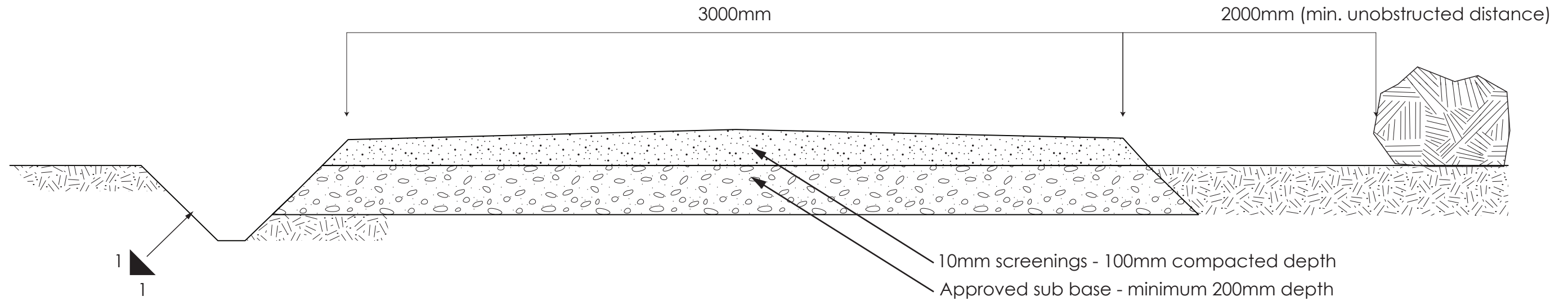
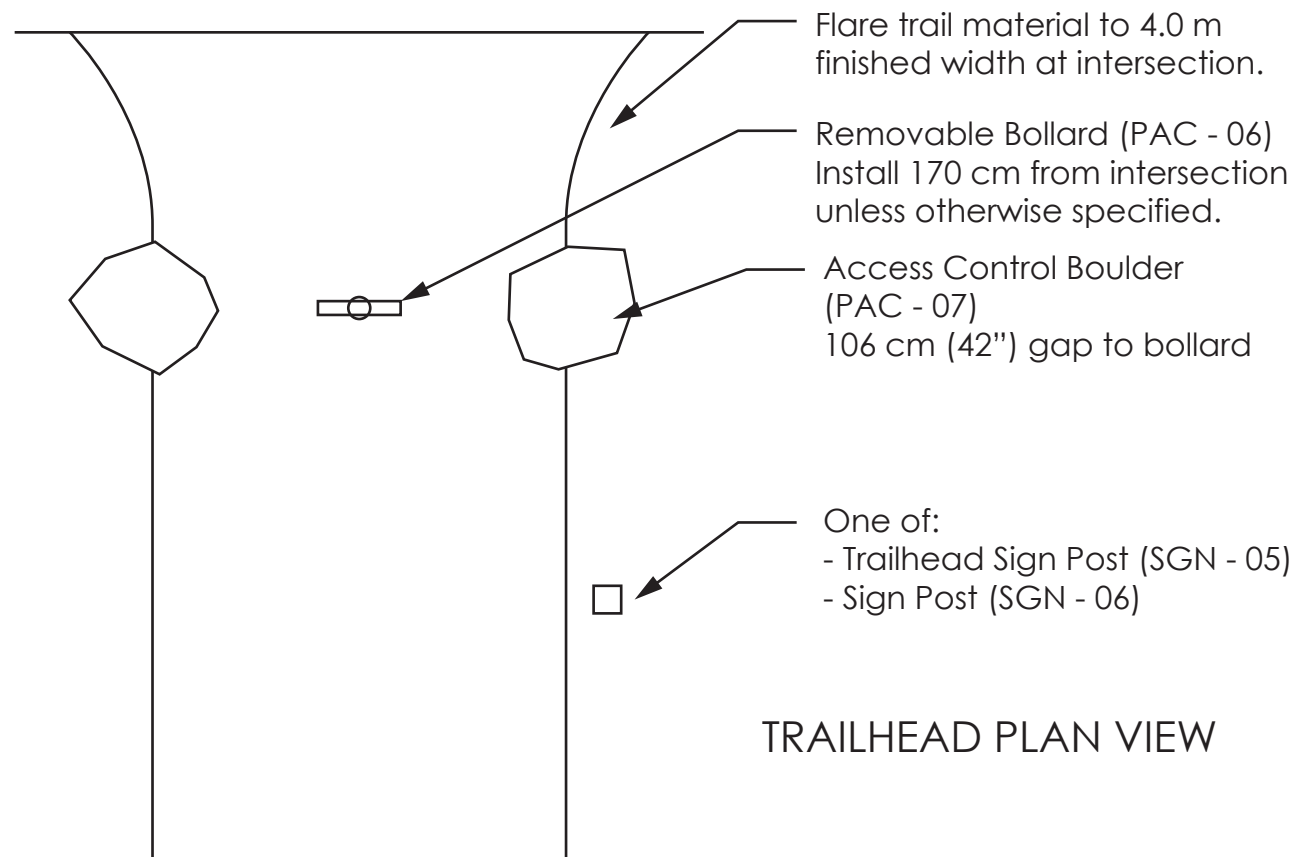


# Multi-use Pathway



TRAIL CROSS SECTION



TRAILHEAD PLAN VIEW

## NOTES

1. Ideal trail bed composition is local parent material. Alternatives or alterations are subject to approval by the CVRD or appointed representative.
2. Excavated material shall be side cast unless otherwise specified in the contract scope of work.
3. Approved sub base is subject to site conditions and must be approved by the CVRD or appointed representative.
4. Surface material shall be placed with a uniform edge and compacted, including application of a 2% cross slope to downhill trail edge or 2% trail crown in level terrain.
5. Surface material shall be placed at depth required to achieve a 100mm compacted depth.
6. 10mm screenings are subject to sieve test unless acquired from an approved supplier.
7. Ditching and other drainage features are to be provided on an as needed basis at the discretion of the CVRD or appointed representative.