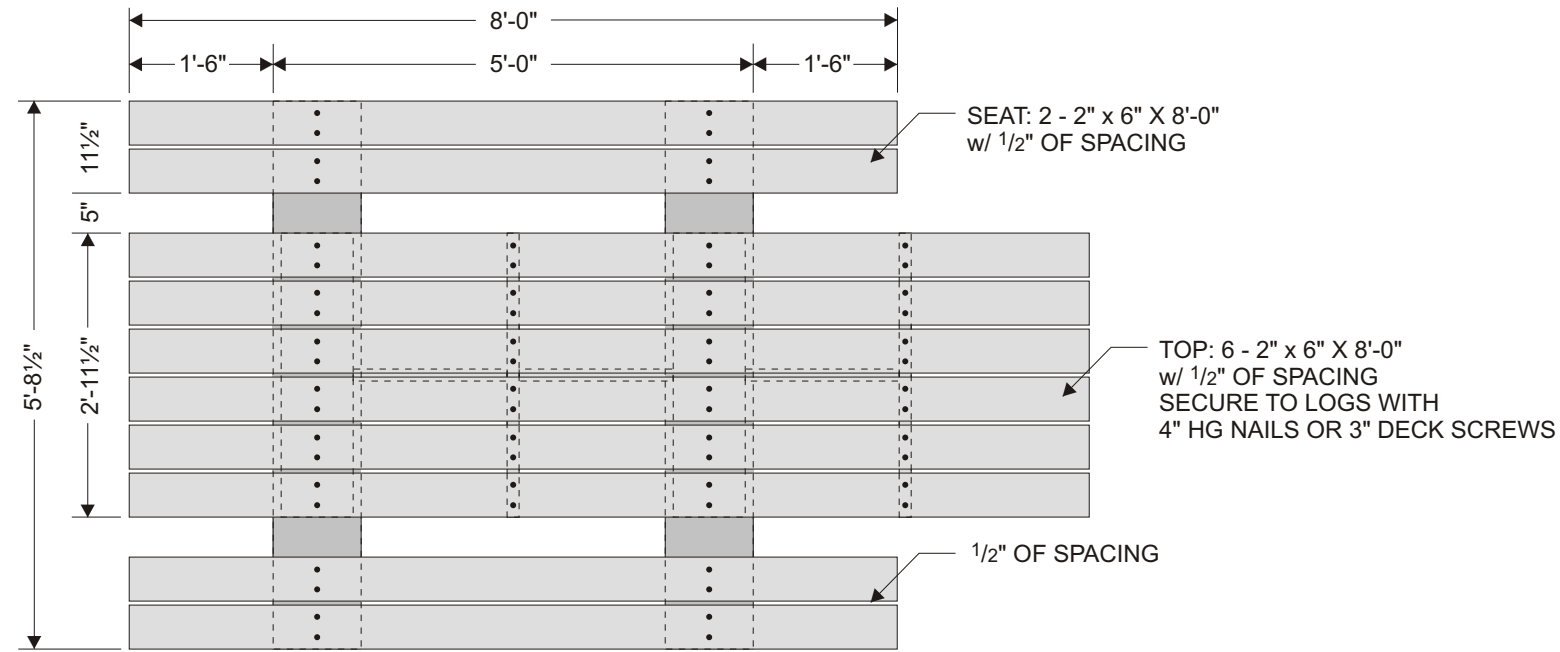
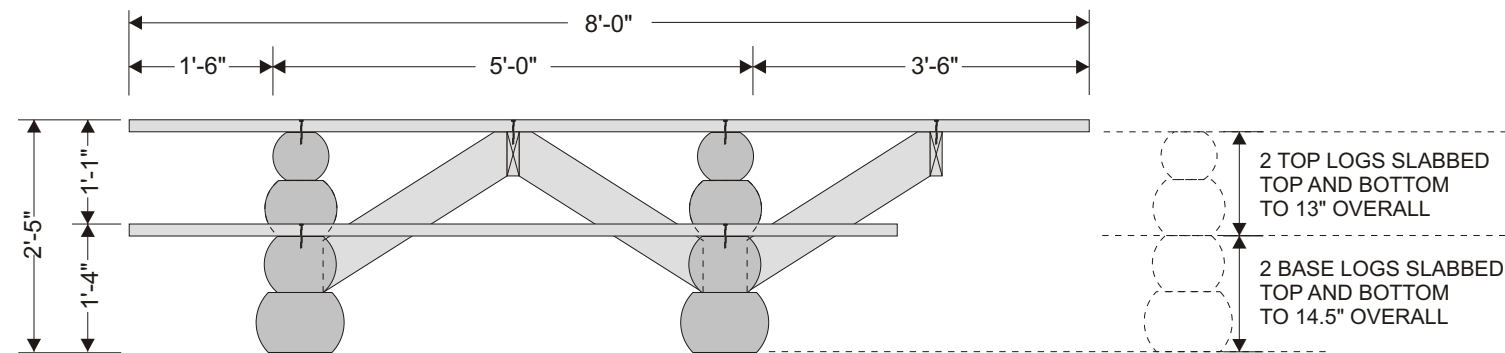


PICNIC TABLE - HANDICAP - LOG - STANDARD

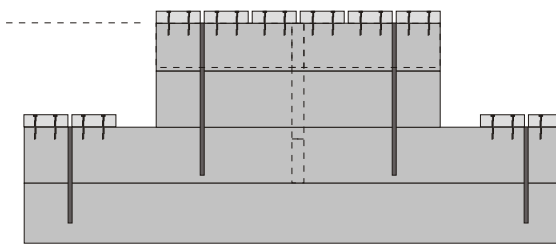


TOP VIEW



SIDE VIEW


BASE LOGS SLABBED
TOP AND BOTTOM
TO 13" OVERALL



END VIEW

MATERIAL LIST

QUANTITY	SIZE	MATERIALS	REMARKS
6 pcs.	2" x 6" x 10'-0"	SELECT S4S SPRUCE - PINE - FIR	TABLE TOP
4 pcs.	2" x 6" x 8'-0"	SELECT S4S SPRUCE - PINE - FIR	BENCHES
4 pcs.	MIN. 8" DIA. x 3'-0"	PEELED & CLEANED PINE OR CEDAR LOGS	TABLE ENDS
4 pcs.	MIN. 9" DIA. x 5'-8 1/2"	PEELED & CLEANED PINE OR CEDAR LOGS	
5 pcs.	2" x 6" x 3'-0"	SELECT S4S SPRUCE - PINE - FIR	BRACING
52 pcs.	4" or 3"	HG NAILS or SCREWS	HARDWARE
4 pcs.	1/2" x 12" LG.	REBAR	
4 pcs.	1/2" x 19" LG.	REBAR	

Standard		PICNIC TABLE - HANDICAP - LOG	
File No:		Draft Date:	07/05
Approved By:	<i>WJ Marshall</i>	Revision No:	Date: 01/08
Date:		Revision No:	Date:
 Ministry of Tourism, Sport and the Arts		Drawing Scale:	1" x 2' Sheet Size: 11" x 17"
		Drawing No:	RST 481-PT-2