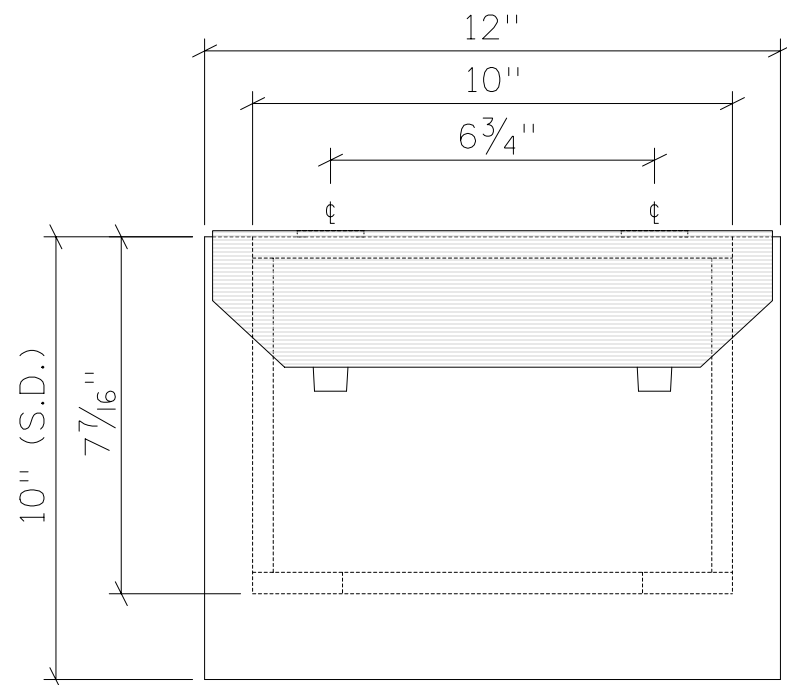
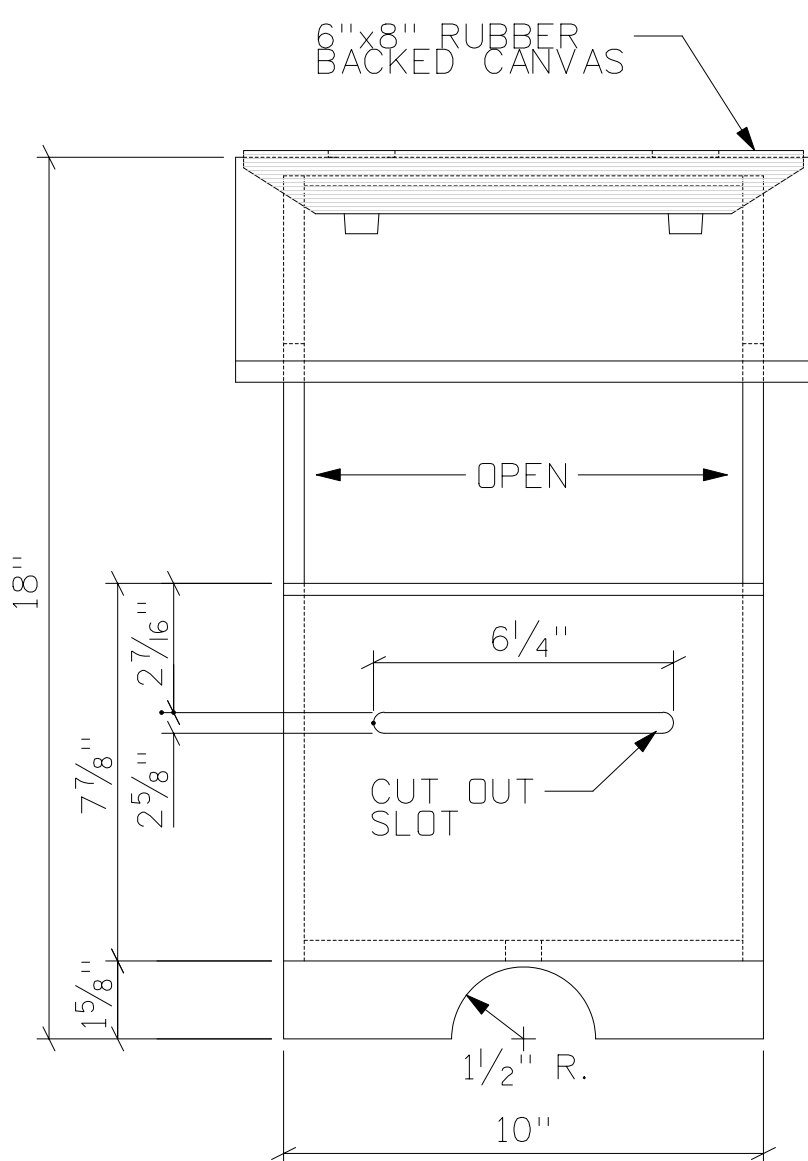


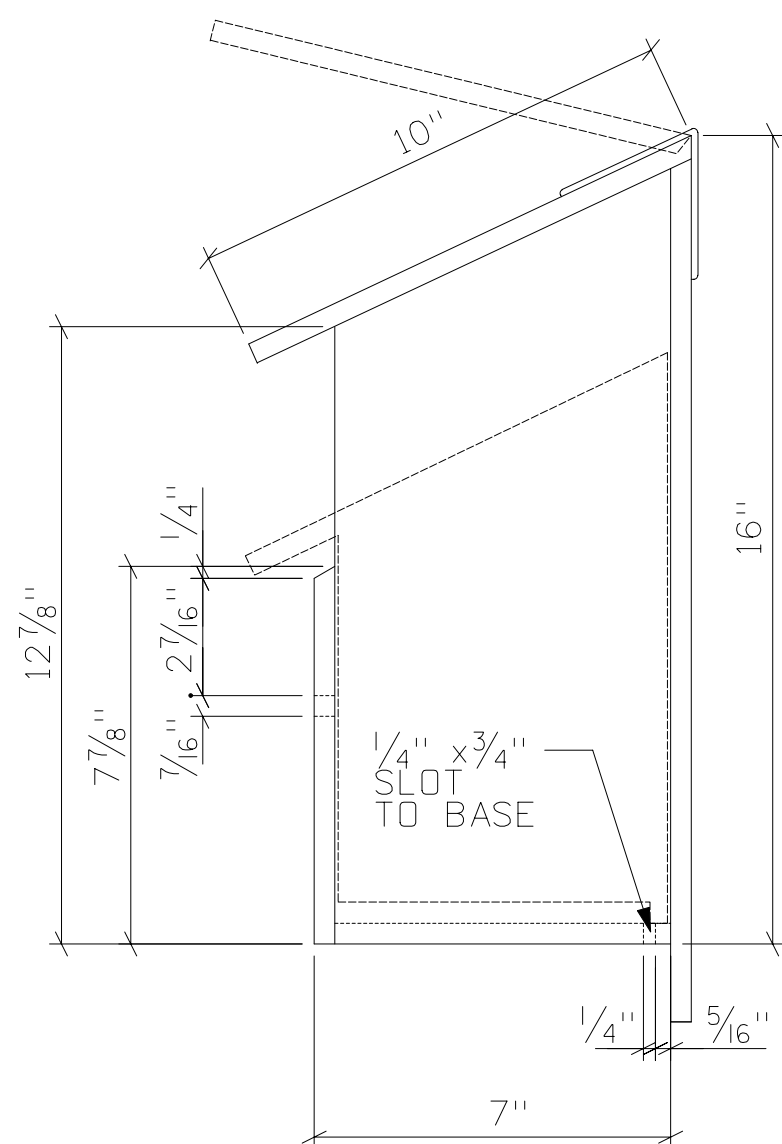
OUTER BOX			
MATERIALS LIST			
QUANTITY	SIZE	MATERIALS	REMARKS
1 pc.	10"x12"x $\frac{7}{16}$ "	GIS SPRUCE PLYWOOD	TOP
1 pc.	$7\frac{7}{8}$ "x10"x16"x $\frac{7}{16}$ "	GIS SPRUCE PLYWOOD	FRONT
2 pcs.	7"x14 $\frac{1}{2}$ "x16"x $\frac{7}{16}$ "	GIS SPRUCE PLYWOOD	SIDES
1 pc.	7"x9 18"x $\frac{7}{16}$ "	GIS SPRUCE PLYWOOD	BASE
1 pc.	10"x18"x $\frac{7}{16}$ "	GIS SPRUCE PLYWOOD	REAR
2 ONLY.	3" x $\frac{1}{16}$ " STRAPHINGES	STANLEY 900	
12 ONLY.	$\frac{3}{4}$ " x 6	F.H. WOOD SCREWS	
1 pcs.	6" x 12"	RUBBER BACKED CANVAS	
3 DDZ..	1" GALV. FINISHING NAILS	c/w $\frac{1}{2}$ " STAPLES	
BONDING ADHESIVE (BOND FAST GLUE)			



TOP VIEW

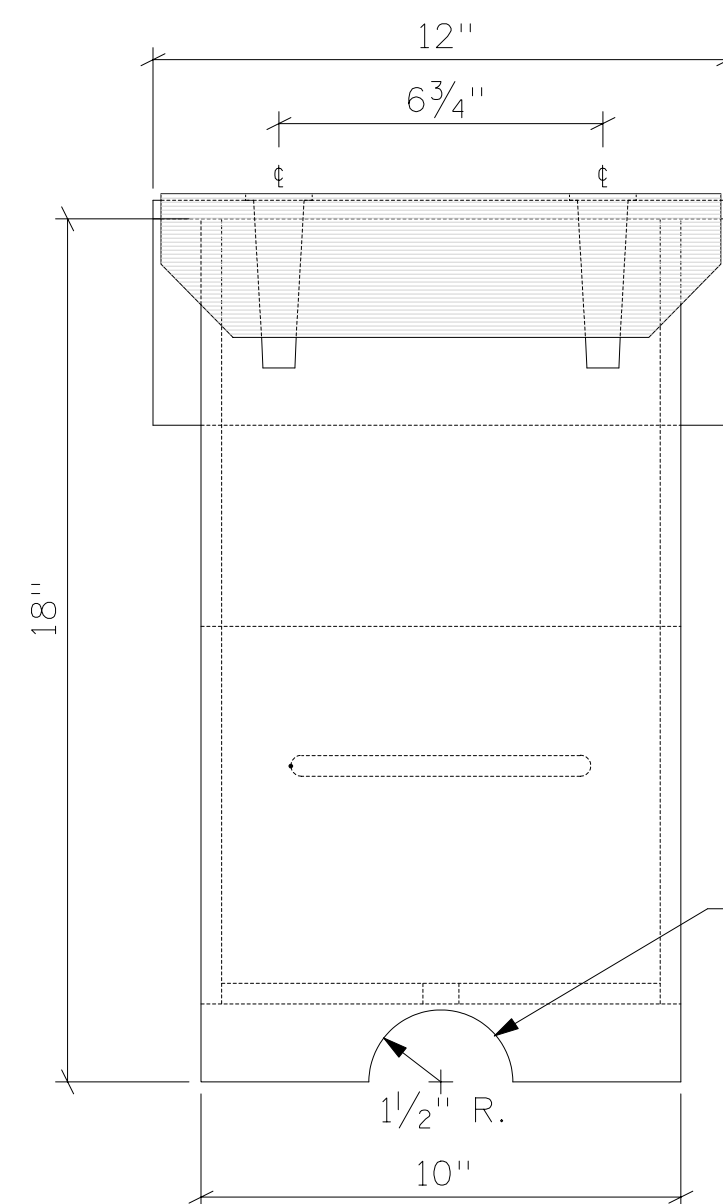


FRONT VIEW

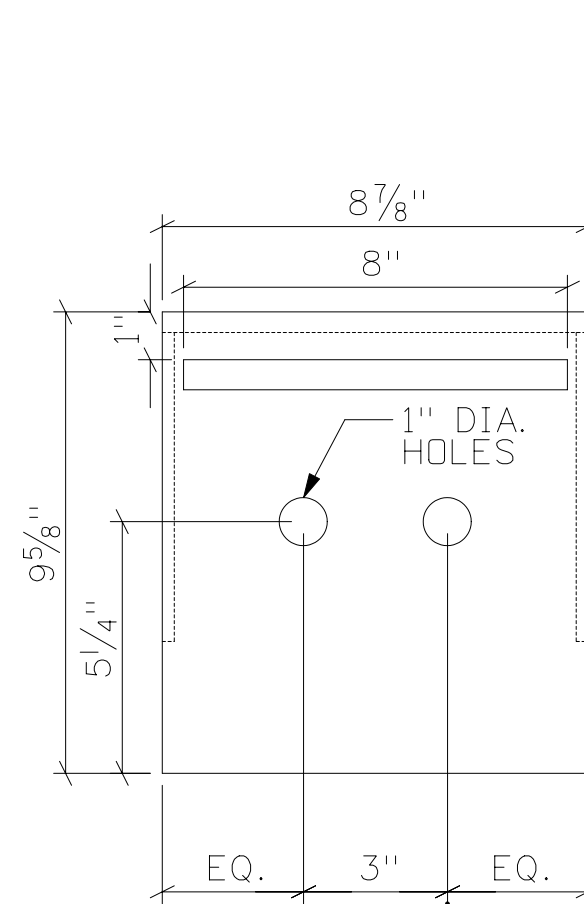


SIDE VIEW

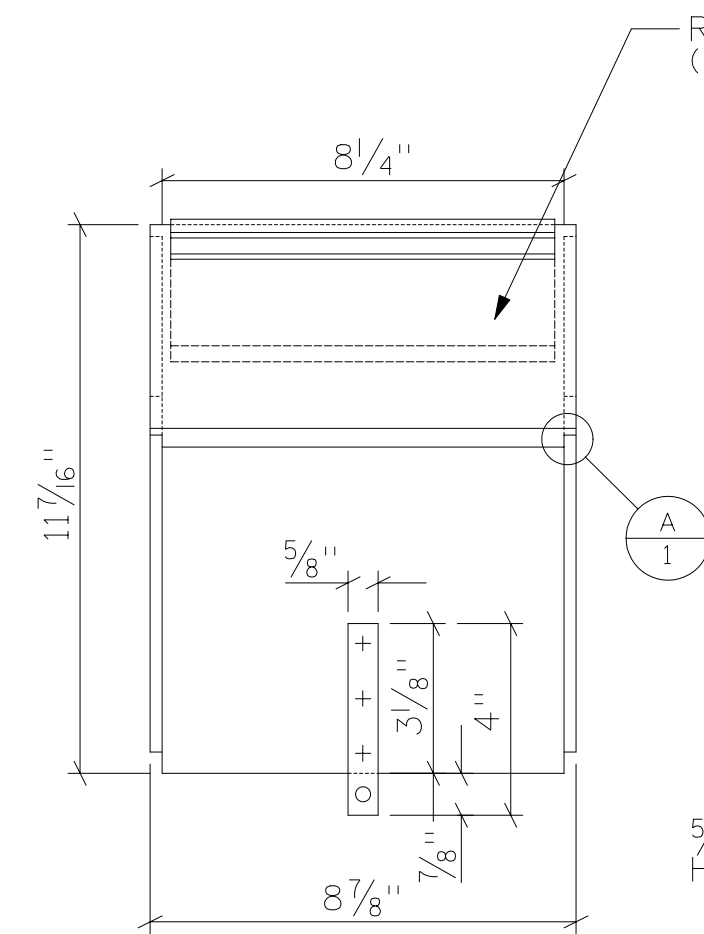
OUTER BOX



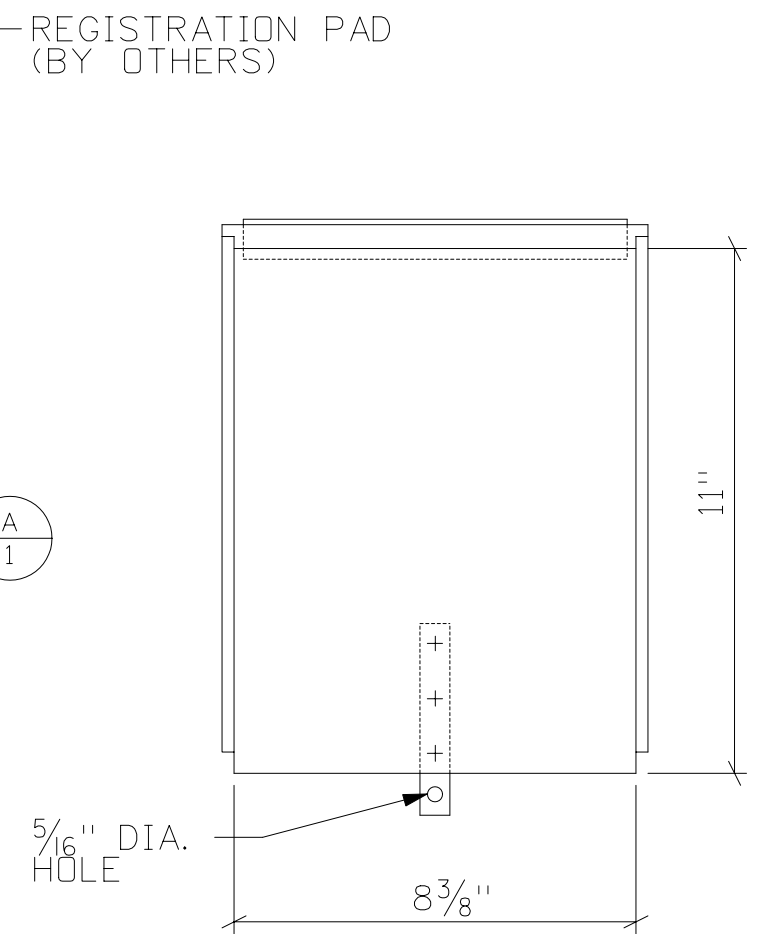
REAR VIEW



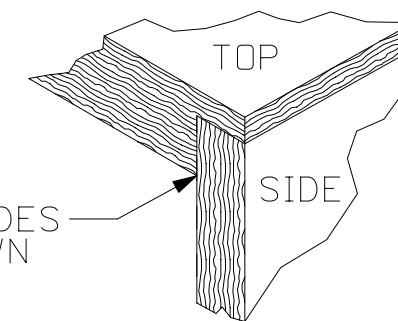
TOP VIEW



FRONT VIEW



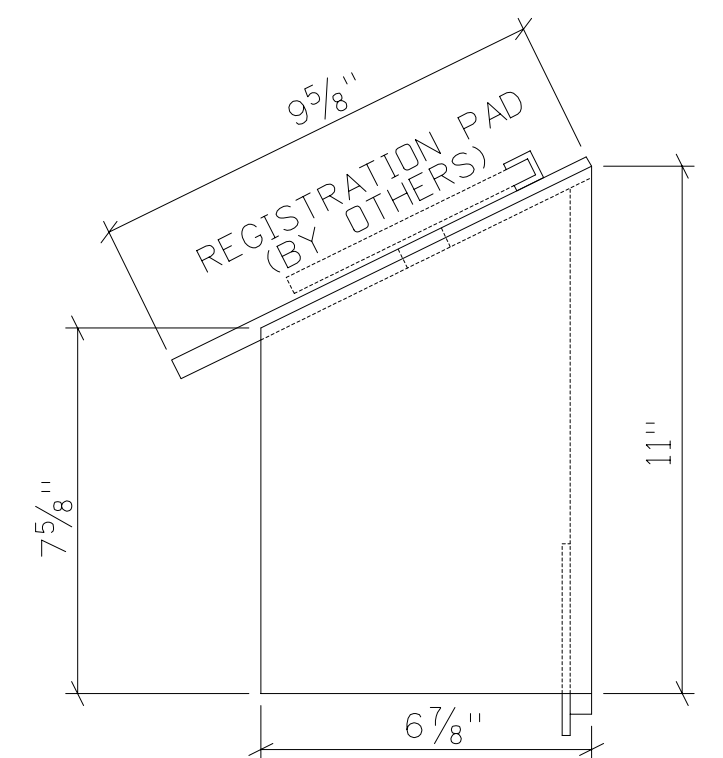
REAR VIEW



REBATE BOTH SIDES OF TOP AS SHOWN FOR $\frac{1}{4}$ " SIDES

DETAIL A

INNER BOX



SIDE VIEW

INNER BOX			
MATERIALS LIST			
QUANTITY	SIZE	MATERIALS	REMARKS
1 pc.	$9\frac{5}{8}$ "x $8\frac{7}{8}$ "x $\frac{7}{16}$ "	GIS SPRUCE PLYWOOD	TOP
2 pcs.	$7\frac{5}{8}$ "x $6\frac{7}{8}$ "x11"x $\frac{1}{4}$ "	GIS SPRUCE PLYWOOD	SIDES
1 pc.	$8\frac{3}{8}$ "x11"x $\frac{7}{16}$ "	GIS SPRUCE PLYWOOD	REAR
1 ONLY.	4"x $\frac{5}{8}$ " STEEL STRAP	FROM STANLEY 997 CORNER BRACE	
3 ONLY.	$\frac{1}{2}$ "x6	F.H. SCREWS	
1 DOZ.	$\frac{3}{4}$ " GALV. FINISHING NAILS		
BONDING ADHESIVE (BOND FAST GLUE)			

No.	Date	Revision	By	App'd

Self Registration Box

Contact	Design	Check
Drawn TEH	P.L.S.	
Ref.	Drawing No.	Rev.
Scale 1/2" = 1"	RB-2	
Date 04/03/25		