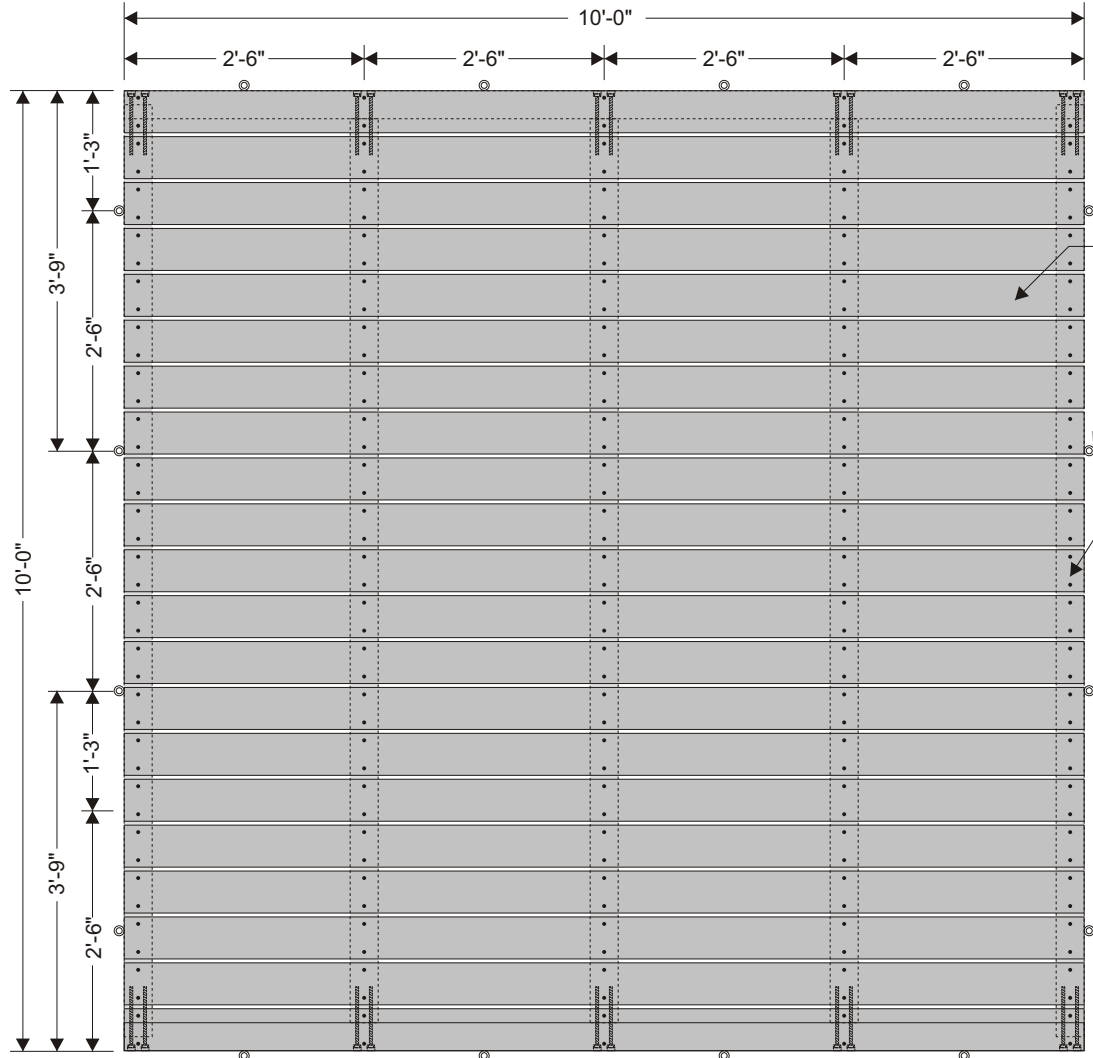
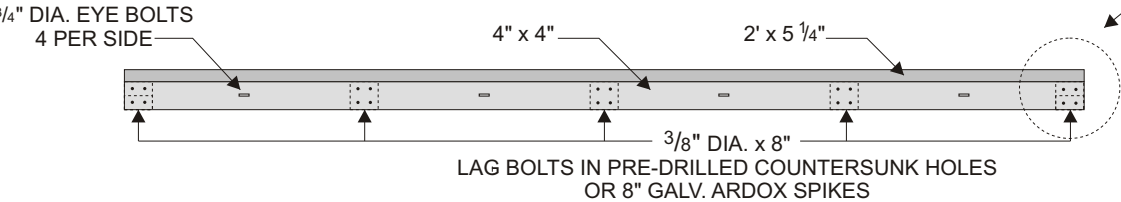


BACK COUNTRY RAISED TENT PAD 10FT



TOP VIEW



SIDE VIEW

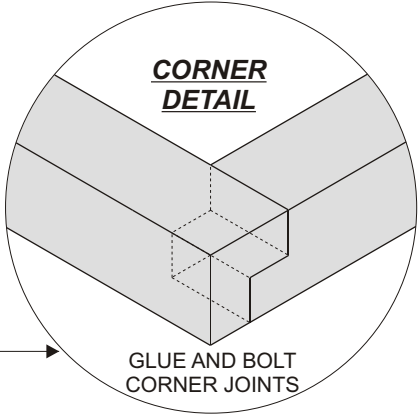
MATERIAL LIST

QUANTITY	SIZE	MATERIALS	REMARKS
7 pcs.	4" x 4" x 10'-0"	CEDAR OR PRESSURE TREATED	FRAME
40 pcs.	3/8" x 8"	LAG BOLTS OR GALVANIZED ARDOX SPIKES	FRAME HARDWARE
21 pcs.	2' x 5 1/4" x 10'-0"	BEVELED PLANKS CEDAR OR PRESSURE TREATED	DECKING
16 pcs.	3/4" DIA.	EYE BOLTS	DECKING HARDWARE
210 pcs.	3"- #12 or 4"- #12	ROBERTSON DECK SCREWS OR GALVANIZED NAILS	

5 1/4" BEVELED DECK PLANKS
14/32" SPACING BETWEEN PLANKS


3/4" DIA. EYE BOLTS
4 PER SIDE

3" ROBERTSON DECK SCREWS OR
4" GALVANIZED NAILS



CORNER DETAIL

GLUE AND BOLT CORNER JOINTS

Standard BACK COUNTRY RAISED TENT PAD 10FT	
File No:	Draft Date: 07/05
Approved By: <i>W. Marshall</i>	Revision No: Date: 01/08
Date:	Revision No: Date:
 Ministry of Tourism, Sport and the Arts	
Drawing Scale: 1" x 2' Sheet Size: 8.5" X 11"	
Drawing No: RST 481TP-2	