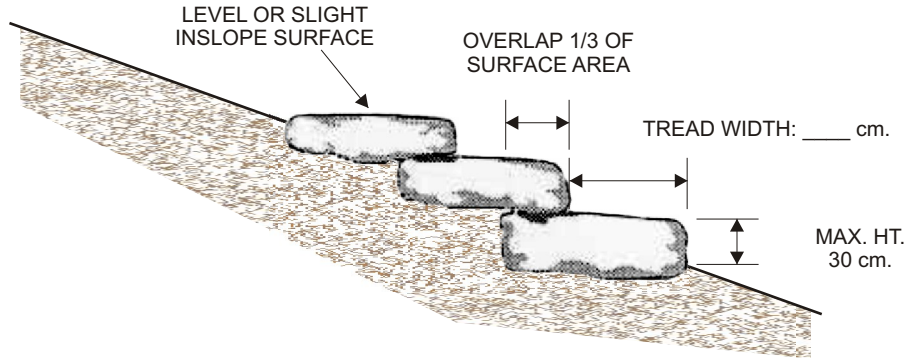
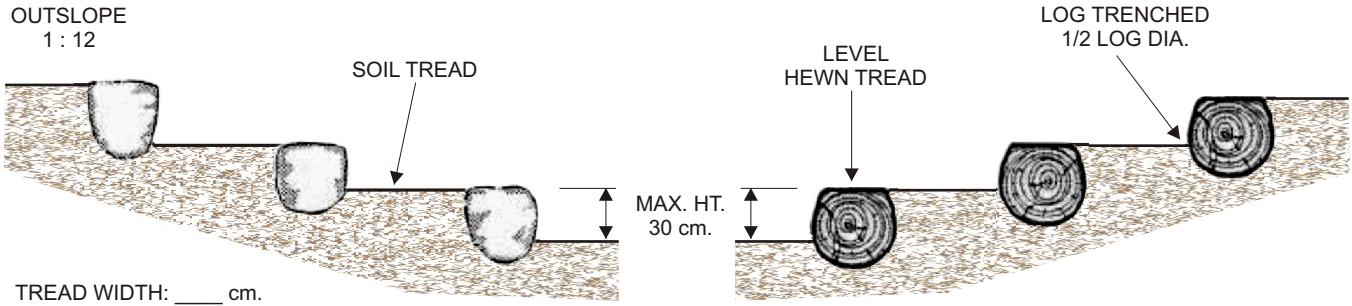


# STEPS - TYPICAL - ROCK AND LOG

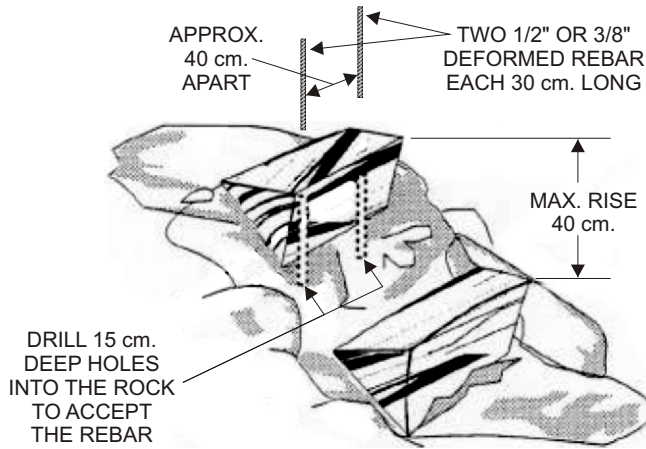
## OVERLAPPING ROCK STEPS



## ROCK AND LOG RISER STEPS

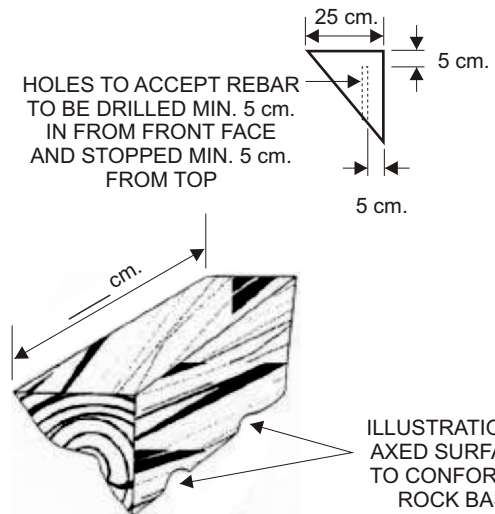



## PINNED STAIRWAY



TREADS SHALL BE SHAPED AND PLACED OVER REBARS TO PROVIDE A FIRM, SOLID CONTACT WITH THE ROCK AND SHOULD BE APPROXIMATELY LEVEL OR SLIGHTLY IN TOWARDS THE ROCK

## TYPICAL END VIEW OF TREADS



Standard		STEPS - TYPICAL - ROCK AND LOG	
File No:		Draft Date:	10/07
Approved By:	<i>W. Marshall</i>	Revision No:	Date: 01/08
Date:		Revision No:	Date:
 Ministry of Tourism, Sport and the Arts		Drawing Scale:	1 : 50 Sheet Size: 8.5" X 11"
		Drawing No:	RST 481-TS-1