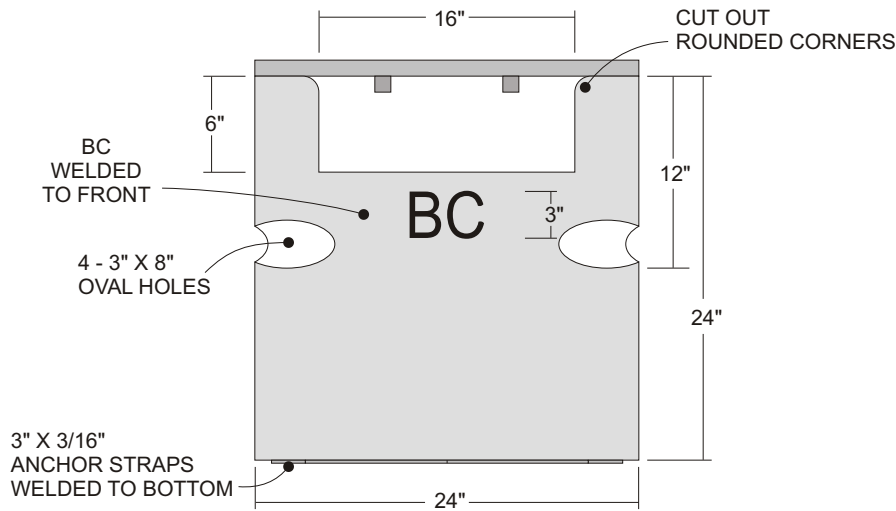
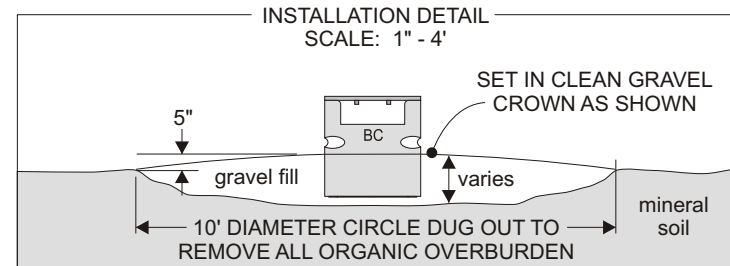


CAMPFIRE RING - METAL



FRONT ELEVATION



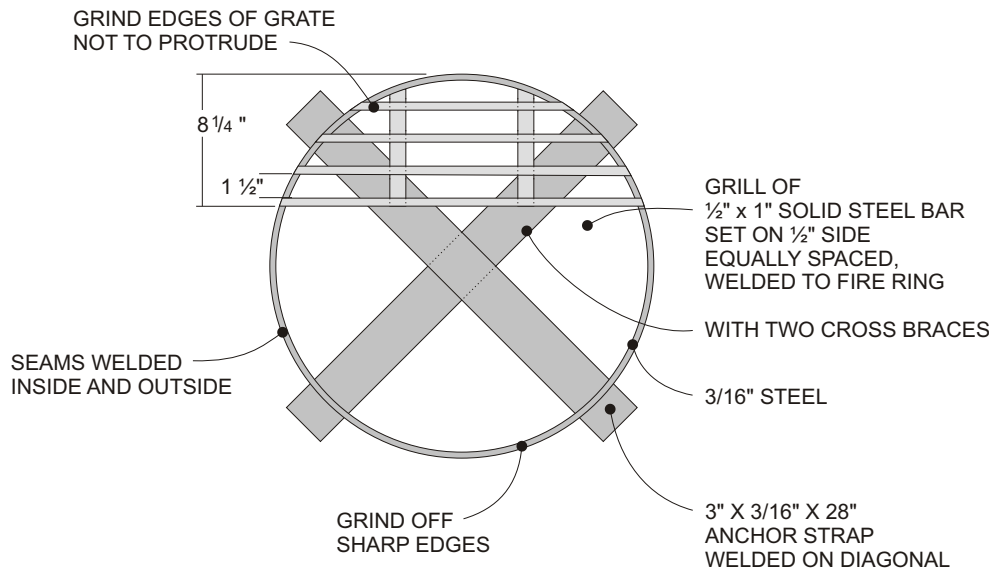
NOTES:

ALL COMBUSTABLE MATERIAL MUST BE REMOVED DOWN TO MINERAL SOIL FOR NOT LESS THAN 30cm IN EVERY DIRECTION FROM THE PERIMETER OF THE FIRE RING.


THE FIRE RING MUST NOT BE CLOSER THEN 3m TO ANY LOG, STUMP, SNAG, SLASH, WOODEN STRUCTURE OR STANDING TREE.

THE FIRE RING SHALL BE PLACED SO THAT NO OVERHANGING TREE BRANCH SHALL BE LOWER THAN 3m WITHIN THE PERIMETER OF THE FIRE RING.

GENERALLY, OPENING INSTALLED FACING THE PICNIC TABLE.



TOP PLAN

Standard		CAMPFIRE RING - METAL	
File No:		Draft Date:	07/05
Approved By:	<i>W Marshall</i>	Revision No:	Date: 01/08
Date:		Revision No:	Date:
 Ministry of Tourism, Sport and the Arts		Drawing Scale:	1" x 1" Sheet Size: 8.5" X 11"
		Drawing No:	RST 481-FR-1