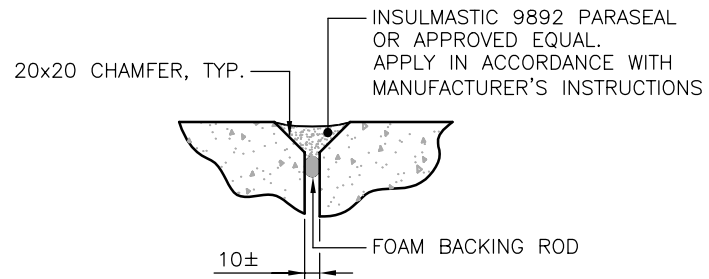
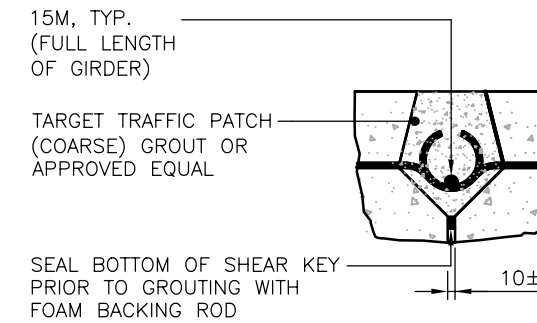


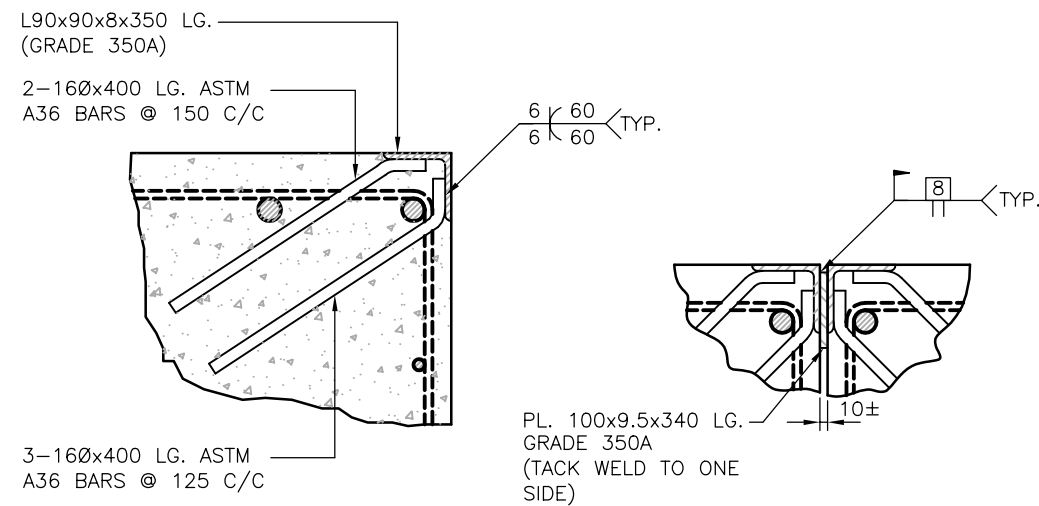
**JOINT FILLER DETAIL FOR UNCONNECTED SLABS**  
N.T.S.



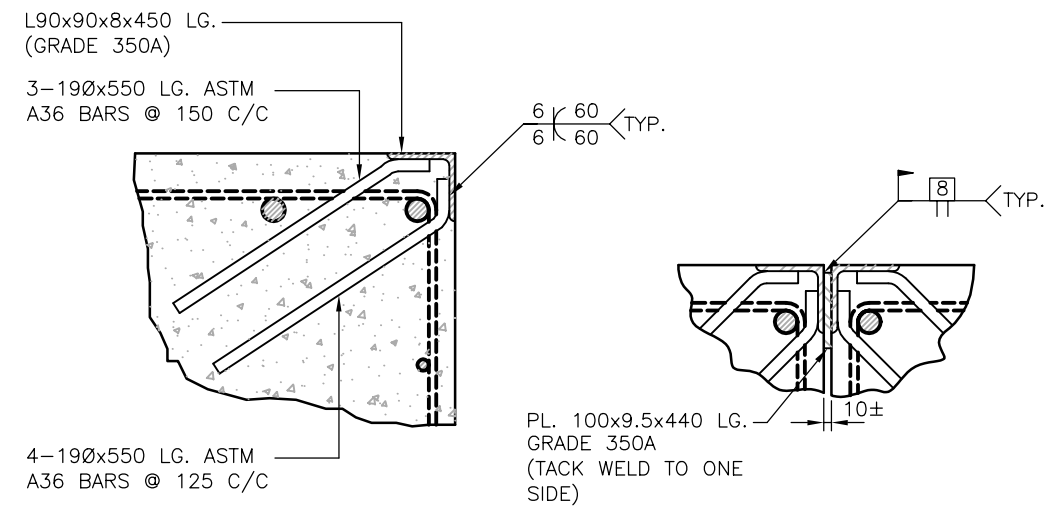
**JOINT FILLER DETAIL FOR WELDED SHEAR CONNECTED SLABS**  
N.T.S.



**JOINT FILLER DETAIL FOR GROUTED SHEAR KEY SLABS**  
N.T.S.



**BCL 625/ L100 SHEAR CONNECTOR DETAIL**  
(MAXIMUM SPACING: BCL 625 = 2400, L100 = 2000)



**L150/ L165 SHEAR CONNECTOR DETAIL**  
(MAXIMUM SPACING: L150 = 1800, L165 = 1800)

**ASSUME NOT TO SCALE**  
**ORIGINAL SIGNED AND SEALED**

SCALE AS SHOWN  
Designed: J.H. Date: MAR 2010  
Checked: D.J.H. Date: MAR 2010  
Drawn: W.R. Date: MAR 2010

**STANDARD BRIDGE DRAWING**

Rev	Date	DESCRIPTION	Init

**STANDARD PRECAST REINFORCED CONCRETE SLAB BRIDGE SLAB DETAILS - SHEET 2**

ORIGINAL SIGNED and SEALED BY: JULIEN HENLEY	APPROVED BY:
DESIGN ENGINEER	MOF ENGINEER
DATE: JULIEN HENLEY	DATE:
FILE No.	DRAWING No.
	<b>STD-EC-070-04</b>

REVISIONS