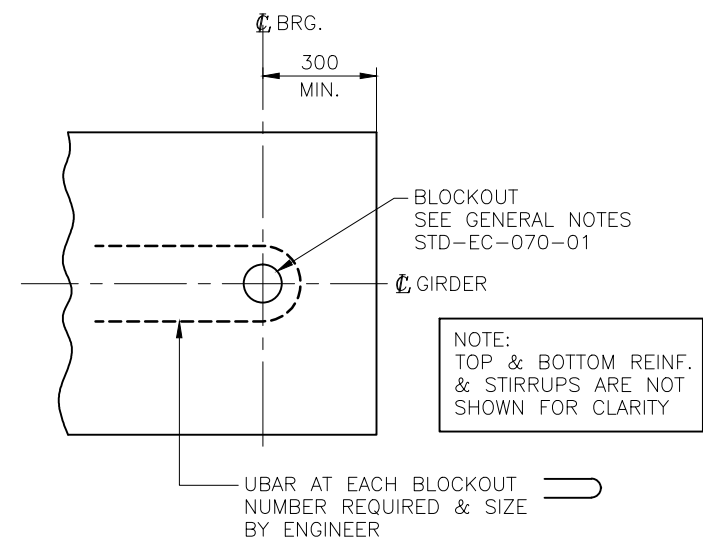
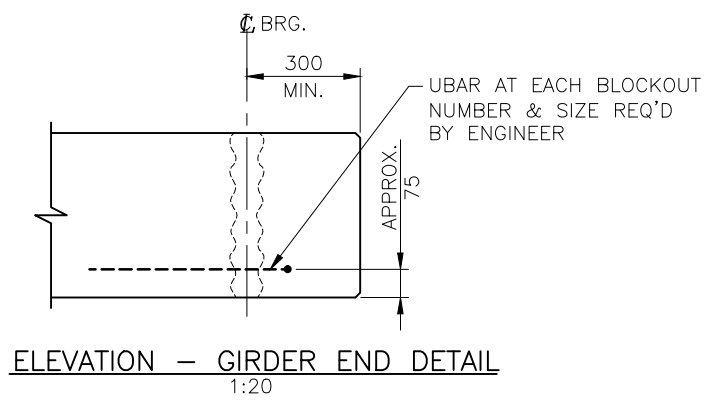


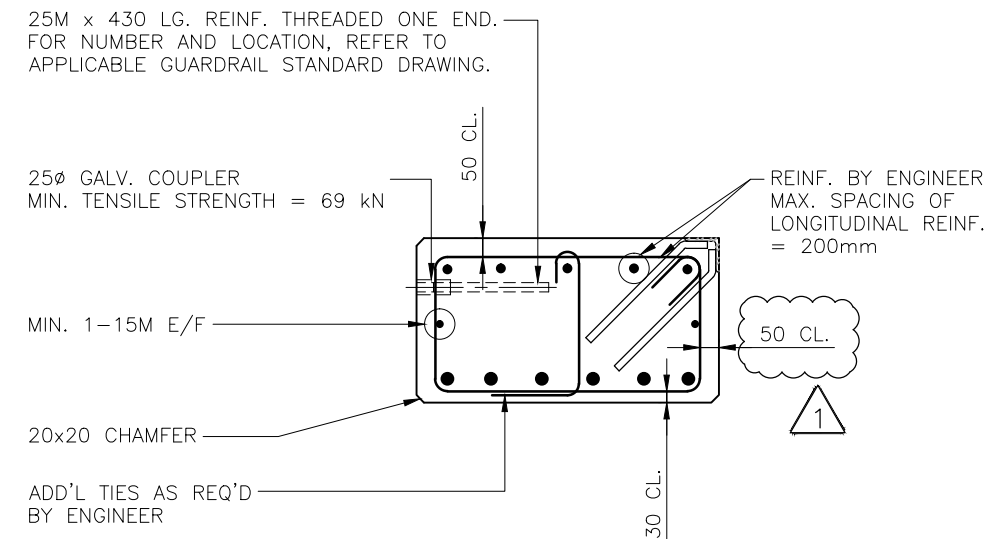
**PLAN - SKEWED GIRDER END DETAIL**  
1:20



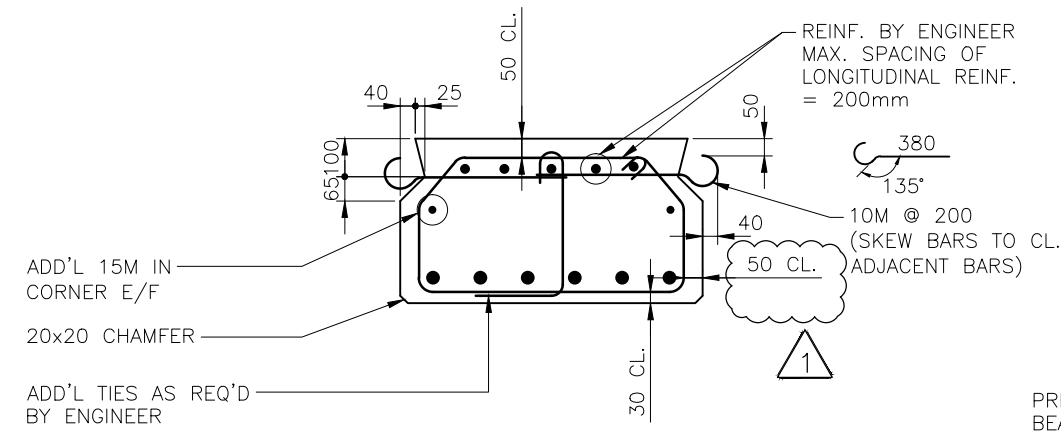
**PLAN - SQUARE GIRDER END DETAIL**  
1:20



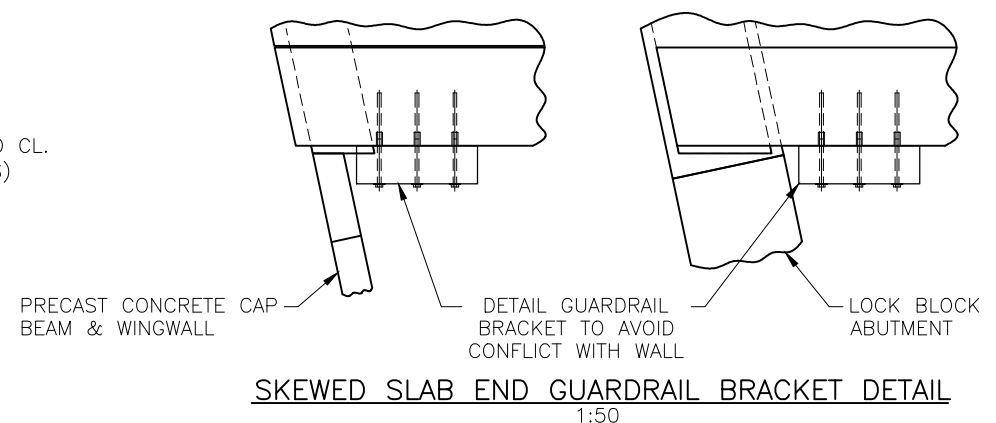
**ELEVATION - GIRDER END DETAIL**  
1:20



**EXTERIOR GIRDER DETAIL (WELDED SHEAR CONNECTION)**  
1:20



**INTERIOR GIRDER DETAIL (GROUTED SHEAR CONNECTION)**  
1:20



**SKEWED SLAB END GUARDRAIL BRACKET DETAIL**  
1:50

SCALE AS SHOWN		Designed J.H. Date MAR 2010	
		Checked D.L.H. Date MAR 2010	
		Drawn W.R. Date MAR 2010	
Rev	Date	DESCRIPTION	Init
1	08/10/16	REVISED DIMENSIONS	
REVISIONS			

**BRITISH COLUMBIA**  
The Best Place on Earth

**MINISTRY OF FORESTS & RANGE**  
ENGINEERING BRANCH, FIELD OPERATIONS DIVISION

**STANDARD BRIDGE DRAWING**

**STANDARD PRECAST REINFORCED CONCRETE SLAB BRIDGE SLAB DETAILS - SHEET 1**

ORIGINAL SIGNED and SEALED BY: <b>JULIEN HENLEY</b>	APPROVED BY:
DESIGN ENGINEER	MOF ENGINEER
DATE <b>JULIEN HENLEY</b>	DATE
FILE No.	DRAWING No.

**STD-EC-070-03** | 1