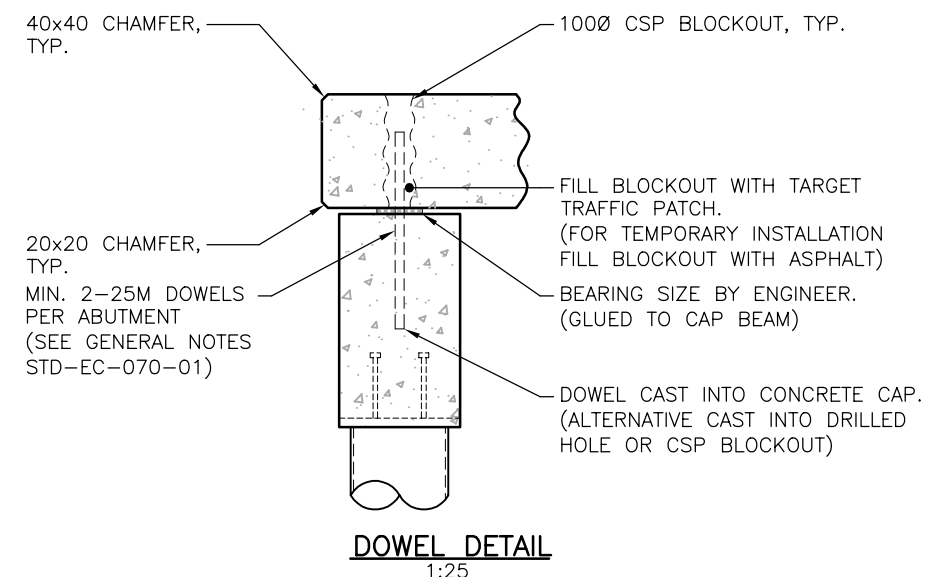
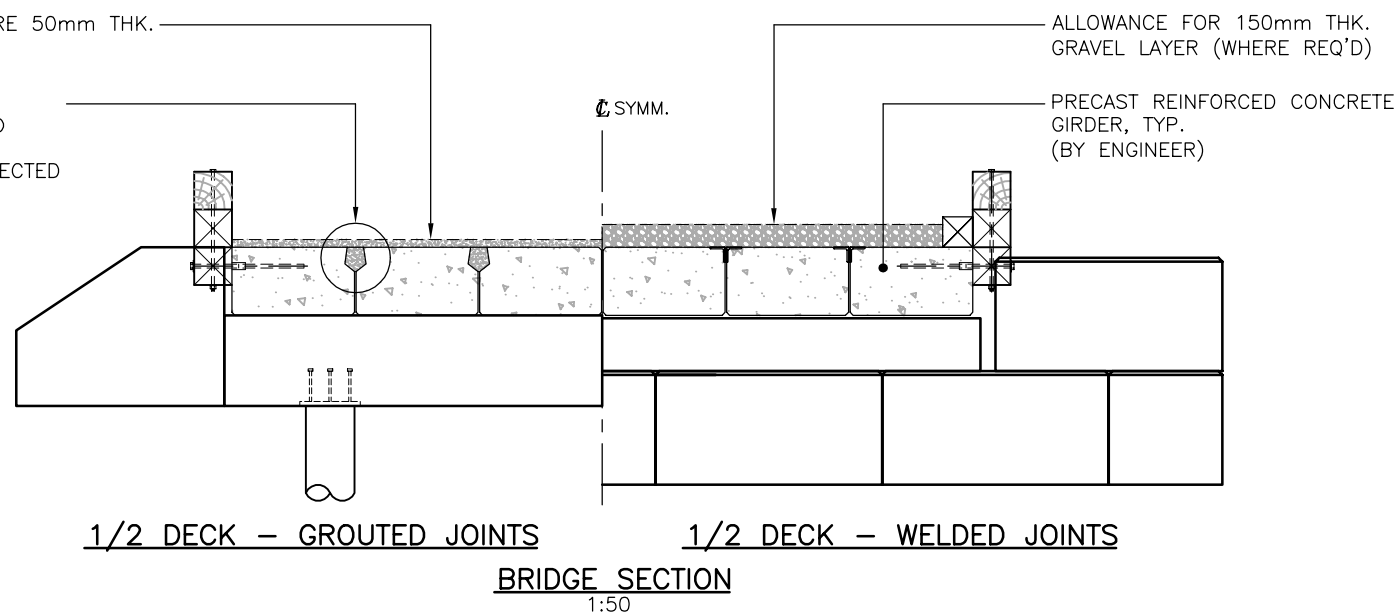


ALLOWANCE FOR FUTURE 50mm THK. CONCRETE OVERLAY

GIRDER JOINT, TYP.  
ALTERNATE 1: GROUDED  
ALTERNATE 2: WELDED  
ALTERNATE 3: UNCONNECTED  
STD-EC-070-04



**ASSUME NOT TO SCALE**

**ORIGINAL SIGNED AND SEALED**

SCALE AS SHOWN		Designed: J.H. Date: MAR 2010 Checked: D.I.H. Date: MAR 2010 Drawn: W.R. Date: MAR 2010		<b>STANDARD BRIDGE DRAWING</b>	
Rev	Date	DESCRIPTION	Init	<b>STANDARD PRECAST REINFORCED CONCRETE SLAB BRIDGE GENERAL ARRANGEMENT</b>	
1	APR. 2011	REVISED STANDARD DRAWING NUMBERS		ORIGINAL SIGNED and SEALED BY: JULIEN HENLEY	
				APPROVED BY:	
				DESIGN ENGINEER JULIEN HENLEY	MOF ENGINEER
				DATE	DATE
				FILE No.	DRAWING No.
					<b>STD-EC-070-02</b>
REVISIONS					