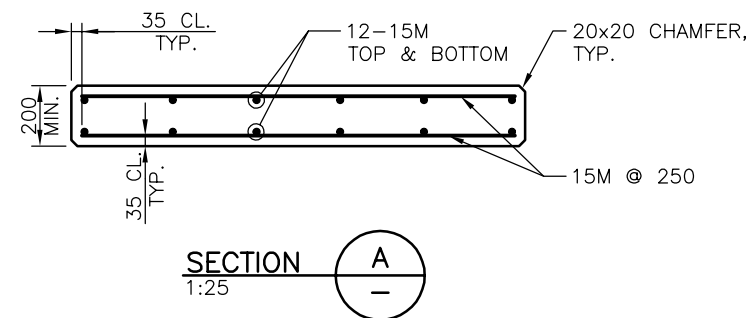


PRECAST CONCRETE BASE SLAB PLAN
1:25


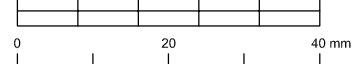


SECTION A
1:25

ASSUME NOT TO SCALE
ORIGINAL SIGNED AND SEALED

NOTES:

1. PRECAST CONCRETE BASE SLAB IS OPTIONAL AS PRESCRIBED BY ENGINEER. FOR USE WITH LOCK BLOCK ABUTMENT, REFER TO DWG. STD-EC-050-11 THRU STD-EC-050-13.
2. INSTALL LIFTING DEVICES AS REQUIRED.
3. NUMBER AND LENGTH OF PRECAST BASE SLAB SPECIFIED IN CONTRACT DOCUMENTS.

DESIGN ENGINEER	0 2 4 6 8 10 meters	 Ministry of Forests, Lands and Natural Resource Operations ENGINEERING BRANCH																								
	 SCALE AS SHOWN BAR LENGTH IS 40mm ON ORIGINAL.																									
Checked <u>JULIEN HENLEY</u> Date <u>14/04/01</u>	Drawn <u>ERFAN FARJOO</u> Date <u>14/04/01</u>	STANDARD BRIDGE DRAWING																								
<table border="1"> <thead> <tr> <th>Rev</th> <th>Date</th> <th>DESCRIPTION</th> <th>Init</th> </tr> </thead> <tbody> <tr><td> </td><td> </td><td> </td><td> </td></tr> <tr><td> </td><td> </td><td> </td><td> </td></tr> <tr><td> </td><td> </td><td> </td><td> </td></tr> <tr><td> </td><td> </td><td> </td><td> </td></tr> <tr><td> </td><td> </td><td> </td><td> </td></tr> </tbody> </table>		Rev	Date	DESCRIPTION	Init																					DRAWING TITLE: PRECAST CONCRETE BASE SLAB DETAILS (OPTIONAL FOR USE WITH LOCK BLOCK ABUTMENT)
Rev	Date	DESCRIPTION	Init																							
DESIGNED BY: HELEN DU, P.ENG.		APPROVED BY:																								
COORDINATING REGISTERED PROFESSIONAL:		FLNR ENGINEER:																								
FILE No.		DRAWING No. STD-EC-050-15																								
PROFESSIONAL SEAL	REVISIONS	0																								