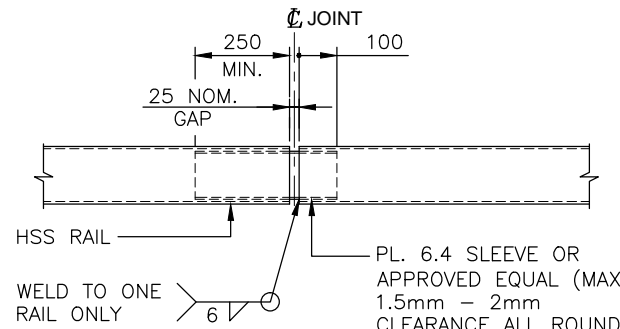
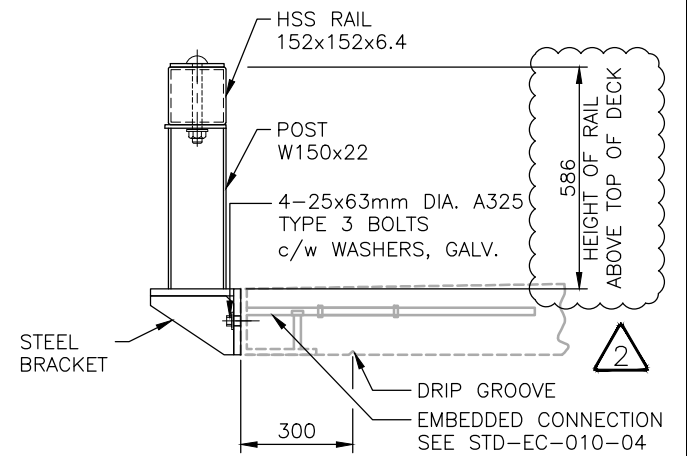


700 MAX. POST SPACING 1500± 2348± 2448± 600 MAX. 3048± 2348± 1500± 700 MAX. POST SPACING

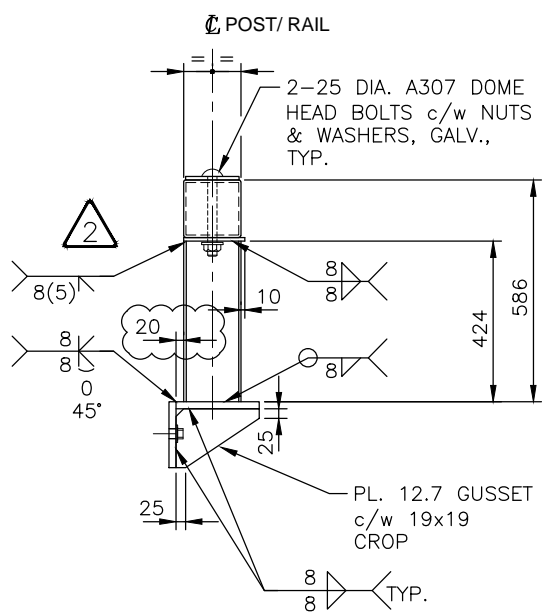
ELEVATION
1:100



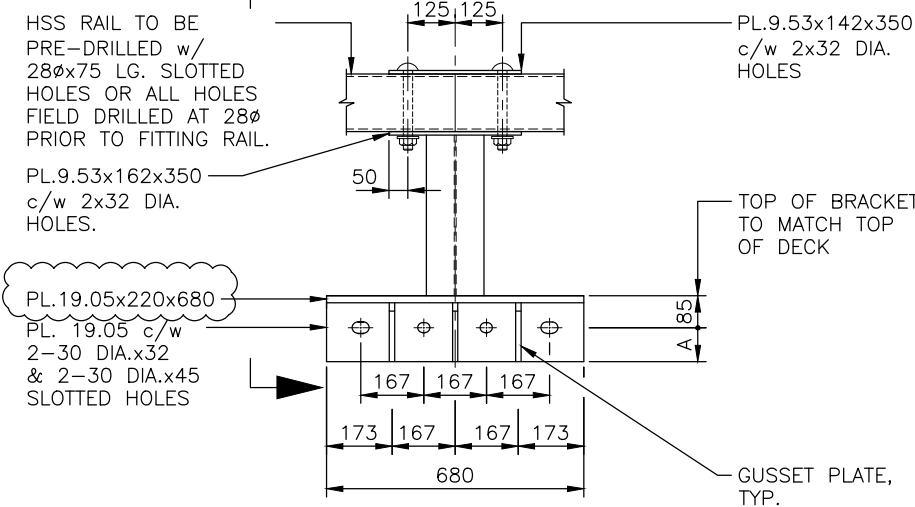
DETAIL 3
1:20



SECTION A
1:20



SECTION B
1:20



DETAIL 1
1:20

DECK THICKNESS	A
175	90
200	115
225	140

NOTES:

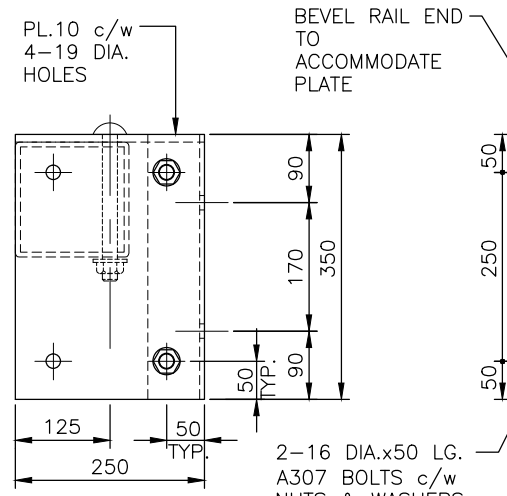
GENERAL

- GUARDRAILS HAVE BEEN DESIGNED TO MEET THE CRITERIA FOR CONTAINMENT LEVEL CL-3 AS DEFINED BY THE MINISTRY. GUARDRAILS HAVE NOT BEEN DESIGNED TO CONTAIN ERRANT VEHICLES.
- MAXIMUM POST SPACING = 3048 C/C.
- FOR GUARDRAIL ANCHOR DETAILS, SEE MINISTRY STANDARD DRAWINGS: STD-EC-010-04 - CL3 INSERT DETAILS

MATERIALS

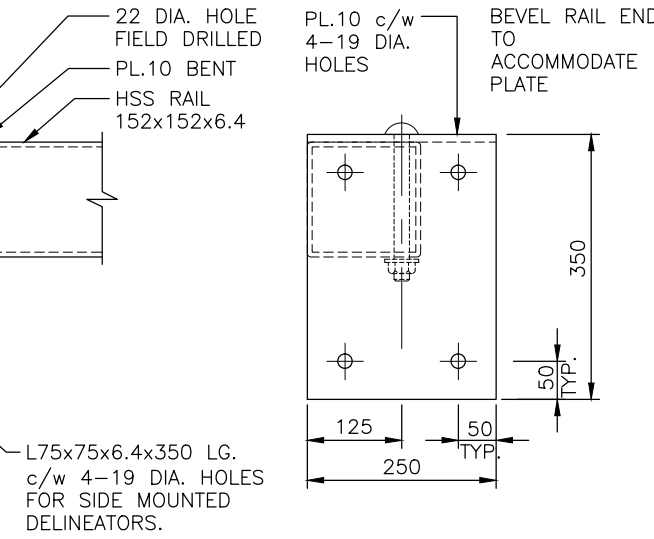
- STEEL:
 - RAILS
 - TO CSA G40.21M
 - GRADE 350W (COATED)
 - GRADE 350A (UNCOATED)
 - OR TO ASTM
 - A500 GRADE C (COATED)
 - A847 (UNCOATED)
 - POSTS TO CSA G40.21M
 - GRADE 350W (COATED)
 - PLATE TO CSA G40.21M
 - GRADE 350W (COATED)
 - GRADE 350A (UNCOATED)
- STEEL FABRICATION:
 - WELDING:
 - SHOP WELDING IN ACCORDANCE WITH CSA W59 FABRICATOR TO BE CERTIFIED FOR DIVISION 1, 2 OR 3 IN ACCORDANCE WITH CSA W47.1.
 - FIELD WELDING BY COMPANY CERTIFIED TO CSA W47.1, DIVISIONS 1, 2 OR 3.
 - MIN. 6mm FILLET WELD UNLESS OTHERWISE NOTED.
 - GUARDRAIL BRACKETS AND POST COATING TO BE EITHER:
 - GALVANIZED TO CSA G164 AS NOTED ON DRAWINGS. MINIMUM 610 g/m²; OR
 - PAINTED IN ACCORDANCE WITH MINISTRY STEEL GUARDRAIL COMPONENT PAINT STANDARD:
 - HSS RAIL TO BE PAINTED SAFETY YELLOW IN ACCORDANCE WITH MINISTRY STEEL GUARDRAIL COMPONENT PAINT STANDARD:

ASSUME NOT TO SCALE
ORIGINAL SIGNED AND SEALED



DETAIL 2
1:10

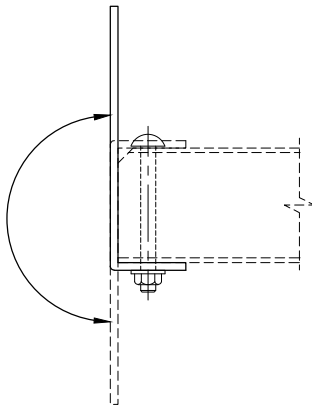
FOR SIDE MOUNTED DELINEATOR TAB OPTION



DETAIL 2
1:10

FOR FRONT MOUNTED DELINEATOR TAB OPTION

NOTE:
DELINEATOR ORIENTATION
BY OWNER



DETAIL 5
1:10

Rev	Date	DESCRIPTION	Init
1	2013/10/21	ISSUED TO CLIENT	
2	2016/01/06	REDUCED GAP DISTANCE & PLATE SIZE	

BRITISH COLUMBIA
The Best Place on Earth

MINISTRY OF FORESTS, LANDS & NATURAL RESOURCE OPERATIONS

SCALE AS SHOWN		Designed J.D. Date 2013/08/09	Checked J.H. Date 2013/08/09	Drawn W.S. Date 2013/08/09
STANDARD BRIDGE DRAWING				
STANDARD BRIDGE GUARDRAIL - HSS RAIL				
CL - 3				
ORIGINAL SIGNED and SEALED BY:		APPROVED BY:		
JULIEN HENLEY		MOF ENGINEER		
DESIGN ENGINEER		DATE		
JULIEN HENLEY		DATE		
FILE No.		DRAWING No.		
		STD-EC-010-03		