

COUPLER & REBAR EXTERIOR GIRDER ONLY
FOR GUARDRAIL CONNECTIONS
REFER TO DWG STD-E-010-01 FOR DETAILS

25 ϕ HEAVY DUTY
BURRARD COUPLER
(GALV)

4900 WIDE
4300 WIDE

25M x 500 LONG
THREADED 50

SYMM ABT
G U/N

TOP BARS UNIFORMLY SPACED
REFER TO TABLES 3-6, DWG 03
FOR SIZE & NUMBER OF BARS

10M ϕ 200
SKEW BARS TO CLEAR
ADJACENT BARS
(EPOXY COATED OR
2 COATS OF GALVACON)

10M CLOSED STIRRUP
REFER TO TABLES 3-6 DWG 03
FOR SPACING

OR 135°
HOOKS

FOR GIRDER DEPTH
REFER TO TABLE 1, DWG 03

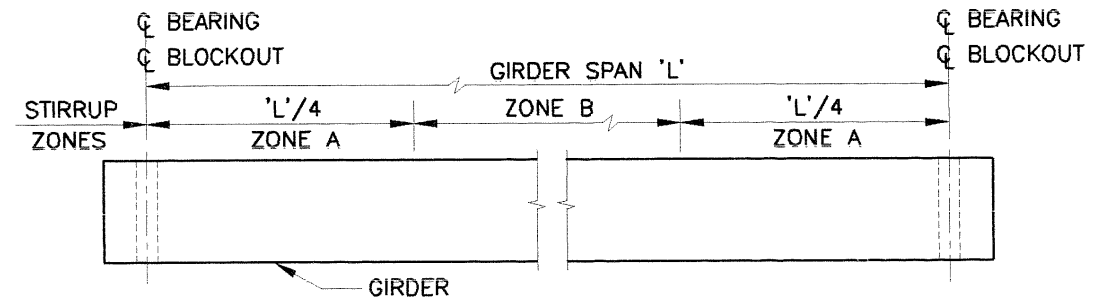
90 FOR L-75, L-100 & L-150
100 FOR L-165 TRUCK

BOTTOM BARS UNIFORMLY SPACED
REFER TO TABLES 3-6 DWG 03
FOR SIZE & NUMBER OF BARS

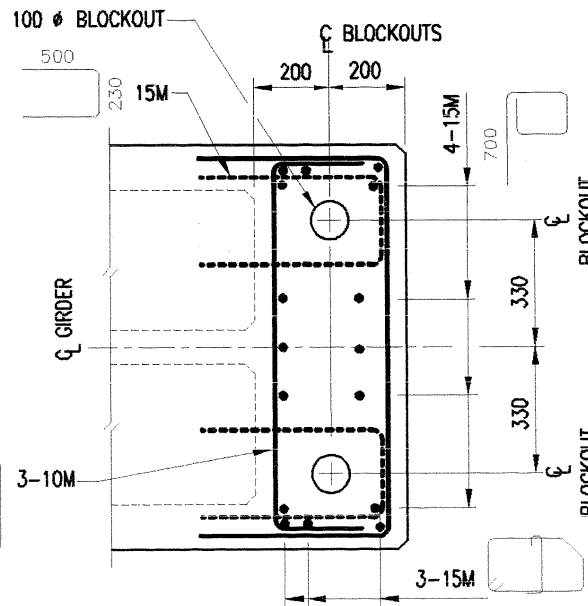
OPEN STIRRUPS ON G AT SAME SPACING
AS CLOSED STIRRUPS. REFER TO TABLE 2 DWG 03
FOR SIZE & NUMBER OF OPEN STIRRUPS (0, 1, 2)
AT PARTICULAR SECTION

TYPICAL EXTERIOR GIRDER
1:12.5

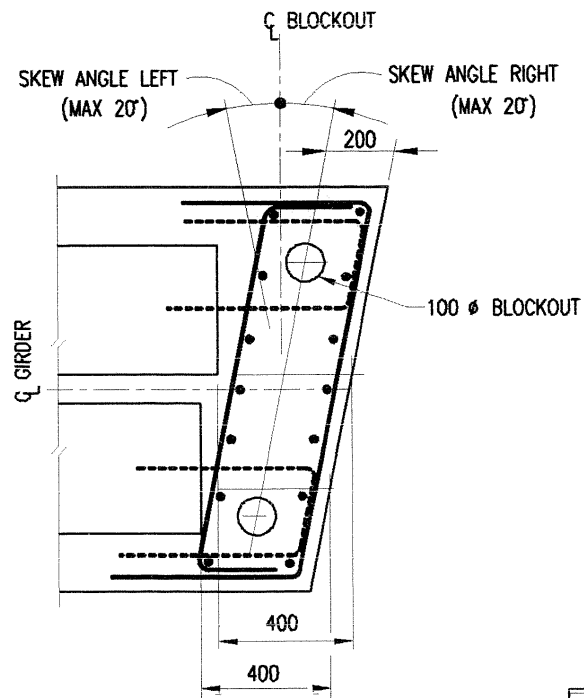
TYPICAL INTERIOR GIRDER
1:12.5
SIMILAR TO EXTERIOR GIRDER
EXCEPT AS SHOWN



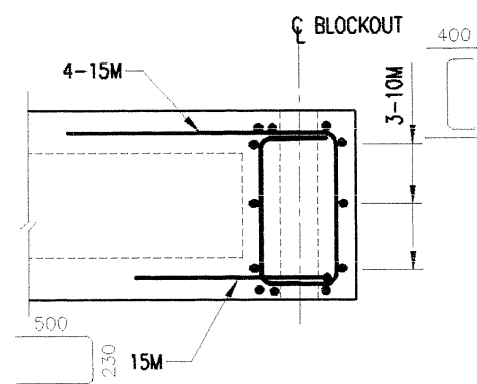
ELEVATION - GIRDER STIRRUP ZONES
1:12.5



PLAN - END GIRDER DETAILS
1:20



PLAN - SKEWED END GIRDER DETAILS
1:20



ELEVATION - END GIRDER DETAILS
1:20

ASSUME NOT TO SCALE

NOTE:
ALTERNATIVE BLOCKOUT DETAILS
MAY BE USED WHERE APPROVED

Rev	Date	Description	Init

Rev	Date	Description	Init



Province of British Columbia
MINISTRY OF FORESTS
RESOURCE TENURES AND ENGINEERING BRANCH

DESIGNED: GWT DATE: MAR/99
CHECKED: GWT DATE: MAR/99
DRAWN: DG DATE: MAR/99

ORIGINAL SIGNED AND SEALED BY:
GRAHAM W. TAYLOR, P.ENG.
DESIGN ENGINEER

APPROVED BY:
R. D. Davis
MCF ENGINEER

DATE: FILE No.
DATE: DRAWING No.

STANDARD BRIDGE DRAWING
PRECAST PRESTRESSED CONCRETE BOX GIRDERS
GIRDER DETAILS - SHEET 1

STD-E-060-02

CANCEL PRINTS BEARING PREVIOUS LETTER