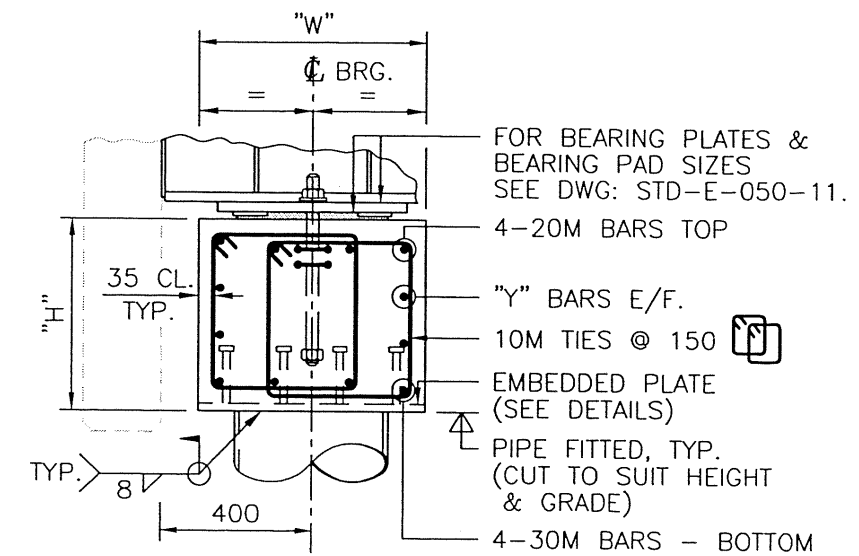


1/2 PRECAST CONCRETE CAP BEAM ELEVATION

1:20

LOADING/SPAN CAP DESIGN SCHEDULE (GIRDERS @ 3000 C/C.)				
SPAN	L75	L100	L150	L165
12000	A	A	N/A.	N/A.
18000	A	B	N/A.	N/A.
24000	B	C	N/A.	N/A.
30000	B	D	N/A.	N/A.
36000	C	D	N/A.	N/A.
39000	C	D	N/A.	N/A.

LOADING/SPAN CAP DESIGN SCHEDULE (GIRDERS @ 3600 C/C.)				
SPAN	L75	L100	L150	L165
12000	A	A	B	C
18000	A	B	D	E
24000	B	C	E	E
30000	C	D	E	E
36000	C	E	E	E
39000	D	E	E	E



PRECAST CONCRETE CAP BEAM SECTION

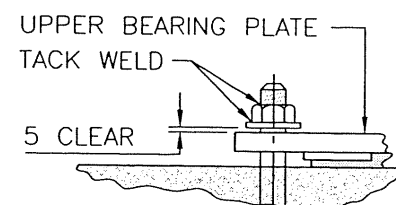
1:20

CAP DESIGN SCHEDULE				
CAP	"W"	"H"	"Y"	MAX PIPE ϕ
A	400	500	1-15M	323
B	400	600	2-15M	323
C	400	700	3-15M	323
D	400	800	4-15M	323
E	400	900	5-15M	323

NOTE: TYPICALLY CAP WIDTH IS DEPENDENT ON PIPE DIAMETER ONLY. ON LONGER SPANS THOUGH BEARING PAD DIMENSIONS MAY GOVERN. CHECK MIN. BEARING PAD DIMENSIONS BEFORE FINALIZING CAP WIDTH.

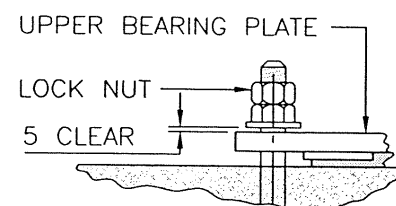
NOTES

- FOR DEFINITION OF LOADS REFER TO FOREST SERVICE BRIDGE DESIGN AND CONSTRUCTION MANUAL.
- DESIGN: CAN/CSA-S6-88 (MODIFIED). FOREST SERVICE BRIDGE DESIGN AND CONSTRUCTION MANUAL, JULY 1999.
- STEEL: CSA G40.21M GRADE 350AT CAT. 3 (PLATE)
- WELDING: CSA W59 6 F.W. U/N. FIELD WELDERS CERTIFIED TO CSA W47.
- STUDS: ASTM A108 GRADE 1020.
- CONCRETE: CAN3 A23.1 EXPOSURE CLASS C1, $f'_c = 35MPa$ @ 28 DAYS.
- PRECAST CONCRETE: CSA A23.4-94 BY CSA CERTIFIED PLANT.
- REINFORCING: CSA G30.18M GRADE 400.
- GROUT: INSTALL IN ACCORDANCE WITH MANUFACTURERS INSTRUCTIONS.
- WHERE LARGER DIAMETER PIPES ARE USED INCREASE CAP WIDTH "W" AND EMBEDDED PLATE DIMENSIONS ACCORDINGLY (SEE TABLE ON DWG. STD-E-050-63)



TYPICAL BEARING CONNECTION BOLT DETAIL

1:10



ALTERNATE BEARING CONNECTION BOLT DETAIL

1:10

ASSUME NOT TO SCALE

Rev	Date	DESCRIPTION	Init



Province of British Columbia
MINISTRY OF FORESTS
RESOURCE TENURES and ENGINEERING BRANCH

STANDARD BRIDGE DRAWING

**CONCRETE ABUTMENT CAP BEAMS FOR STEEL BRIDGES
CONCRETE CAP BEAM - 4 PILE/COLUMN SYSTEM**

ORIGINAL SIGNED and SEALED BY:
DAVID I. HARVEY, P.ENG.

APPROVED BY:
[Signature]

DESIGN ENGINEER
DATE JULIEN HENLEY, P.ENG

MOF ENGINEER
DATE

FILE No.

DRAWING No.

STD-E-050-65

CANCEL PRINTS BEARING PREVIOUS LETTER