

DECK THICKNESS	A
175	90
200	115
225	140

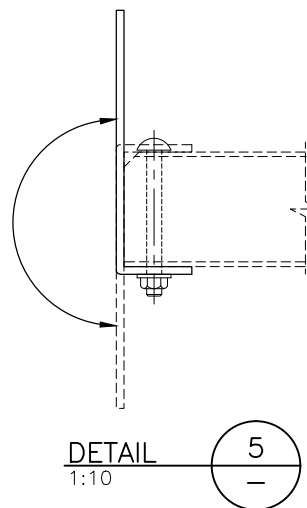
NOTES:

GENERAL

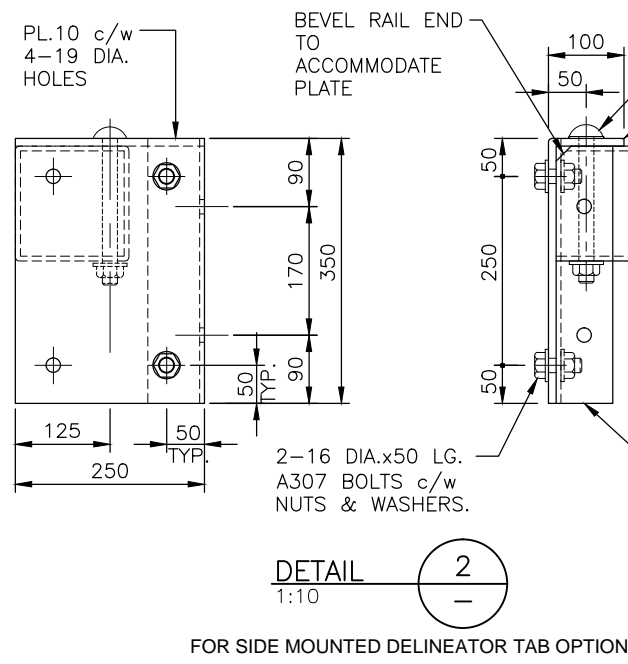
- GUARDRAILS HAVE BEEN DESIGNED TO MEET THE CRITERIA FOR CONTAINMENT LEVEL CL-3 AS DEFINED BY THE MINISTRY. GUARDRAILS HAVE NOT BEEN DESIGNED TO CONTAIN ERRANT VEHICLES.
- MAXIMUM POST SPACING = 3048 C/C.
- FOR GUARDRAIL ANCHOR DETAILS, SEE MINISTRY STANDARD DRAWINGS: STD-EC-010-04 - CL3 INSERT DETAILS

MATERIALS

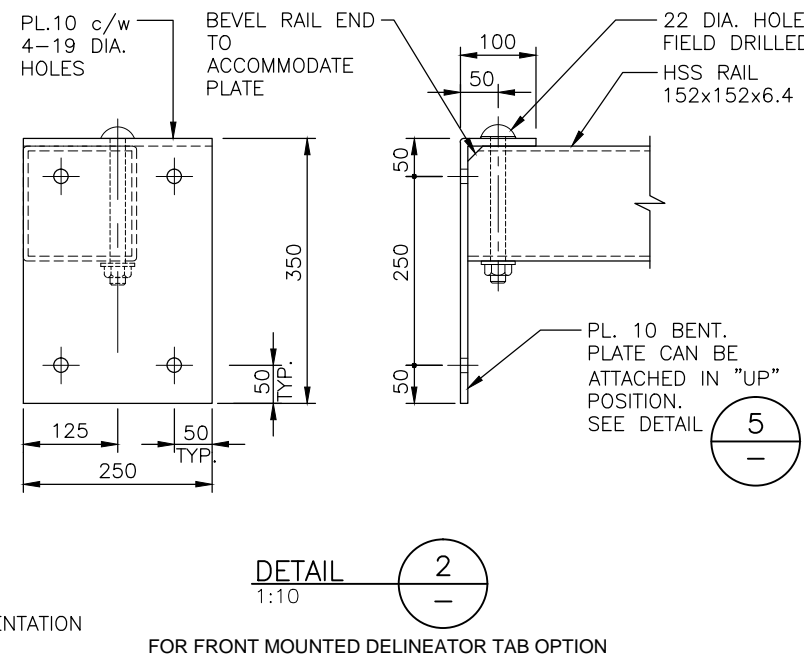
- STEEL:
 - RAILS
 - TO CSA G40.21M
 - GRADE 350W (COATED)
 - GRADE 350A (UNCOATED)
 - OR TO ASTM
 - A500 GRADE C (COATED)
 - A847 (UNCOATED)
- POSTS TO CSA G40.21M
 - GRADE 350W (COATED)
- PLATE TO CSA G40.21M
 - GRADE 350W (COATED)
 - GRADE 350A (UNCOATED)
 - GRADE 300W (COATED)
- STEEL FABRICATION:
 - WELDING:
 - SHOP WELDING IN ACCORDANCE WITH CSA W59 FABRICATOR TO BE CERTIFIED FOR DIVISION 1, 2 OR 3 IN ACCORDANCE WITH CSA W47.1.
 - FIELD WELDING BY COMPANY CERTIFIED TO CSA W47.1, DIVISIONS 1, 2 OR 3.
 - MIN. 6mm FILLET WELD UNLESS OTHERWISE NOTED.
 - GUARDRAIL BRACKETS AND POST COATING TO BE EITHER:
 - GALVANIZED TO CSA G164 AS NOTED ON DRAWINGS. MINIMUM 610 g/m²; OR
 - PAINTED IN ACCORDANCE WITH MINISTRY STEEL GUARDRAIL COMPONENT PAINT STANDARD:
 - HSS RAIL TO BE PAINTED SAFETY YELLOW IN ACCORDANCE WITH MINISTRY STEEL GUARDRAIL COMPONENT PAINT STANDARD:



ASSUME NOT TO SCALE
ORIGINAL SIGNED AND SEALED



NOTE: DELINEATOR ORIENTATION BY OWNER



Rev	Date	DESCRIPTION	Init
1	2013/10/21	ISSUED TO CLIENT	
2	2016/01/06	REDUCED GAP DISTANCE & PLATE SIZE	
3	2017/05/25	ADD PLATE MATERIAL GRADE	

MINISTRY OF FORESTS, LANDS & NATURAL RESOURCE OPERATIONS
The Best Place on Earth

STANDARD BRIDGE DRAWING

STANDARD BRIDGE GUARDRAIL - HSS RAIL
CL - 3

ORIGINAL SIGNED and SEALED BY: **JULIEN HENLEY**

APPROVED BY: _____

DESIGN ENGINEER: **JULIEN HENLEY**

MOF ENGINEER: _____

DATE: _____

DATE: _____

FILE No. _____

DRAWING No. _____

STANDARD: STD-EC-010-03