

HBS PHASE 3

DELIVERED DOCUMENT COMPOSITION



Version 3.0 (August 16, 2004)

Harvest Billing System Project

For the
Ministry of Forests
Revenue Branch



Sierra Systems Group Inc.
880 Douglas Street, Suite 500
Victoria, BC V8W 2B7
www.SierraSystems.com

Contact: Colin MacArthur
Phone: 250-385-1535
Fax: 250-385-4761
<mailto:ColinMacArthur@SierraSystems.com>
Dated: August 16, 2004

REVISION HISTORY

| Date | Version | Description | Author |
|------------------|---------|---|----------------|
| October 28, 2002 | 1.0 | Original | Sierra Systems |
| December 9, 2002 | 1.1 | Updated to include the information in the mock up reports | Sierra Systems |
| August 30, 2003 | 2.0 | Significant Rewrite Added new terminology Refined and eliminated text based on reviews | Sierra Systems |
| October 6, 2003 | 2.1 | Documented minor changes to schema <ul style="list-style-type: none">Added field 'Related-Statement-Number' to invoice transactions. Cancels and Replacements (With and Without Changes) include this field and provide a link to the invoice originally issued. This field is NOT used on Originals.Added fields identifying client location for whom transmission file is prepared Added tables describing Invoice identifier field population for invoicing scenarios (s 4.2.9 and 4.4.8) Clarified various descriptions Added significant volumes of test data | Sierra Systems |
| August 16, 2004 | 3.0 | Added request header for on-request delivery of statements | Sierra Systems |

TABLE OF CONTENTS

| | |
|---|-----------|
| 1. OVERVIEW | 4 |
| 1.1. BACKGROUND..... | 4 |
| 1.2. HBS DOCUMENTS DESIGNATED FOR ELECTRONIC COMMERCE | 4 |
| 1.3. DELIVERY OPTIONS | 4 |
| 1.4. PROCESS FOR ELECTRONIC DELIVERY..... | 5 |
| 2. TRANSACTION DESCRIPTIONS | 7 |
| 2.1. INVOICES AND VOLUME STATEMENTS | 7 |
| 2.2. COMPILED SAMPLE STATEMENTS..... | 8 |
| 2.3. RATIO STATEMENTS..... | 9 |
| 3. XML OVERVIEW | 10 |
| 3.1. XML STRUCTURE VALIDATION..... | 10 |
| 3.2. DEFINITIONS..... | 10 |
| 4. XML STRUCTURE FOR HBS DOCUMENTS | 11 |
| 4.1. TRANSMISSION FILE STRUCTURE..... | 11 |
| 4.2. PIECE SCALE INVOICE STRUCTURE..... | 14 |
| 4.3. PIECE SCALE VOLUME STATEMENT STRUCTURE | 22 |
| 4.4. WEIGHT SCALE INVOICE STRUCTURE..... | 23 |
| 4.5. WEIGHT SCALE VOLUME STATEMENT STRUCTURE | 30 |
| 4.6. COMPILED SAMPLE STATEMENT STRUCTURE | 30 |
| 4.7. RATIO STATEMENT STRUCTURE | 34 |

APPENDICES

| | |
|---|-----------|
| APPENDIX A. RESOURCE FILES | 39 |
| APPENDIX B. EXAMPLE DATA | 40 |

1. OVERVIEW

1.1. Background

The Ministry will be introducing true electronic commerce for delivery of specified documents with the implementation of Phase 3 of the HBS. This functionality will be deployed in October of 2003.

The current process where non-official copies of S&R invoices are sent to licensees via EDI will be decommissioned and will be replaced by the new processes described in this document.

Documents issued prior to the deployment of the HBS Phase 3 will not be available in this format.

1.2. HBS Documents Designated for Electronic Commerce

Documents to be delivered electronically by HBS will include those listed in the following table.

| Document Type | Description |
|--------------------------------|--|
| Piece scale invoices | Invoice for crown timber computed from either XML log tally detail records or FS72 style summaries of scale. |
| Piece scale volume statements | Scale summary for NON-crown timber computed from either XML log tally detail records or FS72 style summaries of scale. These records are functionally equivalent to piece scale invoices. |
| Weight scale invoices | Invoice for crown timber computed from either XML weigh slip and sample tally detail records or FS493 style summaries of scale and FS531 style computed sample summaries. |
| Weight scale volume statements | Scale summary for NON-crown timber computed from either XML weigh slip and sample tally detail records or FS493 style summaries of scale and FS531 style computed sample summaries. |
| Compiled sample statement | Official record of inclusion of samples in ministry sample statistical file against a given population stratum and sampling year. Computed from either XML sample tally detail records or FS531 style computed sample summaries. |
| Ratio computation statement | Official record of ministry sample statistical file for a given population stratum and sampling year at a given date Includes a statement of the current species, grade and ratio profile at the statement date and a listing of samples compiled since the last statement. |

1.3. Delivery Options

Ministry clients will register to receive these documents in one of three ways:

- 1) **Paper:** this will be the default available to all clients. When the HBS Phase 3 is installed all clients will be configured to receive the designated reports via paper.
- 2) **Attended Electronic Delivery:** clients configured for this option will have designated employees who receive email links to files that contain electronic versions of ALL reports designated for electronic commerce. The client employee will be responsible for retrieving all data files.
- 3) **Unattended Electronic Delivery:** clients configured for this option will have files that contain electronic versions of ALL reports designated for electronic commerce posted to the ministry FTP server. The client will be responsible for retrieving all data files posted to the FTP server. An email will also be sent to a designated employee of the client whenever a new file is posted to the FTP site.

For a given client, ALL reports designated for electronic delivery will be delivered in the manner selected. It will not be possible for example to receive ratio reports via paper and piece scale invoices using one of the electronic delivery options.

1.4. Process for Electronic Delivery

HBS will notify Industry when a batch file of electronic documents is available for delivery by means of E-mail notifications to designated industry staff members called Industry Document Receivers. These notifications will contain hypertext links to electronic files of the designated documents (described in the previous section), in PDF and XML format.

1.4.1. Methods

Two methods will be provided for Industry to receive electronic documents:

- **Attended Delivery:** initiated from an HBS screen via an Internet Browser,
- **Unattended Delivery:** initiated via the Internet File Transfer Protocol (FTP).

1.4.2. Automatic Electronic Delivery Of Originals

HBS will provide for the automatic electronic delivery of original documents. This encompasses invoices, volume statements, compiled samples, and ratio reports. The HBS strategy for this is as follows:

- The HBS will periodically create electronic files of the designated documents, in two industry-standard formats:
 - PDF (portable document format)
 - XML format (extensible mark-up language)
- Once created by HBS these files will reside on the Ministry's HBS FTP server.
- These files will be assembled by ministry CLIENT LOCATION code. Data will be sent to both the invoice-to and copy-to clients. These clients do not have to be configured to receive data in the same manner. E.g. the invoice-to client on an invoice can be configured for paper delivery and the copy-to client can be configured for electronic delivery. Only one copy of the invoice will be delivered where the client is both the 'COPY-TO' and the 'SEND-TO'
- For clients configured for Attended Delivery
 - HBS will send e-mails to designated recipients, employed by industry clients
 - Selecting the links in the e-mail will initiate an Internet-based file transfer of the selected file from the HBS to the recipient's network.
- Clients configured for Unattended Delivery will be expected to periodically retrieve the files created on the ministry FTP server. Files will be stored in FTP folders keyed by CLIENT code. The data files stored in those directories will be prepared for an individual CLIENT LOCATION code. Industry Clients will have DELETE access to these files on the Ministry FTP server. This will allow the clients to DELETE the files once downloaded. This will allow software providers the ability to construct simpler software processes to manage this data.

In addition

- HBS will not initiate the transfer of these electronic files to industry computers
- HBS will not require or expect confirmation of receipt of e-mail from recipients

1.4.3. “Memorandum of Understanding”

The Ministry will develop a Memorandum of Understanding for client/locations with whom it wishes to engage in electronic delivery of the designated documents. The purpose of this agreement is to confirm the understanding that the delivery of documents in the manner described is the electronic equivalent of the physical delivery of the paper documents.

The agreement has been developed by Revenue Branch and will be administered by Region, and will be signed by authorized representatives of each client/location to whom the Ministry wishes to send electronic documents.

HBS will provide client/locations with the option to receive the designated documents either electronically or on paper. The choice will be recorded in the HBS Document Delivery Profile, for each client and location.

The initial configuration for these options will be that all clients will be configured to receive PAPER invoices ONLY. Once the ministry has received a signed Memorandum of Understanding from a given CLIENT LOCATION, that CLIENT LOCATION will be configured for the option selected.

1.4.4. On-Request Provision of Electronic Copies of Original Documents

In addition to the functionality defined above, the HBS will provide the functionality to select XML or PDF copies of invoices previously delivered. This will provide the opportunity extract data from the HBS for import to another system.

The data files provided will be individual XML and PDF files for a given by HBS Transmission Identifier. Delivered documents will be grouped in the HBS by this identifier regardless of the delivery method above.

The selection criteria for this option provide lists of transmission for a given

- Client Location and
- Transmission Date Range

Once transmission files are identified by the system the user may save the transmission file from the HBS to his or her local machine for subsequent processing.

Where a user selects a custom set of documents based on a selection screen, the HBS will construct custom exports of HBS statements using the schema defined in this document. When this occurs the HBS will add an optional hbs-request-header block to the generated XML file. This extra information will identify the request and document the parameters of the request.

2. TRANSACTION DESCRIPTIONS

2.1. Invoices and Volume Statements

For the purposes of this chapter, all discussion referring to invoices also applies to volume statements.

The new HBS invoice maintains the concept of summarizing detailed load data onto a single invoice.

Invoices are prepared from

- **Submitted Summaries:** Invoices are computed directly from old-style summary documents (FS72, FS493...)
- **Generated Summaries:** Invoices are computed from interim documents that summarize measurements from new-style load details (log tallies and weigh slips). References to these interim documents are included on issued invoices.

Invoices have:

- One invoice header
- One or more segregation detail lines. A segregation is a record that presents a volume and value for a unique combination of Product, Species and Grade.
- One segregation details total
- Zero or more notation details for the invoice
- One fine-print section that has text that describes issues such as the terms of payment and the FOI status of the document.

If the invoice was prepared from a Generated Summary, then there will be a section that lists the loads that were accumulated to prepare that invoice. This section will include the following items:

- One or more detail document lines. The volume and value invoiced by summarized load will be presented. These lines will contain sufficient information to enable either industry staff or computer systems to be able to reconcile detailed loads submitted to loads invoiced.
 - Business Reference Items
 - Piece Scale: scaler license, return number, load arrival number
 - Weight Scale: weigh slip number
 - Technical Reference Items
 - DDN, DV which uniquely identify a given scale document and are provided on the detailed document submitted
 - Transaction Sequence that is incremented each time a given load (identified by DDN and DV) is invoiced.
- One detail document total section

2.1.1. Corrections

Invoice corrections are based on the following strategy:

For invoices based on detail documents, the entire load is credited and then re-invoiced. This is the case even if the correction does not involve a change in the client to whom the invoice is delivered. When this occurs, the transaction-sequence field described earlier is incremented.

In the case of an invoice that is generated using the weight scale system, the credit will be an exact cancellation of the volume and value invoiced rather than a credit for negative weight. There are scenarios where the two scenarios described will deliver differing results.

2.2. Compiled Sample Statements

Each sample that is provided to the HBS is compiled into a summarized transaction that accumulates the measurements on the sample against the Population, Stratum and Sampling Year recorded on the sample header.

Sample statements are prepared from

- **Submitted Summaries:** Sample statements are computed directly from old-style summary documents (FS531...)
- **Generated Summaries:** Sample statements are computed from new-style Sample Tally XML documents

Sample statements have:

- One sample statement header
- One or more segregation detail lines. A segregation is a record that presents a volume fraction and ratio for a unique combination of Product, Species and Grade.
- One segregation details total
- Zero or more notation details for the sample statement.
- One fine-print section that has text that describes issues such as the terms of payment and the FOI status of the document.

If the sample statement was prepared from a XML Sample Tally, then there will be a section that details additional information from that tally. This section will include the following items:

- One detail document lines. The volume and weight of the summarized load will be presented. This line will contain sufficient information to enable either industry staff or computer systems to be able to reconcile detailed loads submitted to loads invoiced.
 - Business Reference Items
 - Sample Scale: scaler license, return number, weigh slip number
 - Technical Reference Items
 - DDN, DV which uniquely identify a given scale document and are provided on the detailed document submitted
 - Transaction Sequence that is incremented each time a given load (identified by DDN and DV) is compiled.

2.2.1. Corrections

Sample statement corrections are based on the following strategy:

A correction to a sample (Detail or Summary) will result in two compiled sample statements being generated. There will be one crediting the original measurements compiled to the original population, stratum and sampling year and another generated that completely replaces the original.

2.3. Ratio Statements

Periodically, a summary of the cyclic year-to-date sample volume, sample weight and derived ratios recorded against a population, stratum and sampling year is prepared.

Ratio statements have:

- One Ratio statement header
- One or more segregation detail lines. A segregation is a record that presents a volume and ratio for a unique combination of Species and Grade.
- One segregation details total
- One or more detail document lines for each compiled sample included against the Population, Stratum and Sampling Year of this Ratio Statement since the last Ratio Statement. The volume and weight of the summarized load will be presented. This line will contain sufficient information to enable either industry staff or computer systems to be able to reconcile Compiled Samples to Ratio Statements.
 - Reference Items
 - Compiled Sample Statement: Statement Number, scaler license, return number, weigh slip number
- One sample-totals total
- One fine-print section that has text that describes issues such as the terms of payment and the FOI status of the document.

2.3.1. Corrections

As Ratio Statements represent the state of a given Population, Stratum and Sampling Year at a given point, there is no need to describe correction transaction for these documents.

3. XML OVERVIEW

The XML Schema is compliant with the W3C XSD Recommendation of March 2001.

The schema will be described in two forms in this document. This section will contain pictorial depictions of the XML schemas. The text XSD file will also be included in the next chapter of this document.

The following nomenclature will be used to describe the schema in this document.

| Diagram Component | Mandatory | Optional |
|----------------------------------|-----------|----------|
| XML element | | |
| Collection of elements | | |
| Sequence (expanded) of elements | | |
| Sequence (collapsed) of elements | | |
| Choice (expanded) of elements | | |
| Choice (collapsed) of elements | | |

3.1. XML Structure Validation

Data provided by the HBS in XML will be formatted to exactly the rules specified by the published XSD schema. Any system importing the XML data should process the XML data against the published schema. This validation is typically a singular operation. If one element in the XML file has the incorrect format or is positioned incorrectly, the entire file is deemed invalid.

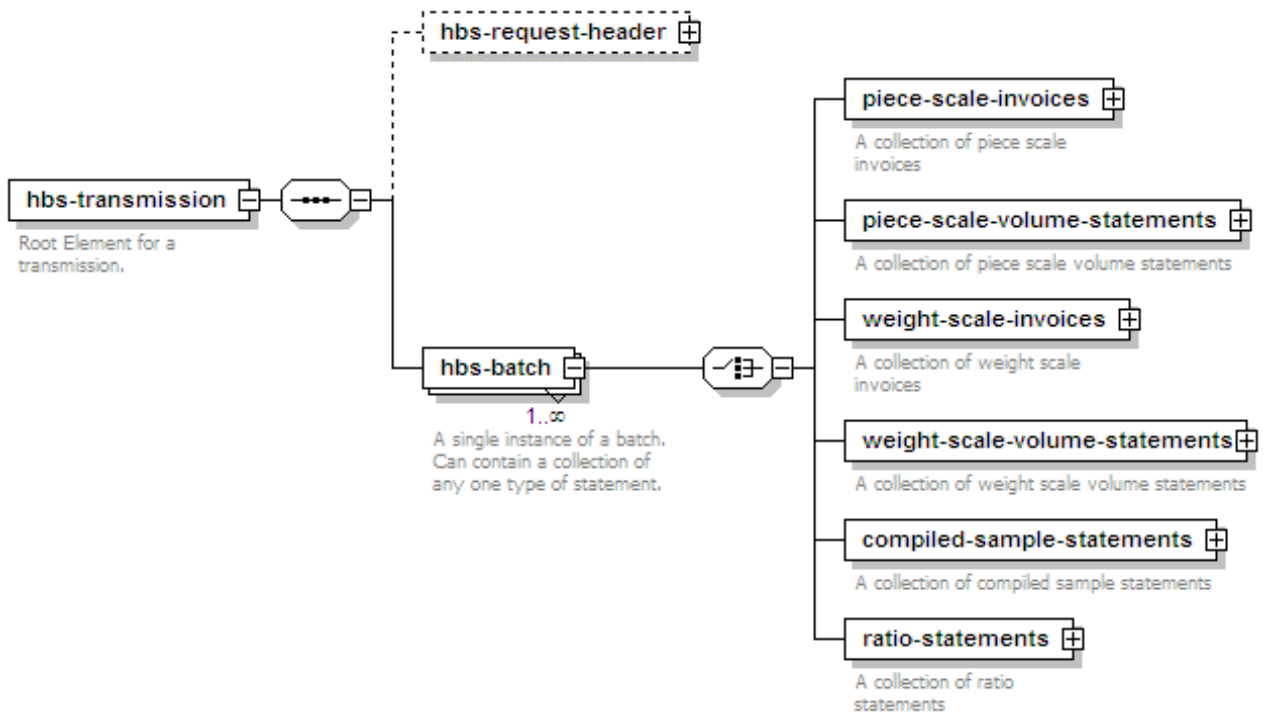
3.2. Definitions

In the tables below, the following terms are used:

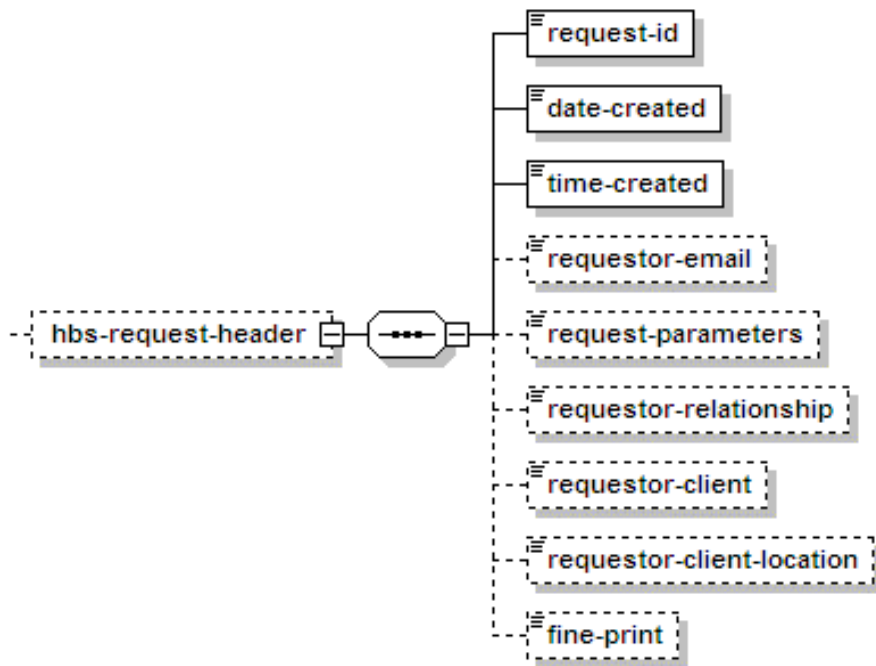
- Format = **Numeric** means right-justified with leading zeros truncated (except the last digit to the left of the decimal point).
- Format = **Alphanumeric** means left justified with trailing blanks truncated.
- Format = **Date** means an 8-digit number, formatted as CCYY-MM-DD. (Changed to match the XML Date data type)
- Format = **Time** means an 6-digit number, formatted as HH:MM:SS. (Changed to match the XML Time data type)
- Length provides the maximum number of character positions that the data field can occupy. For numeric data fields, a decimal point in the length indicates that some one of the character positions will be a decimal point. The digit to its right indicates how many character positions will appear to the right of the decimal point. For example length = 6.5 means 6 character positions, 1 to the left of the decimal point and five to the right, ("1.23456").
- Status = **Required** means the data field will always be present.
- Status = **Optional** means the data field may or may not be present.

4. XML STRUCTURE FOR HBS DOCUMENTS

4.1. Transmission File Structure



4.1.1. Attributes of hbs-request-header



| Data Field | Length | Format | Status | Description |
|---------------------------|--------|--------------|----------|---|
| Request-id | 10 | Numeric | Required | Identifies File |
| date-created | 8 | Date | Required | Date Request File Is Created |
| time-created | 6 | Time | Required | Time Request File Is Created |
| Requestor-email | 128 | Alphanumeric | Optional | |
| Request-parameters | 2000 | Alphanumeric | Optional | A free format description of criteria used to generate this file |
| Requestor-Relationship | 8 | Alphanumeric | Optional | Specifies the type of user. Set as follows for custom document delivery transmissions: <ul style="list-style-type: none"> Public MOF Industry |
| Requestor-Client | 8 | Alphanumeric | Optional | Populated for Industry Users |
| Requestor-Client-Location | 2 | Alphanumeric | Optional | Populated for Industry Users |
| Fine-print | 2048 | Alphanumeric | Optional | "Data items severed because of FOIPP concerns have been replaced with the value ***** or omitted" |

4.1.2. Attributes of hbs-transmission

The following information will be provided for each transmission:

| Data Field | Length | Format | Status | Description |
|----------------------|--------|--------------|----------|---|
| transmission-id | 10 | Numeric | Required | Identifies Transmission File Generated by HBS when transmission file is created. The transmission-id will be zero (0) for xml files not generated by the document delivery subsystem. |
| date-created | 8 | Date | Required | Date Transmission Is Created |
| time-created | 6 | Time | Required | Time Transmission Is Created |
| batch-count | 4 | Numeric | Required | Count Of All Batches In Transmission File |
| client-number | 8 | Alphanumeric | Optional | The current XML transmission file is prepared for this client. Present when xml files are generated by the document delivery subsystem. |
| client-location-code | 2 | Alphanumeric | Optional | The current XML transmission file is prepared for this client location. Present when xml files are generated by the document delivery subsystem. |
| recipient-type | 7 | Alphanumeric | Optional | Specifies the relationship of the identified client location to the data in the current transmission file. The HBS will segregate payee invoices and second copies of invoices into separate transmission files for a given client-location. SEND_TO: The documents in the transmission are prepared delivered to the payee client location COPY_TO: The documents in the transmission file are prepared and delivered to the COPY_TO client location. Present when xml files are generated by the document delivery subsystem. |

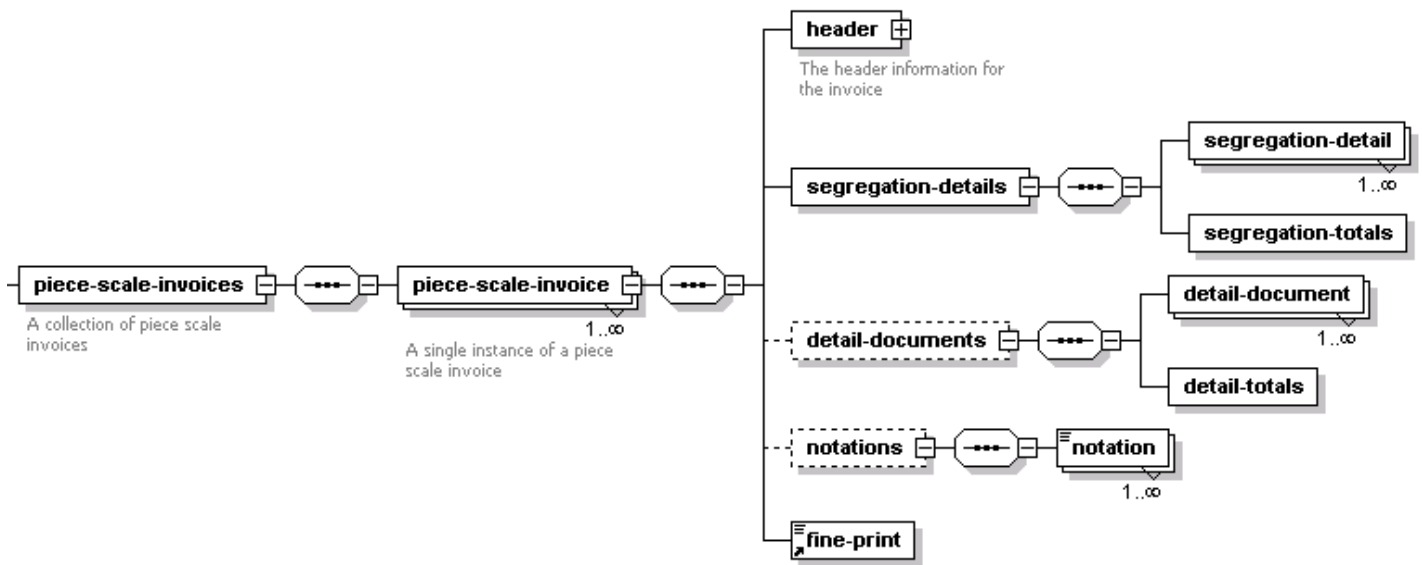
4.1.3. Attributes of hbs-batch

Data will be grouped into batches for like documents.

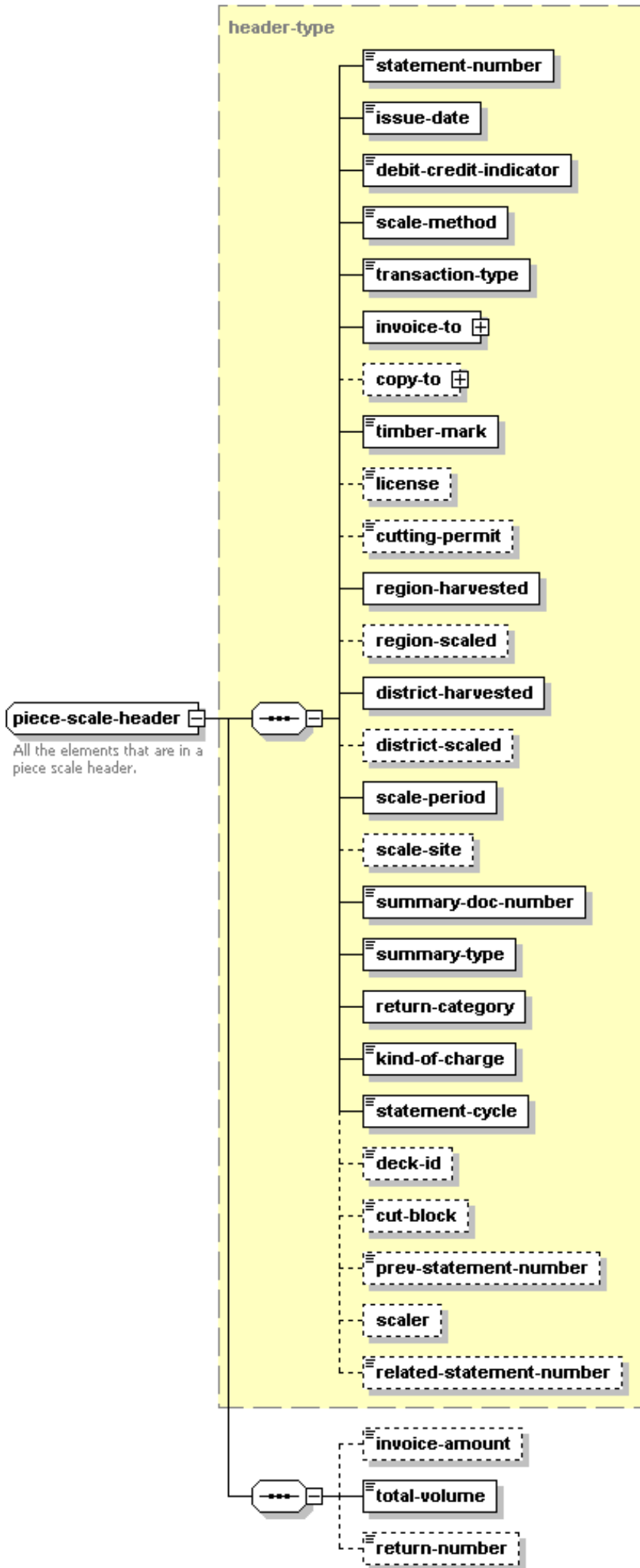
The following information will be provided for each batch:

| Data Field | Length | Format | Status | Description |
|-----------------|--------|--------------|----------|--|
| batch-type-code | 3 | Alphanumeric | Required | "PSI" - Piece Scale Invoice "PSV" - Piece Scale Volume Statement "WSI" - Weight Scale Invoice "WSV" - Weight Scale Volume Statement "CSS" - Compiled Sample Statement "RCS" - Ratio Computation Statement |
| document-count | 5 | Numeric | Required | Count of all documents in batch |

4.2. Piece Scale Invoice Structure



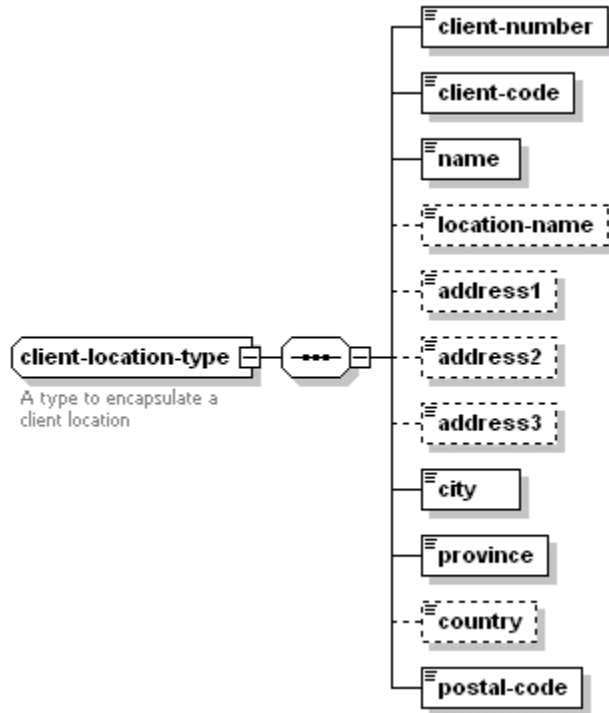
4.2.1. Attributes of header



| Data Field | Length | Format | Status | Example |
|------------------------------------|--------|----------------------|----------|---|
| statement-number | 7 | Alphanumeric | Required | |
| issue-date | 8 | Date | Required | |
| debit-credit-indicator | 2 | Alphanumeric | Required | ("DR" or "CR") |
| scale-method | 1 | Alphanumeric | Required | P or W or S |
| transaction-type | 3 | Alphanumeric | Required | "ORG" for original "CAN" for Cancel "RWC" for Replace WITH CHANGES "RWC" for Replace WITH NO CHANGES |
| Invoice-to | N/A | Client-Location-Type | Required | |
| copy-to | N/A | Client-Location-Type | Optional | This client receives a second copy of the invoice |
| timber-mark | 6 | Alphanumeric | Required | |
| Licence | 10 | Alphanumeric | Optional | |
| cutting-permit | 10 | Alphanumeric | Optional | |
| region-harvested (org-unit-code) | 6 | Alphanumeric | Required | |
| region-harvested (org-unit-name) | 100 | Alphanumeric | Required | |
| region-scaled (org-unit-code) | 6 | Alphanumeric | Optional | Provided if scaled in a region different that that of timbermark |
| region-scaled (org-unit-name) | 100 | Alphanumeric | Optional | |
| district-harvested (org-unit-code) | 6 | Alphanumeric | Required | |
| district-harvested (org-unit-name) | 100 | Alphanumeric | Required | |
| district-scaled (org-unit-code) | 6 | Alphanumeric | Optional | Provided if scaled in a district different that that of timbermark |
| district-scaled (org-unit-name) | 100 | Alphanumeric | Optional | |
| scale-period (start) | 8 | Date | Optional | |
| scale-period (end) | 8 | Date | Required | |
| scale-site (id) | 4 | Alphanumeric | Optional | |
| scale-site (name) | 30 | Alphanumeric | Optional | |
| summary-doc-number | 10 | Numeric | Required | |
| summary-type | 10 | Alphanumeric | Required | "Generated" or Submitted" |
| return-category (code) | 2 | Alphanumeric | Required | |
| return-category (description) | 120 | Alphanumeric | Required | |
| kind-of-charge | 20 | Alphanumeric | Required | |
| Statement-cycle | 1 | Numeric | Required | " ", "1", "2", "3", "4" |
| deck-id | 1 | Alphanumeric | Optional | Populated for Field Scales ONLY |
| cut-block | 10 | Alphanumeric | Optional | Populated for Waste Invoices ONLY |
| prev-statement-number | 7 | Alphanumeric | Optional | Previous Statement for the timbermark |
| scaler (name) | 60 | Alphanumeric | Optional | Populated for all Summary returns |
| scaler (licence) | 4 | Alphanumeric | Optional | Populated for all Summary returns |

| Data Field | Length | Format | Status | Example |
|--------------------------|--------|--------------|----------|---|
| related-statement-number | 7 | Alphanumeric | Optional | Statement number of Original on Cancel and Replacements |
| invoice-amount | 15.2 | Numeric | Optional | \$9,999,999,999,999.99 |
| total-volume | 15.3 | Numeric | Required | 999,999,999,999.999 m3 |
| return-number | 4 | Numeric | Optional | Used for FS72s ONLY |

4.2.2. Attributes of client-location-type



| Data Field | Length | Format | Status | Example |
|---------------|--------|--------------|----------|----------------------|
| client-number | 8 | Alphanumeric | Required | Client Code |
| client-code | 2 | Alphanumeric | Required | Client Location Code |
| name | 60 | Alphanumeric | Required | Client Name |
| location-name | 40 | Alphanumeric | Optional | Client Location Name |
| address1 | 40 | Alphanumeric | Optional | Client Address 1 |
| address2 | 40 | Alphanumeric | Optional | Client Address 2 |
| address3 | 40 | Alphanumeric | Optional | Client Address 3 |
| city | 30 | Alphanumeric | Required | Client City |
| province | 5 | Alphanumeric | Required | Client Province |
| country | 6 | Alphanumeric | Optional | Client Country |
| postal-code | 10 | Alphanumeric | Required | Client Postal Code |

4.2.3. Attributes of segregation-details

| Data Field | Length | Format | Status | Example |
|--------------|--------|--------------|----------|---------|
| species | 30 | Alphanumeric | Required | |
| species-code | 2 | Alphanumeric | Required | |
| product | 30 | Alphanumeric | Required | |
| product-code | 2 | Alphanumeric | Optional | |
| grade | 30 | Alphanumeric | Required | |
| grade-code | 1 | Alphanumeric | Required | |

| Data Field | Length | Format | Status | Example |
|--------------------------------|--------|--------------|----------|------------------------|
| stumpage-rate | 6.2 | Numeric | Required | |
| value | 10.2 | Numeric | Required | |
| piece-scale-method | 1 | Alphanumeric | Required | |
| piece-scale-method-description | 15 | Alphanumeric | Required | |
| pieces | 6 | Numeric | Optional | |
| net-volume | 9.3 | Numeric | Required | 999,999.999 m3 |
| beachcomb-mark | 6 | Alphanumeric | Optional | |
| no-mark-visible-indicator | 1 | Alphanumeric | Optional | |
| avoidable-indicator | 1 | Alphanumeric | Optional | |
| scaled-before-indicator | 1 | Alphanumeric | Optional | |
| bonus-bid-amount | 15.2 | Numeric | Required | \$9,999,999,999,999.99 |
| dev-levy-amount | 15.2 | Numeric | Required | \$9,999,999,999,999.99 |
| silviculture-levy-amount | 15.2 | Numeric | Required | \$9,999,999,999,999.99 |
| reserve-amount | 15.2 | Numeric | Required | \$9,999,999,999,999.99 |

4.2.4. Attributes of segregation-totals

| Data Field | Length | Format | Status | Example |
|------------|--------|---------|----------|------------------------|
| pieces | 6 | Numeric | Required | |
| net-volume | 15.3 | Numeric | Required | 999,999,999,999.999 m3 |
| value | 15.2 | Numeric | Required | \$9,999,999,999,999.99 |

4.2.5. Attributes of detail-document

| Data Field | Length | Format | Status | Example |
|----------------------|--------|--------------|----------|------------------------|
| DDN | 13 | Alphanumeric | Required | |
| DV | 2 | Numeric | Required | |
| transaction-sequence | 2 | Numeric | Required | |
| scale-date | 8 | Date | Required | |
| scaler-license | 4 | Alphanumeric | Optional | |
| return-number | 4 | Numeric | Required | |
| load-arrival-number | 10 | Alphanumeric | Optional | |
| LDS-number | 10 | Alphanumeric | Optional | |
| log-count | 4 | Numeric | Required | 9,999 |
| volume | 15.3 | Numeric | Required | 999,999,999,999.999 m3 |
| value | 15.2 | Numeric | Required | \$9,999,999,999,999.99 |

4.2.6. Attributes of detail-totals

| Data Field | Length | Format | Status | Example |
|------------|--------|---------|----------|------------------------|
| log-count | 6 | Numeric | required | 999,999 |
| volume | 15.3 | Numeric | required | 999,999,999,999.999 m3 |
| value | 15.2 | Numeric | required | \$9,999,999,999,999.99 |

4.2.7. Attributes of notation

| Data Field | Length | Format | Status | Example |
|------------|--------|--------------|----------|---------|
| number | 2 | Numeric | Required | |
| type | 3 | Alphanumeric | Required | |
| notation | 80 | Alphanumeric | Required | |

4.2.8. Attributes of fine-print

| Data Field | Length | Format | Status | Example |
|------------|--------|--------------|----------|---------|
| fine-print | 2048 | Alphanumeric | Required | |

4.2.9. Rules for Invoice Identifiers

| Data Field | Length | Format | Status | Example | Submitted Summary Piece | Submitted Summary Piece | Submitted Summary Piece | Generated Summary Piece | Generated Summary Piece | Generated Summary Piece |
|------------------------|--------|--------------|----------|--|---|------------------------------|---|---|------------------------------|---|
| | | | | | Original | Cancel | Replace | Original | Cancel | Replace |
| debit-credit-indicator | 2 | Alphanumeric | Required | ("DR" or "CR") | DR | CR | DR | DR | CR | DR |
| Scale-method | 1 | Alphanumeric | Required | P or W | P | P | P | P | P | P |
| transaction-type | 3 | Alphanumeric | Required | "ORG" for original "CAN" for Cancel "REP" for replace "RWC" for replace with changes "RWN" for replace with NO changes (Rate Correction) | ORG | CAN | RWC or RWN | ORG | CAN | RWC or RWN |
| Invoice-to | | Complex | Required | | Client location of timbermark owner for BCOMB2 and BCOMB3, invoice-to is the scale site owner | Copied from Original Invoice | Client location of timbermark owner for BCOMB2 and BCOMB3, invoice-to is the scale site owner | Client location of timbermark owner for BCOMB2 and BCOMB3, invoice-to is the scale site owner | Copied from Original Invoice | Client location of timbermark owner for BCOMB2 and BCOMB3, invoice-to is the scale site owner |
| copy-to | | Complex | Optional | | Client location of site owner (if different from invoice-to) for BCOMB2 and BCOMB3 and copy-to will be null | Copied from Original Invoice | Client location of site owner (if different from invoice-to) for BCOMB2 and BCOMB3 and copy-to will be null | Client location of site owner (if different from invoice-to) for BCOMB2 and BCOMB3 and copy-to will be null | Copied from Original Invoice | Client location of site owner (if different from invoice-to) for BCOMB2 and BCOMB3 and copy-to will be null |
| Timbermark | 6 | Alphanumeric | Required | | Copied from Submitted Document | Copied from Original Invoice | Copied from Submitted Document | Copied from Submitted Document | Copied from Original Invoice | Copied from Submitted Document |

| Data Field | Length | Format | Status | Example | Submitted Summary Piece | Submitted Summary Piece | Submitted Summary Piece | Generated Summary Piece | Generated Summary Piece | Generated Summary Piece |
|--------------------------|--------|--------------|----------|---|--|--|--|--|--|--|
| scale-site (id) | 4 | Alphanumeric | Optional | | Copied from Submitted Document | Copied from Original Invoice | Copied from Submitted Document | Copied from Submitted Document | Copied from Original Invoice | Copied from Submitted Document |
| scale-site (name) | 30 | Alphanumeric | Optional | | Copied from Submitted Document | Copied from Original Invoice | Copied from Submitted Document | Copied from Submitted Document | Copied from Original Invoice | Copied from Submitted Document |
| summary-type | 10 | Alphanumeric | Required | "Generated" or Submitted" | Submitted | Submitted | Submitted | Generated | Generated | Generated |
| Return-category (code) | 2 | Alphanumeric | Required | 'BC' for Beachcomb 'CH' for Check Scale 'FI' for Field Scale 'PR' for Primary Scale 'WA' for Waste 'CR' for Cruise 'OT' for Other | 'BC' 'CH' 'FI' 'PR' 'WA' 'CR' 'OT' | 'BC' 'CH' 'FI' 'PR' 'WA' 'CR' 'OT' | 'BC' 'CH' 'FI' 'PR' 'WA' 'CR' 'OT' | 'BC' 'CH' 'FI' 'PR' 'WA' 'CR' 'OT' | 'BC' 'CH' 'FI' 'PR' 'WA' 'CR' 'OT' | 'BC' 'CH' 'FI' 'PR' 'WA' 'CR' 'OT' |
| kind-of-charge | 20 | Alphanumeric | Required | "Stumpage" "Waste" | | | | | | |
| Prev-statement-number | 7 | Alphanumeric | Optional | | Previous Statement for the timbermark | Previous Statement for the timbermark | Previous Statement for the timbermark | Previous Statement for the timbermark | Previous Statement for the timbermark | Previous Statement for the timbermark |
| Scaler (name) | 60 | Alphanumeric | Optional | Populated for all Summary returns | Copied from Submitted Document | Copied from Original Invoice | Copied from Submitted Document | <Null> | <Null> | <Null> |
| Scaler (licence) | 4 | Alphanumeric | Optional | Populated for all Summary returns | Copied from Submitted Document | Copied from Original Invoice | Copied from Submitted Document | <Null> | <Null> | <Null> |
| Related-statement-number | 7 | Alphanumeric | Optional | | <Null> | Copied from Original Invoice | Copied from Original Invoice | <Null> | Copied from Original Invoice | Copied from Original Invoice |
| Return-number | 4 | Numeric | Optional | Used for FS72s ONLY | Copied from Submitted Document | Copied from Original Invoice | Copied from Submitted Document | <Null> | <Null> | <Null> |

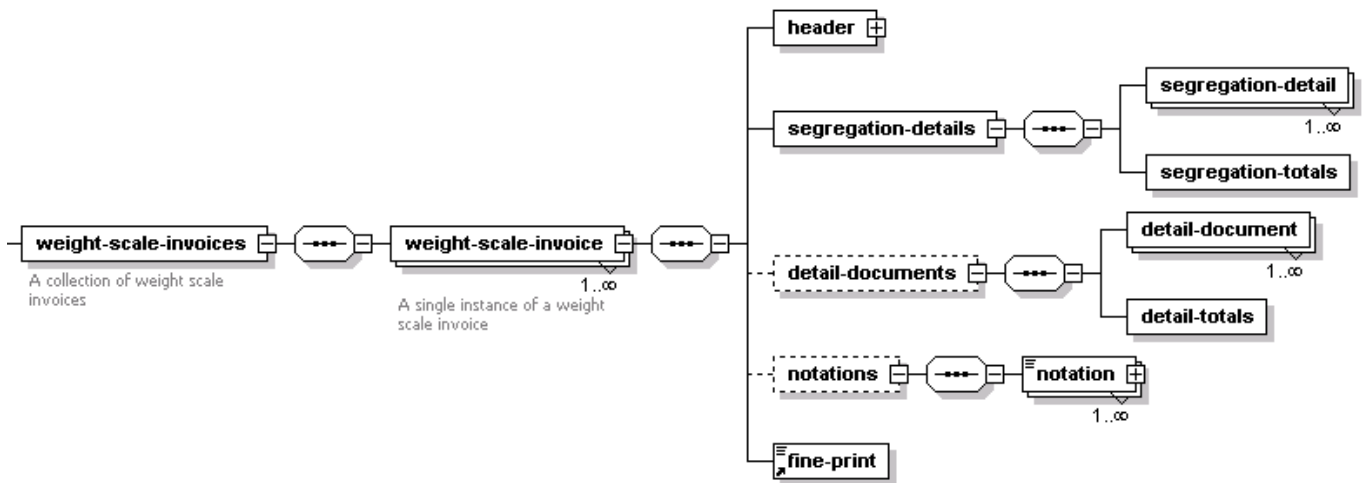
4.2.9.1. RULES FOR DETAIL-DOCUMENT (ONE LINE PER LOAD)

| Data Field | Length | Format | Status | Example | Generated Summary Piece | Generated Summary Piece | Generated Summary Piece |
|----------------------|--------|--------------|----------|---|--------------------------------|------------------------------|---|
| | | | | | Original | Cancel | Replace |
| DDN | 13 | Alphanumeric | Required | Once assigned for the load, this is never changed | Copied from Submitted Document | Copied from Original Invoice | Copied from Submitted Document (will be the same as original) |
| DV | 2 | Numeric | Required | Each version of a submitted document has a unique version number. This referenced once on a debit and then referenced again if that load is credited. | Copied from Submitted Document | Copied from Original Invoice | Copied from Submitted Document Correction (will be different from the original) |
| transaction-sequence | 2 | Numeric | Required | Unique Value – Each time a load is included on an invoice, this value increments | | | |
| scale-date | 8 | Date | Required | | Copied from Submitted Document | Copied from Original Invoice | Copied from Submitted Document Correction |
| Scaler-license | 4 | Alphanumeric | Optional | | Copied from Submitted Document | Copied from Original Invoice | Copied from Submitted Document Correction |
| Return-number | 4 | Numeric | Required | | Copied from Submitted Document | Copied from Original Invoice | Copied from Submitted Document Correction |
| load-arrival-number | 10 | Alphanumeric | Optional | | Copied from Submitted Document | Copied from Original Invoice | Copied from Submitted Document Correction |
| LDS-number | 10 | Alphanumeric | Optional | | Copied from Submitted Document | Copied from Original Invoice | Copied from Submitted Document Correction |

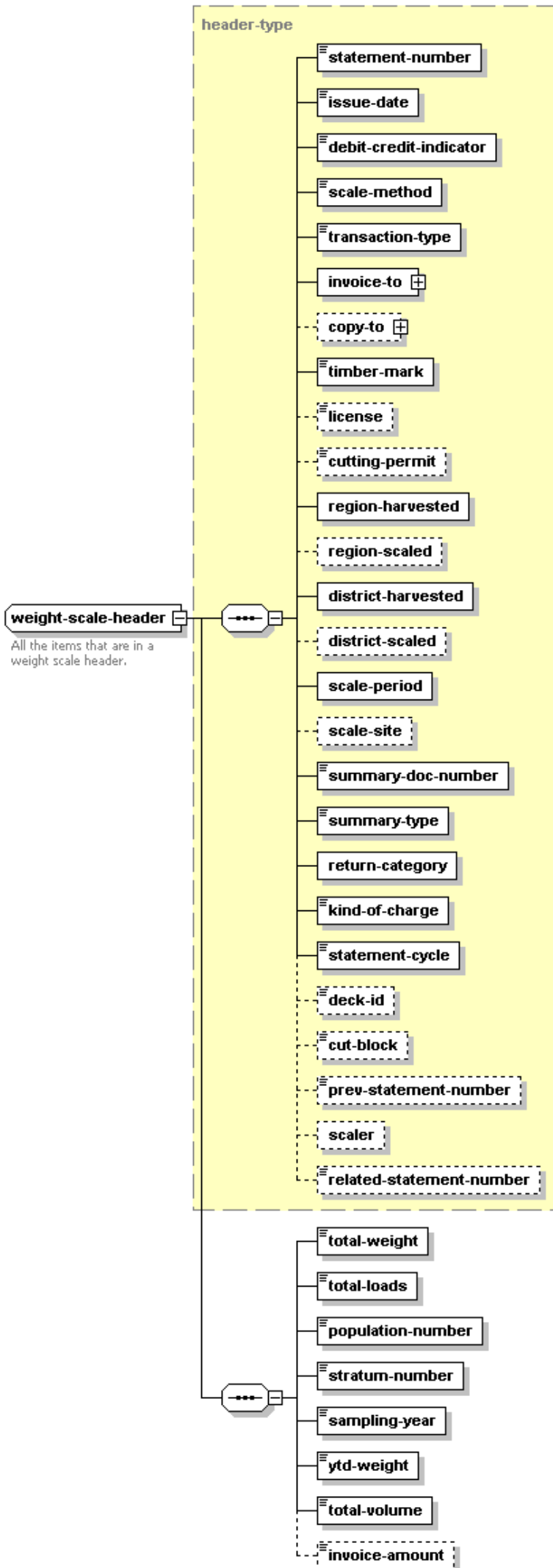
4.3. Piece Scale Volume Statement Structure

These documents are functionally equivalent to Piece Scale Invoices. Scale data accumulated for Private Tenures will be formatted as a volume statement rather than an invoice.

4.4. Weight Scale Invoice Structure



4.4.1. Attributes of header



| Data Field | Length | Format | Status | Example |
|------------------------------------|--------|----------------------|----------|---|
| statement-number | 7 | Alphanumeric | Required | |
| issue-date | 8 | Date | Required | |
| debit-credit-indicator | 2 | Alphanumeric | Required | ("DR" or "CR") |
| scale-method | 1 | Alphanumeric | Required | P or W or S |
| transaction-type | 3 | Alphanumeric | Required | "ORG" for original "CAN" for Cancel "RWC" for Replace WITH CHANGES "RWC" for Replace WITH NO CHANGES |
| invoice-to | N/a | Client-location-type | Required | |
| copy-to | N/a | Client-location-type | Optional | |
| timber-mark | 6 | Alphanumeric | Required | |
| licence | 10 | Alphanumeric | Optional | |
| cutting-permit | 10 | Alphanumeric | Optional | |
| region-harvested (org-unit-code) | 6 | Alphanumeric | Required | |
| region-harvested (org-unit-name) | 100 | Alphanumeric | Required | |
| region-scaled (org-unit-code) | 6 | Alphanumeric | Optional | Provided if scaled in a region different that that of timbermark |
| region-scaled (org-unit-name) | 100 | Alphanumeric | Optional | |
| district-harvested (org-unit-code) | 6 | Alphanumeric | Required | |
| district-harvested (org-unit-name) | 100 | Alphanumeric | Required | |
| district-scaled (org-unit-code) | 6 | Alphanumeric | Optional | Provided if scaled in a district different that that of timbermark |
| district-scaled (org-unit-name) | 100 | Alphanumeric | Optional | |
| scale-period (start) | 8 | Date | Optional | |
| scale-period (end) | 8 | Date | Required | |
| scale-site (id) | 4 | Alphanumeric | Optional | |
| scale-site (name) | 30 | Alphanumeric | Optional | |
| summary-doc-number | 10 | Numeric | Required | |
| summary-type | 10 | Alphanumeric | Required | "Generated" or Submitted" |
| return-category (code) | 2 | Alphanumeric | Required | |
| return-category (description) | 120 | Alphanumeric | Required | |
| kind-of-charge | 20 | Alphanumeric | Required | |
| statement-cycle | 1 | Numeric | Required | " ", "1", "2", "3", "4" |
| deck-id | 1 | Alphanumeric | Optional | Not used for weight scale |
| cut-block | 10 | Alphanumeric | Optional | Not used for weight scale |
| prev-statement-number | 7 | Alphanumeric | Optional | Previous Statement for the timbermark and PSY |
| scaler (name) | 60 | Alphanumeric | Optional | Not used for weight scale |
| scaler (licence) | 4 | Alphanumeric | Optional | Not used for weight scale |
| related-statement-number | 7 | Alphanumeric | Optional | Statement number of Original on Cancel and Replacements |
| | | | | |
| total-weight | 9 | Numeric | Required | 999,999,999 kg |

| Data Field | Length | Format | Status | Example |
|-------------------|--------|--------------|----------|------------------------|
| total-loads | 4 | Numeric | Required | 9,999 |
| population-number | 4 | Alphanumeric | Required | |
| stratum-number | 2 | Alphanumeric | Required | |
| sampling-year | 5 | Numeric | Required | |
| ytd-weight | 14 | Numeric | Required | 99,999,999,999,999 kg |
| total-volume | 15.3 | Numeric | Required | 999,999,999,999.999 m3 |
| invoice-amount | 15.2 | Numeric | Optional | \$9,999,999,999,999.99 |

4.4.2. Attributes of segregation-details

| Data Field | Length | Format | Status | Example |
|-------------------------------------|--------|--------------|----------|--------------------------|
| species | 30 | Alphanumeric | Required | |
| species-code | 2 | Alphanumeric | Required | |
| grade | 30 | Alphanumeric | Required | |
| grade-code | 1 | Alphanumeric | Required | |
| segregation-ratio | 6.5 | Numeric | Required | 9.99999 |
| stumpage-rate | 6.2 | Numeric | Required | \$9999.99 |
| ytd-weight-times-rate | 16.2 | Numeric | Required | 99.999,999,999,999.99 |
| ytd-volume | 16.3 | Numeric | Required | 9,999,999,999,999.999 m3 |
| ytd-value | 16.2 | Numeric | Required | \$99.999,999,999,999.99 |
| additional-volume | 15.3 | Numeric | Required | 999,999,999,999.999 m3 |
| additional-value | 15.2 | Numeric | Required | \$9.999,999,999,999.99 |
| additional-bonus-bid-amount | 15.2 | Numeric | Required | \$9.999,999,999,999.99 |
| additional-dev-levy-amount | 15.2 | Numeric | Required | \$9.999,999,999,999.99 |
| additional-silviculture-levy-amount | 15.2 | Numeric | Required | \$9.999,999,999,999.99 |
| additional-reserve-amount | 15.2 | Numeric | Required | \$9.999,999,999,999.99 |

4.4.3. Attributes of segregation-totals

| Data Field | Length | Format | Status | Example |
|-------------------|--------|---------|----------|--------------------------|
| segregation-ratio | 6.5 | Numeric | Required | 9.99999 |
| ytd-volume | 16.3 | Numeric | Required | 9,999,999,999,999.999 m3 |
| additional-volume | 15.3 | Numeric | Required | 999,999,999,999.999 m3 |
| ytd-value | 16.2 | Numeric | Required | \$99.999,999,999,999.99 |
| additional-value | 15.2 | Numeric | Required | \$9.999,999,999,999.99 |

4.4.4. Attributes of detail-document

| Data Field | Length | Format | Status | Example |
|----------------------|--------|--------------|----------|------------------------|
| DDN | 13 | Alphanumeric | Required | |
| DV | 2 | Numeric | Required | 99 |
| transaction-sequence | 2 | Numeric | Required | 99 |
| scale-date | 8 | Date | Required | |
| scaler-license | 4 | Alphanumeric | Required | |
| Weigh-slip-number | 10 | Alphanumeric | Required | |
| LDS-number | 10 | Alphanumeric | Optional | |
| net-weight | 6 | Numeric | Required | 999,999 |
| additional-volume | 15.3 | Numeric | Required | 999,999,999,999.999 m3 |
| Additional-value | 15.2 | Numeric | Required | \$9.999,999,999,999.99 |

4.4.5. Attributes of detail-totals

| Data Field | Length | Format | Status | Example |
|------------|--------|--------|--------|---------|
|------------|--------|--------|--------|---------|

| Data Field | Length | Format | Status | Example |
|-------------------|--------|---------|----------|------------------------|
| net-weight | 9 | Numeric | required | 999,999,999 |
| additional-volume | 15.3 | Numeric | Required | 999,999,999,999.999 m3 |
| additional-value | 15.2 | Numeric | Required | \$9.999,999,999,999.99 |

4.4.6. Attributes of notation

| Data Field | Length | Format | Status | Example |
|------------|--------|--------------|----------|---------|
| Number | 2 | Numeric | Required | |
| type | 3 | Alphanumeric | Required | |
| Notation | 80 | Alphanumeric | Required | |

4.4.7. Attributes of fine-print

| Data Field | Length | Format | Status | Example |
|------------|--------|--------------|----------|---------|
| fine-print | 2048 | Alphanumeric | required | |

4.4.8. Rules for Invoice Identifiers

| Data Field | Length | Format | Status | Example | Submitted Summary Weight | Submitted Summary Weight | Submitted Summary Weight | Generated Summary Weight | Generated Summary Weight | Generated Summary Weight |
|------------------------|--------|--------------|----------|--|---|------------------------------|---|---|------------------------------|---|
| | | | | | Original | Cancel | Replace | Original | Cancel | Replace |
| debit-credit-indicator | 2 | Alphanumeric | Required | ("DR" or "CR") | DR | CR | DR | DR | CR | DR |
| Scale-method | 1 | Alphanumeric | Required | P or W | W | W | W | W | W | W |
| transaction-type | 3 | Alphanumeric | Required | "ORG" for original "CAN" for Cancel "REP" for replace "RWC" for replace with changes "RWN" for replace with NO changes (Rate Correction) | ORG | CAN | RWC or RWN | ORG | CAN | RWC or RWN |
| Invoice-to | | Complex | Required | | Client location of timbermark owner | Copied from Original Invoice | Client location of timbermark owner | Client location of timbermark owner | Copied from Original Invoice | Client location of timbermark owner |
| Copy-to | | Complex | Optional | | Client location of stratum owner (if different from invoice-to) | Copied from Original Invoice | Client location of stratum owner (if different from invoice-to) | Client location of stratum owner (if different from invoice-to) | Copied from Original Invoice | Client location of stratum owner (if different from invoice-to) |
| timbermark | 6 | Alphanumeric | Required | | Copied from Submitted Document | Copied from Original Invoice | Copied from Submitted Document | Copied from Submitted Document | Copied from Original Invoice | Copied from Submitted Document |
| scale-site (id) | 4 | Alphanumeric | Optional | | Copied from Submitted Document | Copied from Original Invoice | Copied from Submitted Document | Copied from Submitted Document | Copied from Original Invoice | Copied from Submitted Document |
| scale-site (name) | 30 | Alphanumeric | Optional | | Copied from Submitted Document | Copied from Original Invoice | Copied from Submitted Document | Copied from Submitted Document | Copied from Original Invoice | Copied from Submitted Document |
| summary-type | 10 | Alphanumeric | Required | "Generated" or Submitted" | Submitted | Submitted | Submitted | Generated | Generated | Generated |

| Data Field | Length | Format | Status | Example | Submitted Summary Weight | Submitted Summary Weight | Submitted Summary Weight | Generated Summary Weight | Generated Summary Weight | Generated Summary Weight |
|--------------------------|--------|--------------|---------------------------------|--|---|---|---|---|---|---|
| Return-category (code) | 2 | Alphanumeric | Required | 'PR' for Primary Scale 'NB' for Nil Bill 'FB' for Final Bill | 'PR' 'NB' 'FB' | 'PR' 'NB' 'FB' | 'PR' 'NB' 'FB' | 'PR' 'NB' 'FB' | 'PR' 'NB' 'FB' | 'PR' 'NB' 'FB' |
| kind-of-charge | 20 | Alphanumeric | Required | "Stumpage" | | | | | | |
| Prev-statement-number | 7 | Alphanumeric | Optional | | Previous Statement for the PSY and timbermark | Previous Statement for the PSY and timbermark | Previous Statement for the PSY and timbermark | Previous Statement for the PSY and timbermark | Previous Statement for the PSY and timbermark | Previous Statement for the PSY and timbermark |
| Scaler (name) | 60 | Alphanumeric | Optional | Populated for all Summary returns | <Null> | <Null> | <Null> | <Null> | <Null> | <Null> |
| Related-statement-number | 7 | Alphanumeric | Optional | | <Null> | Copied from Original Invoice | Copied from Original Invoice | <Null> | Copied from Original Invoice | Copied from Original Invoice |
| population-number | 4 | Numeric | Required (for Weigh Scale Only) | | Copied from Submitted Document | Copied from Original Invoice | Copied from Submitted Document | Copied from Submitted Document | Copied from Original Invoice | Copied from Submitted Document |
| Stratum-number | 2 | Numeric | Required (for Weigh Scale Only) | | Copied from Submitted Document | Copied from Original Invoice | Copied from Submitted Document | Copied from Submitted Document | Copied from Original Invoice | Copied from Submitted Document |
| Sampling-year | 4 | Numeric | Required (for Weigh Scale Only) | | Copied from Submitted Document | Copied from Original Invoice | Copied from Submitted Document | Copied from Submitted Document | Copied from Original Invoice | Copied from Submitted Document |

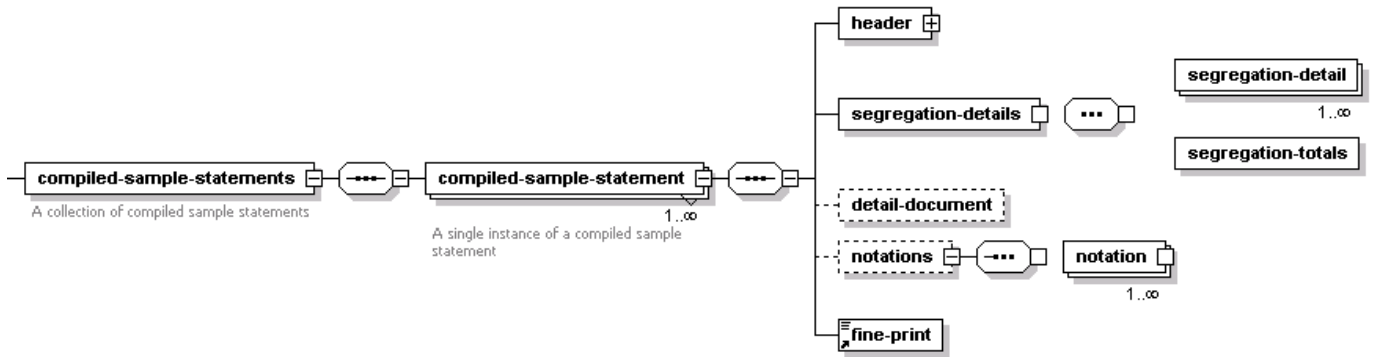
4.4.8.1. RULES FOR DETAIL-DOCUMENT (ONE LINE PER LOAD)

| Data Field | Length | Format | Status | Example | Generated Summary Piece | Generated Summary Piece | Generated Summary Piece |
|----------------------|--------|--------------|----------|---|--------------------------------|------------------------------|---|
| | | | | | Original | Cancel | Replace |
| DDN | 13 | Alphanumeric | Required | Once assigned for the load, this is never changed | Copied from Submitted Document | Copied from Original Invoice | Copied from Submitted Document (will be the same as original) |
| DV | 2 | Numeric | Required | Each version of a submitted document has a unique version number. This referenced once on a debit and then referenced again if that load is credited. | Copied from Submitted Document | Copied from Original Invoice | Copied from Submitted Document Correction (will be different from the original) |
| transaction-sequence | 2 | Numeric | Required | Unique Value – Each time a load is included on an invoice, this value increments | | | |
| scale-date | 8 | Date | Required | | Copied from Submitted Document | Copied from Original Invoice | Copied from Submitted Document Correction |
| Scaler-license | 4 | Alphanumeric | Optional | | Copied from Submitted Document | Copied from Original Invoice | Copied from Submitted Document Correction |
| LDS-number | 10 | Alphanumeric | Optional | | Copied from Submitted Document | Copied from Original Invoice | Copied from Submitted Document Correction |
| Weigh-slip-number | 10 | Alphanumeric | Required | | Copied from Submitted Document | Copied from Original Invoice | Copied from Submitted Document Correction |

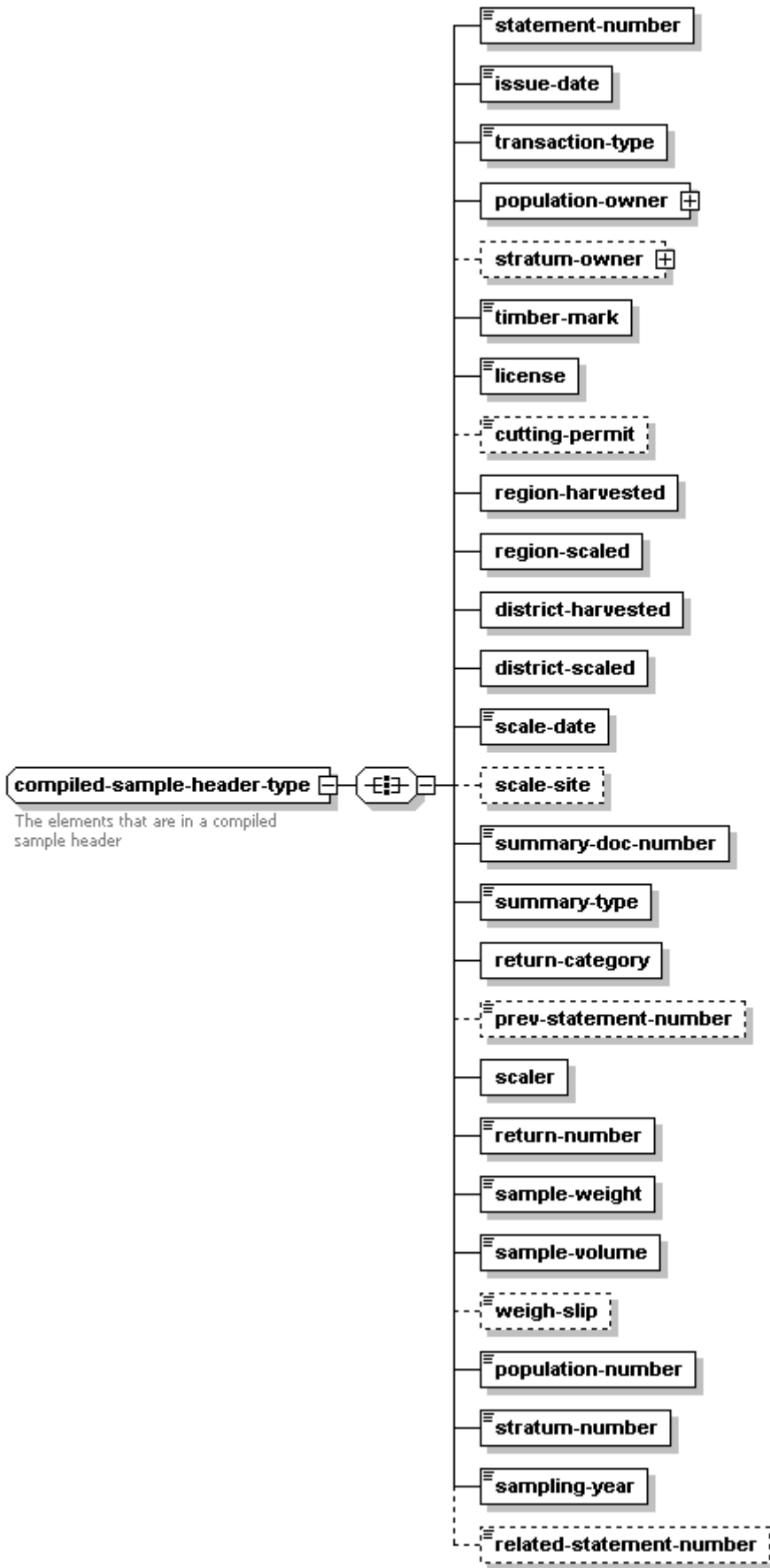
4.5. Weight Scale Volume Statement Structure

These documents are functionally equivalent to Weight Scale Invoices. Scale data accumulated for Private Tenures will be formatted as a volume statement rather than an invoice.

4.6. Compiled Sample Statement Structure



4.6.1. Attributes of header



| Data Field | Length | Format | Status | Example |
|------------------|--------|--------------|----------|---------|
| statement-number | 7 | Alphanumeric | Required | |
| issue-date | 8 | Date | Required | |

| Data Field | Length | Format | Status | Example |
|------------------------------------|--------|----------------------|----------|---|
| transaction-type | 3 | Alphanumeric | Required | "ORG" for original "CAN" for Cancel "RWC" for Replace WITH CHANGES "RWC" for Replace WITH NO CHANGES |
| population-owner | N/a | Client-Location-Type | Required | |
| Stratum-owner | N/a | Client-Location-Type | Optional | |
| timber-mark | 6 | Alphanumeric | Required | |
| Licence | 10 | Alphanumeric | Optional | |
| cutting-permit | 10 | Alphanumeric | Optional | |
| region-harvested (org-unit-code) | 6 | Alphanumeric | Required | |
| region-harvested (org-unit-name) | 100 | Alphanumeric | Required | |
| region-scaled (org-unit-code) | 6 | Alphanumeric | Optional | Provided if scaled in a region different that that of timbermark |
| region-scaled (org-unit-name) | 100 | Alphanumeric | Optional | |
| district-harvested (org-unit-code) | 6 | Alphanumeric | Required | |
| district-harvested (org-unit-name) | 100 | Alphanumeric | Required | |
| district-scaled (org-unit-code) | 6 | Alphanumeric | Optional | Provided if scaled in a district different that that of timbermark |
| district-scaled (org-unit-name) | 100 | Alphanumeric | Optional | |
| scale-date | 8 | Date | Required | |
| scale-site (id) | 4 | Alphanumeric | Optional | |
| scale-site (name) | 30 | Alphanumeric | Optional | |
| summary-doc-number | 10 | Numeric | Required | |
| summary-type | 10 | Alphanumeric | Required | "Generated" or Submitted" |
| return-category (code) | 2 | Alphanumeric | Required | |
| return-category (description) | 120 | Alphanumeric | Required | |
| prev-statement-number | 7 | Alphanumeric | Optional | |
| scaler (name) | 60 | Alphanumeric | Required | |
| scaler (licence) | 4 | Alphanumeric | Required | |
| return-number | 4 | Numeric | Required | |
| Sample-weight | 9 | Numeric | Required | 999,999,999 kg |
| Sample-volume | 15.3 | Numeric | Required | 999,999,999,999.999 m3 |
| weigh-slip-number | 10 | Numeric | Optional | |
| population-number | 4 | Alphanumeric | Required | |
| Stratum-number | 2 | Alphanumeric | Required | |
| sampling-year | 5 | Numeric | Required | |
| related-statement-number | 7 | Alphanumeric | Optional | |

4.6.2. Attributes of segregation-details

| Data Field | Length | Format | Status | Example |
|--------------|--------|--------------|----------|---------|
| Species | 30 | Alphanumeric | Required | |
| species-code | 2 | Alphanumeric | Required | |
| product | 30 | Alphanumeric | Required | |
| product-code | 2 | Alphanumeric | Required | |

| Data Field | Length | Format | Status | Example |
|------------|--------|--------------|----------|------------------------|
| grade | 30 | Alphanumeric | Required | |
| grade-code | 1 | Alphanumeric | Required | |
| pieces | 6 | Numeric | Required | 999,999 |
| volume | 15.3 | Numeric | Required | 999,999,999,999.999 m3 |
| fraction | 5.2 | Numeric | Required | 999.99 |
| ratio | 6.5 | Numeric | Required | 9.99999 |

4.6.3. Attributes of segregation-totals

| Data Field | Length | Format | Status | Example |
|-------------------|--------|---------|----------|------------------------|
| pieces | 6 | Numeric | Required | 999,999 |
| additional-volume | 15.3 | Numeric | Required | 999,999,999,999.999 m3 |
| ratio | 6.5 | Numeric | Required | 9.99999 |

4.6.4. Attributes of detail-document

| Data Field | Length | Format | Status | Example |
|-------------------------------|--------|--------------|----------|------------------------|
| DDN | 13 | Alphanumeric | Required | |
| DV | 2 | Numeric | Required | 99 |
| transaction-sequence | 2 | Numeric | Required | 99 |
| scale-date | 8 | Date | Required | |
| scaler-license | 4 | Alphanumeric | Required | |
| return-number | 4 | Numeric | Required | |
| load-arrival-number | 10 | Alphanumeric | Optional | |
| LDS-number | 10 | Alphanumeric | Optional | |
| weigh-slip-number | 10 | Alphanumeric | Required | |
| log-count | 6 | Numeric | Required | 999,999 |
| additional-volume | 15.3 | Numeric | Required | 999,999,999,999.999 m3 |
| gross-weight | 6 | Numeric | Required | 999,999 |
| grapple-weight | 6 | Numeric | Required | 999,999 |
| tare-weight | 6 | Numeric | Required | 999,999 |
| original-scale-site | 4 | Alphanumeric | Optional | |
| original-scaler-license | 4 | Alphanumeric | Optional | |
| original-scaler-name | 60 | Alphanumeric | Optional | |
| original-scaler-return-number | 4 | Alphanumeric | Optional | |

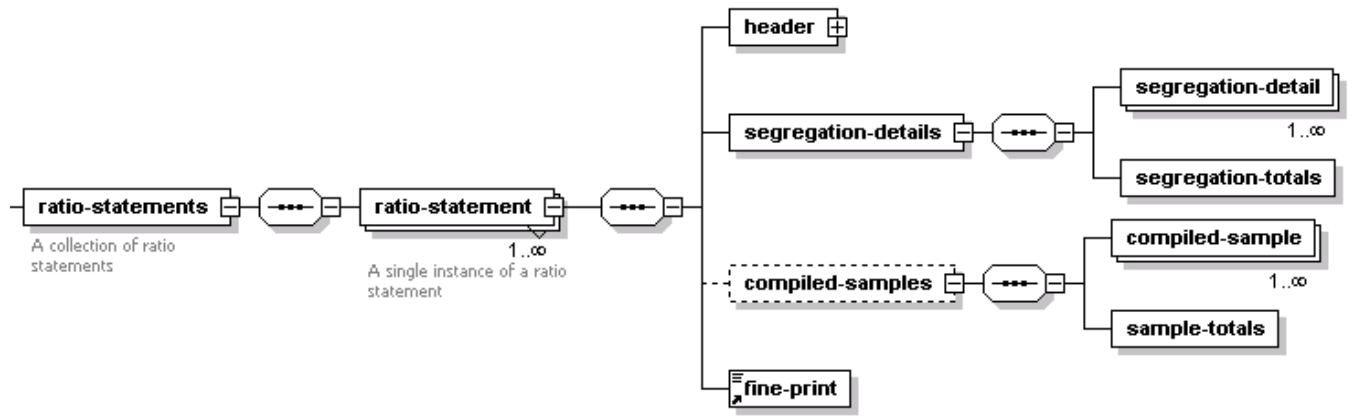
4.6.5. Attributes of notation

| Data Field | Length | Format | Status | Example |
|------------|--------|--------------|----------|---------|
| number | 2 | Numeric | Required | |
| type | 3 | Alphanumeric | Required | |
| notation | 80 | Alphanumeric | Required | |

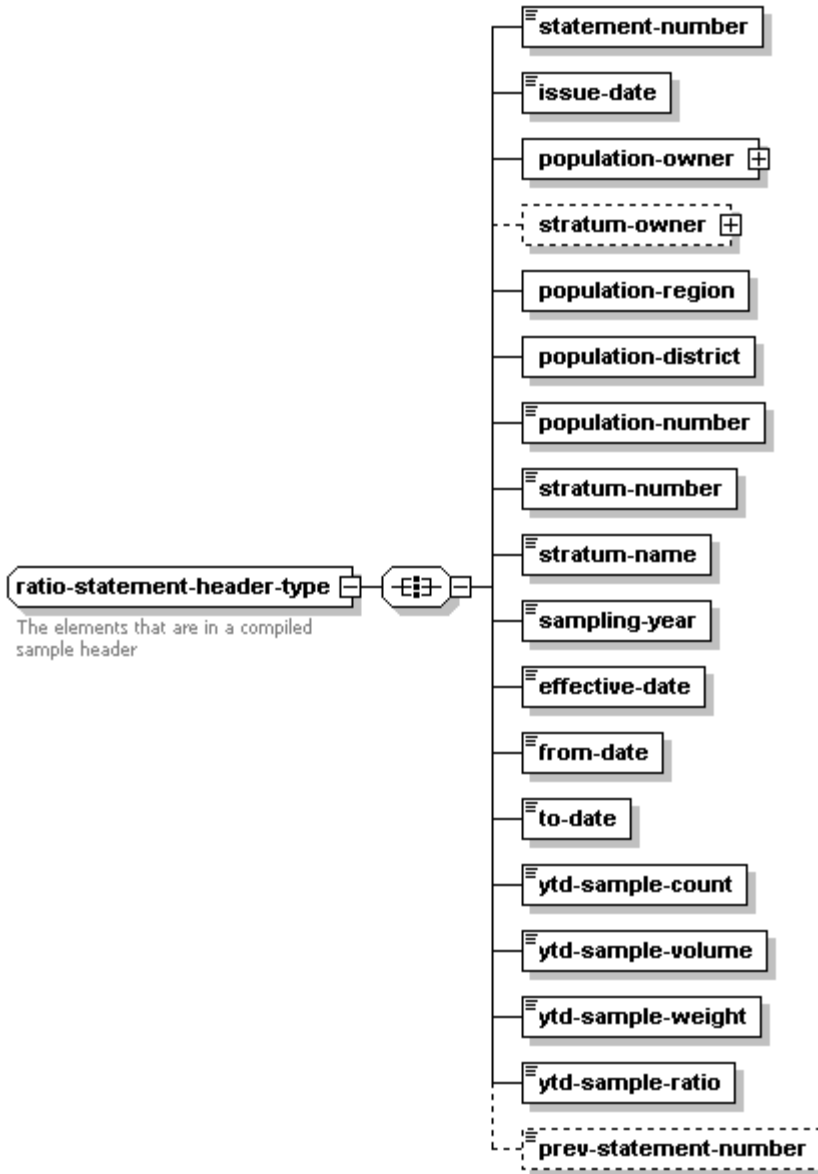
4.6.6. Attributes of fine-print

| Data Field | Length | Format | Status | Example |
|------------|--------|--------------|----------|---------|
| fine-print | 2048 | Alphanumeric | Required | |

4.7. Ratio Statement Structure



4.7.1. Attributes of header



| Data Field | Length | Format | Status | Example |
|--------------------------------------|--------|----------------------|----------|---|
| statement-number | 7 | Alphanumeric | Required | |
| issue-date | 8 | Date | Required | |
| transaction-type | 3 | Alphanumeric | Required | "ORG" for original "CAN" for Cancel "RWC" for Replace WITH CHANGES "RWC" for Replace WITH NO CHANGES |
| population-owner | N/A | Client-Location-Type | Required | |
| Stratum-owner | N/A | Client-Location-Type | Optional | |
| population-region (org-unit-code) | 6 | Alphanumeric | Required | |
| population-region (org-unit-name) | 100 | Alphanumeric | Required | |
| population-number | 4 | Alphanumeric | Required | |
| Stratum-number | 2 | Alphanumeric | Required | |
| Stratum-name | 20 | Alphanumeric | Required | |
| sampling-year | 5 | Numeric | Required | |
| effective-date | 8 | Date | Required | |
| from-date | 8 | Date | Required | |
| to-date | 8 | Date | Required | |

| Data Field | Length | Format | Status | Example |
|-----------------------|--------|--------------|-----------|--------------------------|
| ytd-sample-count | 5 | Numeric | Required | 99,999 |
| ytd-sample-volume | 16.3 | Numeric | Required | 9,999,999,999,999.999 m3 |
| ytd-sample-weight | 14 | Numeric | Required | 99,999,999,999,999 kg |
| weigh-slip-number | 10 | Numeric | Optional | |
| ytd-sample-ratio | 6.5 | Numeric | Required | 9.99999 |
| prev-statement-number | 7 | Alphanumeric | Optional; | |

4.7.2. Attributes of segregation-details

| Data Field | Length | Format | Status | Example |
|----------------------|--------|--------------|----------|--------------------------|
| Species | 30 | Alphanumeric | Required | |
| Species-code | 2 | Alphanumeric | Required | |
| Product | 30 | Alphanumeric | Required | |
| Product-code | 2 | Alphanumeric | Required | |
| grade | 30 | Alphanumeric | Required | |
| grade-code | 1 | Alphanumeric | Required | |
| period-sample-volume | 15.3 | Numeric | Required | 999,999,999,999.999 m3 |
| ytd-sample-volume | 16.3 | Numeric | Required | 9,999,999,999,999.999 m3 |
| ytd-sample-ratio | 6.5 | Numeric | Required | 9.99999 |

4.7.3. Attributes of segregation-totals

| Data Field | Length | Format | Status | Example |
|----------------------|--------|---------|----------|--------------------------|
| period-sample-volume | 15.3 | Numeric | Required | 999,999,999,999.999 m3 |
| ytd-sample-volume | 16.3 | Numeric | Required | 9,999,999,999,999.999 m3 |
| ytd-sample-ratio | 6.5 | Numeric | Required | 9.99999 |

4.7.4. Attributes of compiled-sample

| Data Field | Length | Format | Status | Example |
|----------------------|--------|--------------|----------|---|
| statement-number | 7 | Alphanumeric | Required | |
| scale-site | 4 | Alphanumeric | Required | |
| scale-date | 8 | Date | Required | |
| scaler-license | 4 | Alphanumeric | Optional | |
| scaler-name | 60 | Alphanumeric | Optional | |
| return-number | 4 | Numeric | Required | |
| load-arrival-number | 10 | Alphanumeric | Optional | |
| transaction-type | 3 | Alphanumeric | Required | "ORG" for original "CAN" for Cancel "RWC" for Replace WITH CHANGES "RWC" for Replace WITH NO CHANGES |
| return-category | 120 | Alphanumeric | Required | |
| return-category-code | 3 | Alphanumeric | Required | |
| weigh-slip-number | 10 | Alphanumeric | Optional | |
| lds-number | 10 | Alphanumeric | Optional | |
| timber-mark | 6 | Alphanumeric | Required | |
| Sample-volume | 15.3 | Numeric | Required | 999,999,999,999.999 m3 |
| Sample-weight | 9 | Numeric | Required | 999,999.999 kg |
| sample-ratio | 6.5 | Numeric | Required | 9.99999 |

4.7.5. Attributes of sample-totals

| Data Field | Length | Format | Status | Example |
|---------------|--------|---------|----------|------------------------|
| Sample-volume | 15.3 | Numeric | Required | 999,999,999,999.999 m3 |
| Sample-weight | 14 | Numeric | Required | 99,999,999,999.999 kg |

| Data Field | Length | Format | Status | Example |
|------------|--------|--------|--------|---------|
| | | | | |

4.7.6. Attributes of fine-print

| Data Field | Length | Format | Status | Example |
|------------|--------|--------------|----------|---------|
| fine-print | 2048 | Alphanumeric | Required | |

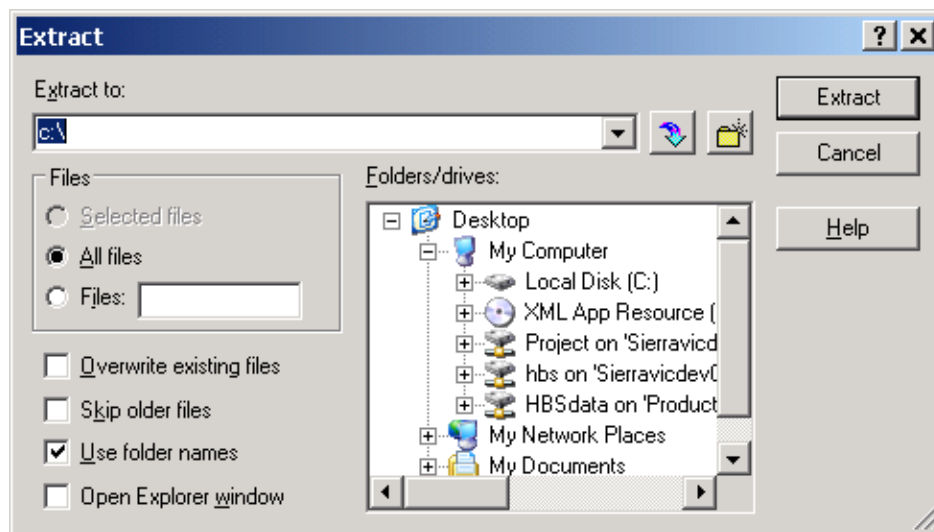
Appendix A. Resource Files

The resource files are provided in the file:

HBS-Phase3-DeliveredDocumentComposition-v2.1-2003Oct09-Final-Resources.zip

The resource files are an integrated set of files that are configured to reside in the directories encoded into the zip file. For best results use this method to extract the resource files from zip file provided:

- 1) Open the file in WINZIP. An evaluation copy can be downloaded here: <http://www.winzip.com/ddchomea.htm>
- 2) Press the extract button. Configure the dialog presented as shown:



- 3) Exit WINZIP and browse the newly created folders for the example files

The resource files provided include

| Resource | Discussion | Location and Filename |
|---|--|--|
| XML Schema file for Delivered Data | This file contains the formatting rules needed for a system to interpret the documents provided in XML format. This is also published on the Internet at http://testwww4.for.gov.bc.ca/revenue/hbs/schema/HBS_Transmission_Schema_V1_0f.xsd | c:\HBS\XML\Schema\ HBS_Transmission_Schema_V1_0f.xsd |
| Documentation for XML schema in HTML format | This file duplicates a great portion of the information in this document but is included for reference purposes. | c:\HBS\XML\SchemaDocumentati on HBS_Transmission_Schema_V1_0f.html |
| Example Transmission Data | These files contain example data in PDF and XML format The data is also published in the following location ftp://ftp.for.gov.bc.ca/HVA/external/publish/HBS%20Test%20Data/ | C:\hbs\xml\Examples_Transmissio ns\OUTGOING\ *.pdf and *.xml |
| Example FTP Script | These files contain an example documenting retrieving electronic data files from the example data published on the Internet. | C:\HBS\XML\FTP_Script ftp_example_script.txt and ftp_example.bat |

Appendix B. Example Data Sets

This section provides an index for a set of example electronic documents that are published on the Internet by the Ministry.

This data is the result of preparing invoices and other documents from a substantial set of live data (FS72, FS493, FS531, XML Piece Scale, Sample Scale and Weigh Slip).

The documents are provided, as they would be generated by the HBS and are assigned to transmission identifiers. This includes both XML and PDF versions of the documents.

The HBS also generated both the 'SEND-TO' and 'COPY-TO' transmissions according to the defined rules.

The data is published in the following location

<ftp://ftp.for.gov.bc.ca/HVA/external!/publish/HBS%20Test%20Data/>

An FTP script file (ftp_example_script.txt) and batch file that invokes this script (ftp_example.bat) are provided in the included resource archive file (mapped to the directory): C:\HBS\XML\FTP_Script

Note that this script was prepared and tested using the FTP client provided with Windows 2000 Professional

The full set of test data is also provided in the included resource archive file (mapped to the directory) C:\HBS\XML\Examples_Transmissions.

Index to Example Data Provided

| Transmission ID | Data Type Type | Invoice Type |
|-----------------|---|--|
| 10131 | Piece Scale based on Summary (FS72) Scale data | Original |
| 10132 | Piece Scale based on Summary (FS72) Scale data | Original |
| 10133 | Piece Scale based on XML Scale data | Original |
| 10134 | Piece Scale based on Summary (FS72) Scale data | Original, Replace With Changes |
| 10134 | Piece Scale based on XML Scale data | Original |
| 10135 | Piece Scale based on Summary (FS72) Scale data | Original |
| 10135 | Piece Scale based on XML Scale data | Original |
| 10135 | Weight Scale: based on Summary (FS493) Scale data | Original, Cancel, Replace With Changes |
| 10135 | Weight Scale: based on XML Scale data | Original, Cancel, Replace With Changes |
| 10145 | Compiled Sample Statement based on XML Scale data | Original |
| 10147 | Piece Scale based on Summary (FS72) Scale data | Original |
| 10167 | Piece Scale based on XML Scale data | Original |
| 10169 | Piece Scale based on Summary (FS72) Scale data | Original, Replace With Changes |
| 10169 | Weight Scale: based on Summary (FS493) Scale data | Original |
| 10169 | Weight Scale: based on XML Scale data | Original |
| 10172 | Piece Scale based on Summary (FS72) Scale data | Original, Cancel |
| 10173 | Piece Scale based on Summary (FS72) Scale data | Original |
| 10173 | Weight Scale: based on Summary (FS493) Scale data | Original |
| 10174 | Compiled Sample Statement based on Summary (FS531) Scale data | Original |
| 10174 | Ratio Statement | Original |
| 10175 | Weight Scale: based on Summary (FS493) Scale data | Original |
| 10181 | Ratio Statement | Original |
| 10181 | Weight Scale: based on Summary (FS493) Scale data | Original |

| Transmission ID | Data Type Type | Invoice Type |
|-----------------|---|--|
| 10181 | Weight Scale: based on XML Scale data | Original |
| 10227 | Piece Scale based on XML Scale data | Original, Cancel, Replace With Changes |
| 10228 | Piece Scale based on XML Scale data | Original, Cancel, Replace With Changes |
| 10229 | Piece Scale based on Summary (FS72) Scale data | Replace With Changes |
| 10229 | Weight Scale: based on Summary (FS493) Scale data | Original, Cancel, Replace With Changes |
| 10229 | Weight Scale: based on XML Scale data | Original, Cancel, Replace With Changes |