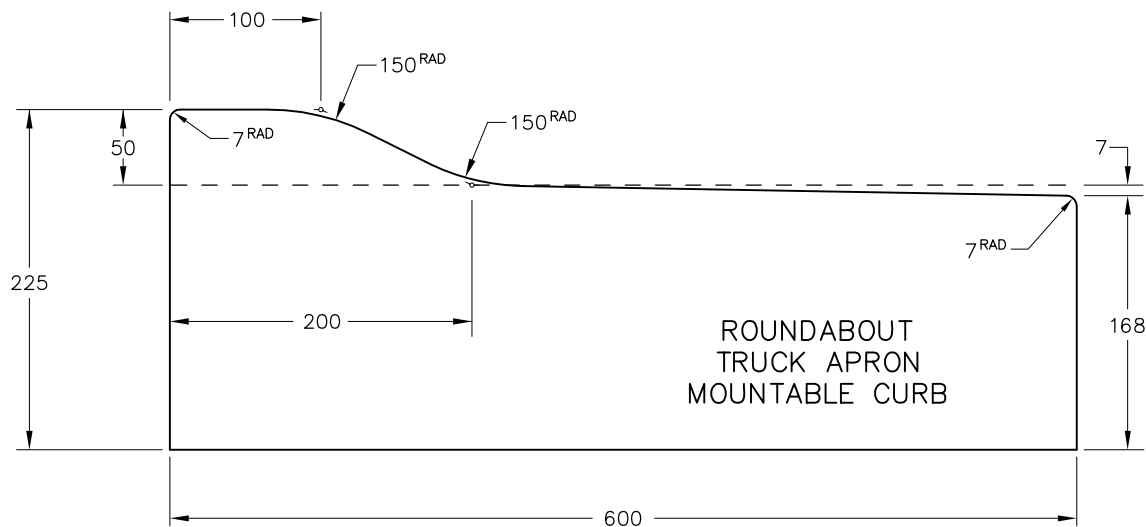
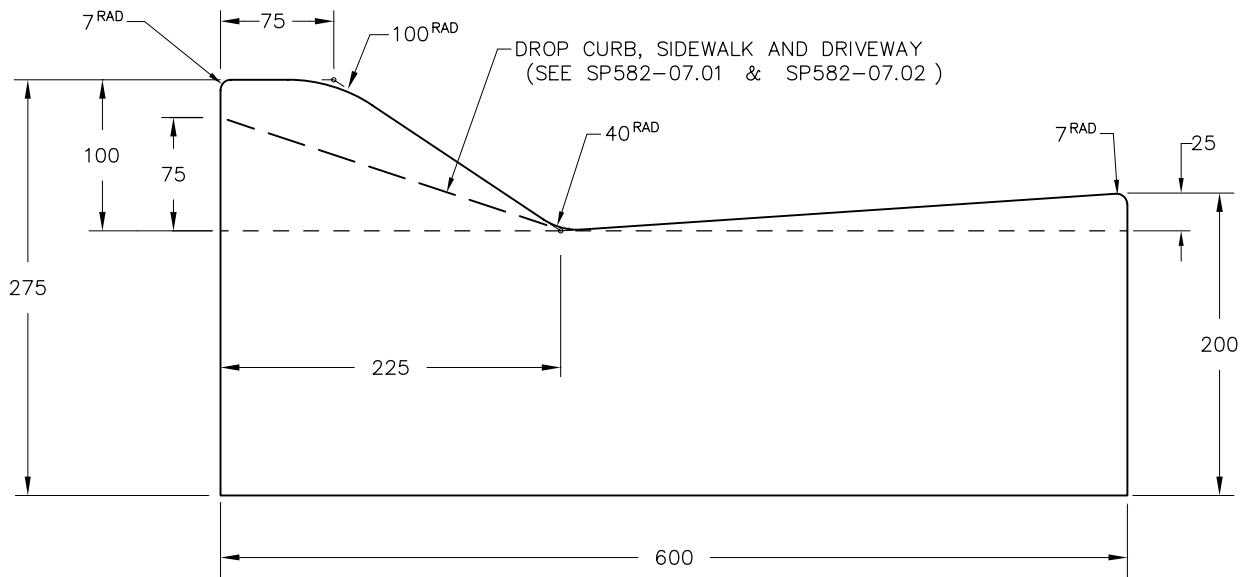


MOUNTABLE CURB AND GUTTER

SP582-01.02



NOTES:

- THE CONCRETE INCORPORATED IN THE CURB SHALL HAVE:
 - MINIMUM COMPRESSIVE STRENGTH OF 30 MPa AT 28 DAYS;
 - COARSE AGGREGATE OF MAXIMUM PARTICLE SIZE NOT EXCEEDING 25 mm;
 - MINIMUM CEMENT CONTENT OF 350 kg/m³;
 - ENTRAINED AIR OF 6% TO 8%;
 - SLUMP: BETWEEN 10 mm AND 25 mm FOR EXTRUDED,
MAXIMUM 65 mm FOR POURED IN PLACE;
 - MAXIMUM WATER/CEMENT RATIO OF 0.45.
- CONTRACTION JOINTS SHALL BE CUT AND TOOLED INTO THE CONCRETE TO A DEPTH 60% OF THE THICKNESS OF THE CONCRETE AT INTERVALS OF 3 m.
- EXPANSION JOINTS 13 mm IN THICKNESS CUT TO THE CROSS-SECTION OF THE COMBINED CURB AND GUTTER, COMPOSED OF PREMOULDED JOINT FILLER SHALL BE INSTALLED AT APPROXIMATELY 15 m INTERVALS AS WELL AS AT CURB RETURNS, EITHER SIDE OF DRIVEWAYS AND OTHER LOCATIONS AS DIRECTED BY THE MINISTRY REPRESENTATIVE.

NOT TO SCALE

ALL DIMENSIONS ARE IN MILLIMETRES UNLESS OTHERWISE NOTED