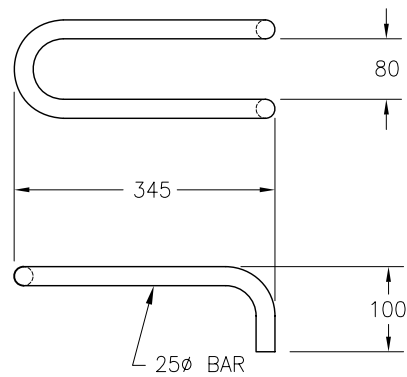
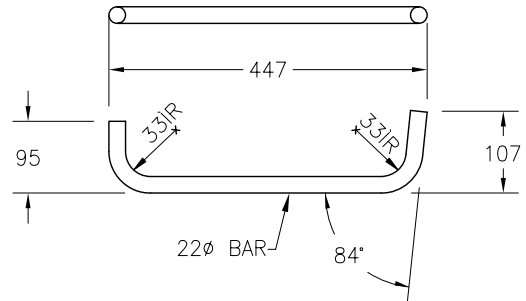


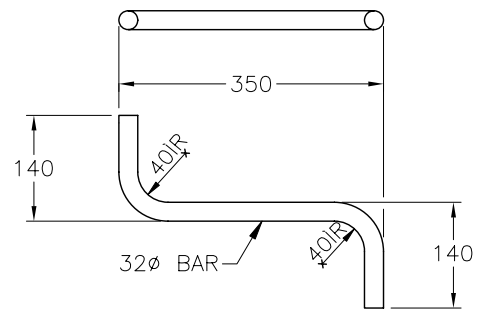
ANCHOR MK E1



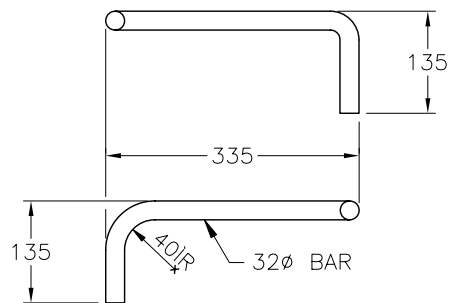
ANCHOR MK E2



ANCHOR MK H1



ANCHOR MK H2



ANCHOR MK H3

NOTES:

1. STEEL FOR ANCHORS TO CONFORM TO CSA SPECIFICATION CAN3-G40.21M.
2. PRIOR TO DELIVERY, EXPOSED SURFACES OF CONNECTIONS SHALL BE PREPARED FOR AND GIVEN A HEAVY APPLICATION OF A CORROSION RESISTANT COATING.

NOT TO SCALE

ALL DIMENSIONS ARE IN MILLIMETRES UNLESS OTHERWISE NOTED