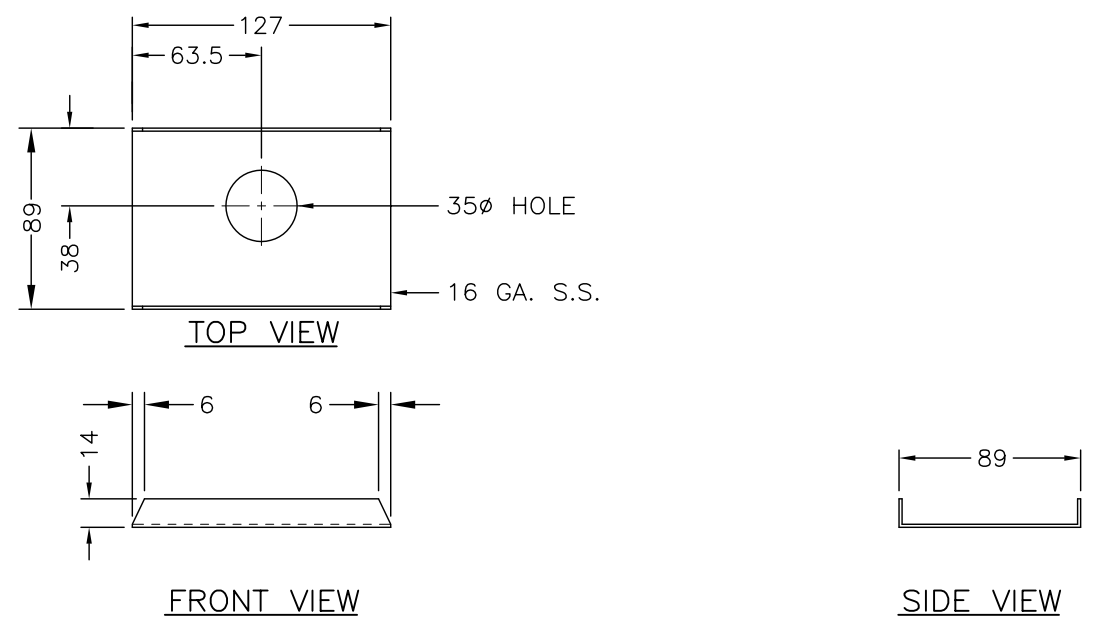


ITEM 1A
(TOP OF PANEL ENCLOSURE)



ITEM 1B
(BOTTOM OF PANEL ENCLOSURE)

SEE DRAWING MS420.1 FOR NOTES

A DIMENSIONS FOR REFERENCE ONLY
MANUFACTURER TO VERIFY FOR PROPER FIT

SCALE 1:4

TELEPHONE DEMARCATION PANEL
DETAILS