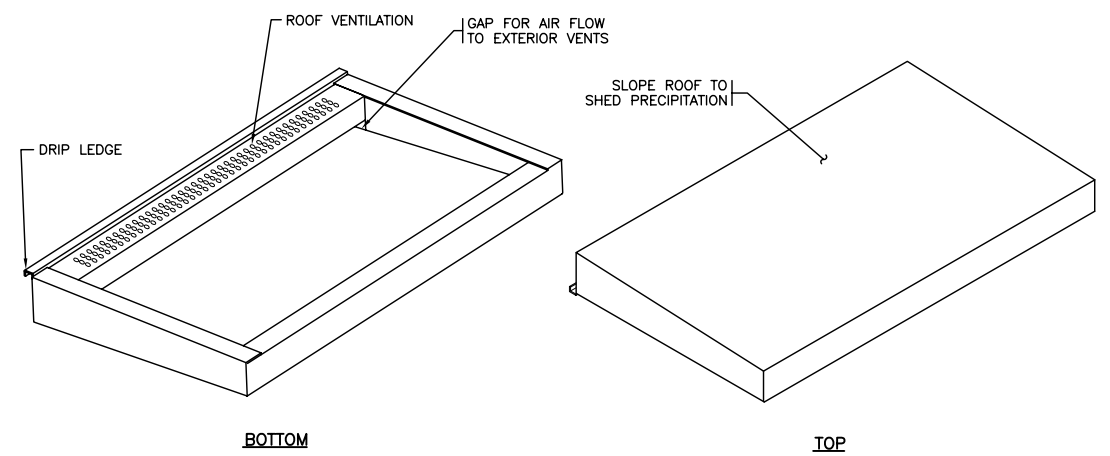


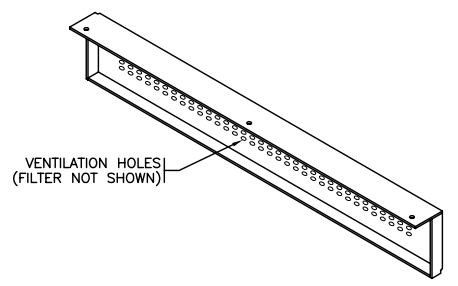
SECTION A
N.T.S.

DETAIL 1 SINGLE DOOR - ELECTRICAL KIOSK
N.T.S.

ISOMETRIC VIEW



DETAIL 2 ROOF
N.T.S.



DETAIL 3 FILTER BRACKET
N.T.S.

HARDWARE LIST				
REFERENCE	QTY	DESCRIPTION	MANUFACTURER	PART NUMBER
H01	8	ROLLER (BALL BEARING)	KILLIAN BEARING	SR290-35N
H02	2	KEYED DOOR LOCK	PELCO	SM - 1026
H03	2	CENTRE LATCH	FAUCHER	700-5463
H04	2	DOOR HANDLE	FAUCHER	671-5051
H05	1	DOOR GASKET (POWDER COATED GALV.)	FAUCHER	670-0834

- GENERAL NOTES:**
- CABINET OUTER SHELL IS WELDED TO ROOF ASSEMBLY, EQUIPMENT MOUNTING PANEL MOUNTS AND BASE PLATES.
 - ADJUST KIOSK SIZE SUIT.

SINGLE DOOR - ELECTRICAL KIOSK
GENERAL ASSEMBLY