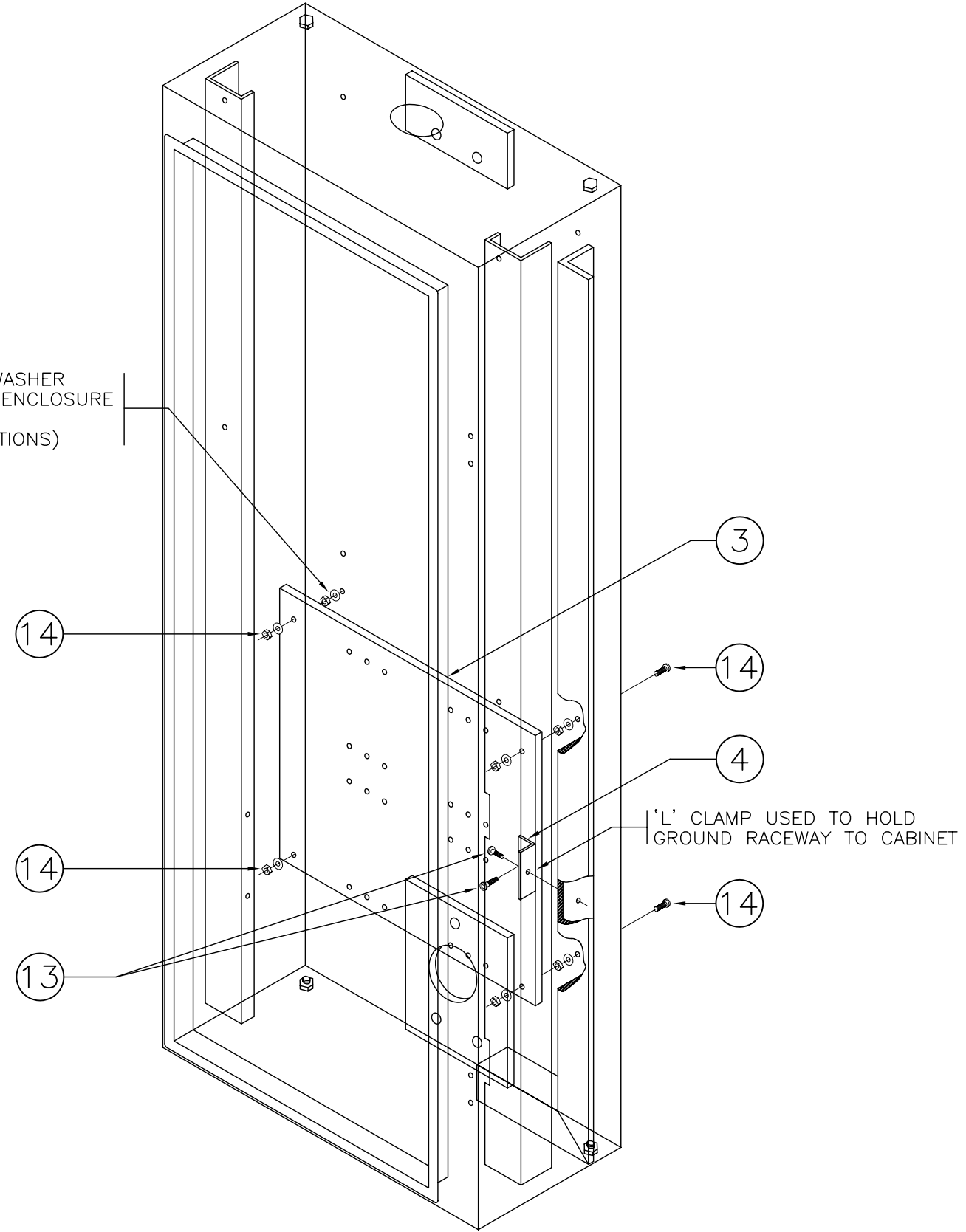


NUT AND STAR WASHER
BETWEEN PANEL ENCLOSURE
AND PLATE
(TYPICAL 4 LOCATIONS)



'L' CLAMP USED TO HOLD
GROUND RACEWAY TO CABINET

ASSEMBLY VIEW

SEE DRAWING MS403.1 FOR NOTES

NOT TO SCALE

100A-120/208V SERVICE/DISTRIBUTION PANEL
DETAILS