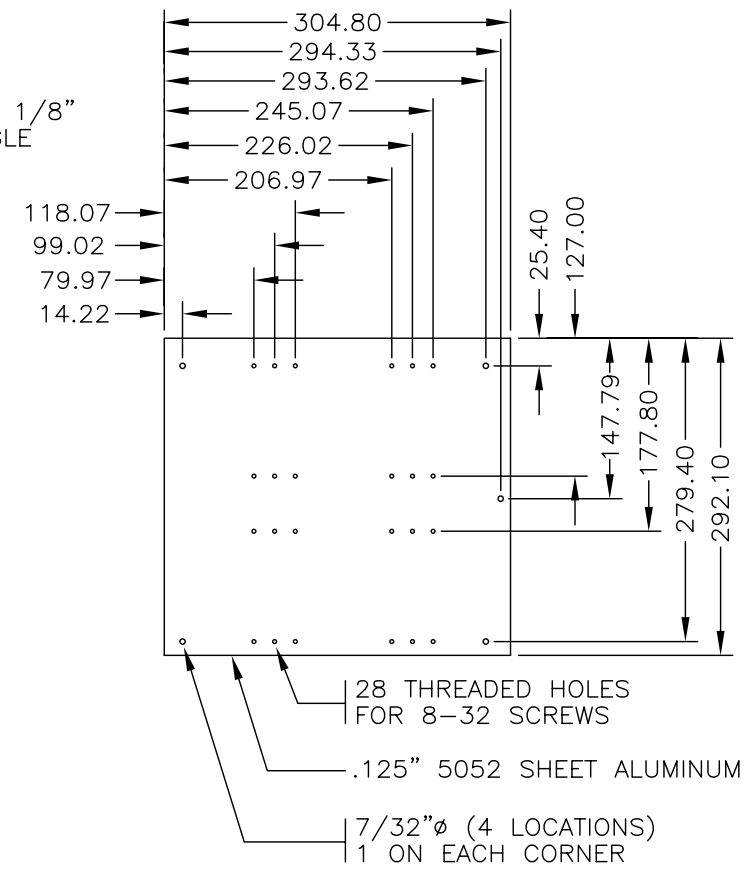
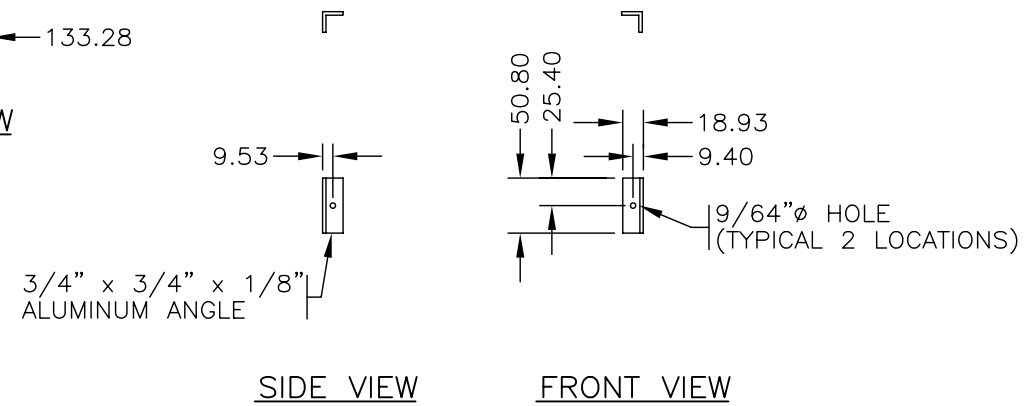


**ITEM 2**  
(GROUND RACEWAY)



**ITEM 3**  
(CONTACTOR & FLASHER MOUNTING PLATE)



**ITEM 4**  
( 'L' CLAMP FOR GROUND RACEWAY)

SEE DRAWING MS401.1 FOR NOTES

SCALE 1:7.5



DIMENSIONS FOR REFERENCE ONLY  
MANUFACTURER TO VERIFY FOR PROPER FIT

100A-120/240V SERVICE/DISTRIBUTION PANEL  
DETAILS