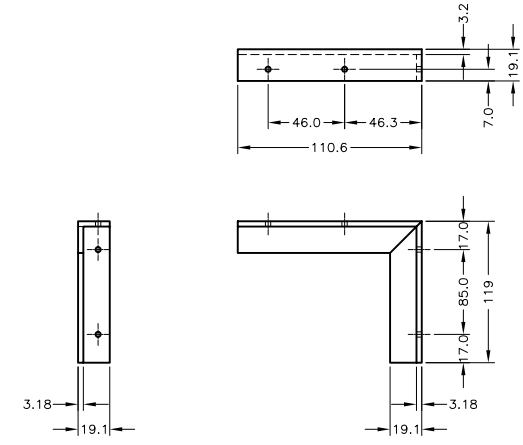
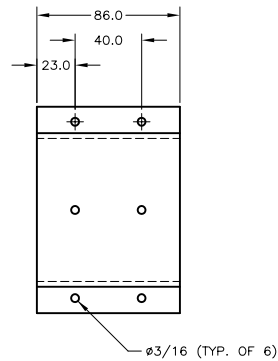
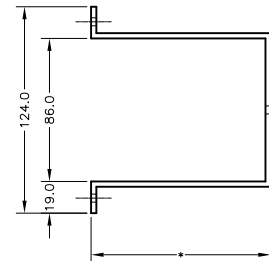


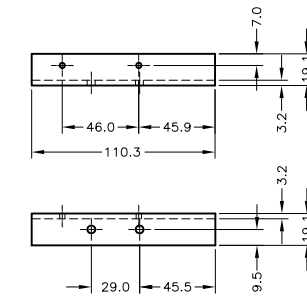
PART 003: STANDOFF
 MATERIAL: 1/8" ALUMINIUM
 SCALE 1:5



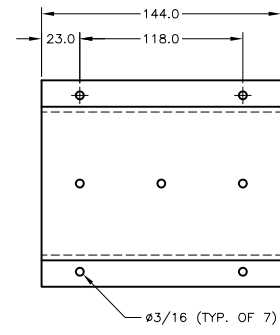
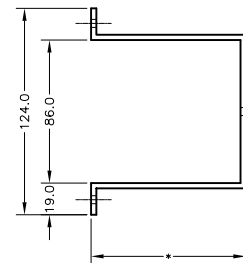
PART 008: STANDOFF
 MATERIAL: 3/4" x 3/4" x 1/8" ALUMINIUM
 SCALE 1:5



PART 004: STANDOFF
 MATERIAL: 1/8" ALUMINIUM
 SCALE 1:5



PART 009: STANDOFF
 MATERIAL: 1/8" ALUMINIUM
 SCALE 1:5



PART 005: STANDOFF
 MATERIAL: 1/8" ALUMINIUM
 SCALE 1:5

* TO SUIT HEIGHT OF BREAKER

HIGHMAST DISTRIBUTION PANEL
 DETAILS