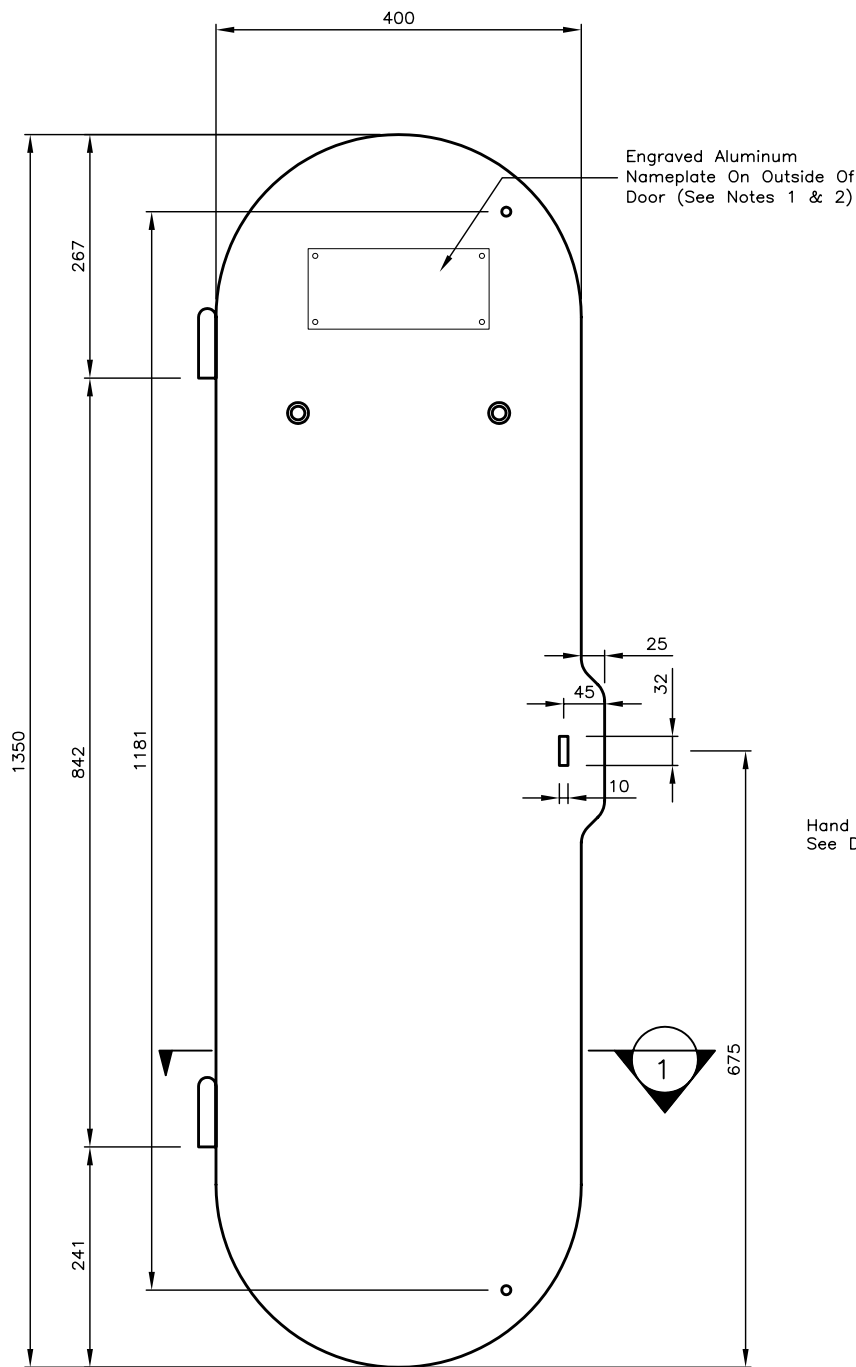
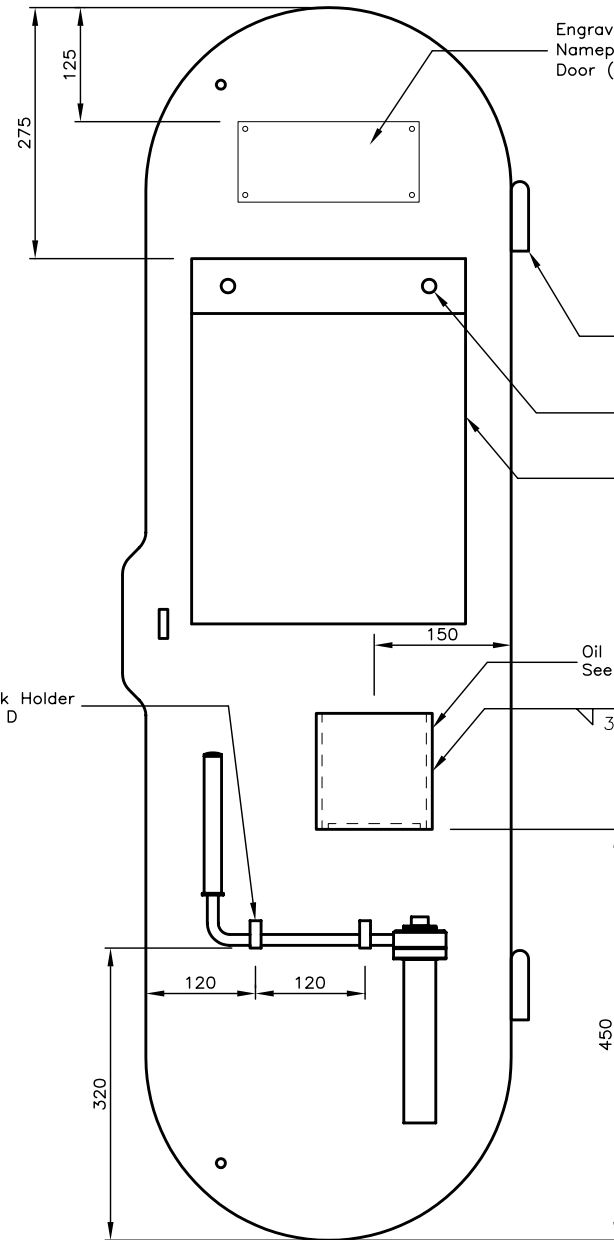


Notes:

- 1) Refer to Ministry Material Standard Specifications Chapter MS307 for Pole Specifications.
- 2) All Nuts, Bolts And Washers To Be Assembled On Pole.
- 3) All Dimensions Are In Millimetres Unless Otherwise Noted.



Engraved Aluminum Nameplate On Outside Of Door (See Notes 1 & 2)



Engraved Aluminum Nameplate On Inside Of Door (See Notes 1 & 3)

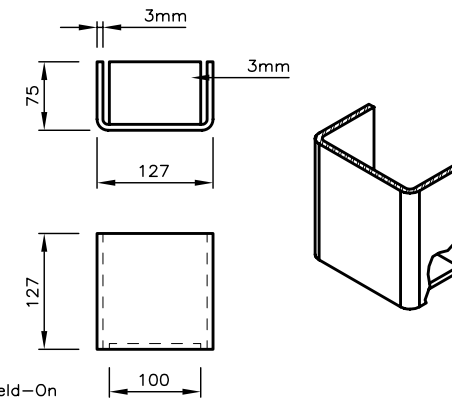
Intercon Type-V2A Weld-On Stainless Steel (304) 150mm Hinge Mount (Typ.)

Attach To Door With 2-3/8" Stainless Steel Hex Head Bolts, Nuts & Flat Washers

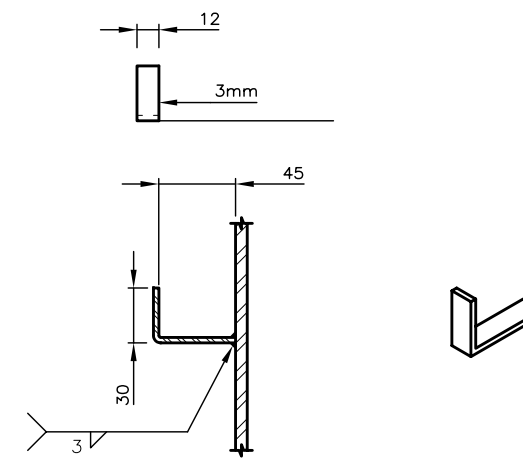
Waterproof Manual Holder (300 Wide x 400 High)

Oil Can Holder See Detail C

Hand Crank Holder See Detail D



DETAIL C

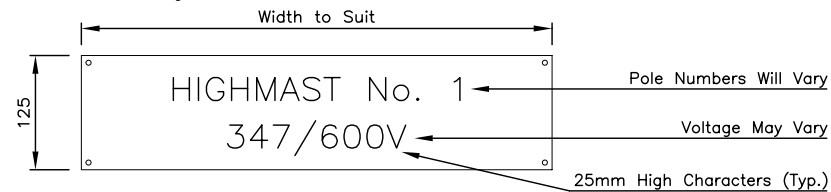


DETAIL D

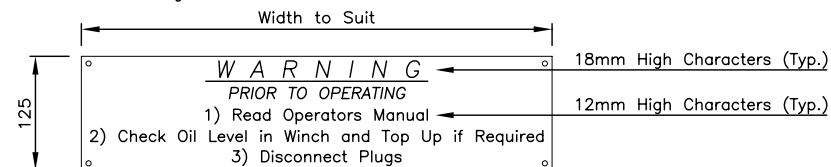
Notes: FRONT VIEW

1. Engraved Aluminum Nameplates shall have Black Paint Filled Characters and a Rubber Backing (see below for character height info.) The Nameplates shall be Bolted to Handhole Door with 4-3/16" Stainless Steel Screws & Nuts. Mount Back to Back on The Inside & Outside of Doors.

2. The Wording Shall Be As Follows:

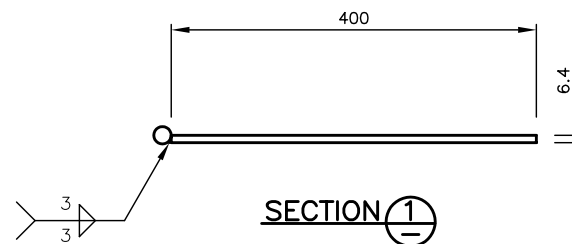


3. The Wording Shall Be As Follows:



**LARGE HANDHOLE DOOR**

BACK VIEW



SECTION 1

NOT TO SCALE

No.	Description	Date
J		
I		
H		
G		
F		
E		
D		
C		
B		
A		

HIGHMAST POLE HANDHOLE

DOOR DETAILS



Ministry of Transportation and Highways

Drawing No. MS362.3

REVISION