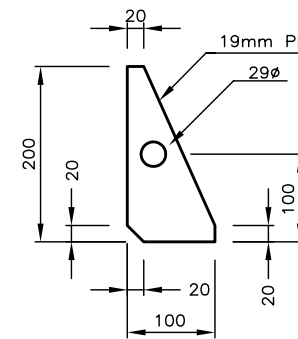
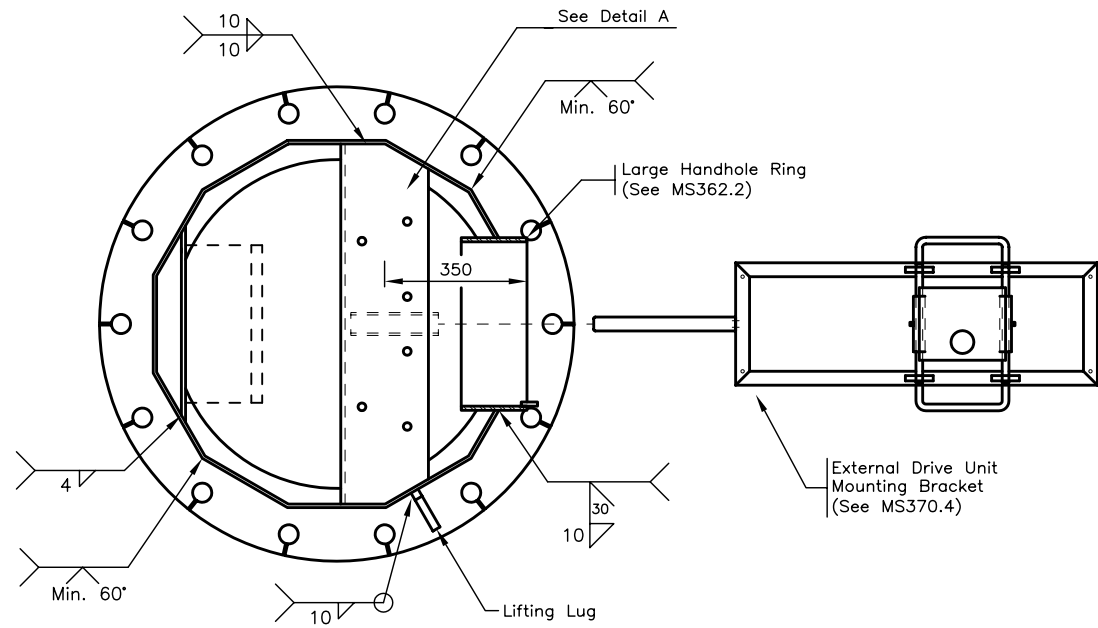
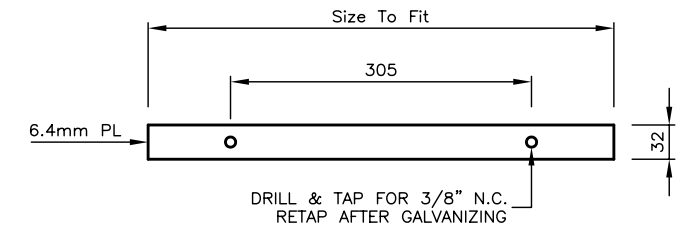


Notes:

- 1) Refer to Ministry Material Standard Specifications Chapter MS307 for Pole Specifications.
- 2) All Nuts, Bolts And Washers To Be Assembled On Pole.
- 3) All Dimensions Are In Millimetres Unless Otherwise Noted.

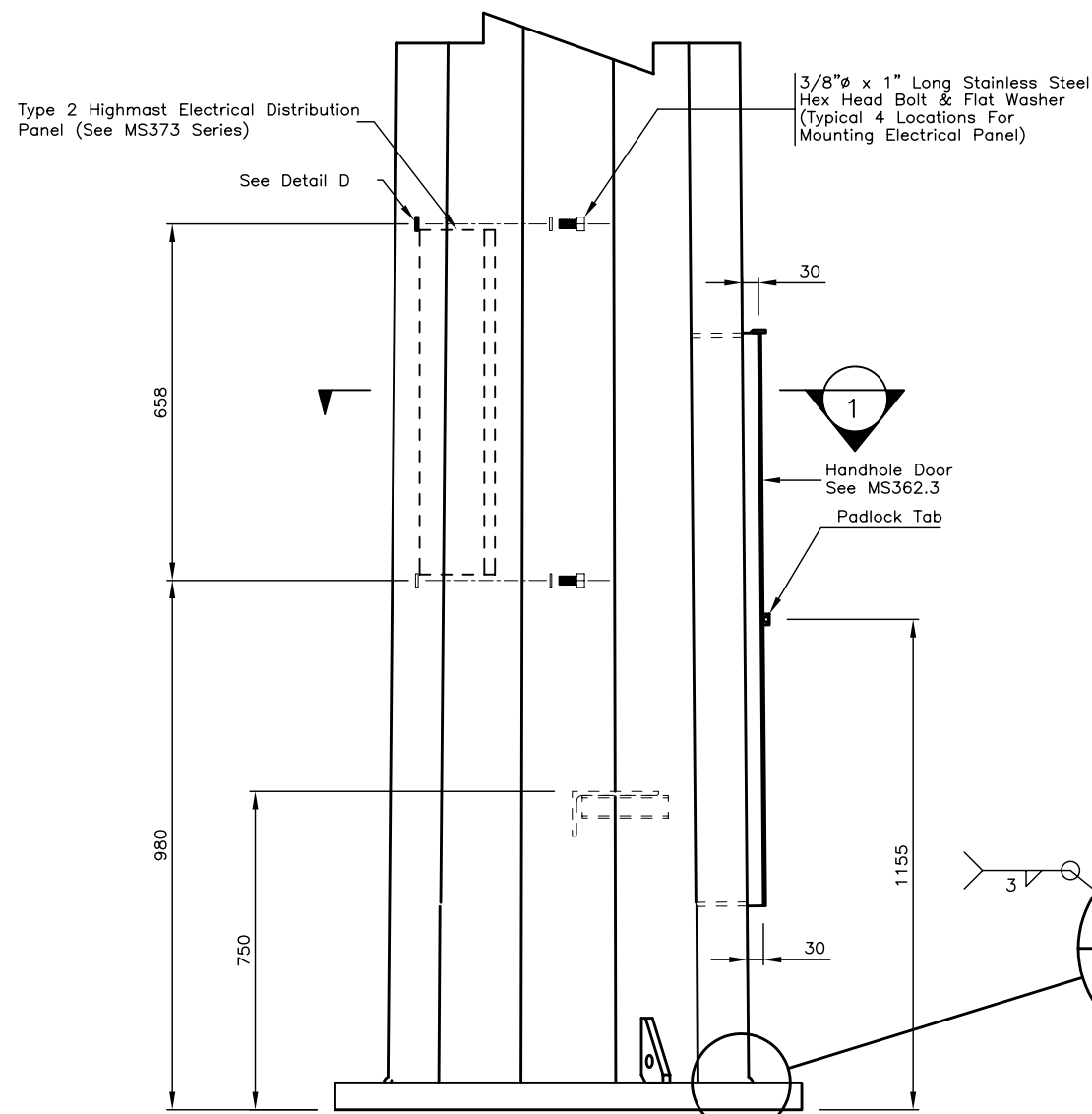


**DETAIL C**  
Lifting Lug

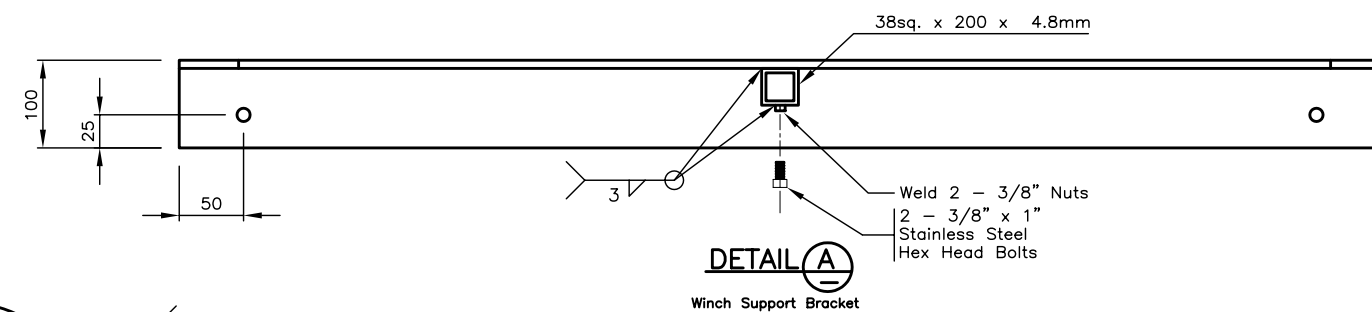
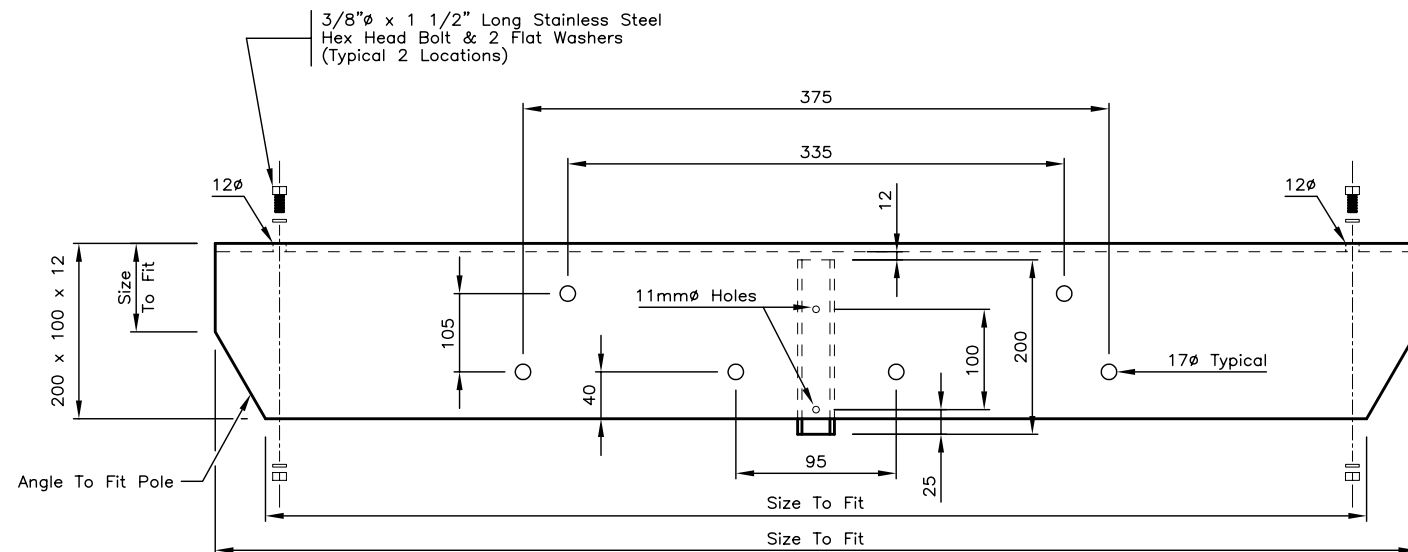


**DETAIL D**  
Panel Support Bracket

**SECTION 1**



**POLE BASE ASSEMBLY**



This Page Illustrates The Pole Base For The TYPE H 38m Highmast Pole. All Plates Remain In The Same Location. To Fit Dimensions Are Based On The Actual Shaft Being Built.

NOT TO SCALE

No.	Description	Date
J		
I		
H		
G		
F		
E		
D		
C		
B		
A		

REVISION

**HIGHMAST POLE BASE**

**DETAILS**



Ministry of Transportation and Highways

Drawing No. MS362.1