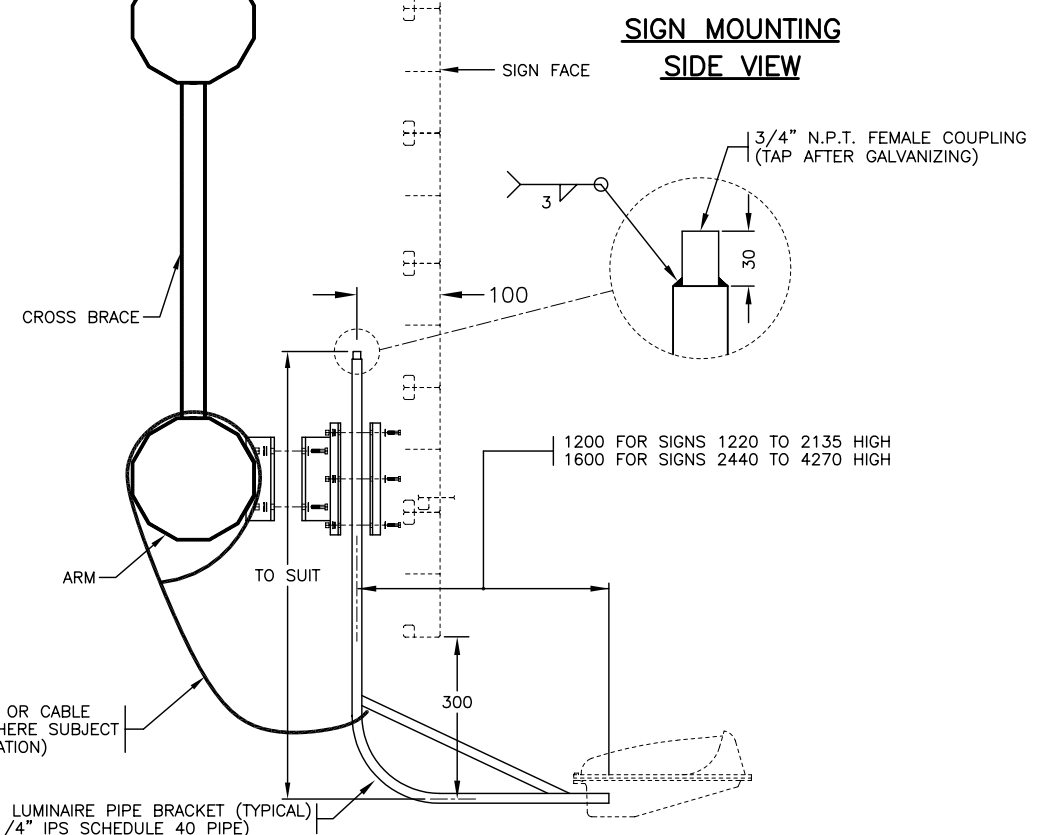
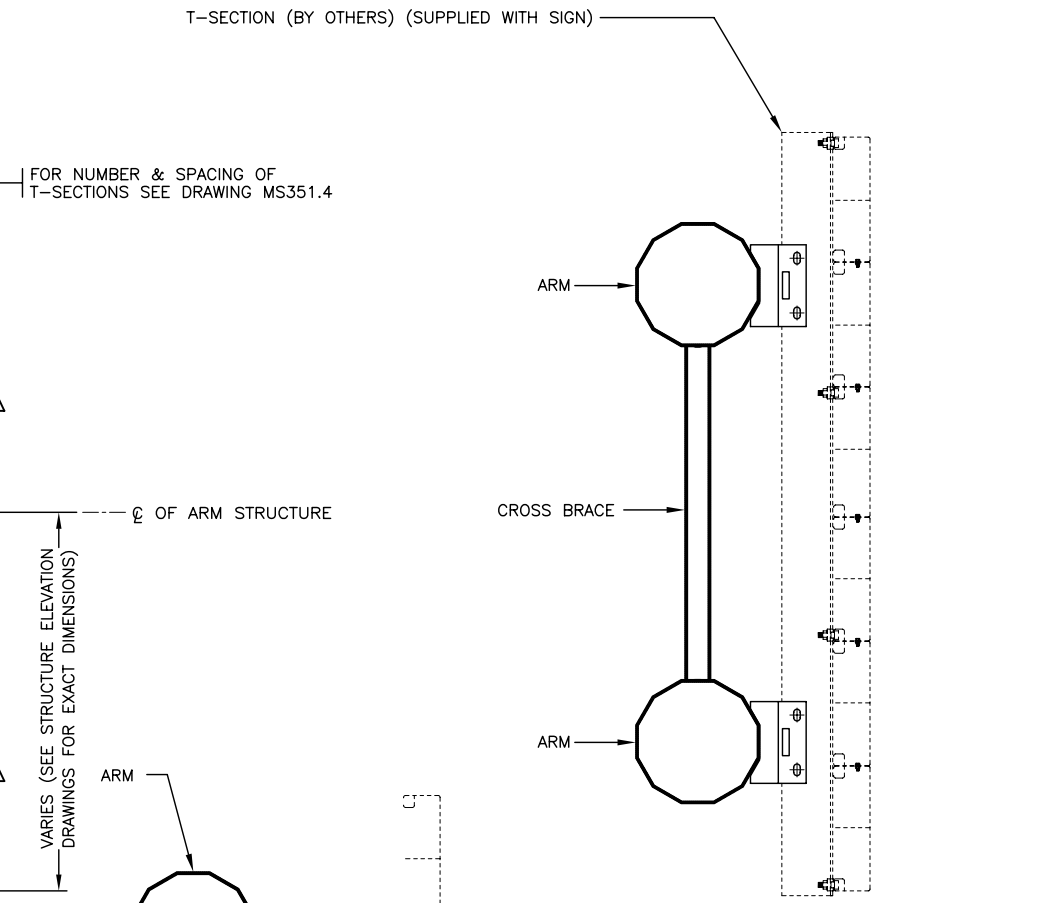


SIGN AND SIGN LUMINAIRE MOUNTING DETAILS – FRONT VIEW



SIGN LUMINAIRE MOUNTING SIDE VIEW

- NOTES**
- SEE MATERIAL STANDARD SPECIFICATIONS CHAPTER 306 – CANTILEVER AND SIGN BRIDGE STRUCTURES FOR ADDITIONAL INFORMATION.
 - ALL DIMENSIONS ARE IN MILLIMETRES UNLESS OTHERWISE NOTED.
 - SPACING AS NOTED ON STRUCTURE ELEVATION DRAWINGS.


NOT TO SCALE

No.	Description	Date
J		
I		
H		
G		
F		
E		
D		
C		
B		
A		

REVISION

GENERIC EXTRUDED ALUMINUM SIGN MOUNTING FOR DUAL TRUSS STRUCTURES

SIGN AND SIGN LUMINAIRE MOUNTING DETAILS


BRITISH COLUMBIA Ministry of Transportation and Highways
 Drawing No. **MS351.3**