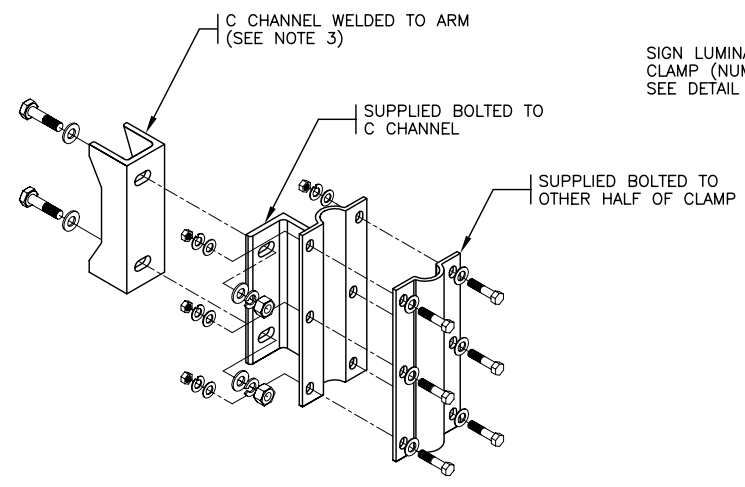
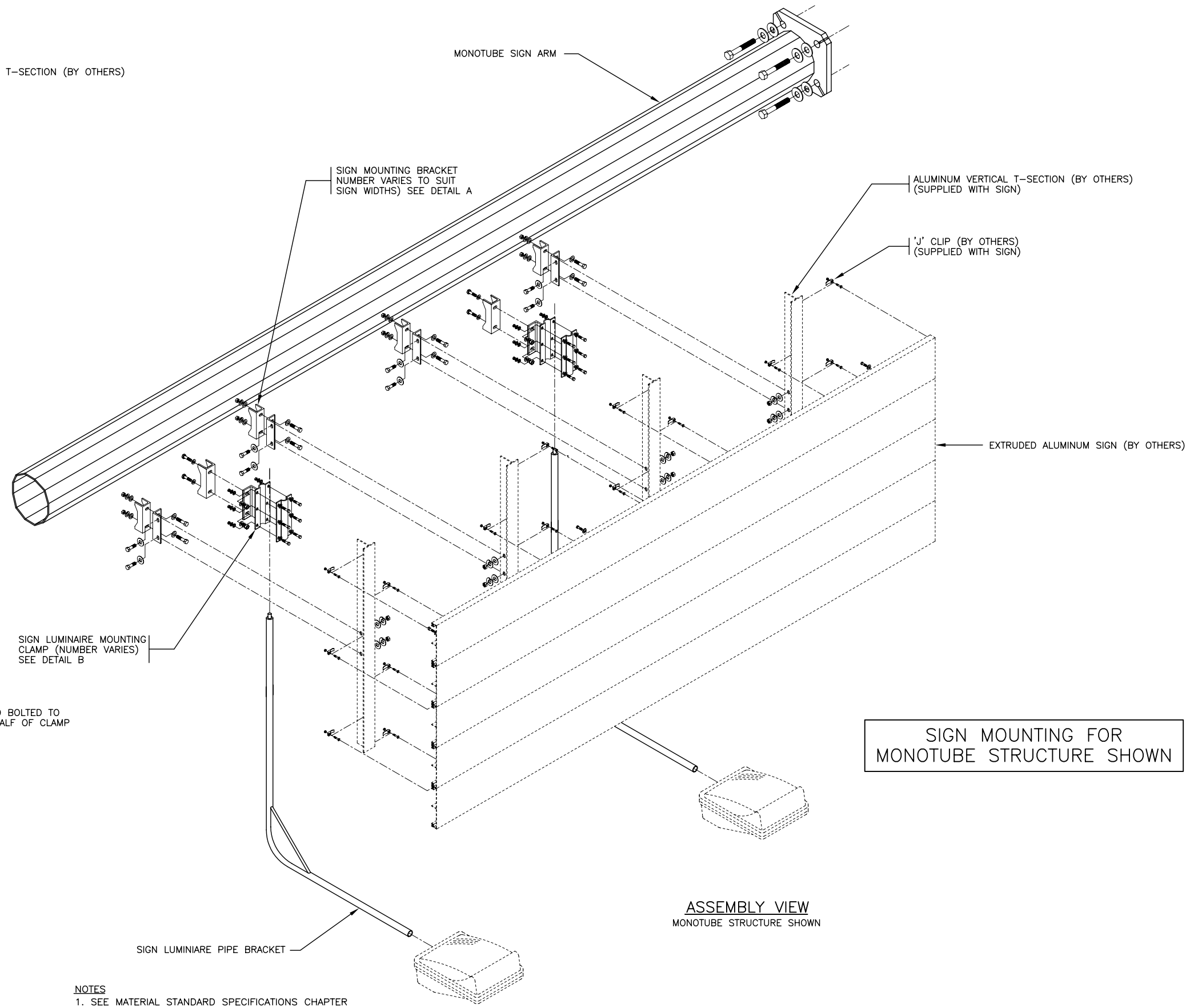


DETAIL A
SIGN MOUNTING BRACKET



DETAIL B
SIGN LUMINAIRE MOUNTING CLAMP



ASSEMBLY VIEW
MONOTUBE STRUCTURE SHOWN

- NOTES**
1. SEE MATERIAL STANDARD SPECIFICATIONS CHAPTER 306 - CANTILEVER AND SIGN BRIDGE STRUCTURES FOR ADDITIONAL INFORMATION.
 2. ALL DIMENSIONS ARE IN MILLIMETRES UNLESS OTHERWISE NOTED.
 3. PROVIDE SUFFICIENT WIDTH AND DEPTH TO FACILITATE FASTENING OF SIGN MOUNTING ANGLE AND SIGN LUMINAIRE MOUNTING CLAMP.

NOT TO SCALE

No.	Description	Date
J		
I		
H		
G		
F		
E		
D		
C		
B		
A		
REVISION		

**SIGN MOUNTING FOR
MONOTUBE STRUCTURE SHOWN**

**GENERIC EXTRUDED ALUMINUM SIGN MOUNTING
FOR CANTILEVER AND SIGN BRIDGE STRUCTURES**

SIGN AND LUMINAIRE MOUNTING DETAILS



BRITISH COLUMBIA

Ministry of
Transportation
and Highways

Drawing No.

MS351.1