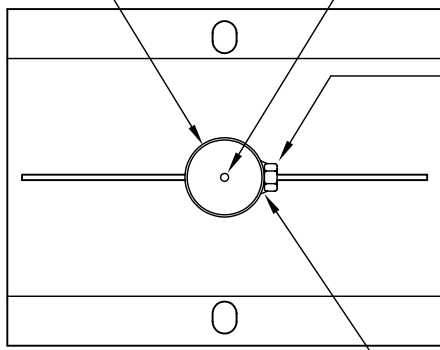


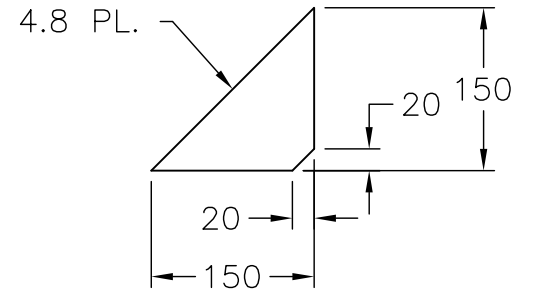
2 1/2" (I.P.S.)
SCHEDULE 40 PIPE.

25 ϕ DRAIN HOLE

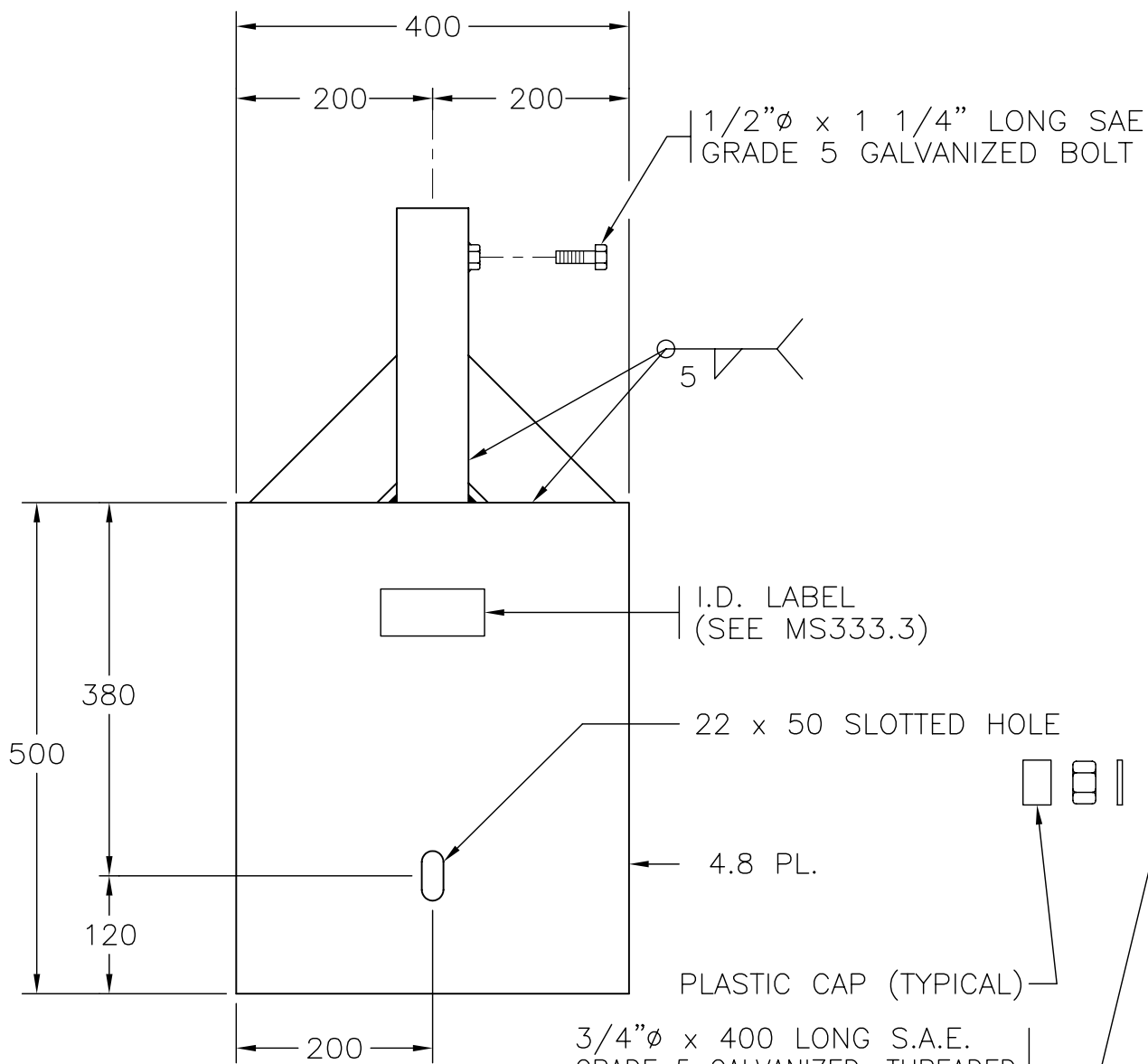
DRILL 14 ϕ HOLE IN
PIPE AND WELD
1/2" ϕ HEX NUT TO
PIPE



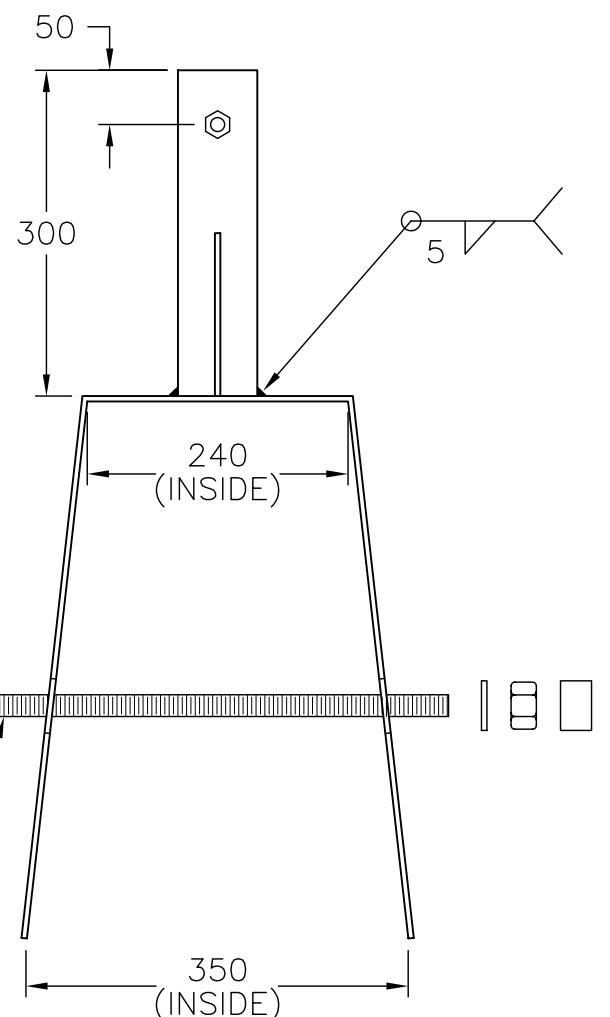
TOP VIEW



STIFFENER PLATE
(TYPICAL 2 LOCATIONS)



FRONT VIEW



SIDE VIEW

CRB SIGN STAND
(SN2180)

NOTES

1. SEE MATERIAL STANDARD SPECIFICATIONS SECTION 303 – BARRIER SIGN STANDS FOR ADDITIONAL INFORMATION.
2. ALL DIMENSIONS ARE IN MILLIMETRES UNLESS OTHERWISE NOTED.
3. 'SN' DENOTES MINISTRY STOCK NUMBER.

CRB BARRIER STAND MASS
22 kg

SCALE 1:10

No.	Revision	Date
F		
E		
D		
C		
B		
A		

CONCRETE MEDIAN BARRIER (CMB)
SIGN STAND DETAILS



BRITISH
COLUMBIA

Ministry of
Transportation
and Highways

SPECIFICATION
DRAWING No.
MS333.1