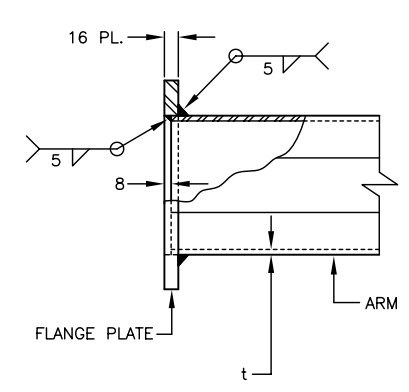
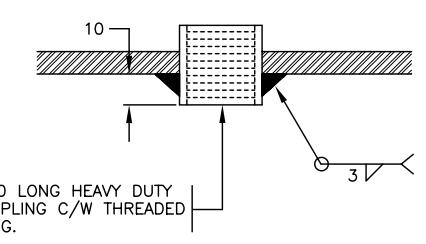
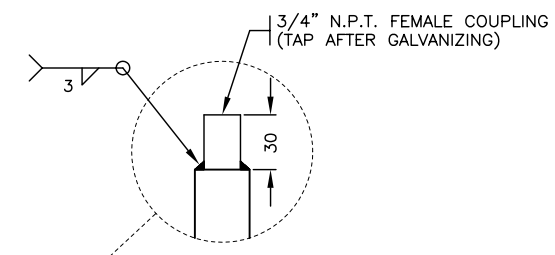


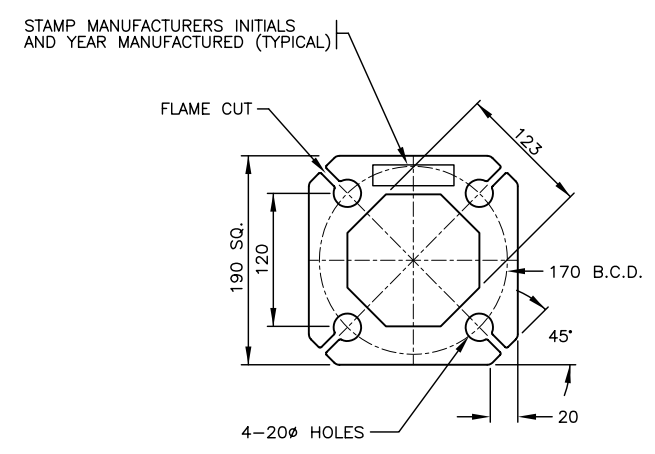
OPEN/CLOSED SIGN ARM WELD DETAILS



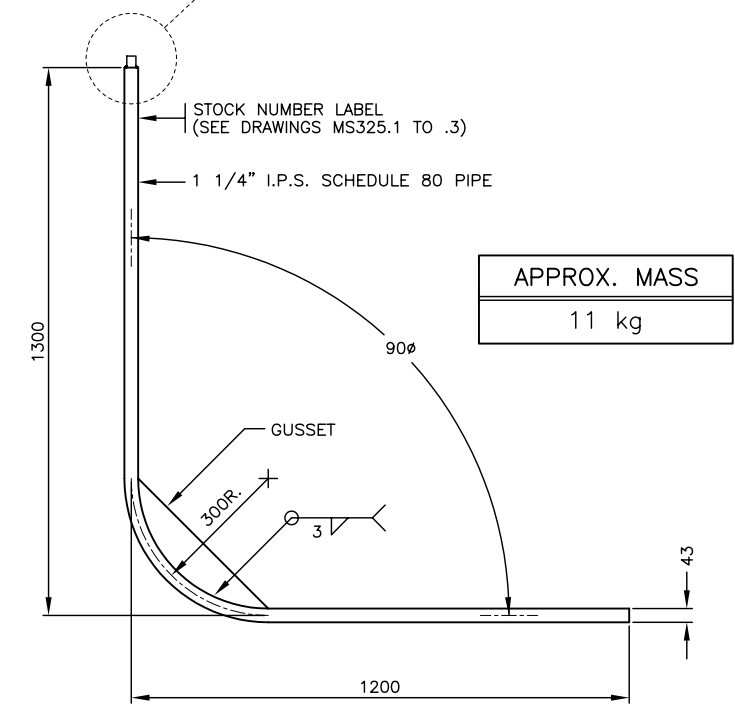
TYPE 1 FLANGE WELDING DETAILS



SIGN ARM COUPLING DETAIL

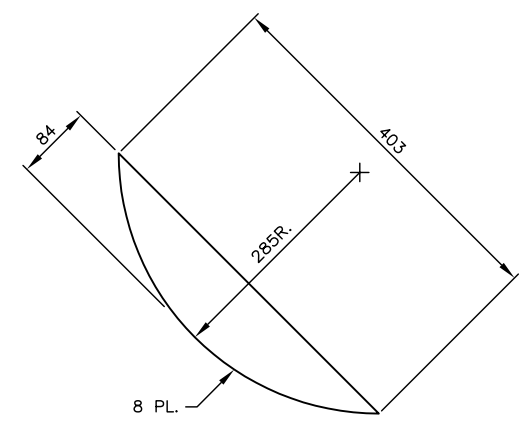


TYPE 1 FLANGE - PLAN VIEW



APPROX. MASS
11 kg

SIGN LUMINAIRE PIPE BRACKET (SN2109)



GUSSET

SEE DRAWING MS320.1 & .2 FOR NOTES

NOT TO SCALE

| No. | Description | Date |
|-----|--|-------|
| J | | |
| I | | |
| H | | |
| G | | |
| F | | |
| E | | |
| D | | |
| C | | |
| B | MODIFIED LENGTH OF SIGN LUMINAIRE PIPE BRACKET | DEC97 |
| A | ADDED SIGN LUMINAIRE PIPE BRACKET DETAIL | NOV96 |

OPEN/CLOSED SIGN ARM

DETAILS

| | | |
|--|--|-------------------------------|
| | BRITISH COLUMBIA Ministry of Transportation and Highways | Drawing No. MS320.4 |
|--|--|-------------------------------|