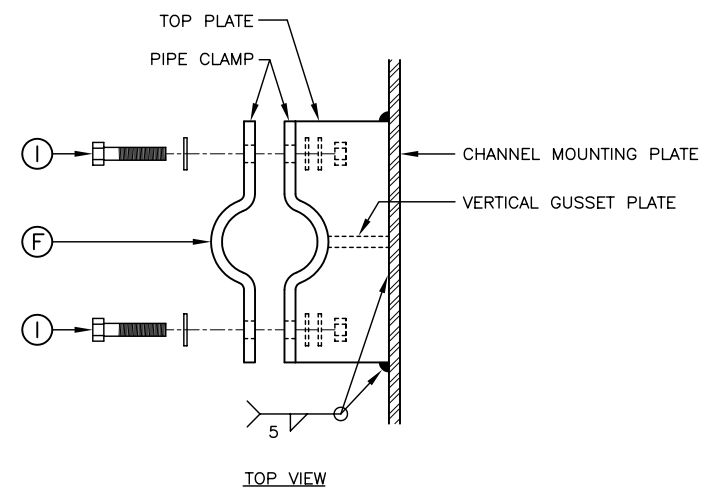
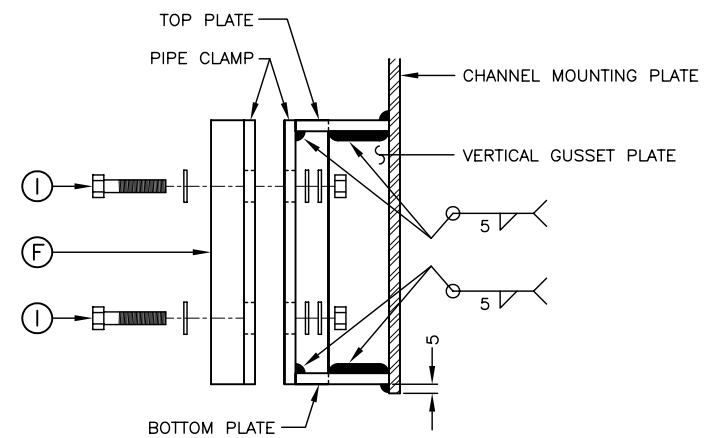


SIGN SUPPORT PLATE
(ITEM B)

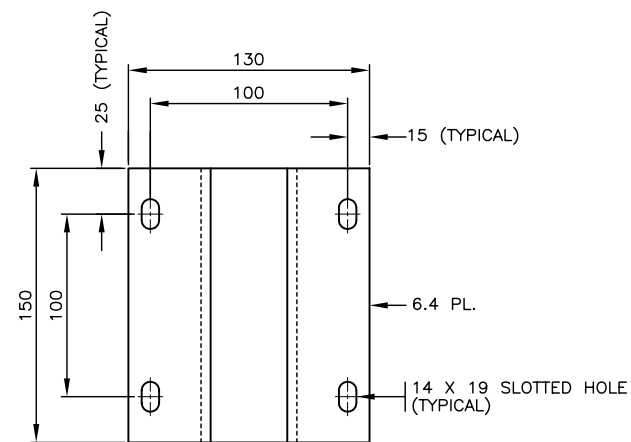
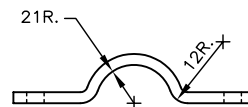


TOP VIEW

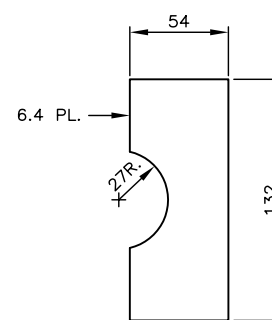


SIDE VIEW

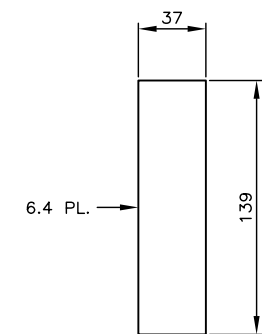
PIPE MOUNTING CLAMP



PIPE MOUNTING CLAMP
(ITEM F)



TOP AND BOTTOM PLATE



VERTICAL GUSSET PLATE

SEE DRAWING MS319.1 FOR NOTES

NOT TO SCALE

No.	Description	Date
J		
I		
H		
G		
F		
E		
D		
C		
B		
A		

REVISION

TYPE LB SIGN MOUNTING KIT

DETAILS



Ministry of
Transportation
and Highways

Drawing No.

MS319.4