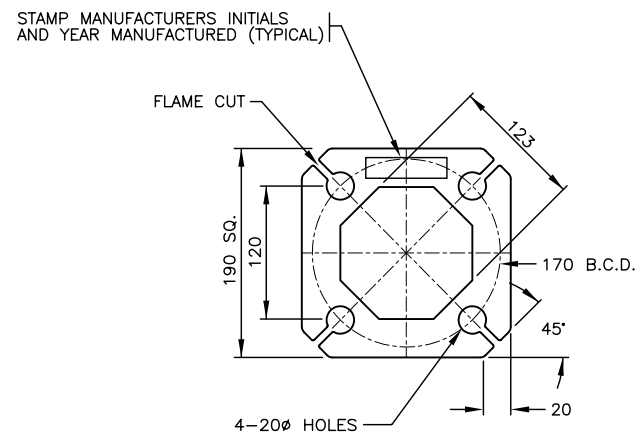
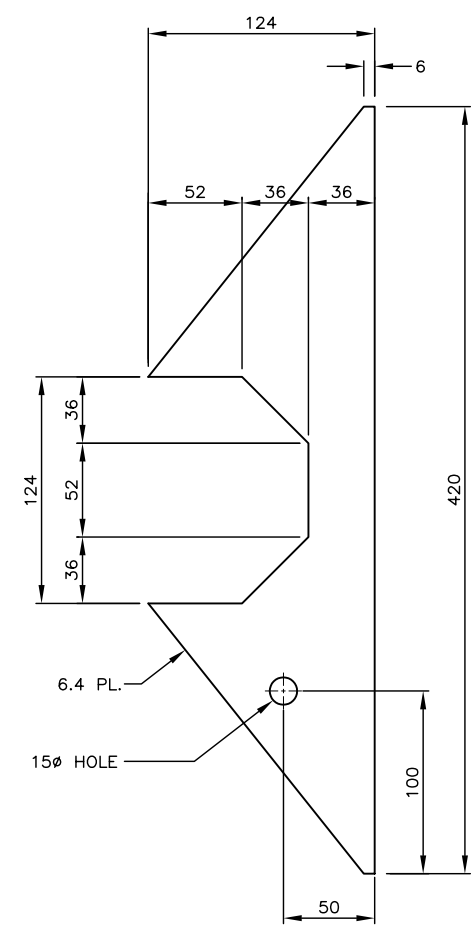


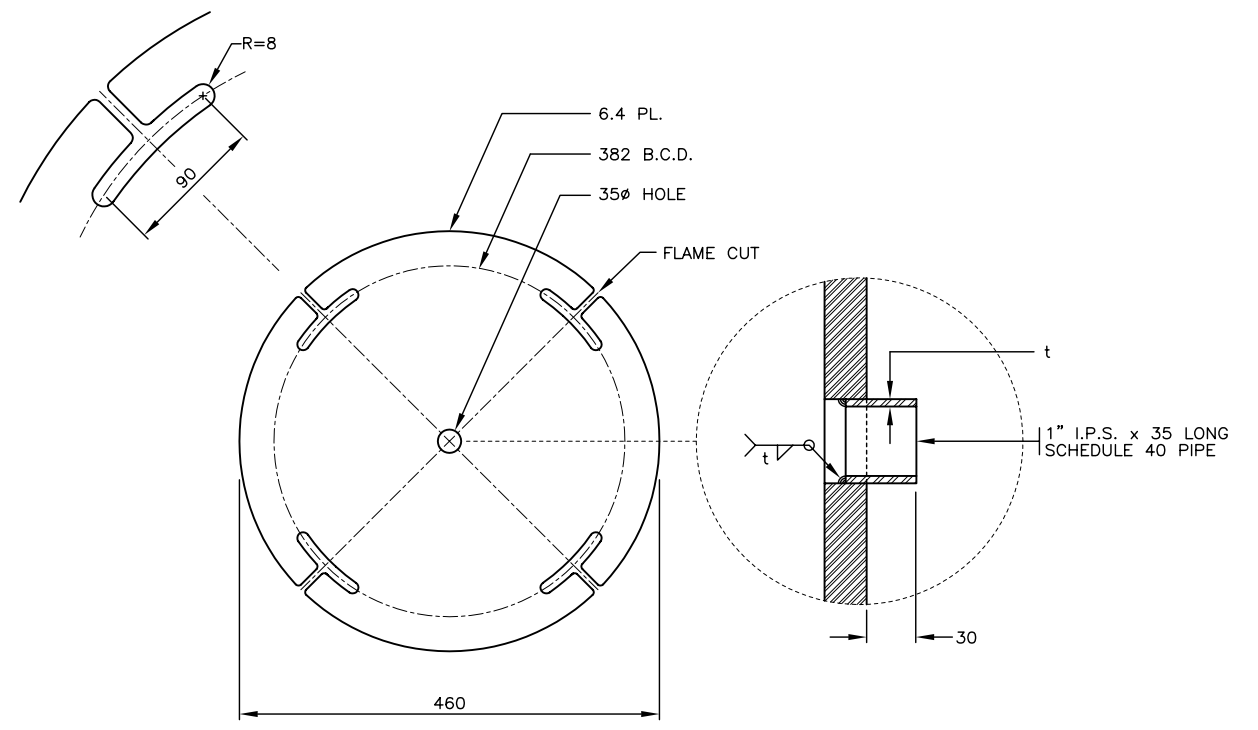
**TYPE 1 FLANGE  
WELDING DETAILS**



**TYPE 1 FLANGE - PLAN VIEW  
(PART OF ITEM A)**



**GUSSET  
(PART OF ITEM A)**



**PIVOT PLATE  
(PART OF ITEM A)**

SEE DRAWING MS319.1 FOR NOTES

NOT TO SCALE

No.	Description	Date
J		
I		
H		
G		
F		
E		
D		
C		
B		
A		

<b>TYPE LB SIGN MOUNTING KIT</b>	
<b>DETAILS</b>	
 <b>BRITISH COLUMBIA</b> Ministry of Transportation and Highways	Drawing No. <b>MS319.3</b>

REVISION