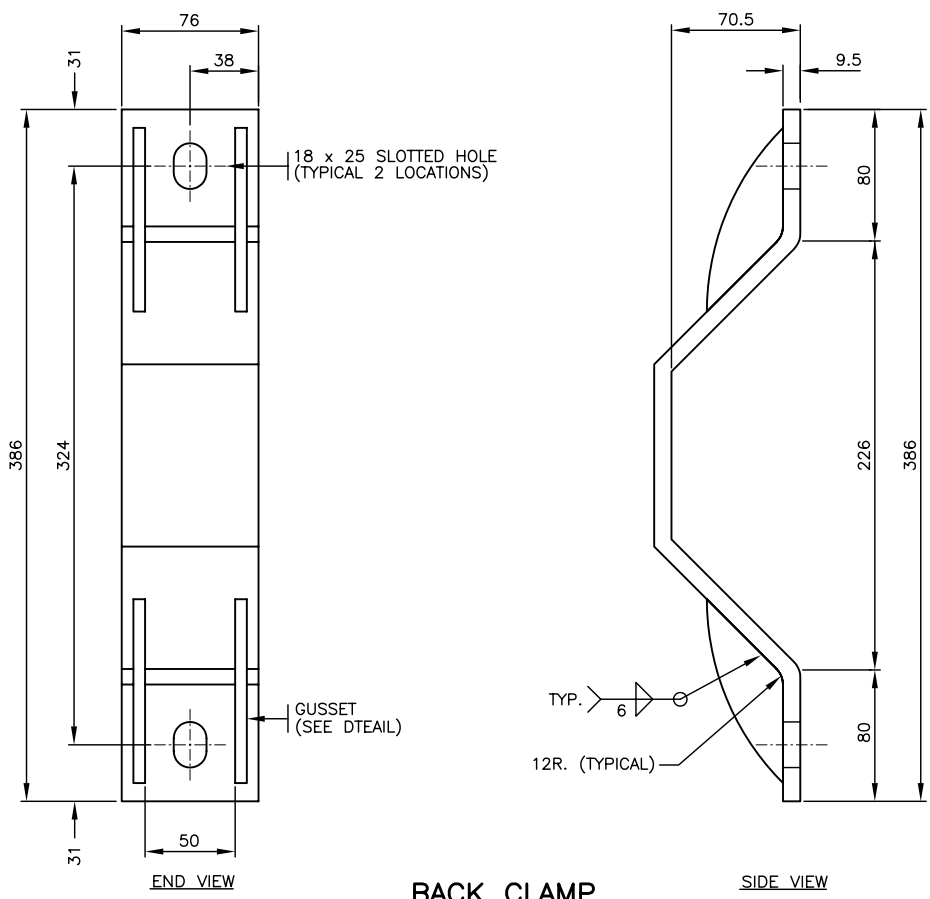
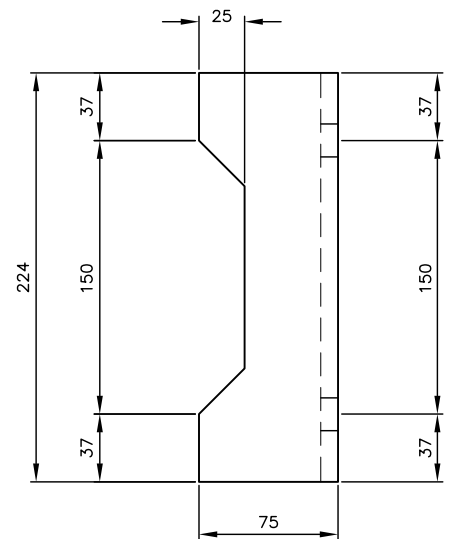


APPROX. MASS
9.3 kg

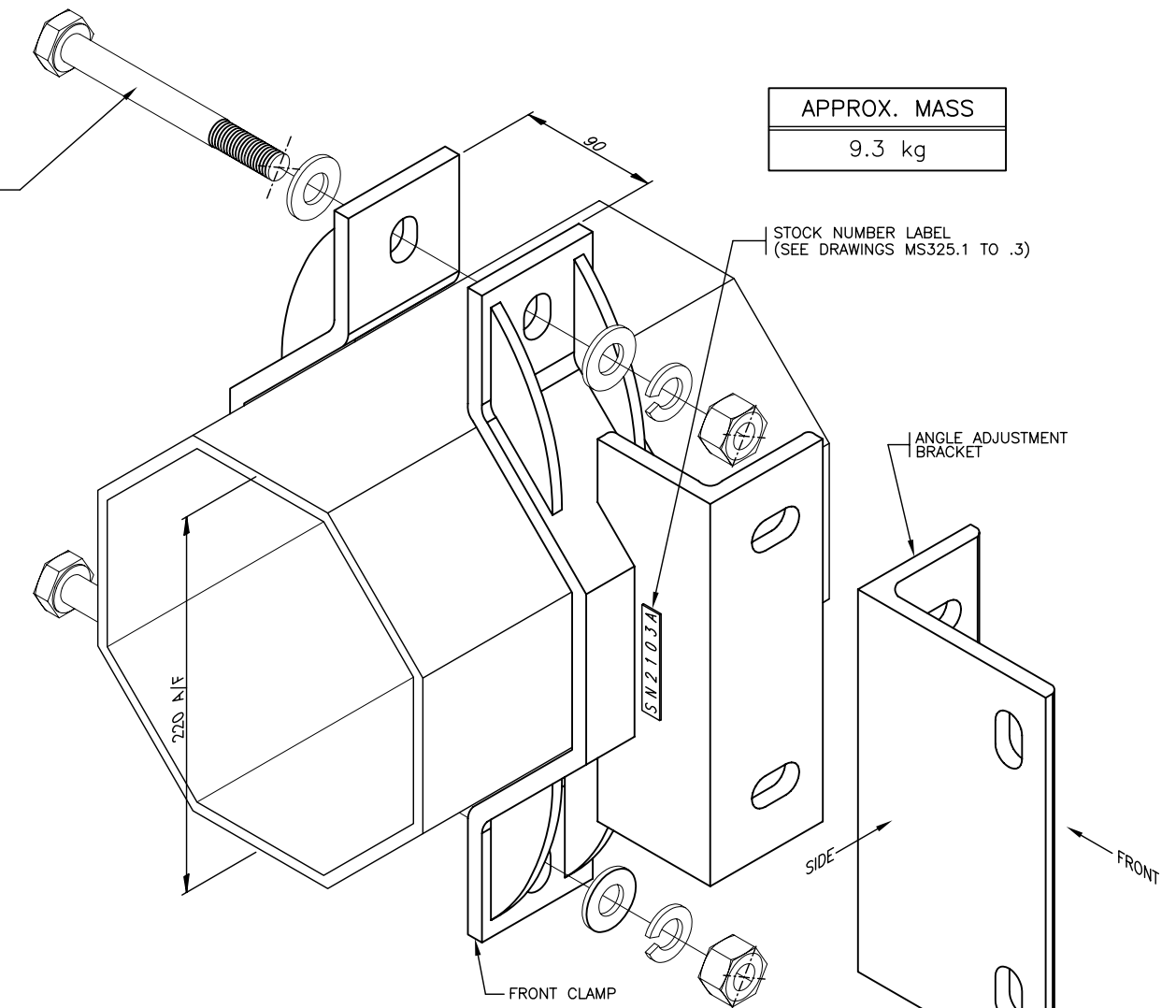
STOCK NUMBER LABEL
(SEE DRAWINGS MS325.1 TO .3)



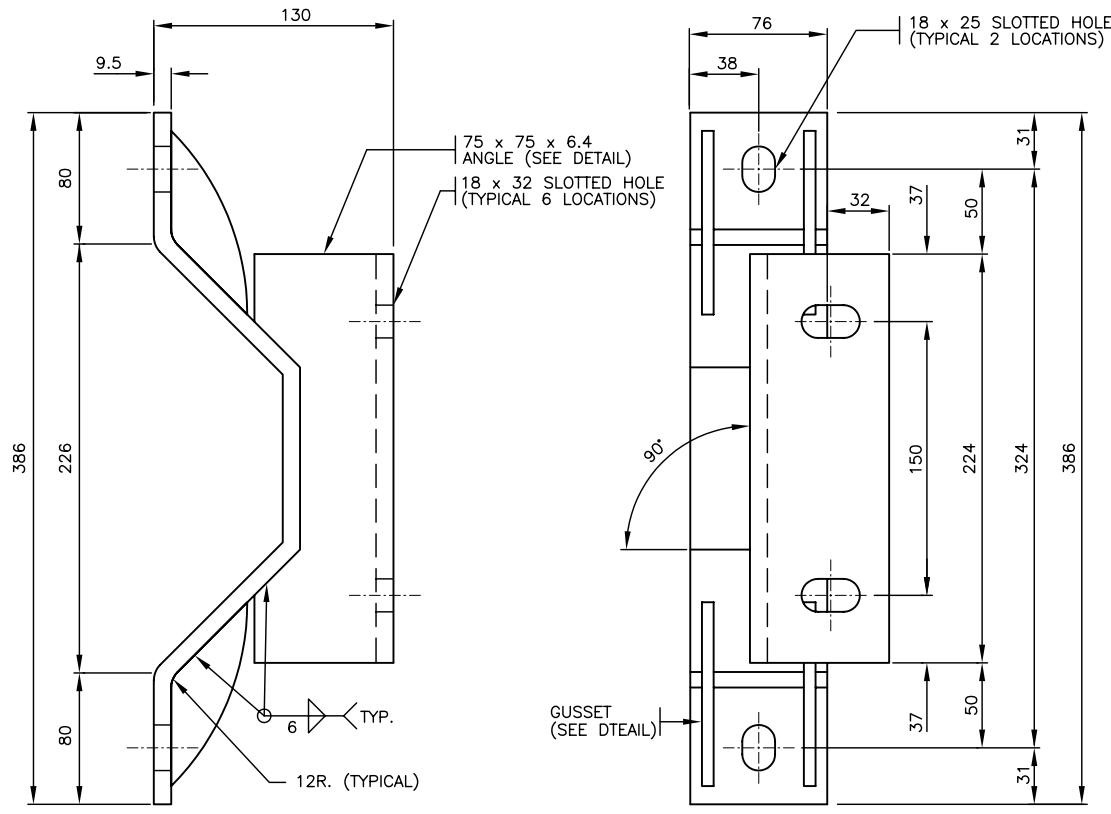
BACK CLAMP



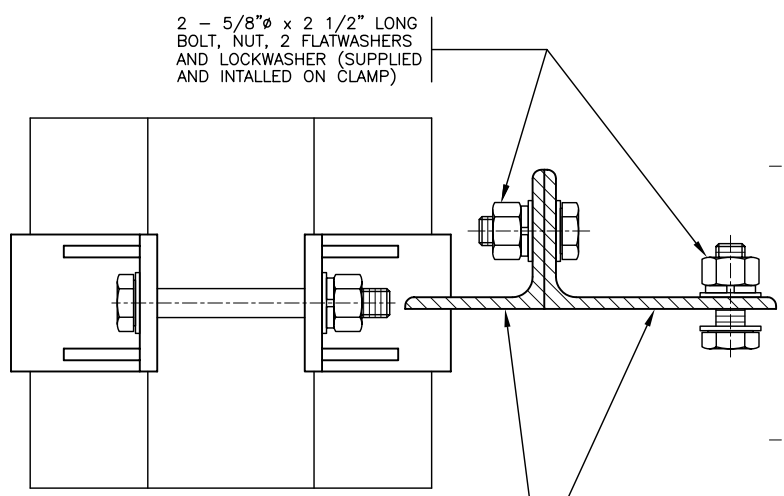
ANGLE DETAIL
(75 x 75 x 6.4)



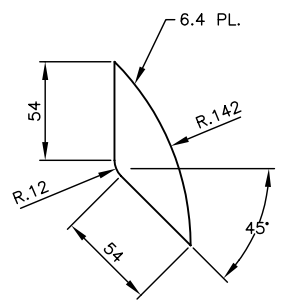
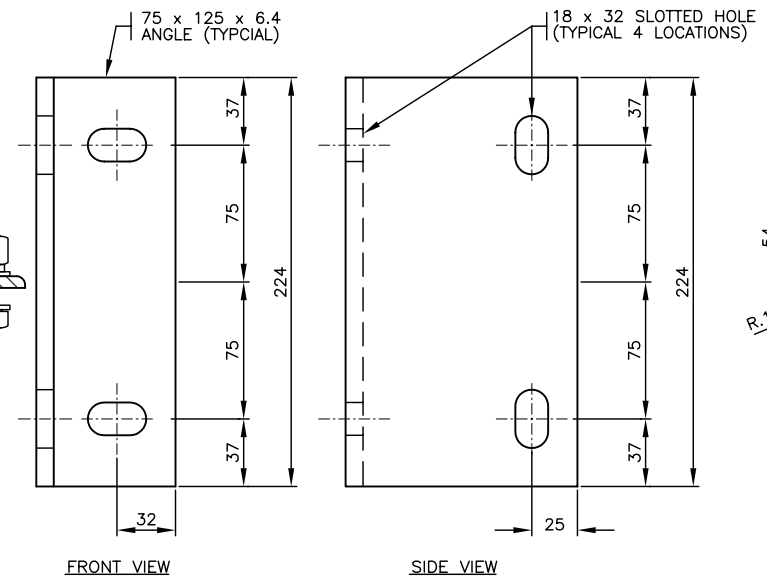
TYPE L1/L2 SIGN MOUNTING CLAMPS
(SN2103A)



FRONT CLAMP



ANGLE CONNECTION



GUSSET DETAIL

- NOTES
- SEE MATERIAL STANDARD SPECIFICATIONS CHAPTER 301 - TRAFFIC SIGNAL, LUMINAIRE, AND SIGN POLE STRUCTURES FOR ADDITIONAL INFORMATION.
 - ALL DIMENSIONS ARE IN MILLIMETRES UNLESS OTHERWISE NOTED.
 - 'SN' DENOTES MINISTRY STOCK NUMBER.
 - TOLERANCE ± 3 mm

NOT TO SCALE

No.	Description	Date
J		
I		
H		
G		
F		
E		
D		
C		
B		
A	PIPE BRACKET MOVED TO OPPOSITE SIDE OF ARM	NOV96

REVISION

TYPE L1/L2 SIGN MOUNTING CLAMPS

DETAILS

	Ministry of Transportation and Highways	Drawing No. MS318.7
--	---	-------------------------------

A