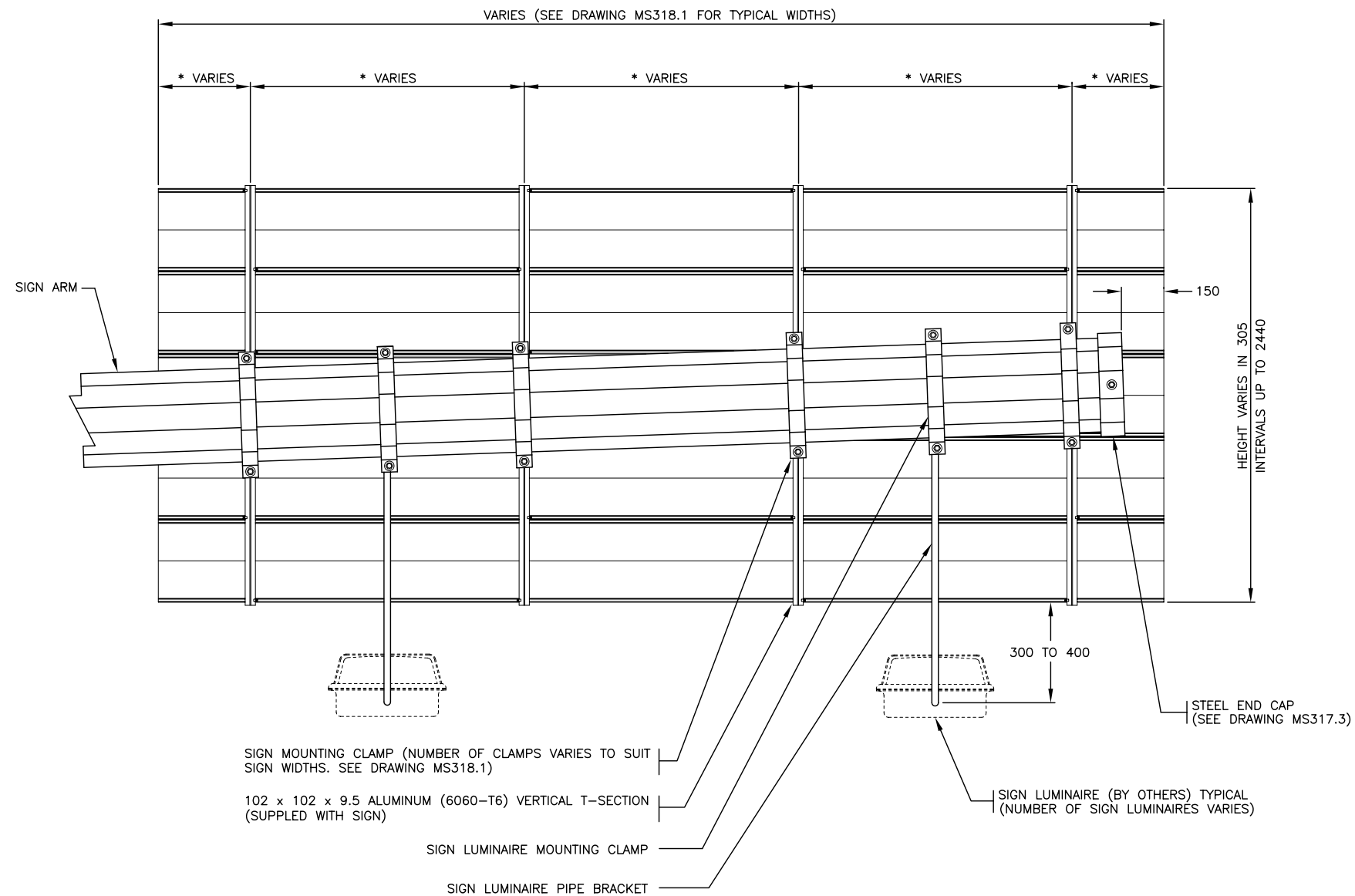
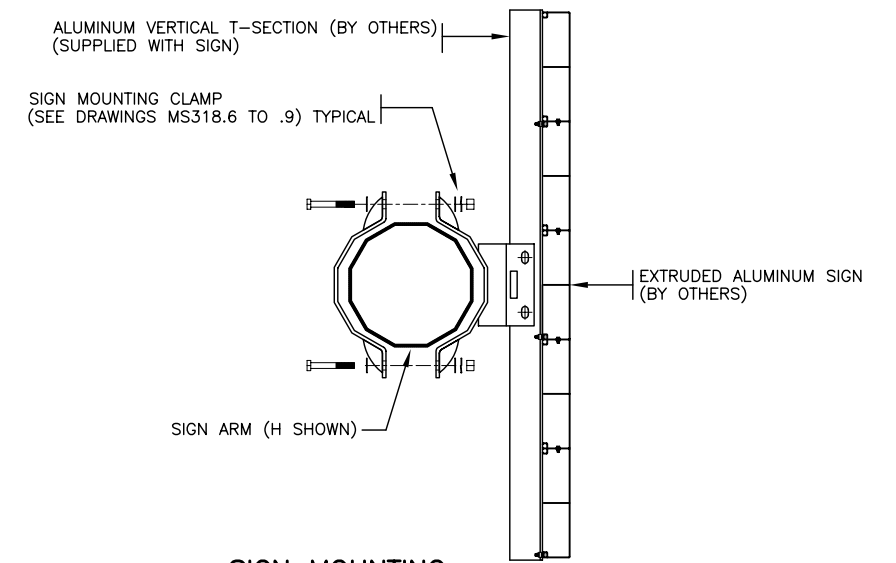


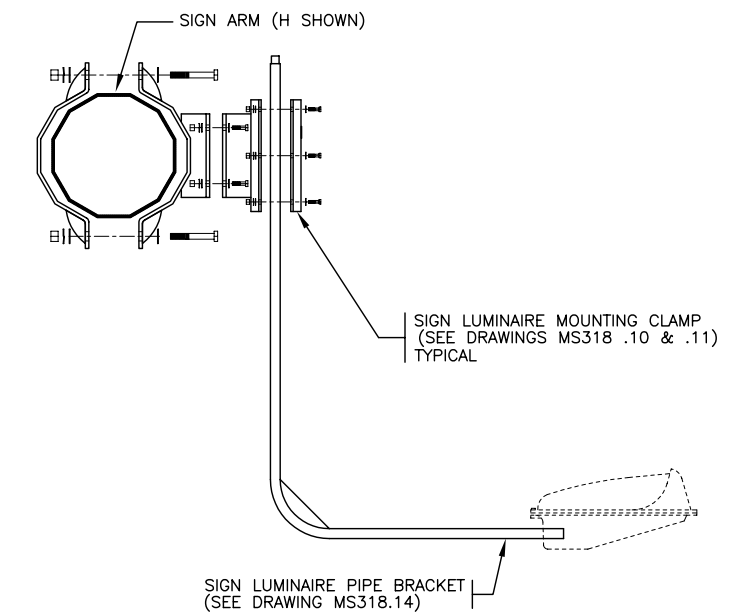
THE SIGN ELEVATION SHOWN BELOW IS INTENDED TO SHOW GENERAL ASSEMBLY ONLY.
 (*) INDICATES EXACT SPACING SHALL BE AS NOTED ON MINISTRY STANDARD SPECIFICATION FOR HIGHWAY CONSTRUCTION DRAWING SP235-3.3.13



EXTRUDED ALUMINUM SIGN AND SIGN LUMINAIRE MOUNTING DETAILS – REAR VIEW



SIGN MOUNTING ASSEMBLY VIEW



SIGN LUMINAIRE MOUNTING ASSEMBLY VIEW

- NOTES**
- SEE MATERIAL STANDARD SPECIFICATIONS CHAPTER 301 – TRAFFIC SIGNAL, LUMINAIRE, AND SIGN POLE STRUCTURES FOR ADDITIONAL INFORMATION.
 - ALL DIMENSIONS ARE IN MILLIMETRES UNLESS OTHERWISE NOTED.
 - 'SN' DENOTES MINISTRY STOCK NUMBER.

NOT TO SCALE

| No. | Description | Date |
|-----|--|-------|
| J | | |
| I | | |
| H | | |
| G | | |
| F | | |
| E | | |
| D | | |
| C | | |
| B | PIPE BRACKET MOVED TO OPPOSITE SIDE OF ARM | NOV96 |
| A | GENERAL REVISIONS | AUG96 |

SIGN MOUNTING BRACKETS FOR EXTRUDED ALUMINUM SIGNS

ASSEMBLY DETAILS



Ministry of Transportation and Highways

Drawing No. MS318.2

B