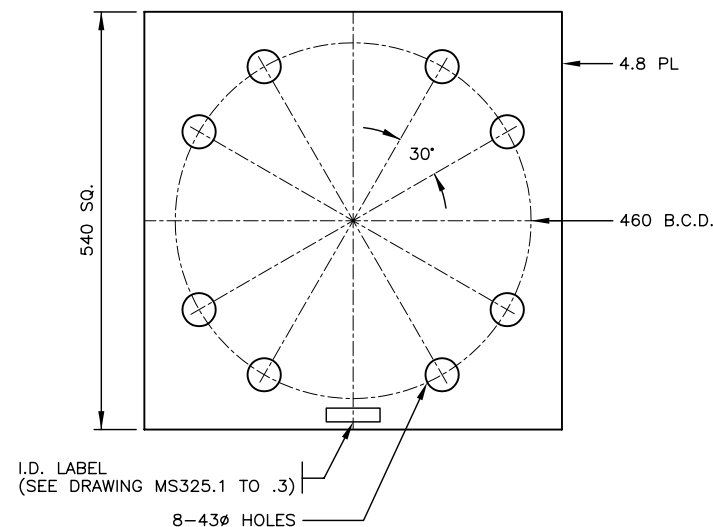


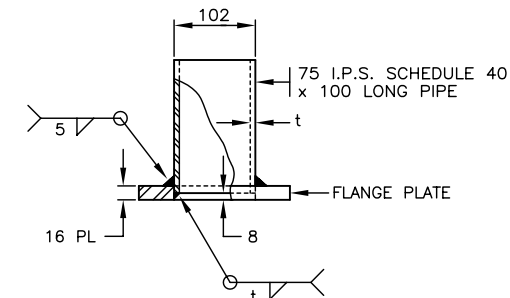
**NOTE:**  
SUPPLY 4-1"Ø x 2 1/2" LONG BOLTS AND  
FLATWASHERS INSTALLED ON TYPE 5 FLANGE  
COVER PLATE.

**TYPE 5 FLANGE COVER – PLAN VIEW**  
(SN2086)

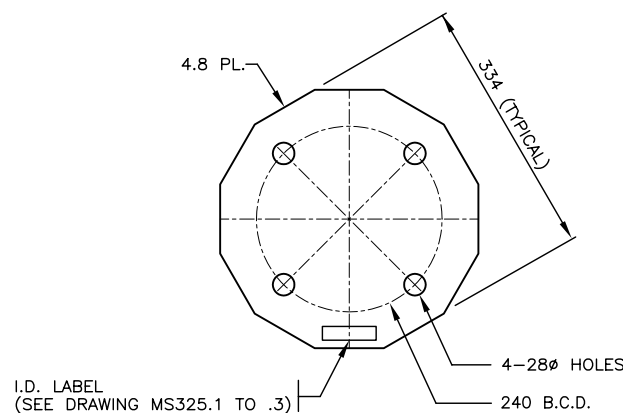


I.D. LABEL  
(SEE DRAWING MS325.1 TO .3)

**TYPE 6 FLANGE COVER – PLAN VIEW**  
(SN2087)

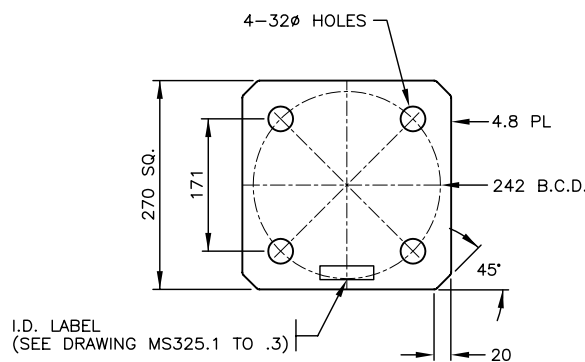


**POST TOP TENON  
WELDING DETAILS**



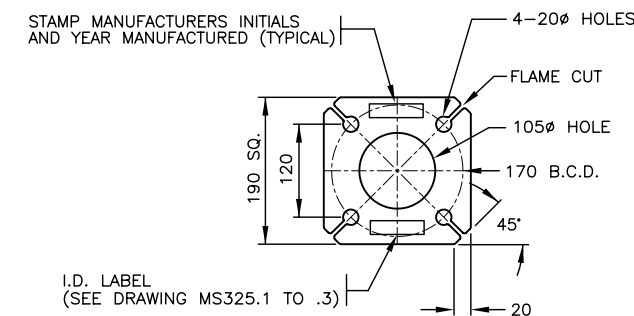
**NOTE:**  
SUPPLY 4-1"Ø x 2 1/2" LONG BOLTS AND  
FLATWASHERS INSTALLED ON TYPE 7 FLANGE  
COVER PLATE.

**TYPE 7 FLANGE COVER – PLAN VIEW**  
(SN2088)



I.D. LABEL  
(SEE DRAWING MS325.1 TO .3)

**TYPE 8 FLANGE COVER – PLAN VIEW**  
(SN2089)



I.D. LABEL  
(SEE DRAWING MS325.1 TO .3)

**POST TOP TENON – PLAN VIEW**  
(SN1831)

- NOTES**
- SEE MATERIAL STANDARD SPECIFICATIONS CHAPTER 301 – TRAFFIC SIGNAL, LUMINAIRE, AND SIGN POLE STRUCTURES FOR ADDITIONAL INFORMATION.
  - ALL DIMENSIONS ARE IN MILLIMETRES UNLESS OTHERWISE NOTED.
  - 'SN' DENOTES MINISTRY STOCK NUMBER.

NOT TO SCALE

No.	Description	Date
J		
I		
H		
G		
F		
E		
D		
C		
B		
A		

REVISION

**FLANGE COVER PLATES AND POST TOP ADAPTOR**

**DETAILS**



Ministry of  
Transportation  
and Highways

Drawing No.  
**MS317.6**