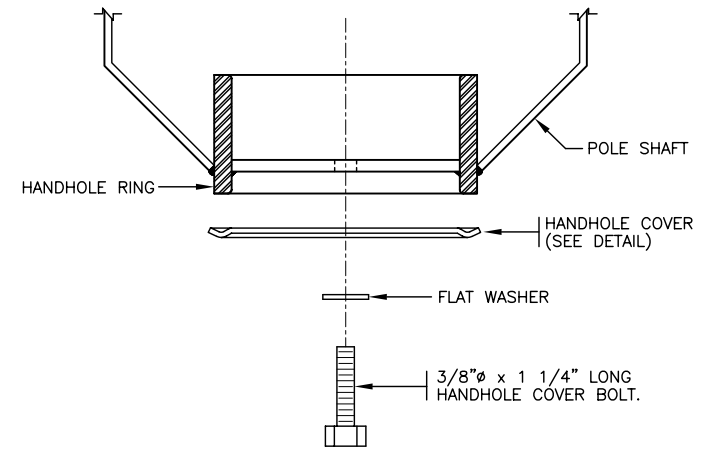
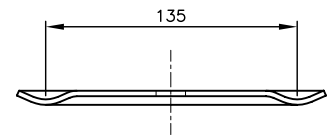


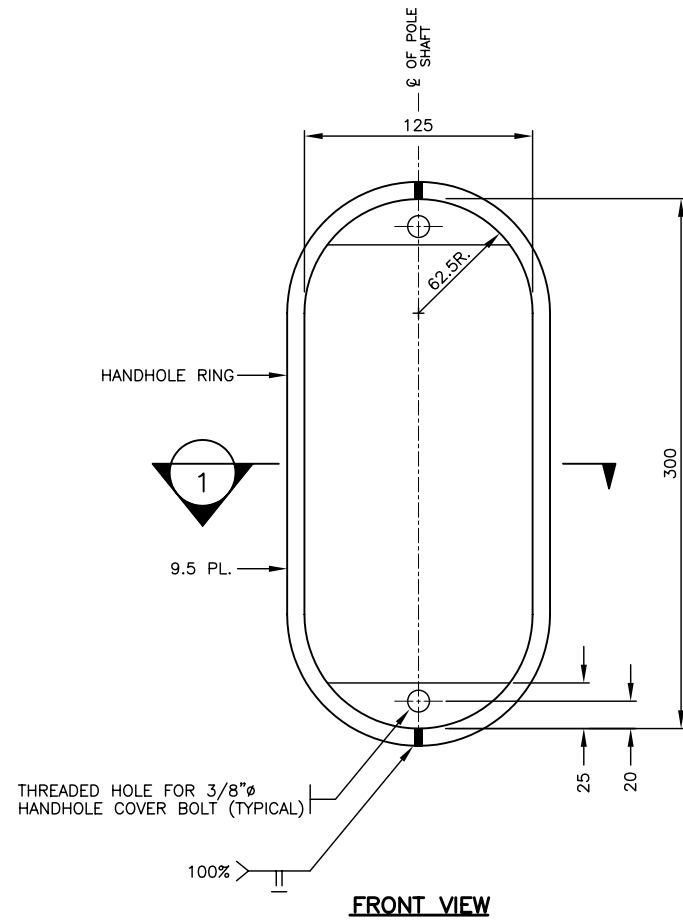
SECTION 1



ASSEMBLY VIEW

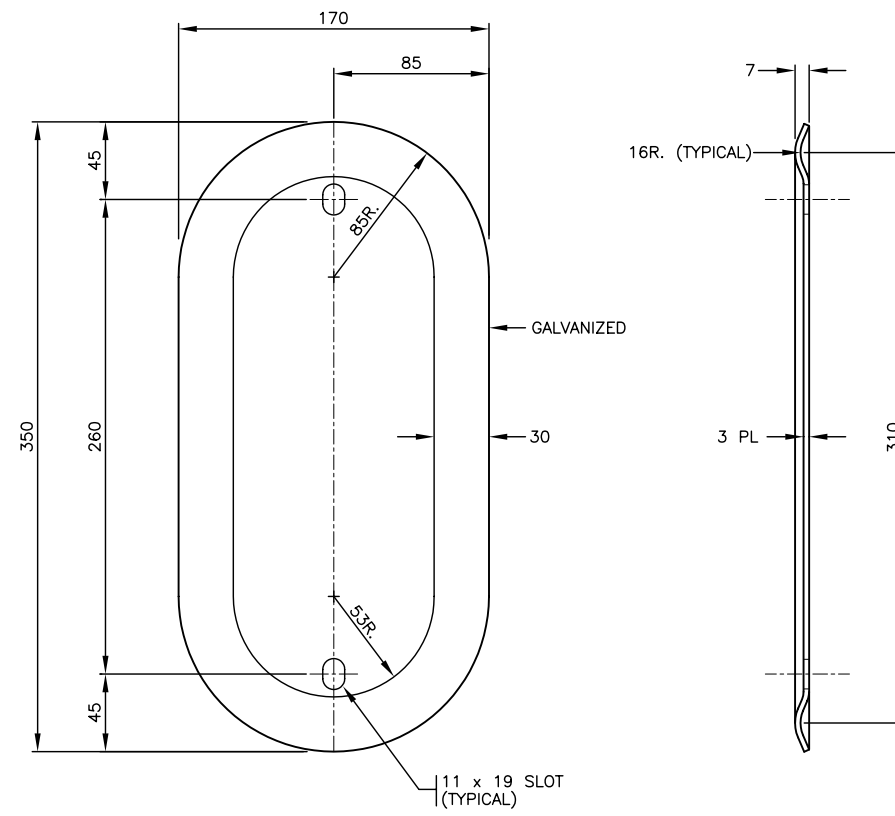


TOP VIEW



FRONT VIEW

HANDHOLE RING DETAILS



FRONT VIEW

SIDE VIEW

HANDHOLE COVER DETAILS

NOTES

1. SEE MATERIAL STANDARD SPECIFICATIONS CHAPTER 301 - TRAFFIC SIGNAL, LUMINAIRE, AND SIGN POLE STRUCTURES FOR ADDITIONAL INFORMATION.
2. ALL DIMENSIONS ARE IN MILLIMETRES UNLESS OTHERWISE NOTED.
3. 'SN' DENOTES MINISTRY STOCK NUMBER.
4. HANDHOLE COVERS SHALL BE GALVANIZED.

NOT TO SCALE

| No. | Description | Date | LARGE HANDHOLE | |
|-----|-------------------|-------|--|--|
| J | | | DETAILS Ministry of Transportation and Highways Drawing No. MS317.2 | |
| I | | | | |
| H | | | | |
| G | | | | |
| F | | | | |
| E | | | | |
| D | | | | |
| C | | | | |
| B | | | | |
| A | GENERAL REVISIONS | AUG96 | | |