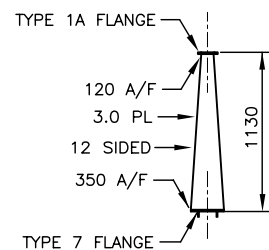
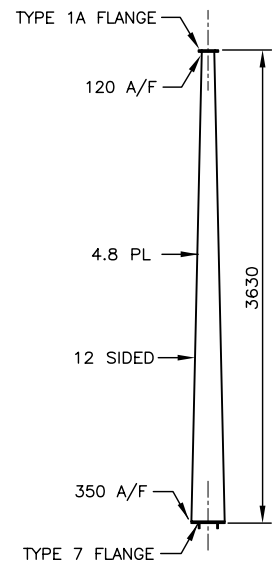
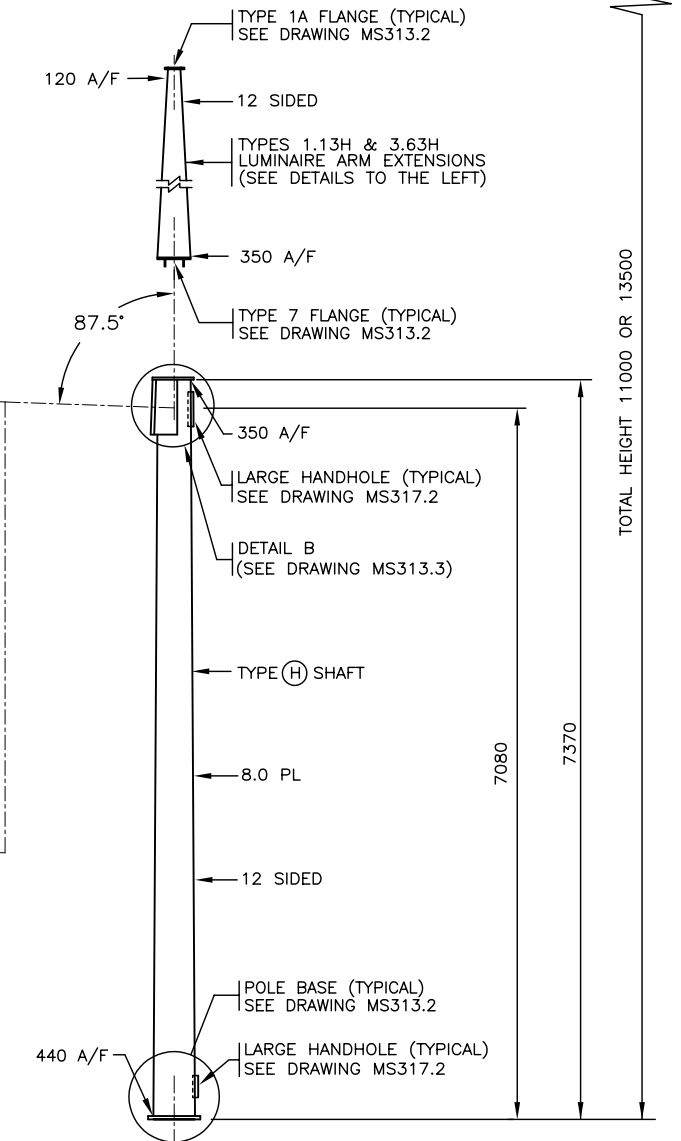
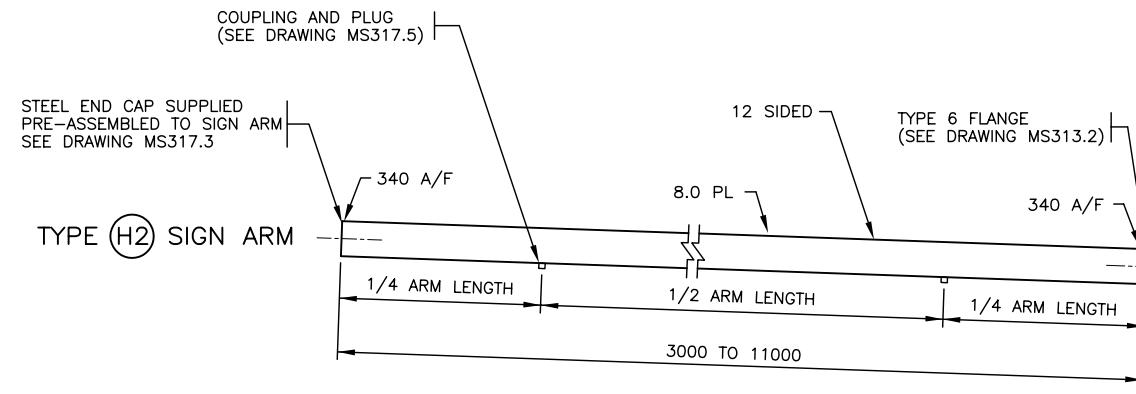
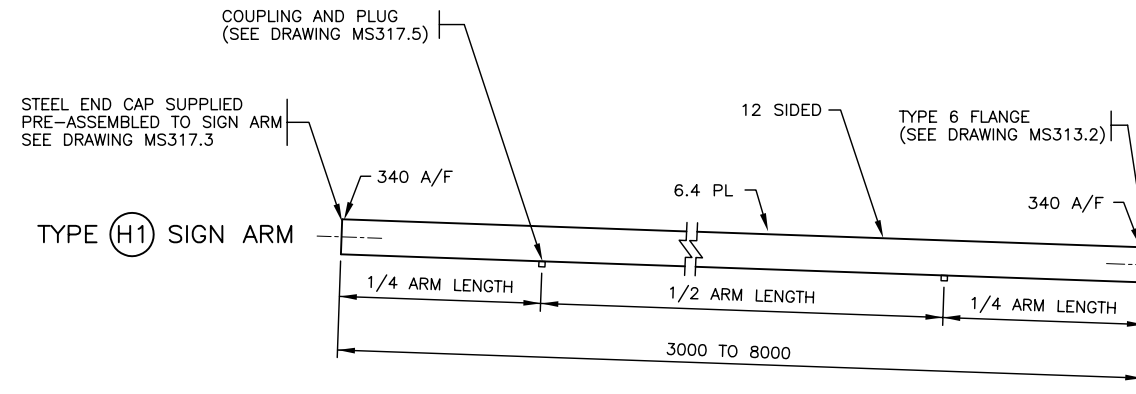
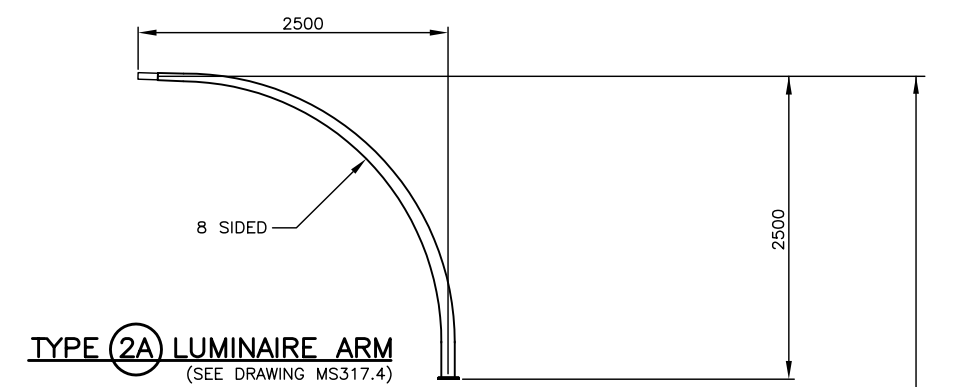
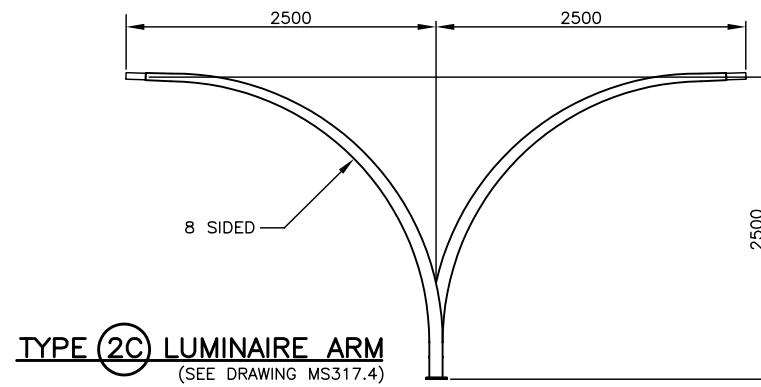


PARTS LIST FOR TYPE H SIGNAL POLE		
PART	MINISTRY STOCK NUMBER	APPROX. MASS (kg)
TYPE H POLE SHAFT	SN2077	870
TYPE H1 SIGN ARM (6.4mm)	SN2099	73 PER METRE
TYPE H2 SIGN ARM (8.0mm)	SN2100	86 PER METRE
TYPE 3.63H EXTENSION - 3.63 m	SN2078	118
TYPE 1.13H EXTENSION - 1.13 m	SN2079	36
TYPE 2A LUMINAIRE ARM	SN1832	35
TYPE 2C LUMINAIRE ARM	SN1833	65
TYPE 1 FLANGE COVER PLATE	SN1367	1.5
TYPE 6 FLANGE COVER PLATE	SN2087	12
TYPE 7 FLANGE COVER PLATE	SN2088	6
POST TOP TENON	SN1831	5
TYPE H BOLT KIT	SN2092	16

**NOTES**

- SEE MATERIAL STANDARD SPECIFICATIONS CHAPTER 301 - TRAFFIC SIGNAL, LUMINAIRE, AND SIGN POLE STRUCTURES FOR ADDITIONAL INFORMATION.
- SEE DRAWING MS313.5 FOR BOLT KIT DETAILS.
- SEE DRAWING MS317.6 FOR POST TOP TENON DETAIL.
- SEE DRAWING MS317.5 AND .6 FOR FLANGE COVER PLATE DETAILS.
- ALL DIMENSIONS ARE IN MILLIMETRES UNLESS OTHERWISE NOTED.
- 'SN' DENOTES MINISTRY STOCK NUMBER.



'A/F' DENOTES ACCROSS THE FLATS

NOT TO SCALE

No.	Description	Date
J		
I		
H		
G		
F		
E		
D		
C		
B		
A	GENERAL REVISIONS	
REVISION		

**TYPE H SHAFTS, ARMS AND EXTENSIONS**

**ELEVATIONS**



Drawing No. **MS313.1**

**A**