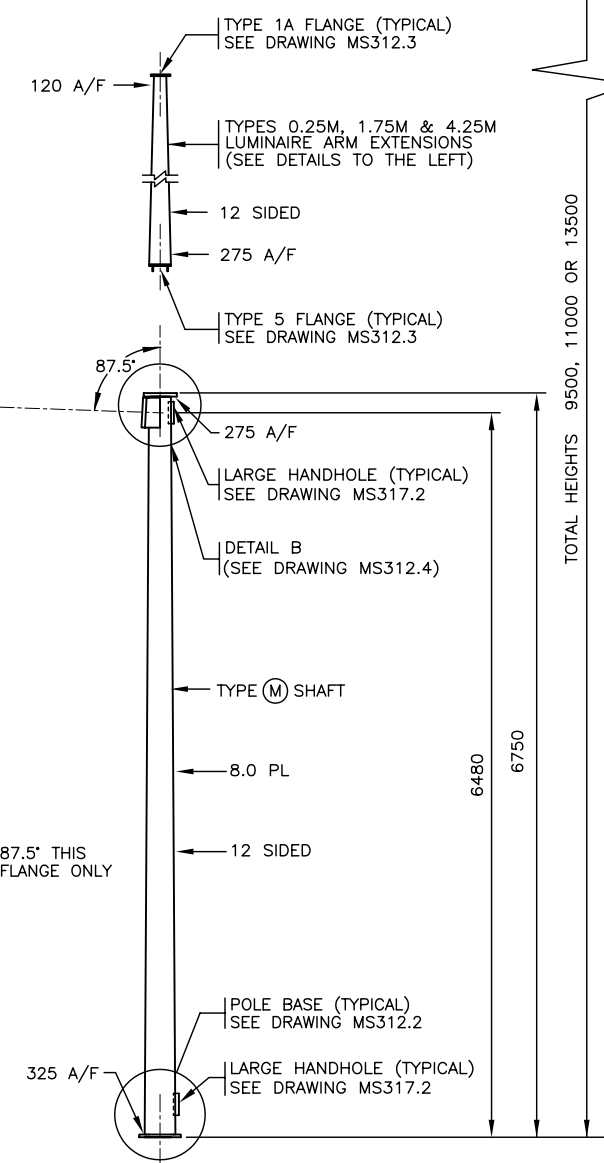
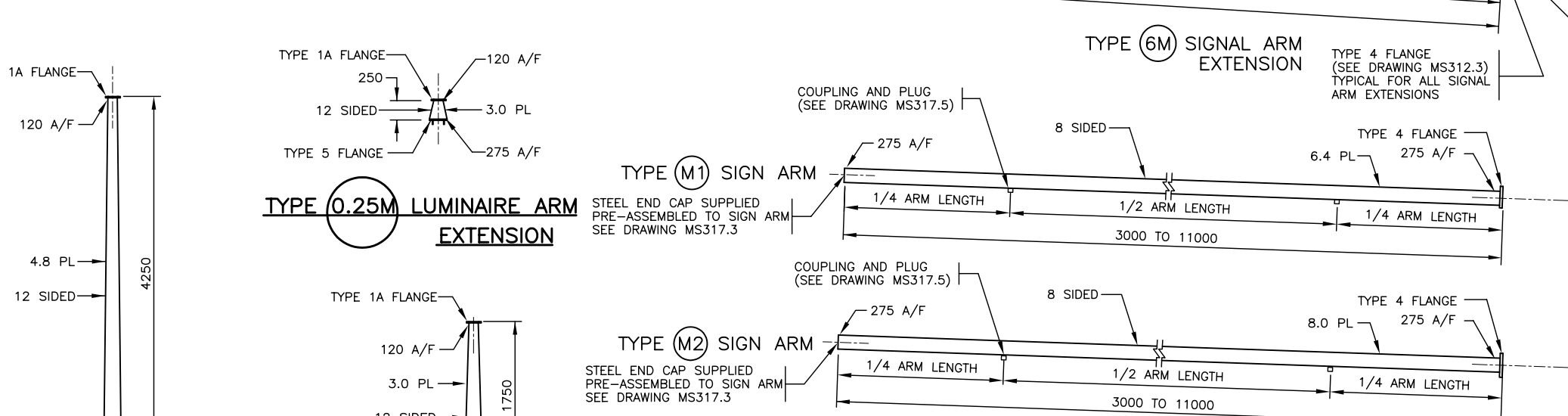
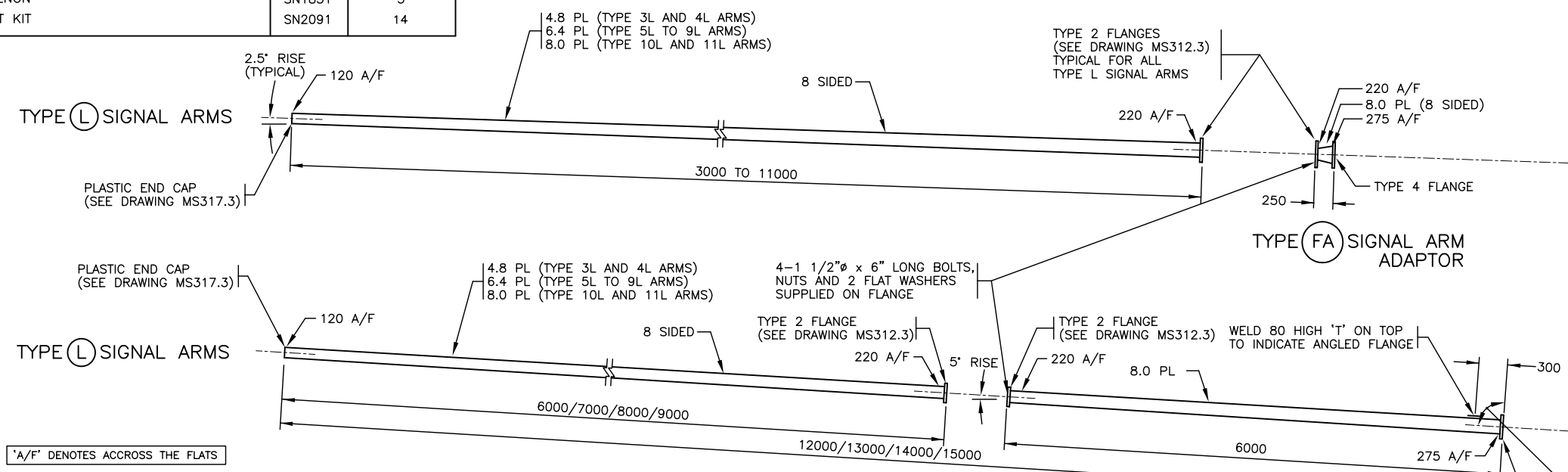
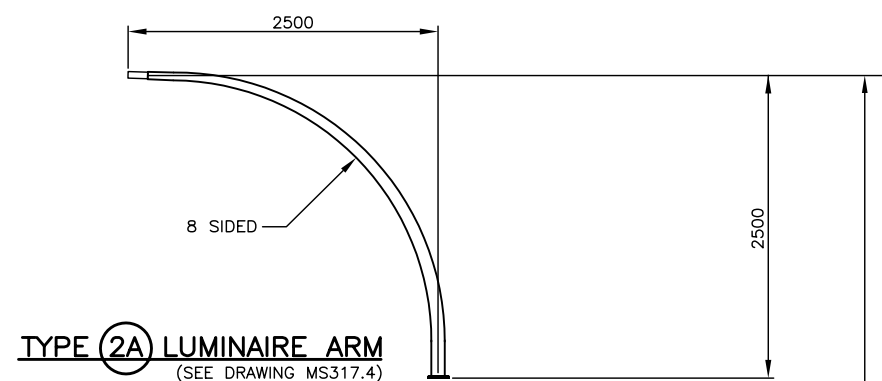
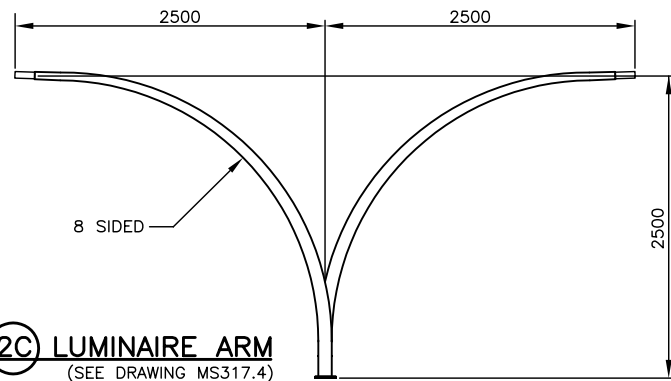
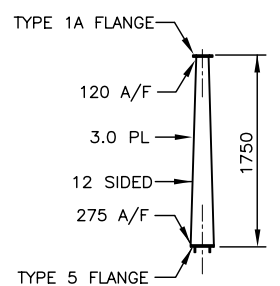
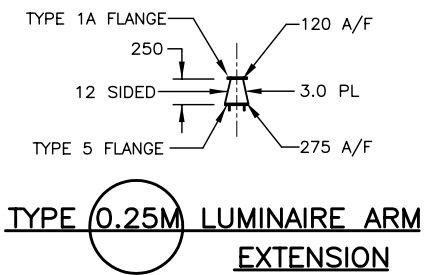
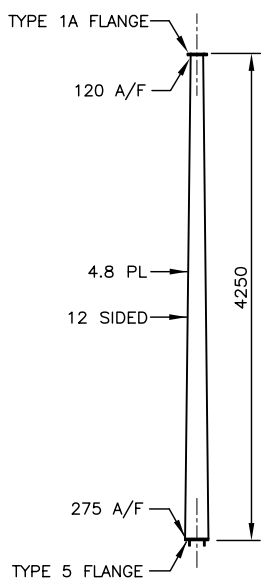


PARTS LIST FOR TYPE M SIGNAL/SIGN POLE

PART	MINISTRY STOCK NUMBER	APPROX. MASS (kg)
TYPE M POLE SHAFT	SN2070	565
TYPE 3L SIGNAL ARM - 3.0 m	SN2053	97
TYPE 4L SIGNAL ARM - 4.0 m	SN2054	118
TYPE 5L SIGNAL ARM - 5.0 m	SN2055	173
TYPE 6L SIGNAL ARM - 6.0 m	SN2056	201
TYPE 7L SIGNAL ARM - 7.0 m	SN2057	229
TYPE 8L SIGNAL ARM - 8.0 m	SN2058	257
TYPE 9L SIGNAL ARM - 9.0 m	SN2059	284
TYPE 10L SIGNAL ARM - 10.0 m	SN2060	377
TYPE 11L SIGNAL ARM - 11.0 m	SN2061	410
TYPE 6M SIGNAL ARM EXTENSION - 6.0 m	SN2071	360
TYPE M1 SIGN ARM (6.4mm)	SN2097	55 PER METRE
TYPE M2 SIGN ARM (8.0mm)	SN2098	65 PER METRE
TYPE 4.25M LUMINAIRE ARM EXTENSION - 4.25 m	SN2072	115
TYPE 1.75M LUMINAIRE ARM EXTENSION - 1.75 m	SN2073	38
TYPE 0.25M LUMINAIRE ARM EXTENSION - 0.25 m	SN2074	14
TYPE 2A LUMINAIRE ARM	SN1832	35
TYPE 2C LUMINAIRE ARM	SN1833	65
TYPE 1 FLANGE COVER PLATE	SN1367	1.5
TYPE 3 FLANGE COVER PLATE	SN2084	4
TYPE 4 FLANGE COVER PLATE	SN2085	8
TYPE 5 FLANGE COVER PLATE	SN2086	4
TYPE 4 TO 2 FLANGE ADAPTOR (FA)	SN2080	75
POST TOP TENON	SN1831	5
TYPE M BOLT KIT	SN2091	14



TOTAL HEIGHTS 9500, 11000 OR 13500



- NOTES
- SEE MATERIAL STANDARD SPECIFICATIONS CHAPTER 301 - TRAFFIC SIGNAL, LUMINAIRE, AND SIGN POLE STRUCTURES FOR ADDITIONAL INFORMATION.
 - SEE DRAWING MS312.6 FOR BOLT KIT DETAILS.
 - SEE DRAWING MS317.6 FOR POST TOP TENON DETAIL.
 - SEE DRAWING MS317.5 AND .6 FOR FLANGE COVER PLATE DETAILS.
 - ALL DIMENSIONS ARE IN MILLIMETRES UNLESS OTHERWISE NOTED.
 - 'SN' DENOTES MINISTRY STOCK NUMBER.

NOT TO SCALE

No.	Description	Date
J		
I		
H		
G		
F		
E		
D		
C		
B		
A	GENERAL REVISIONS	
	REVISION	

TYPE M SHAFTS, ARMS AND EXTENSIONS

ELEVATIONS



Ministry of Transportation and Highways
Drawing No. MS312.1 A