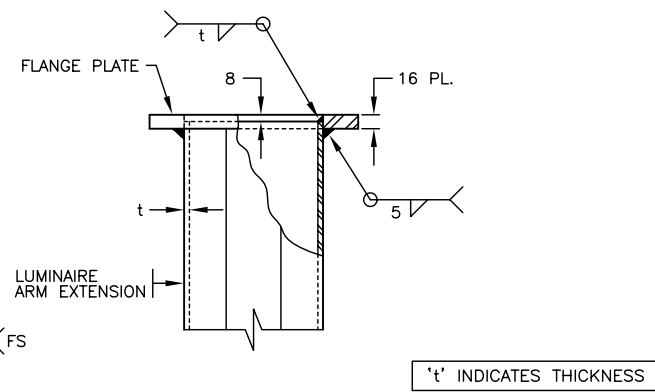
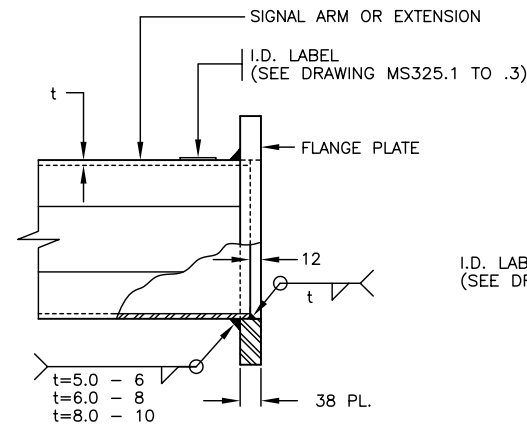


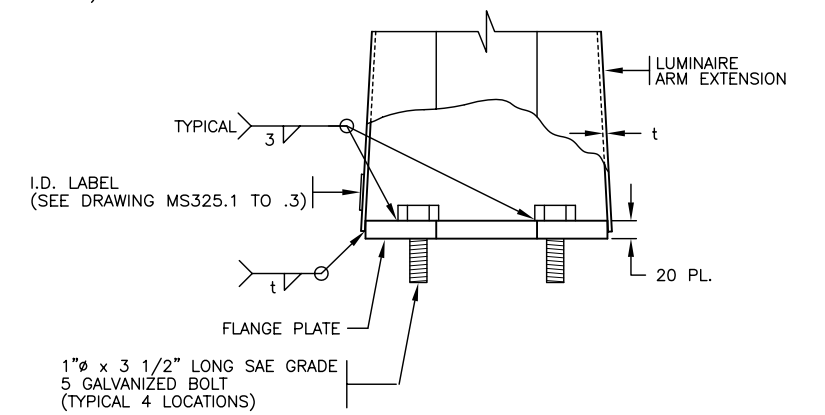
**TYPE L SHAFT BASE - SIDE VIEW**



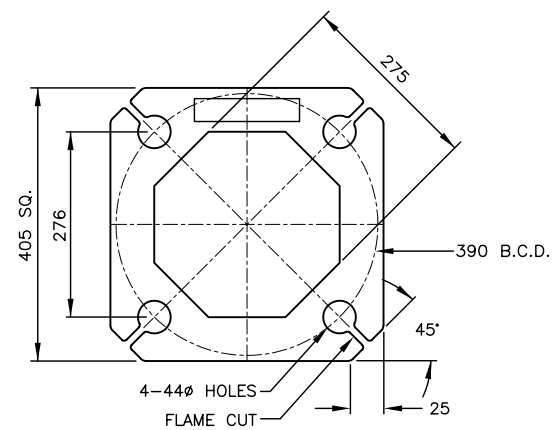
**TYPE 1 FLANGE WELDING DETAILS**



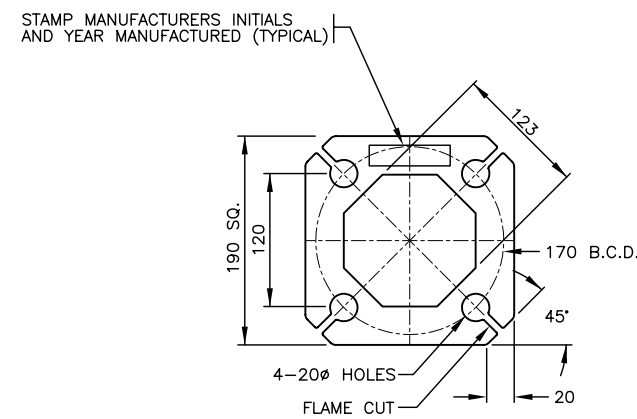
**TYPE 2 FLANGE WELDING DETAILS**



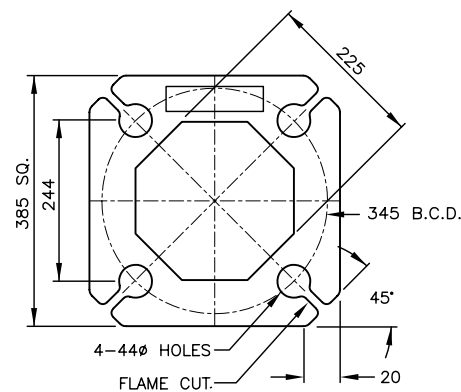
**TYPE 3 FLANGE WELDING DETAILS**



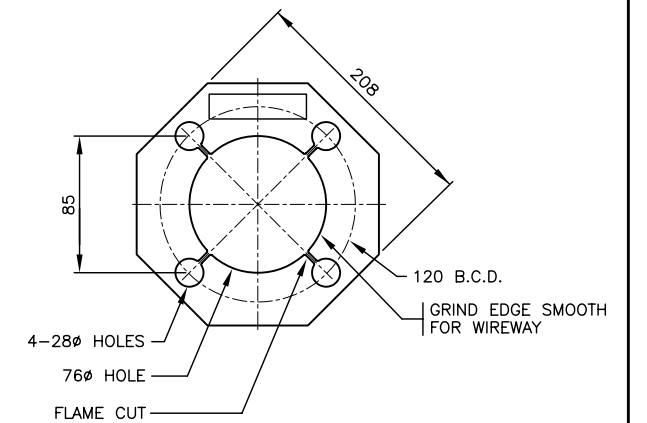
**TYPE L BASE PLATE - PLAN VIEW**



**TYPE 1 FLANGE - PLAN VIEW**



**TYPE 2 FLANGE - PLAN VIEW**



**TYPE 3 FLANGE - PLAN VIEW**

SEE DRAWING MS311.1 FOR NOTES

NOT TO SCALE

No.	Description	Date
J		
I		
H		
G		
F		
E		
D		
C		
B		
A		

**TYPE L SHAFTS, ARMS, EXTENSIONS**

**POLE BASE AND FLANGE DETAILS**



Ministry of Transportation and Highways

Drawing No.

**MS311.2**

REVISION