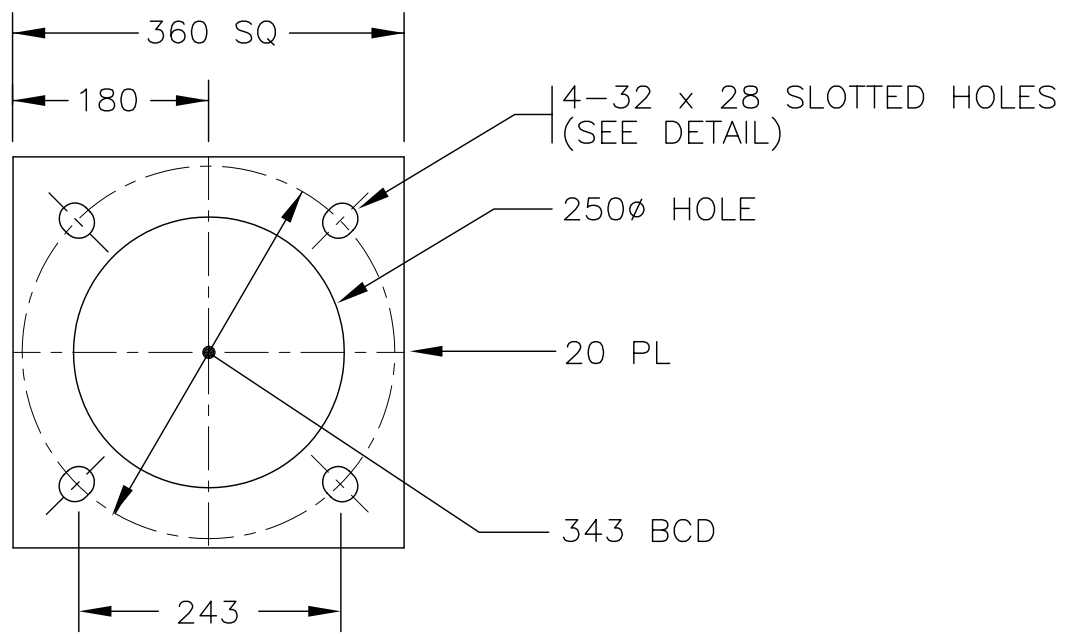
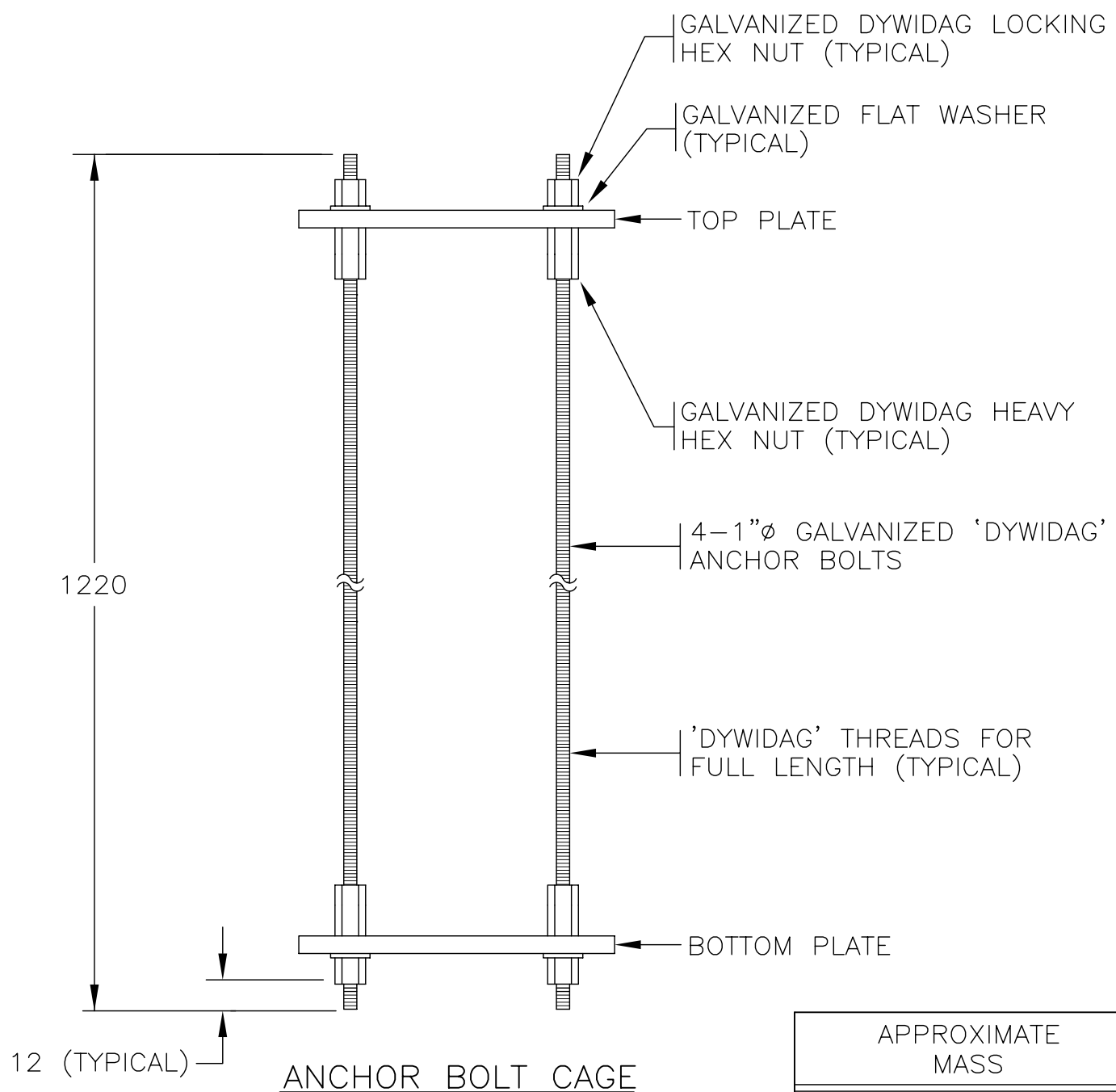


SLOTTED HOLE DETAIL



TOP AND BOTTOM PLATES



ANCHOR BOLT CAGE
SN1841A

APPROXIMATE MASS
60 kg

NOTES:

1. SEE MATERIAL STANDARD SPECIFICATIONS CHAPTER 301 - TRAFFIC SIGNAL, LUMINAIRE AND SIGN POLE STRUCTURES FOR ADDITIONAL INFORMATION.
2. ALL DIMENSIONS ARE IN MILLIMETRES UNLESS OTHERWISE NOTED.
3. 'SN' DENOTES MINISTRY STOCK NUMBER.

SCALE 1:10

No.	Revision	Date	ANCHOR BOLT CAGE DETAILS FOR TYPE 6, 7 AND S POLES	
F			 BRITISH COLUMBIA	Ministry of Transportation and Highways
E				
D				
C				
B				
A				SPECIFICATION DRAWING No. MS300.3